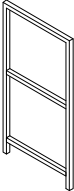
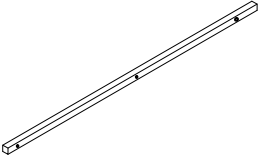
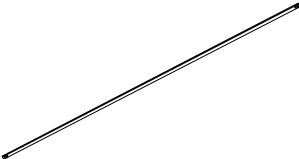
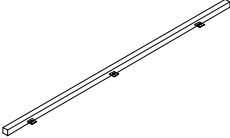
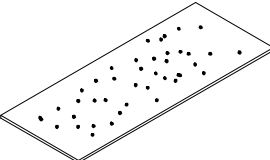
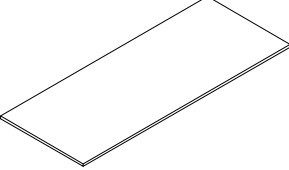
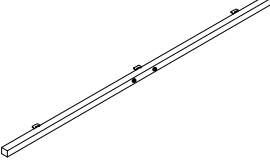

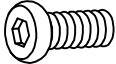

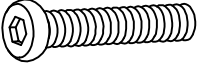


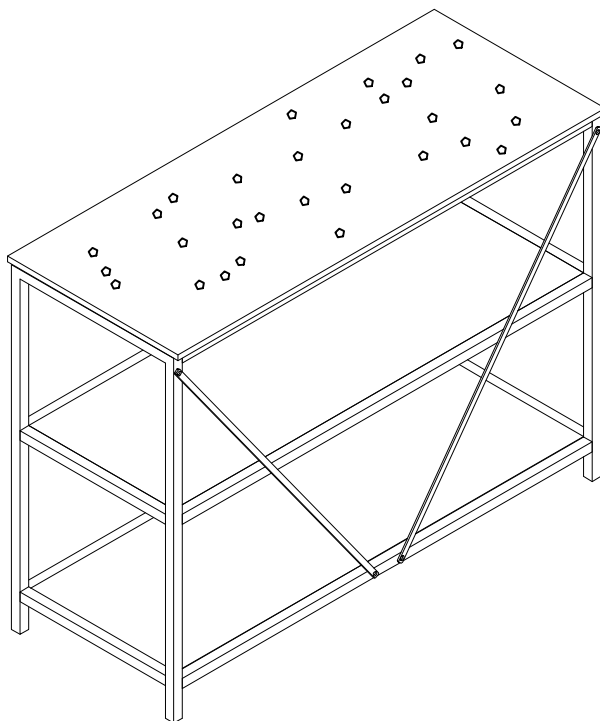
Assembly Instruction

Parts List

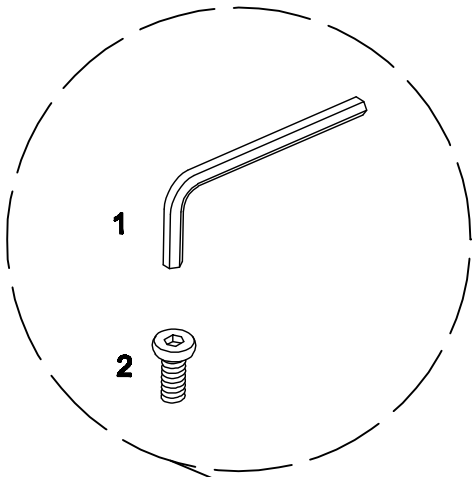
Item	Description	Part	Qty Pcs	
A	Left and right side panels		2	
B	Top RAIL		2	
C	Back iron plate		2	
D	Laminated connecting rod		3	
F	Top panel		1	
G	Layer board		2	
H	Laminated connecting rod		1	1 page 6


Hardware List

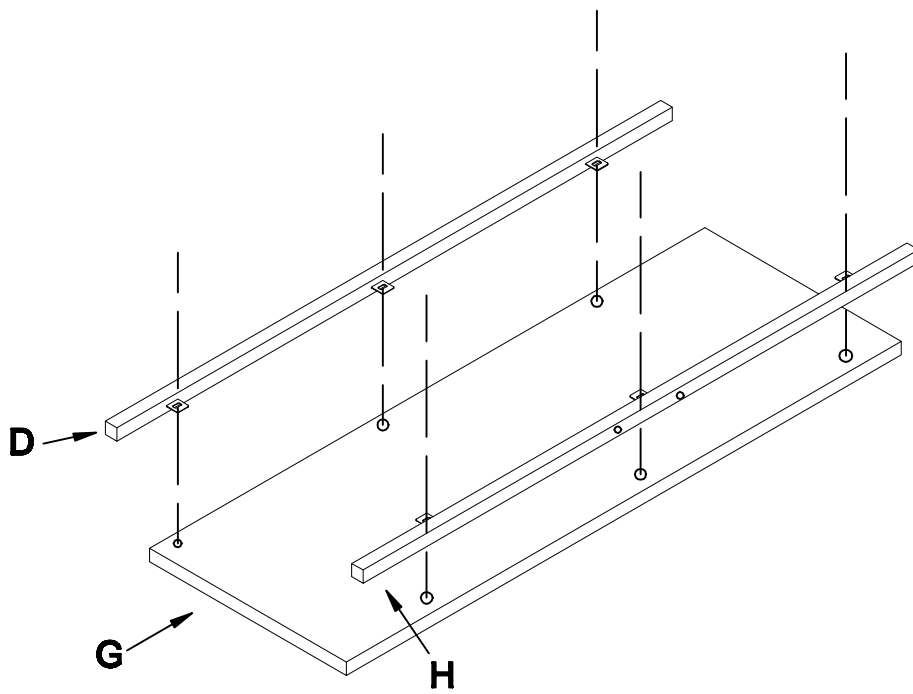
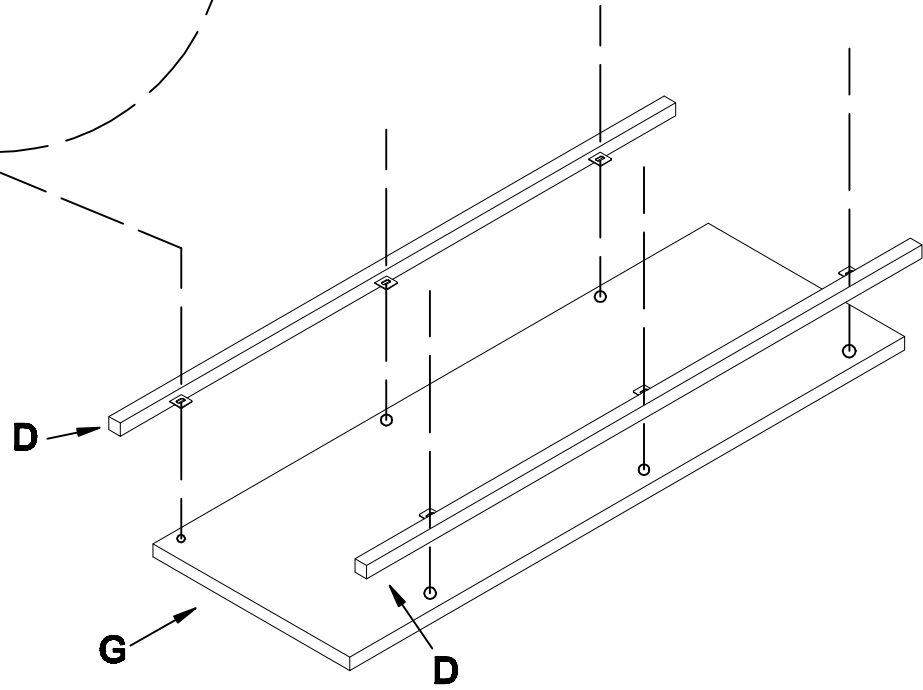
Item	Description	Part	Qty Pcs
1	Allen Wrench		1
2	Bolt	 M6*10MM	16+1
3	Bolt	 M6*40MM	12
4	Bolt	 M6*28MM	8




STEP 1

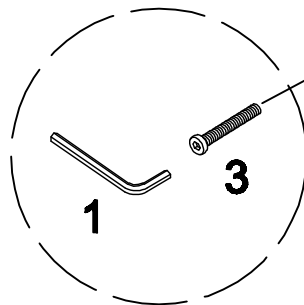
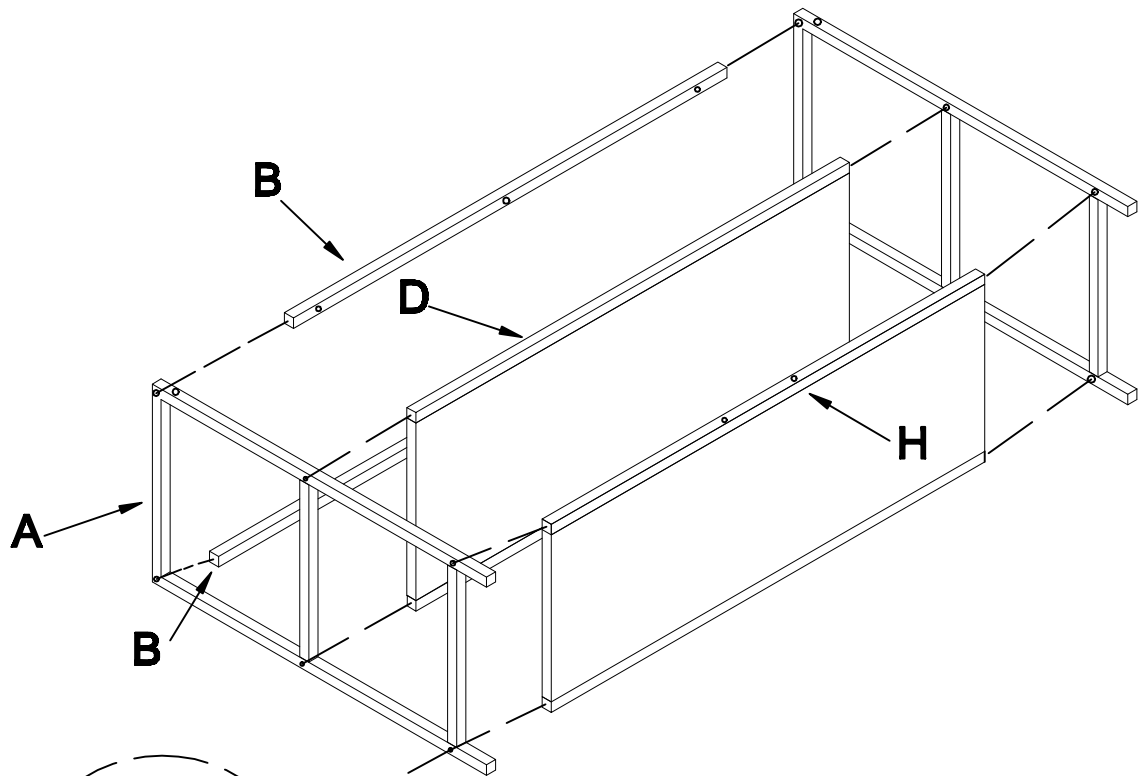


2	Bolt	 M6*10MM	12
---	------	--	----




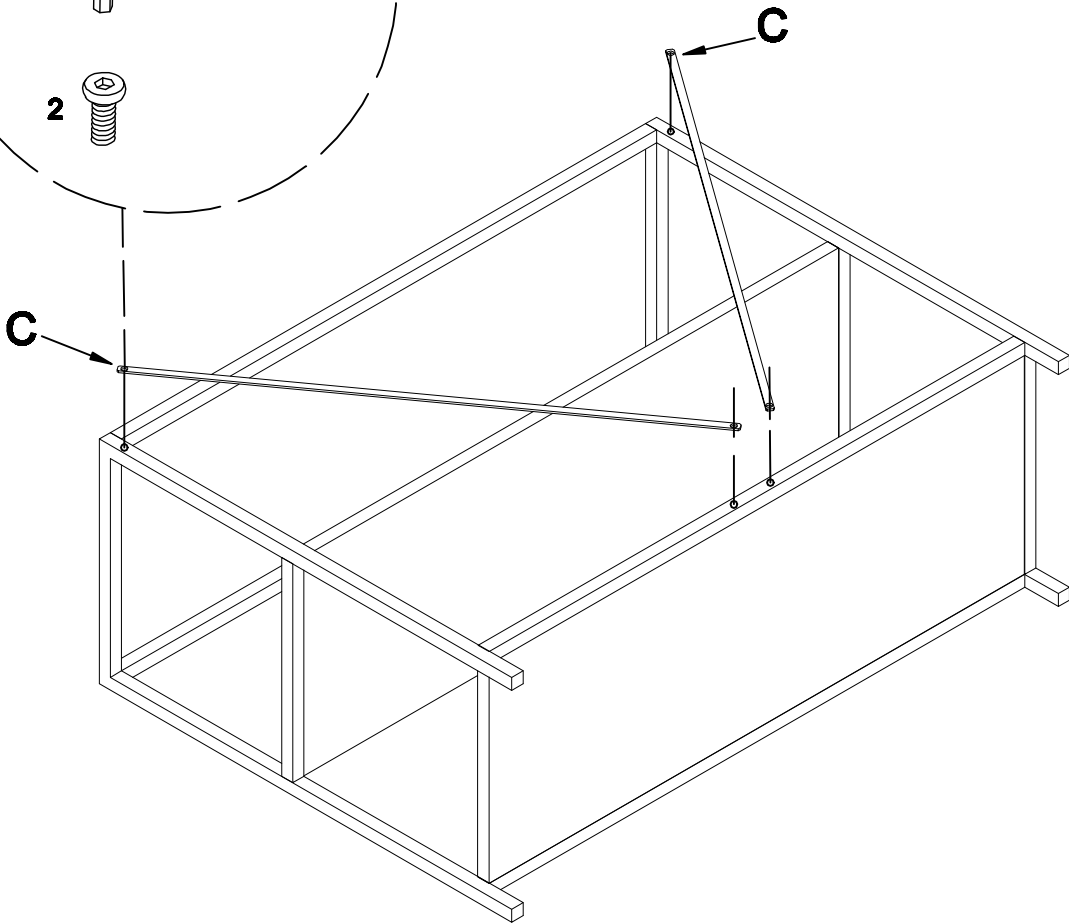
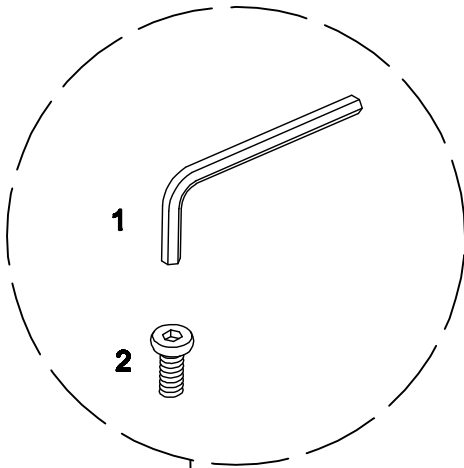
STEP 2

3	Bolt	 M8*40MM	12
---	------	--	----




STEP 3

2	Bolt	 M6*10MM	4
---	------	--	---



STEP 4

4	Bolt	 M6*28MM	8
---	------	--	---

