

### Important Safety Instructions:

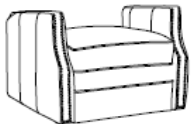
- Please read all instructions carefully before assembling.
- For your safety, assembly by two or more adults is strongly recommended.
- Keep instructions for future use.
- Use only vendor supplied hardware to assemble. Using unauthorized hardware could jeopardize the structural integrity of the item.

### Pre-assembly:

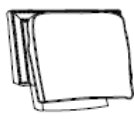
- Remove all parts and hardware from the box and lay out on a clear carpeted or scratch-free work surface, as this will avoid damaging parts during assembly. The shipping box provides an ideal work surface.
- Do not dispose of any packaging or contents of the shipping carton until assembly is completed to avoid accidentally discarding small parts or hardware.
- Use the parts and hardware lists below to identify and separate each of the pieces included.
- The illustrations provided allow for easier assembly when used in conjunction with the assembly instructions.
- The use of power tools to aid in assembly is not recommended. Power tools can damage hardware and split wood.

### Parts Included:

(A) Seat	1x
(B) Backrest	1x
(C) Plastic Washer	4x
(D) Front Leg	2x
(E) Rear Leg	2x



**Ax1**



**Bx1**



**Cx4**



**Dx2**

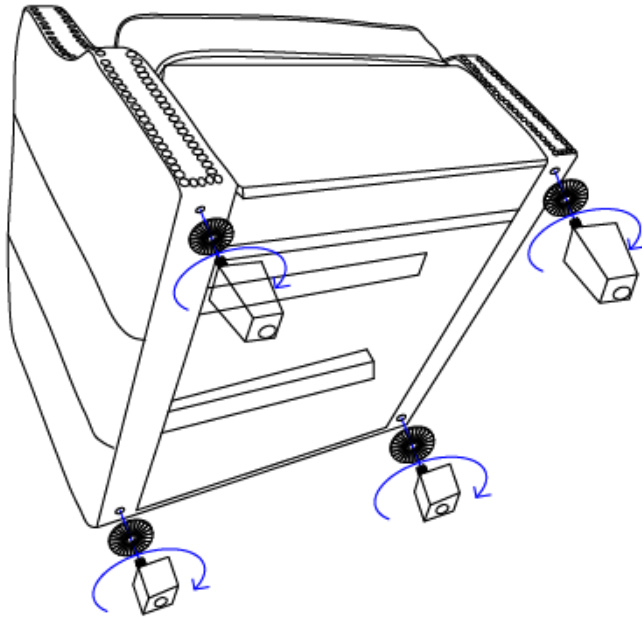


**Ex2**

**Assembly Instruction Steps:**

1. Carefully turn the Seat (A) onto its side lying on a smooth scratch free surface. Screw the front Legs (D) and rear legs (E) through the plastic washer (C) into Seat (A) as shown. Then carefully turn the seat upright.

**NOTE: Front legs (D) is higher than rear legs (E), they are not interchangeable.**



2. Attach Backrest (B) to the Seat (A) by sliding Bracket, pressing firmly to lock the retaining piece into place.

