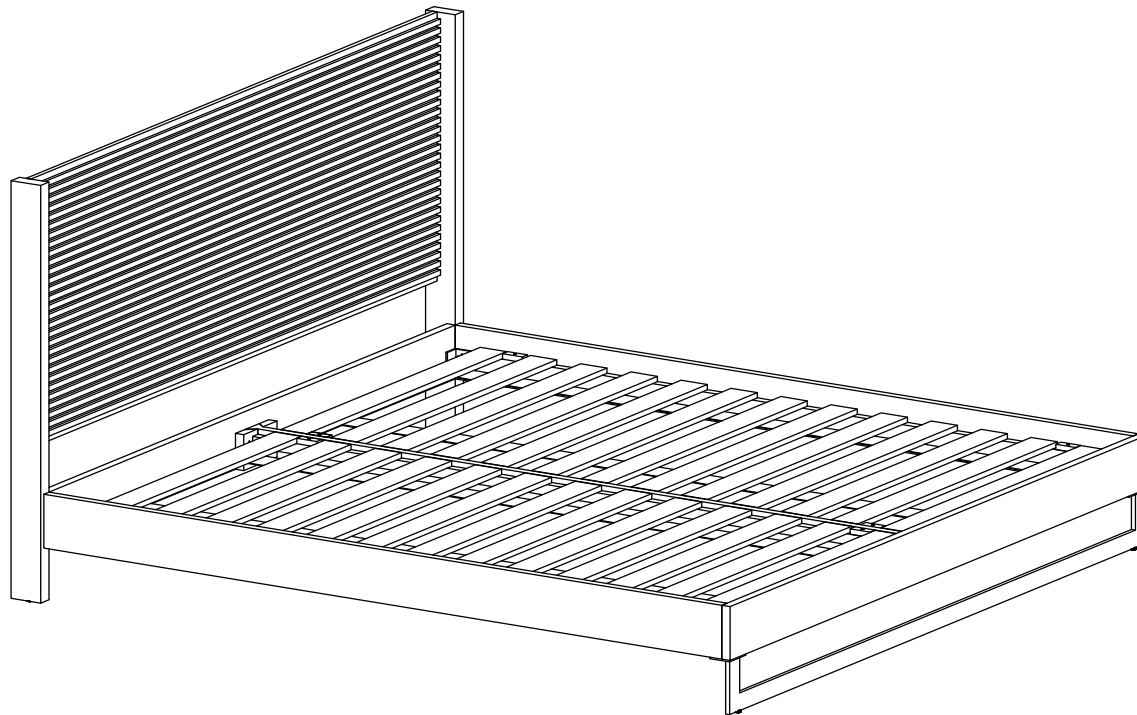


# ASSEMBLY INSTRUCTIONS.

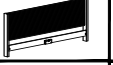


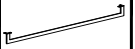

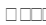


QUEEN BED








THANK YOU FOR YOUR PURCHASE!

# PARTS AND HARDWARE.

## PARTS LIST

NO.	DESCRIPTION	IMAGE	Q'TY
A	Headboard		1
B	Side Rail		2
C	Footboard		1
D	Leg		1
E	Center Support		1
F	 Leg		1
G	Slate		2

## HARDWARES LIST

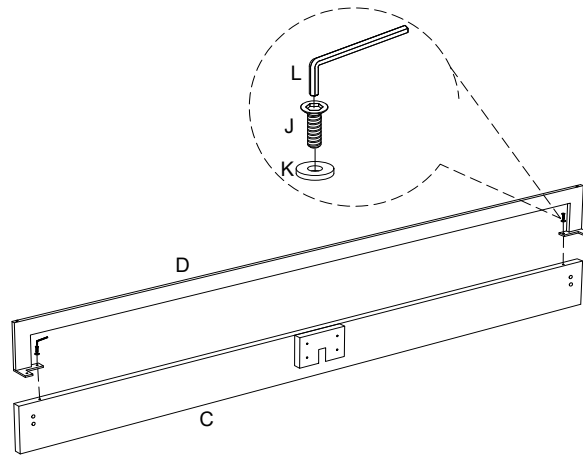
NO.	DESCRIPTION	IMAGE	Q'TY
H	HEX BOLT(M20x8)		8
I	SPANNER(16-17)		1
J	ALLEN BOLT(M20x8)		4
K	WASHER		4
L	ALLEN KEY(6mm)		1

## NOTES.

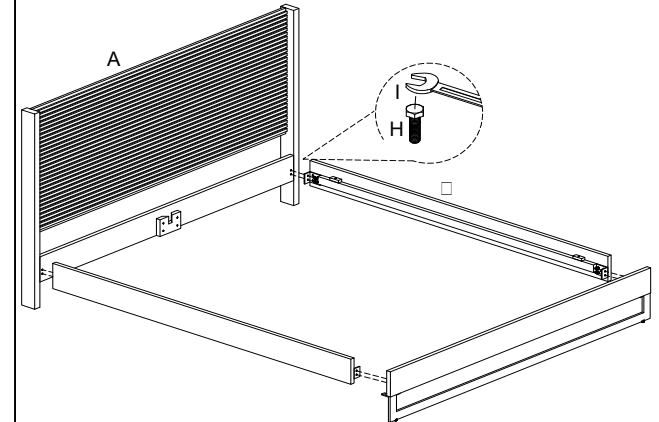
Thank you for purchasing this quality product! Be sure to check all packing material carefully for small part that may have come loose inside the carton during shipping.

**CAUTION:** The item is heavy, assembly should be performed by two people.

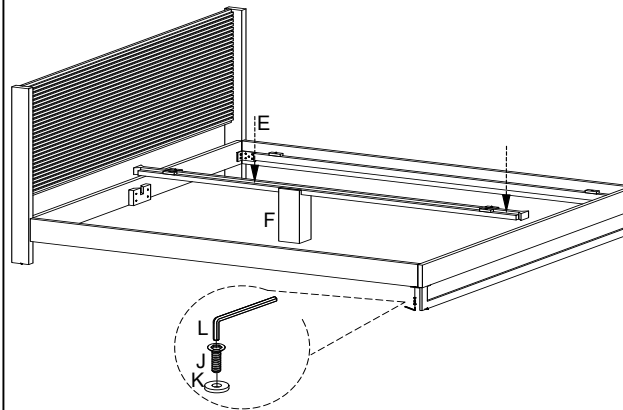
## STEP 1.



## STEP 2.



## STEP 3.



## STEP 4.

