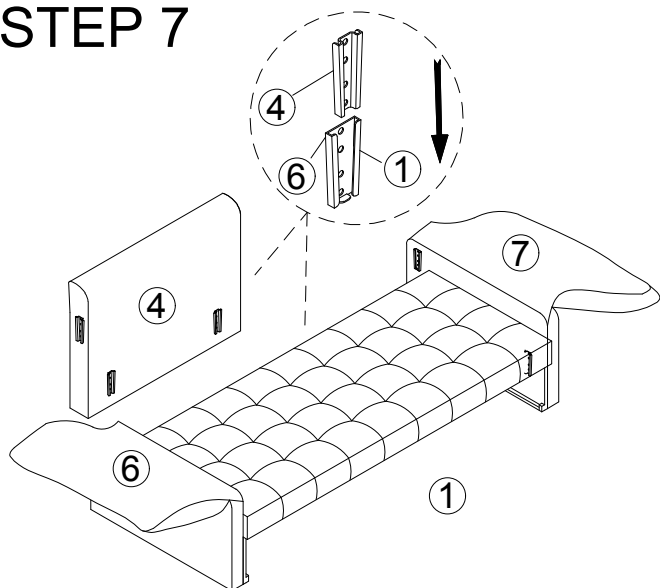


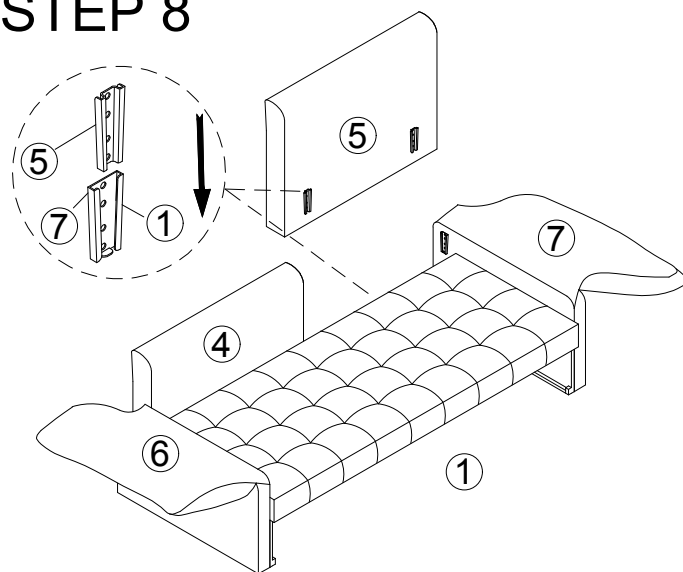
# ③ ASSEMBLY INSTRUCTION

## MODEL NO.HC5723

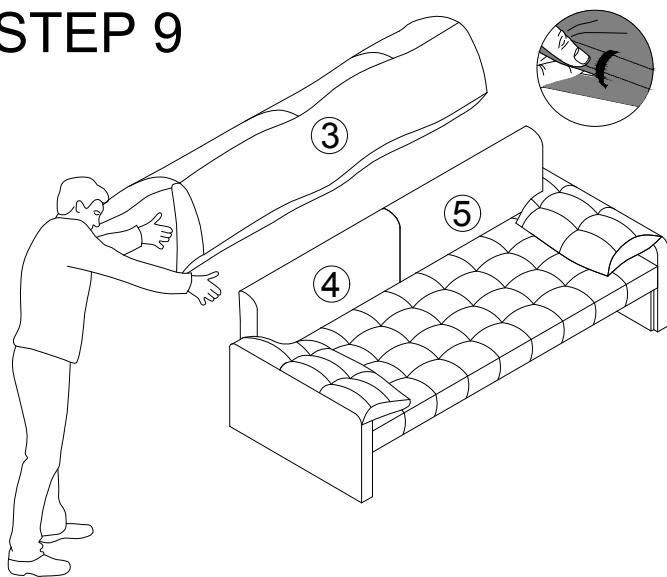
### STEP 7



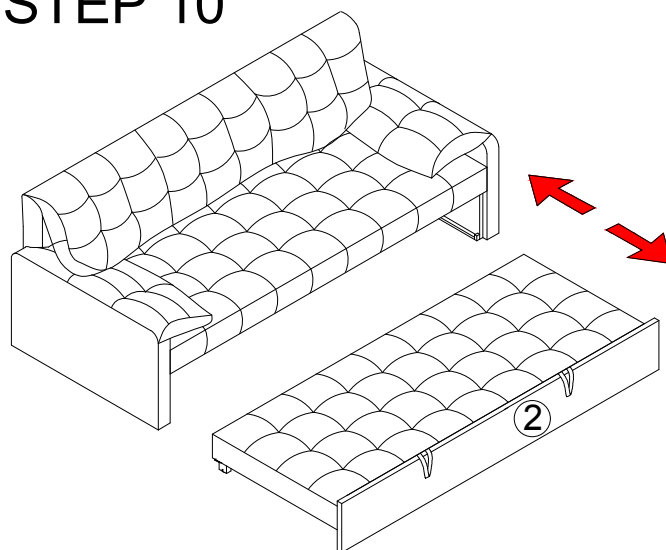
### STEP 8



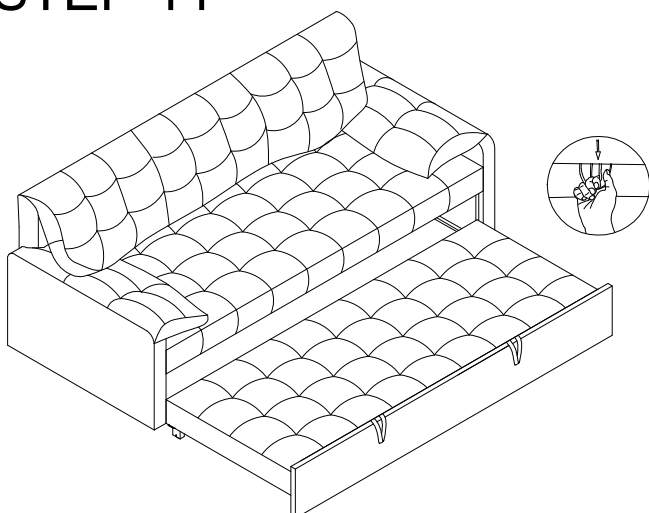
### STEP 9



### STEP 10



### STEP 11



### STEP 12

