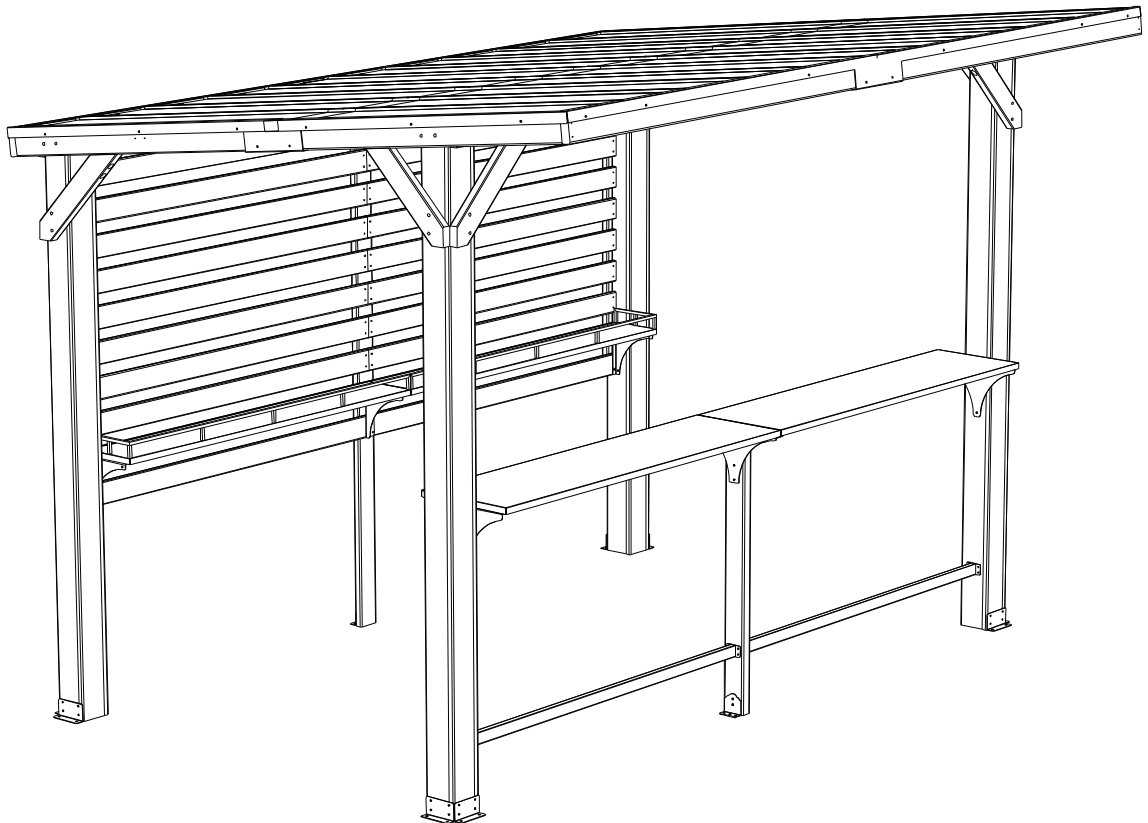


Outdoor Solid Wood Bar Gazebo 8 Ft x 10 Ft



For safety, assembly requires at least two adults.



After-sales mailbox:
Homefurnitureserviceteam@outlook.com

NOTICE

EN

Please keep these instructions for future reference.

Dear Customer

● Thank you for your purchase. When you receive the product, please make sure that all the parts are intact. If any parts are missing, please contact us promptly to request replacement parts.

● Then follow the entire installation instructions to install.

● Each part is crucial, so please be careful not to lose any. It is recommended to store parts with different lettered identifiers in separate boxes or bags to avoid confusion during installation.

A . The outer box is damaged

B . The product is damaged / bent / cracked while you open the box

C . The parts / accessories / assembly tools are missing

D . The instructions are not clear and can not be referred

E . The product has functional problems

F . Other aspects that you are not satisfied with





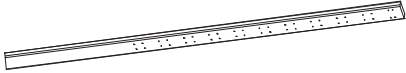






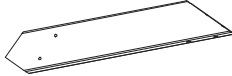


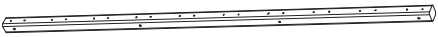




Please feel free to contact us for help, and provide the following information:





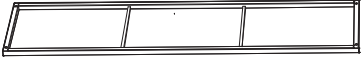
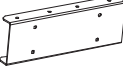




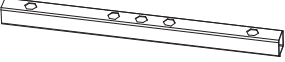
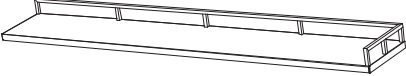
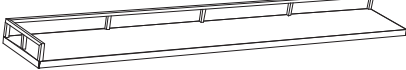

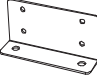


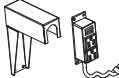

Platform/Shop name/Order id/Buyer's name/Receiver's address/Problem description/Problem pictures

(Homefurnitureserviceteam@outlook.com) will reply within 24 hours and will do our best to resolve the problem for you.




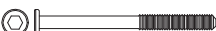



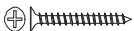

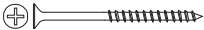









PART LIST

A1		1
A2		1
A3		1
A4		1
A5		1
A6		1
B1		2
B2		2
B3		4
C1		2
C2		2
D1		2
D2		2
D3		2
E		2
F		20
G1		1
G2		2
G3		2

G4		2
J1		4
J2		2
J3		2
K		2
L1		6
L2		2
L3		2
L4		1
L5		1
L6		2
M1		1
M2		1
P		10
S1		8
S2		2
U		1
V		1
W		1

STEP

H1		M6X15	26
H2		M6X50	9
H3		M8x50	36
H4		M8x80	6
H5		M6-16	68
H6		M8-18	42
H7		M4X25	196
H8		M4X40	84
H9		M4X16	15
H10		M4X60	21
H11		M6X16	10
H12		RUBBER	10

HQ1		4X140	12
HQ2		M8X70	10
HW1		4MM-100	2
HW2		10-14	2
HW3			1

WARNING

EN

Please do not tighten all the screws before the assembling is done.

DE

Bitte ziehen Sie alle Schrauben erst fest, wenn die Montage abgeschlossen ist.

FR

Veuillez ne pas serrer toutes les vis avant que l'assemblage ne soit terminé.

IT


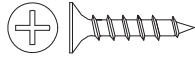

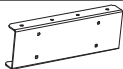
Si prega di non serrare tutte le viti prima che il montaggio sia completato.

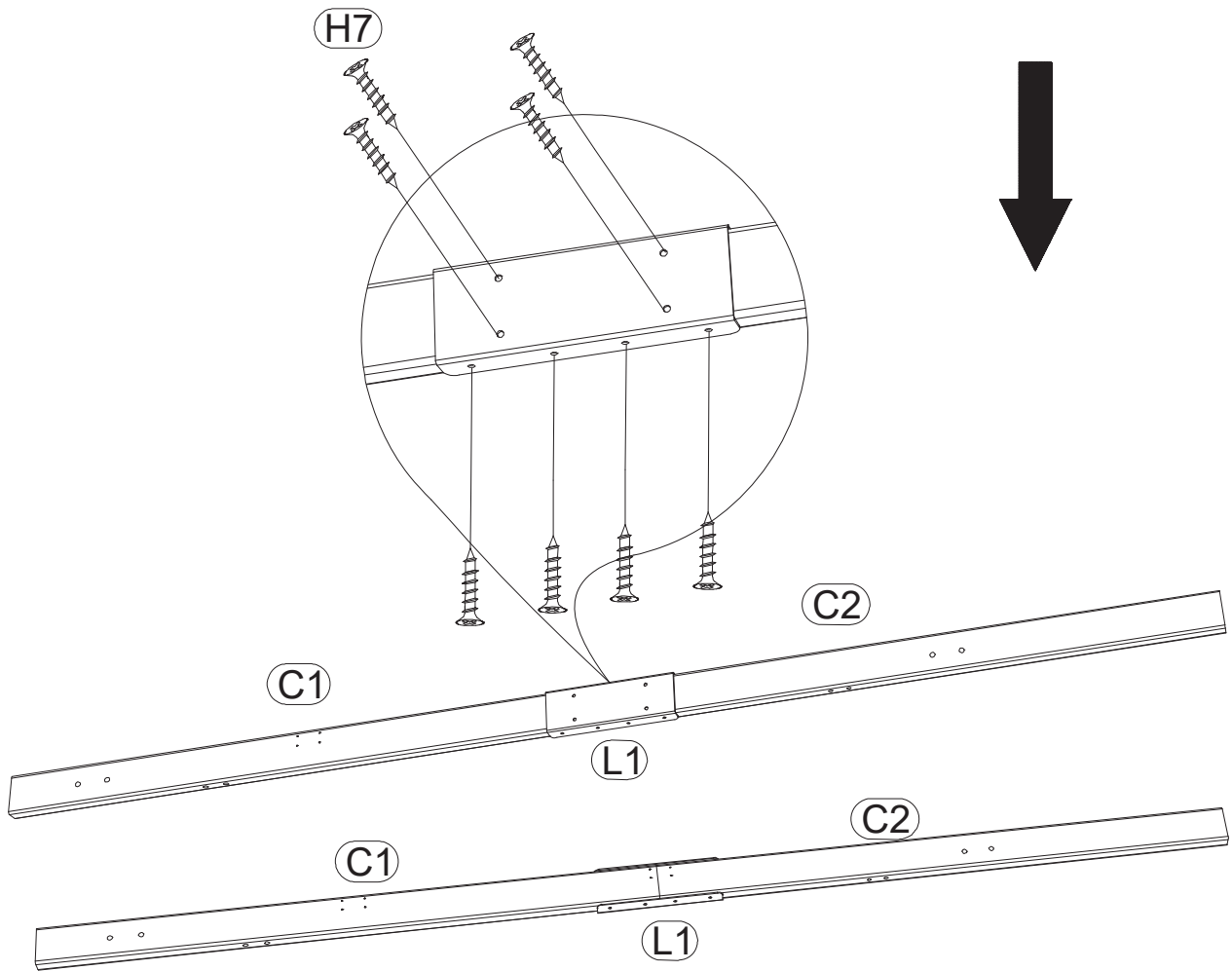
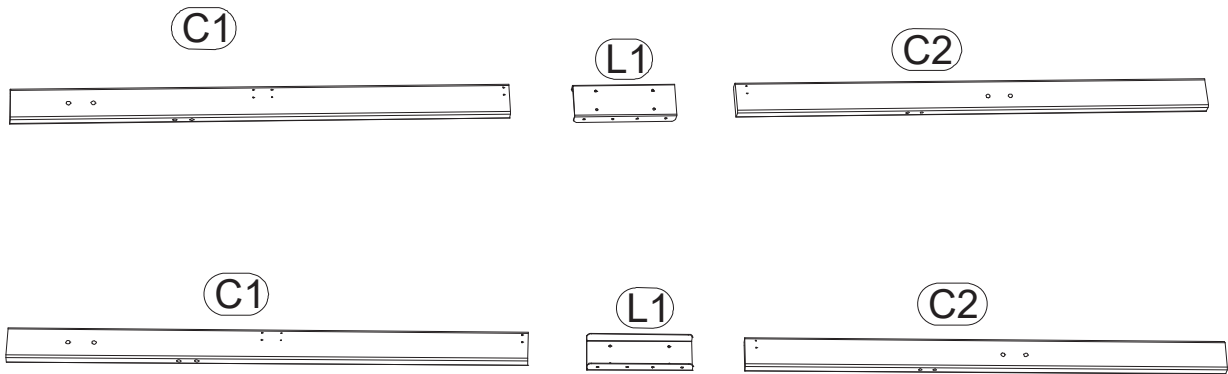
ES

Por favor, no apriete todos los tornillos antes de que el ensamblaje esté terminado.

STEP

01





C1		2	H7		M4X25	16
C2		2				
L1		2				

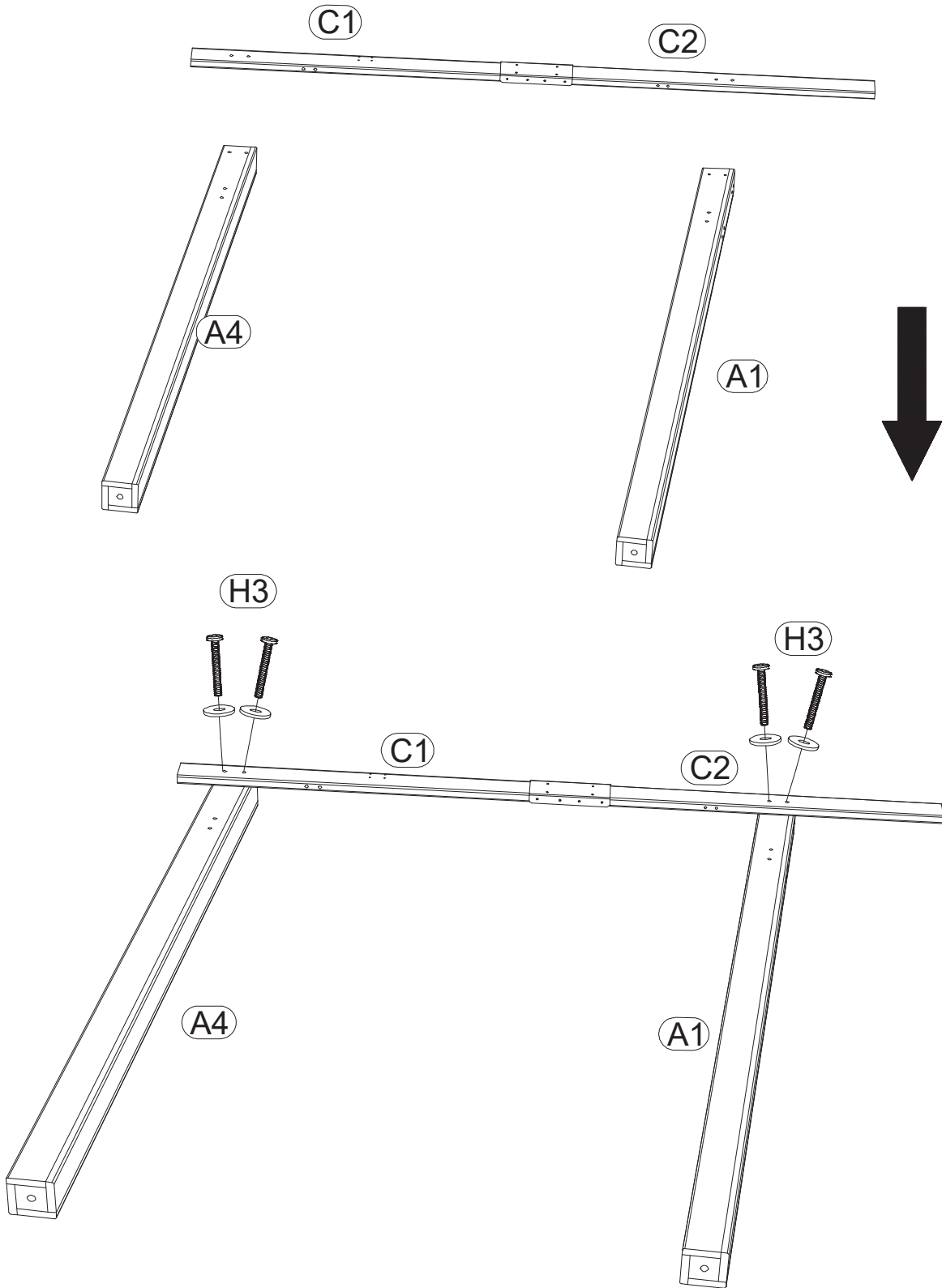


03

STEP



02


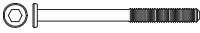

A1		1	H3		M8X50	4
A4		1	H6		M8-18	4

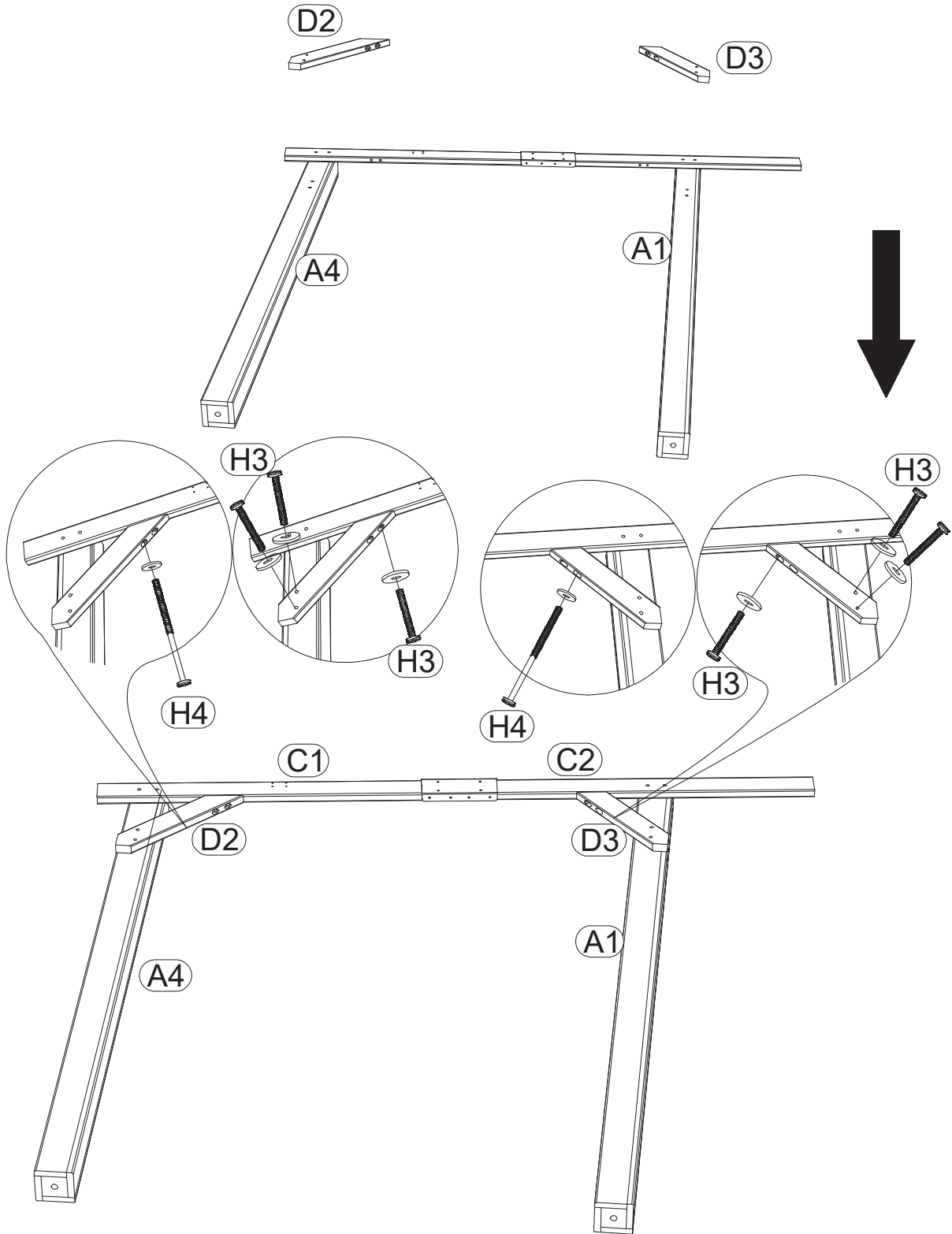


STEP

03





D3		1
D2		1

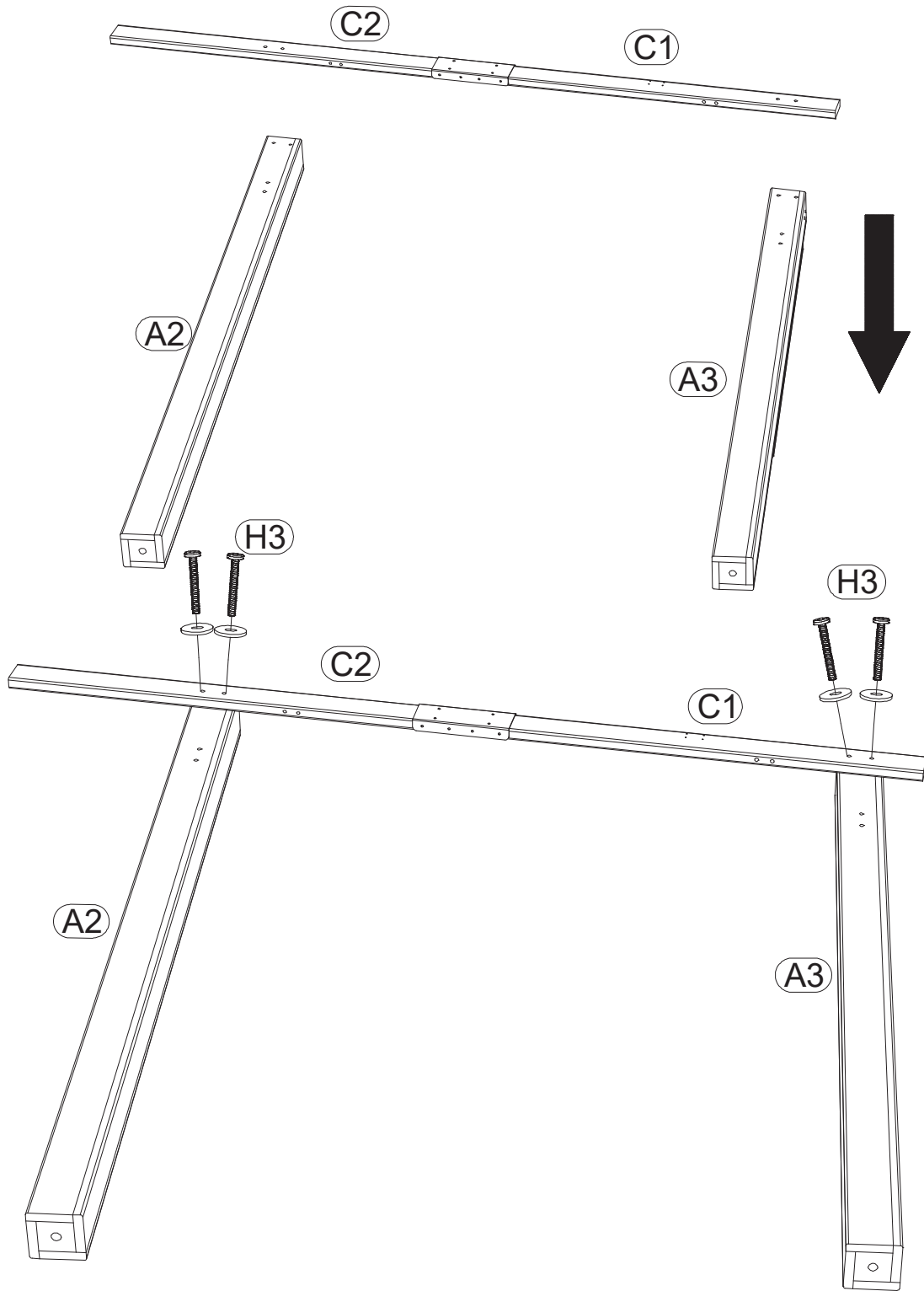
H3		M8X50	6
H4		M8x80	2
H6		M8-18	8



STEP



04


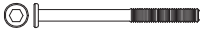

A2		1	H3		M8X50	4
A3		1	H6		M8-18	4

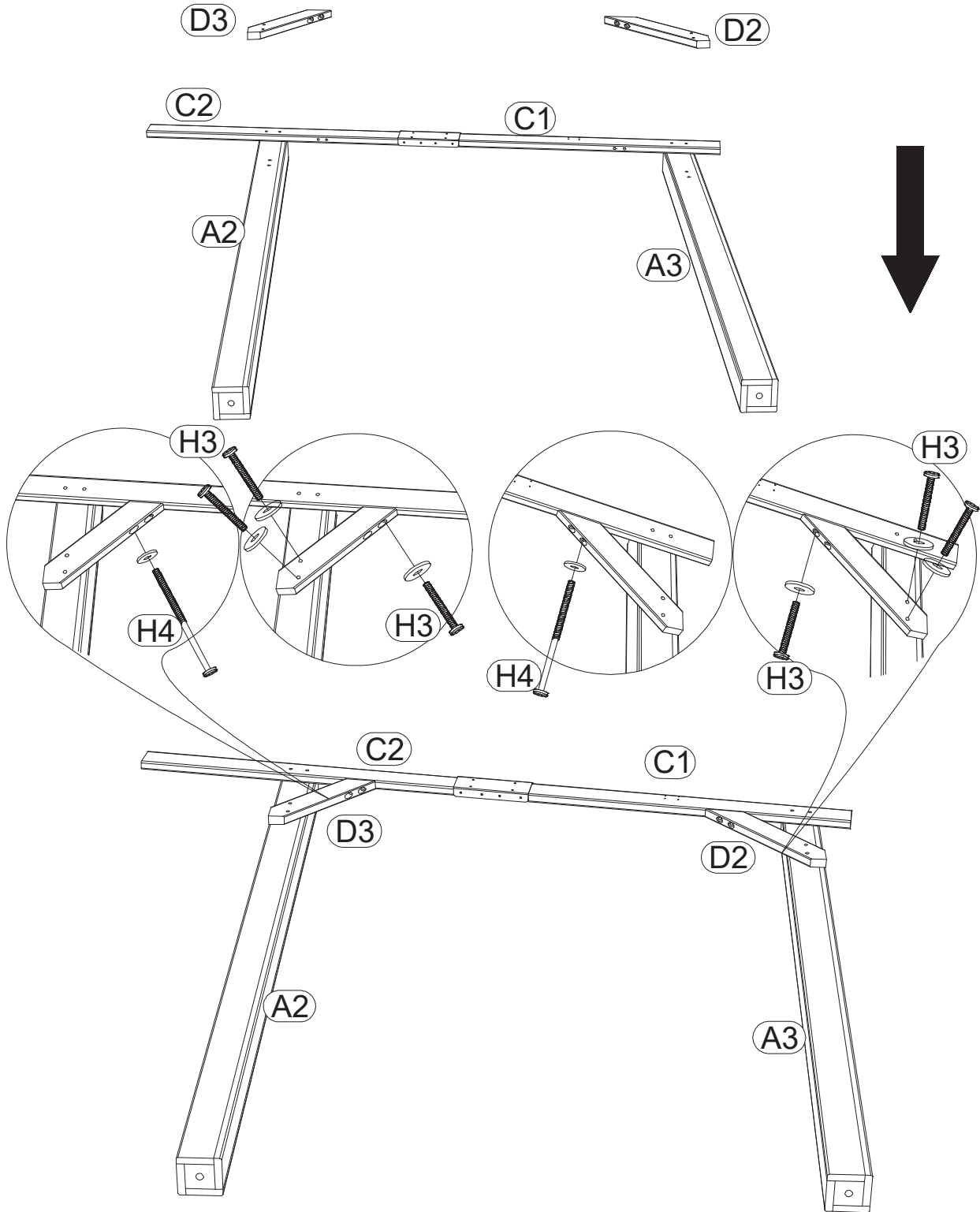


STEP

05


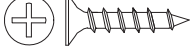
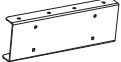
D3		1
D2		1

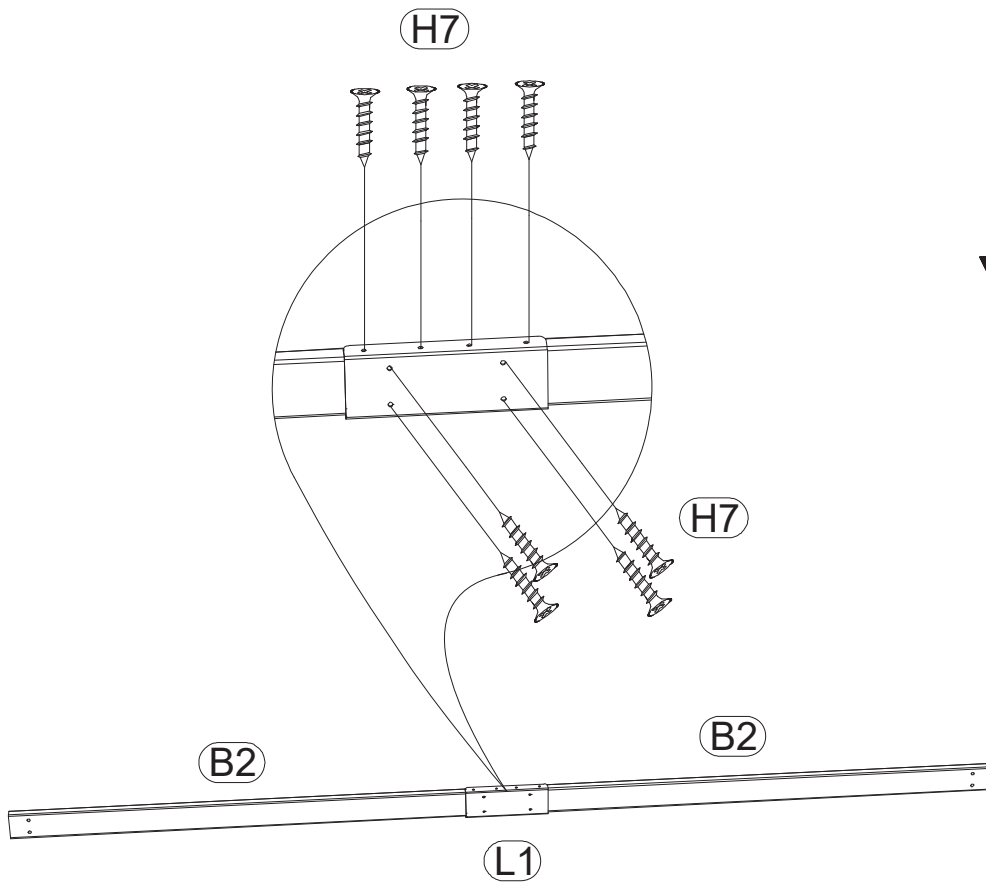
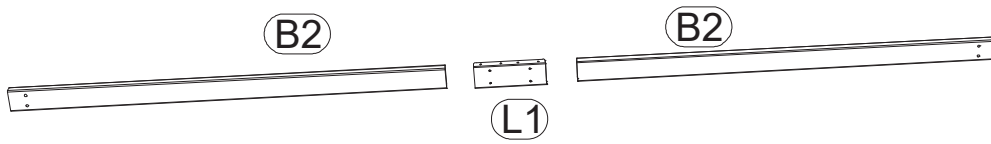
H3		M8X50	6
H4		M8X80	2
H6		M8-18	8



STEP



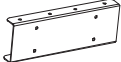
06

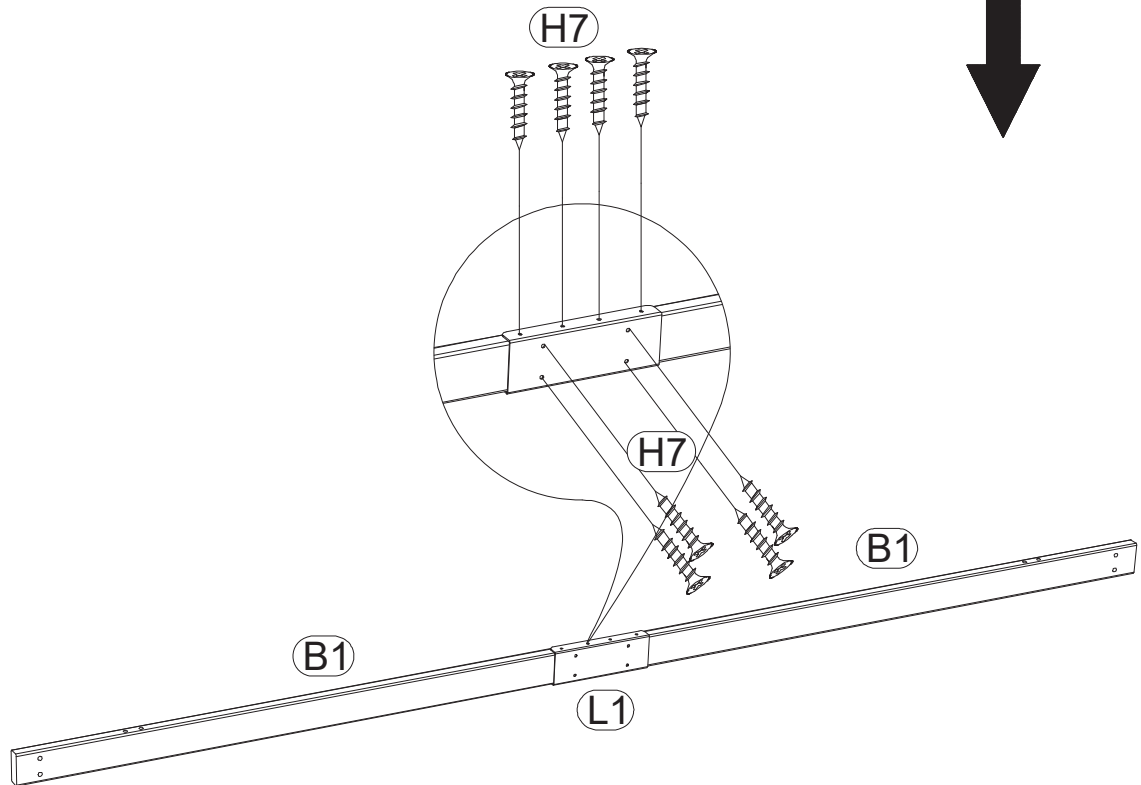
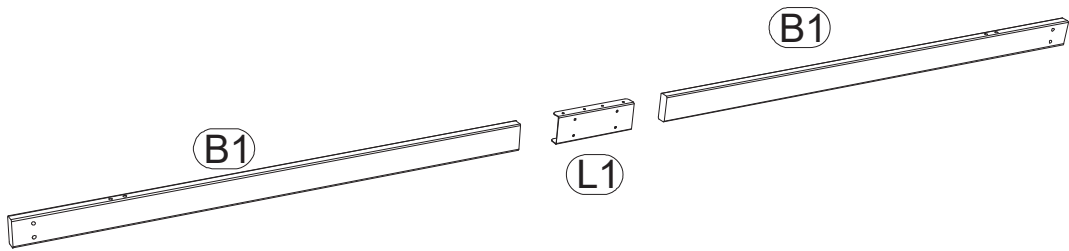
B2		2	H7		M4X25	8
L1		1				



STEP



07

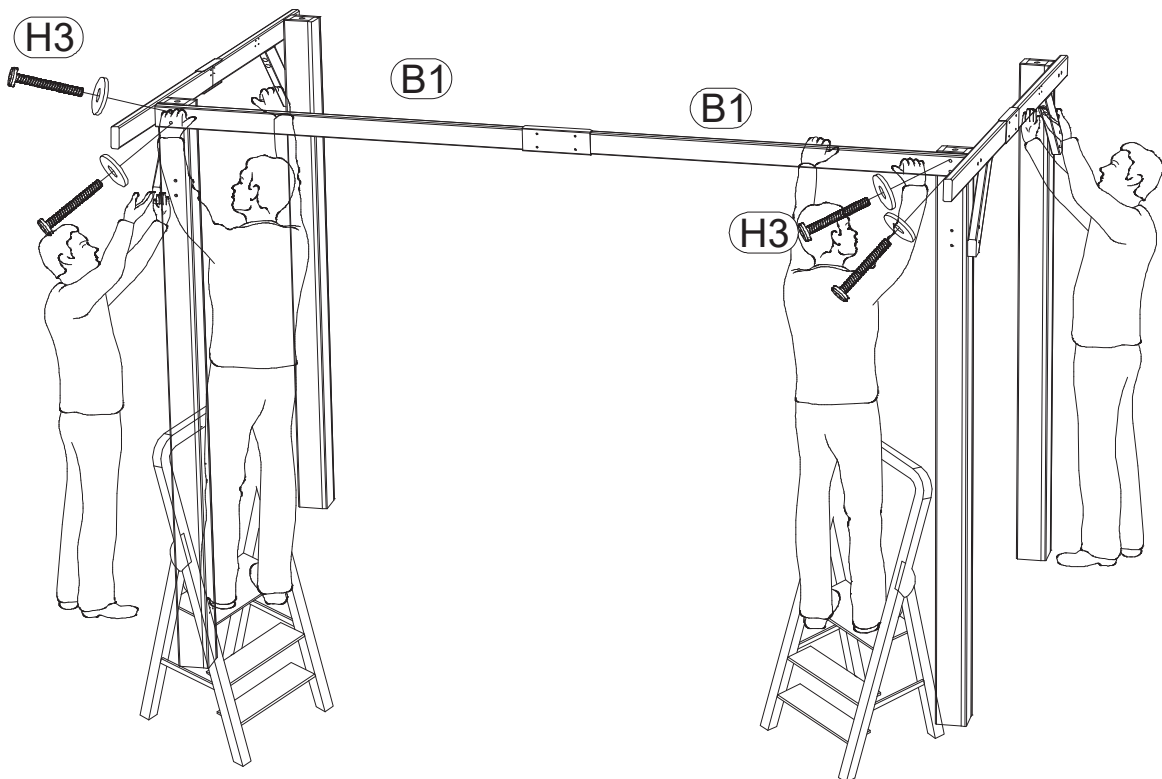
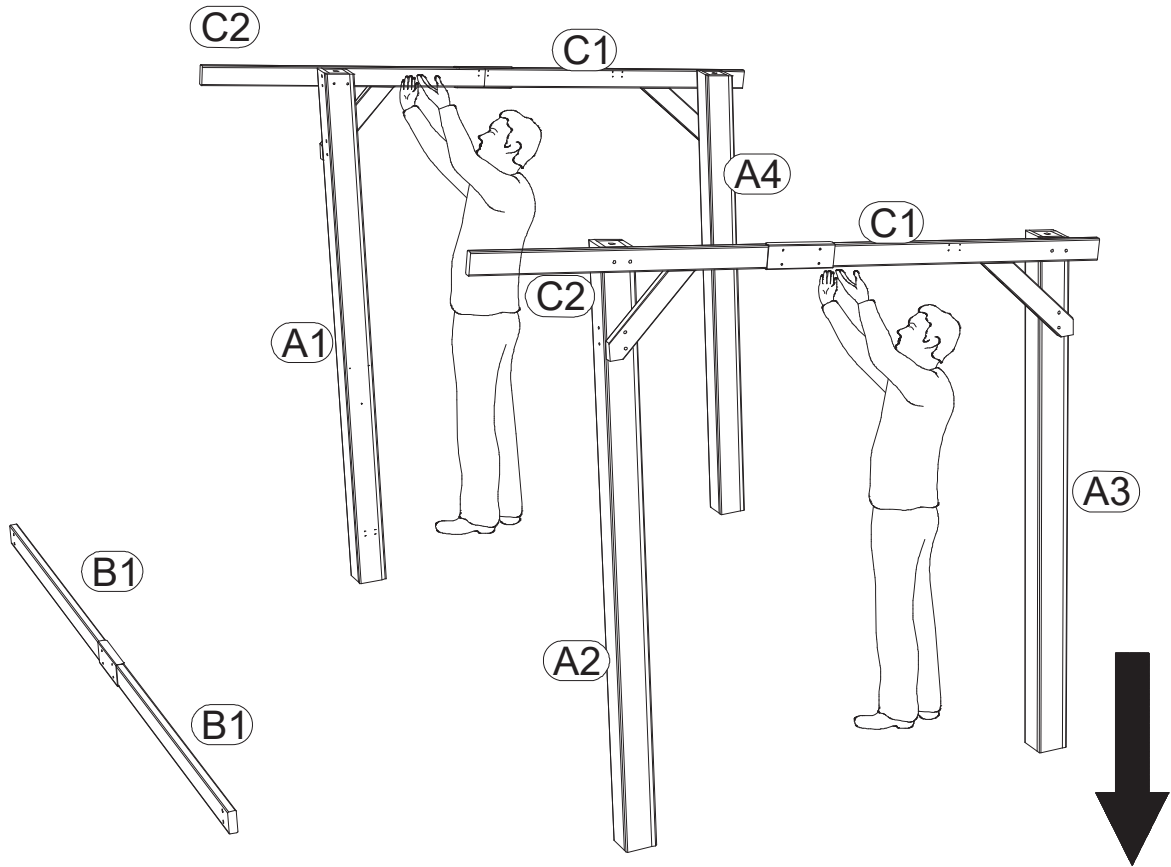
B1		2	H7		M4X25	8
L1		1				



STEP

08

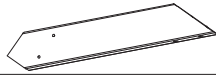
H3		M8X50	4
H6		M8-18	4



STEP

09

D1



2

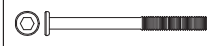
H3



M8X50

6

H4



M8X80

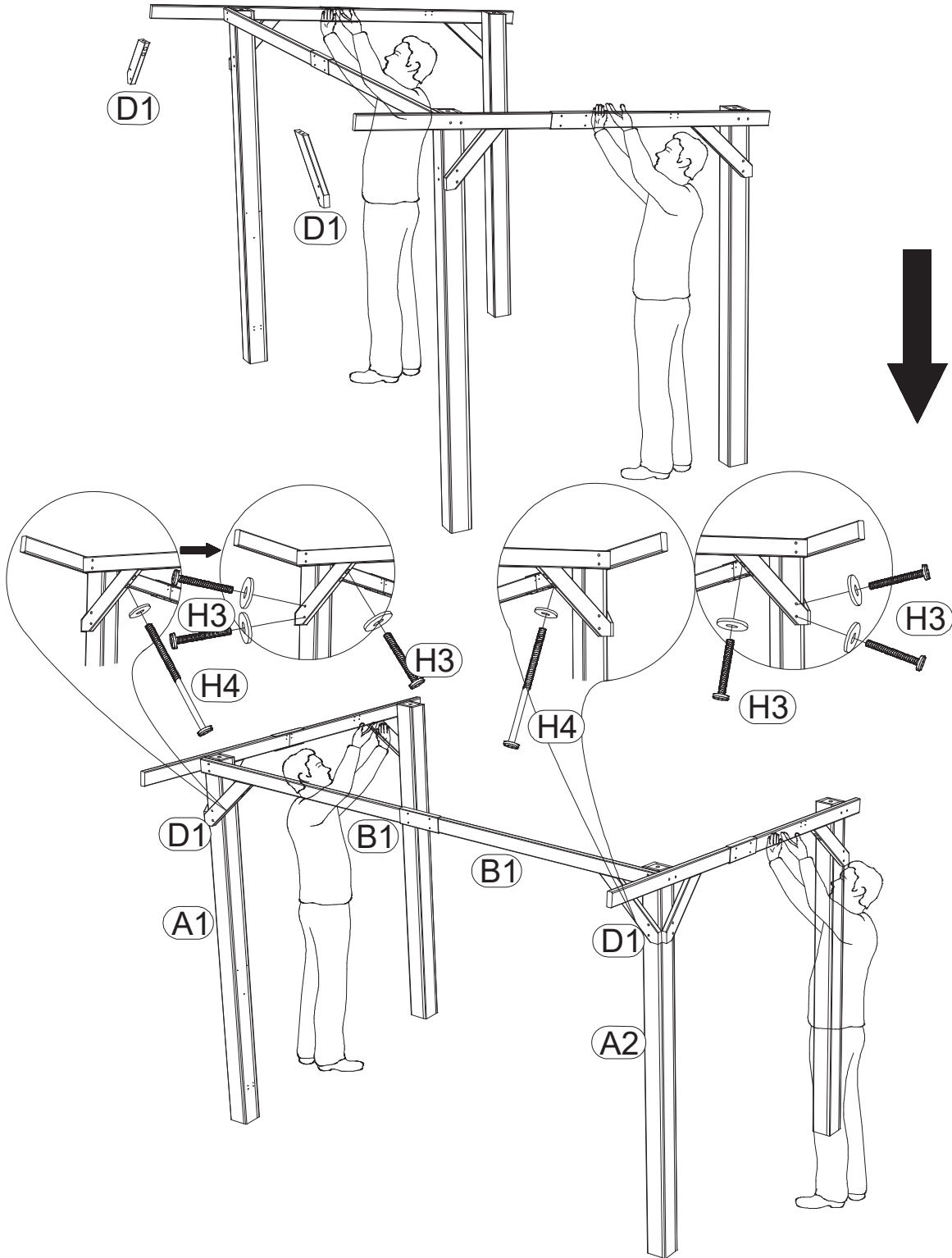
2

H6





M8-18

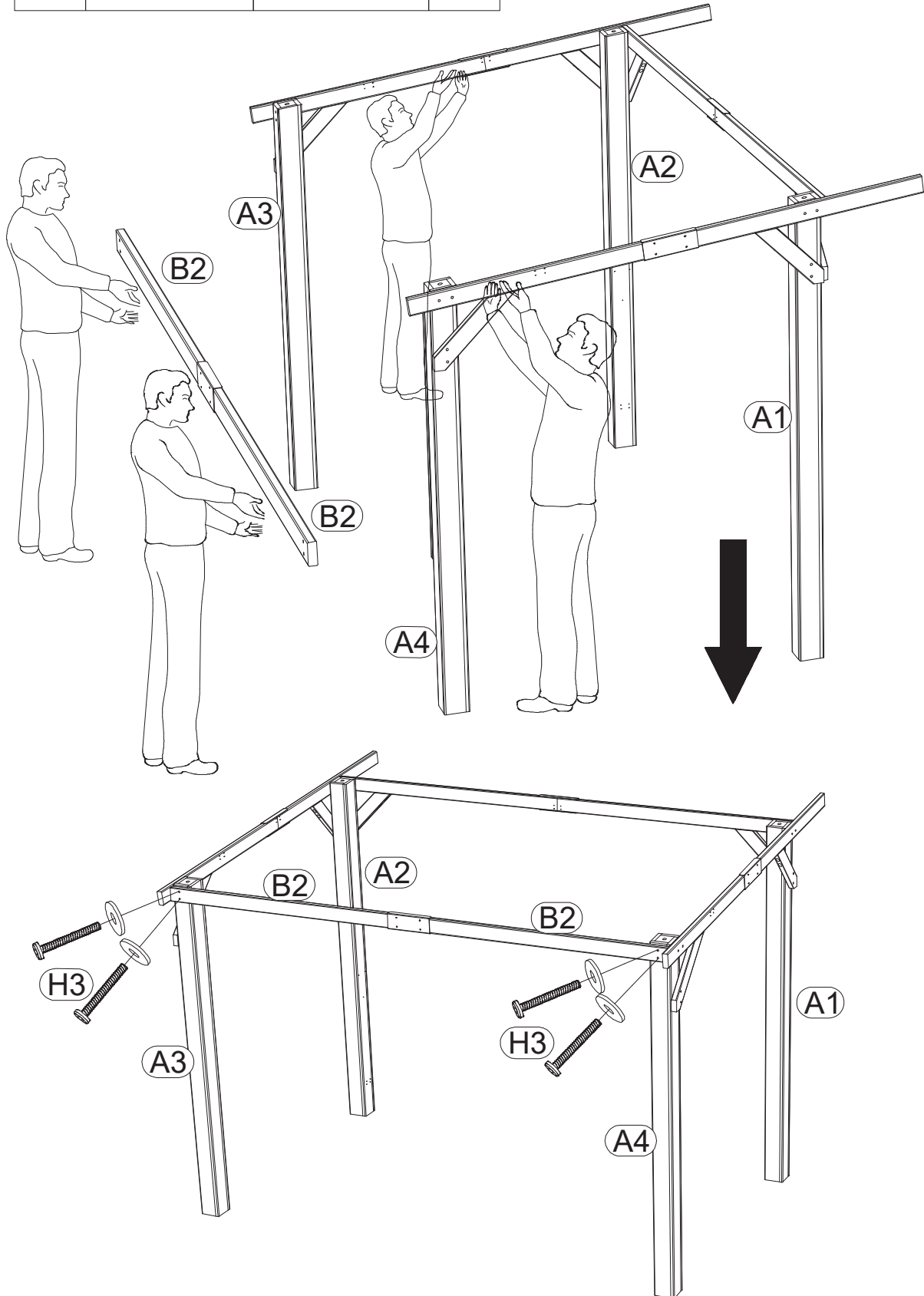
8



STEP



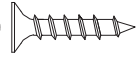

10

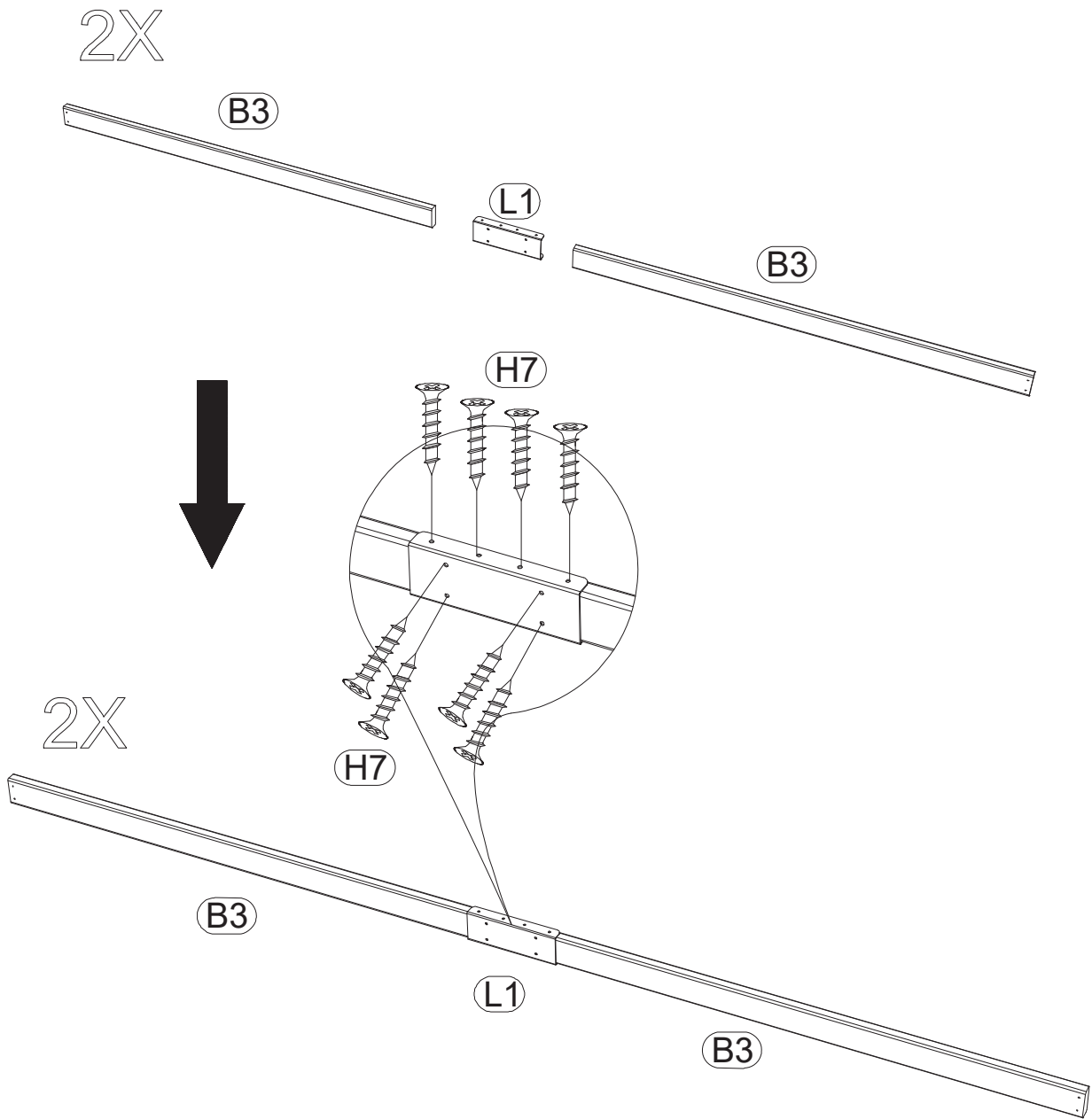
H3		M8X50	4
H6		M8-18	4



STEP

11

B3		4	H7			M4X25	16
L1		2					



STEP

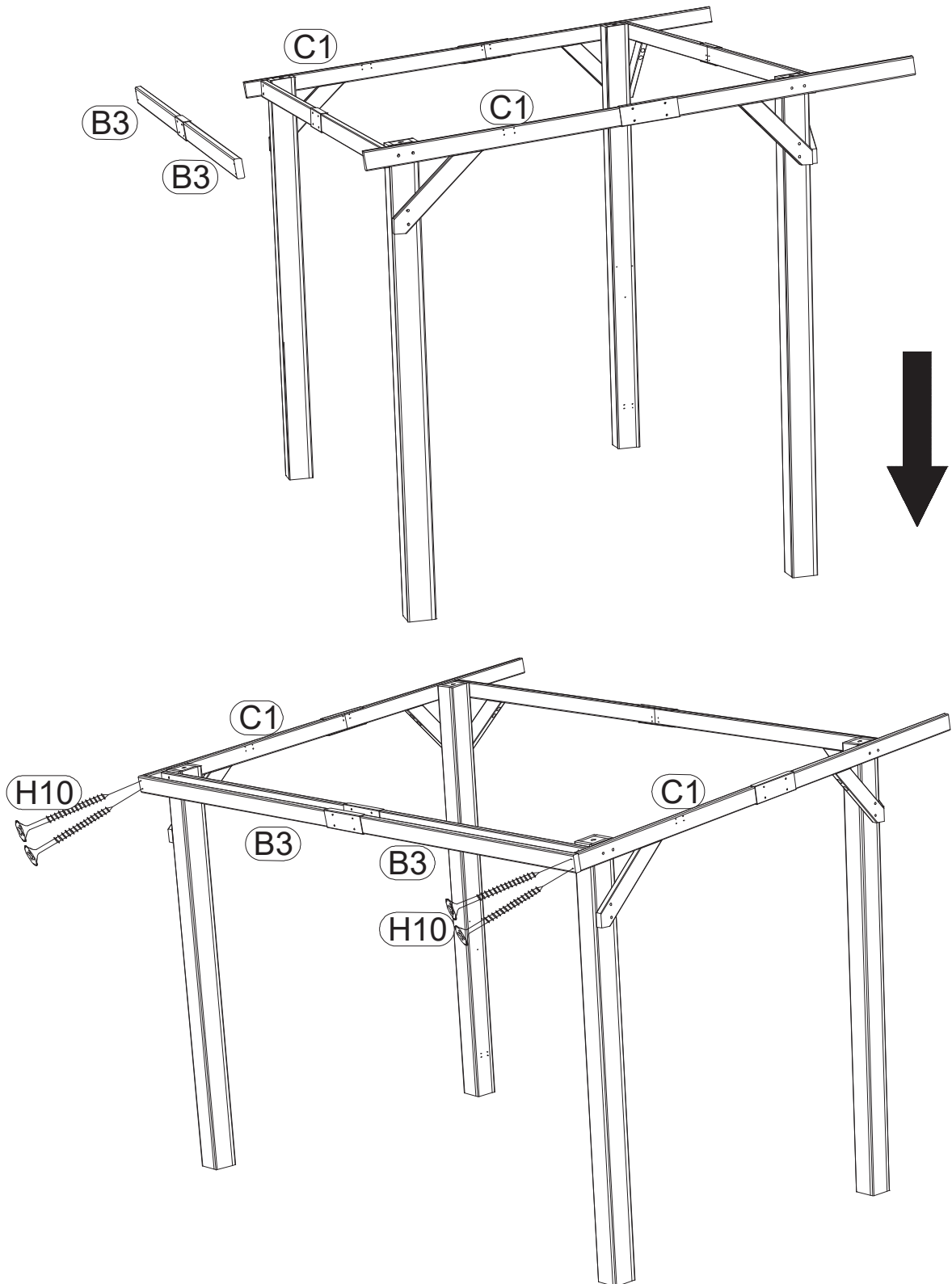
12

H10



M4X60

4



STEP

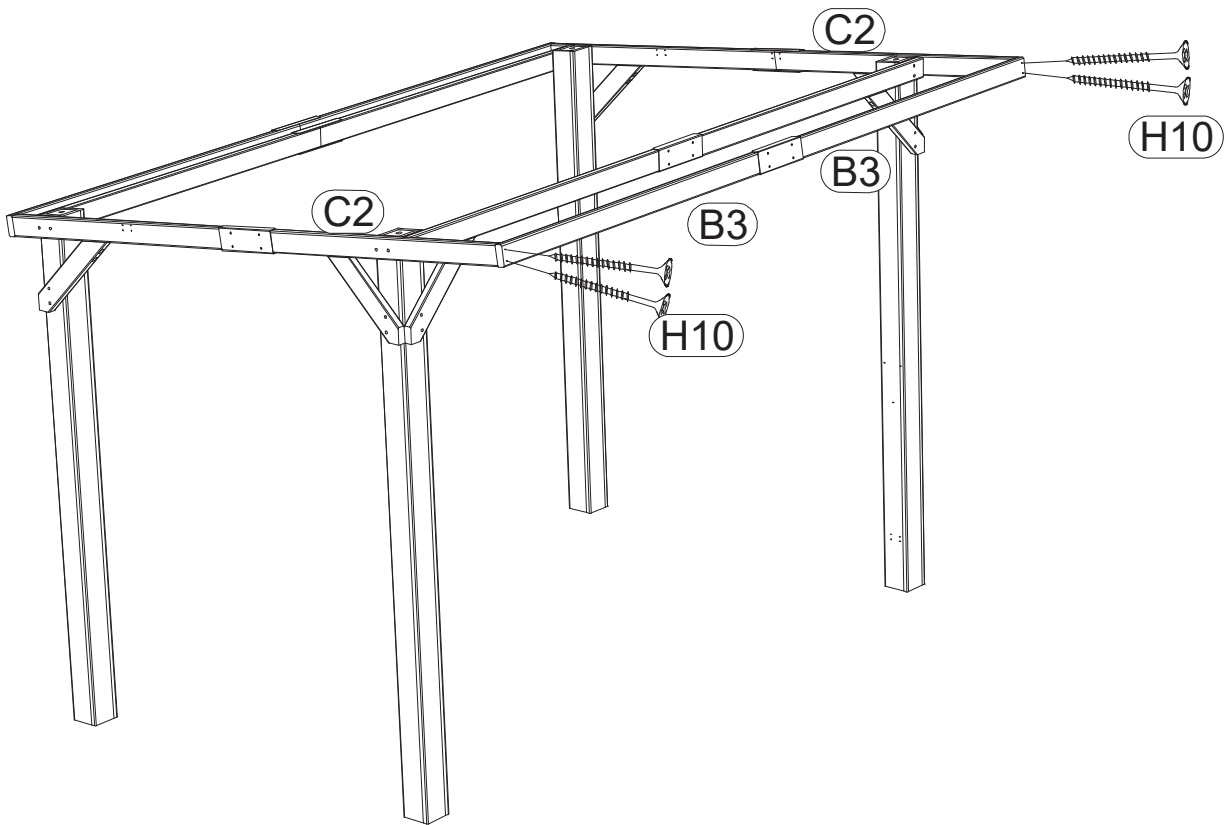
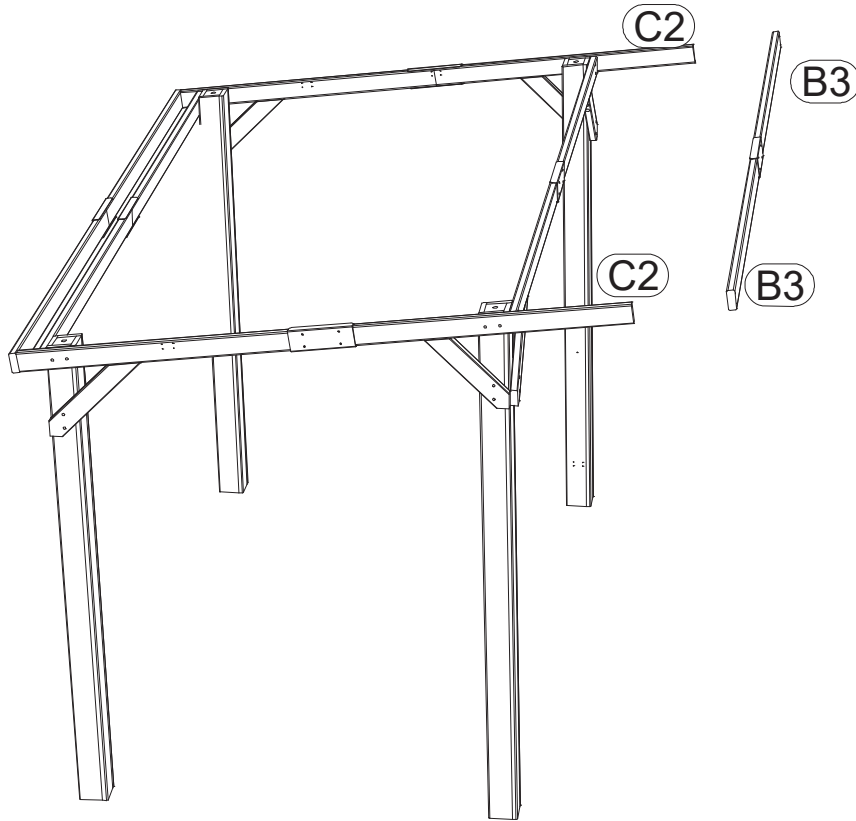
13

H10



M4X60

4



STEP

14

E



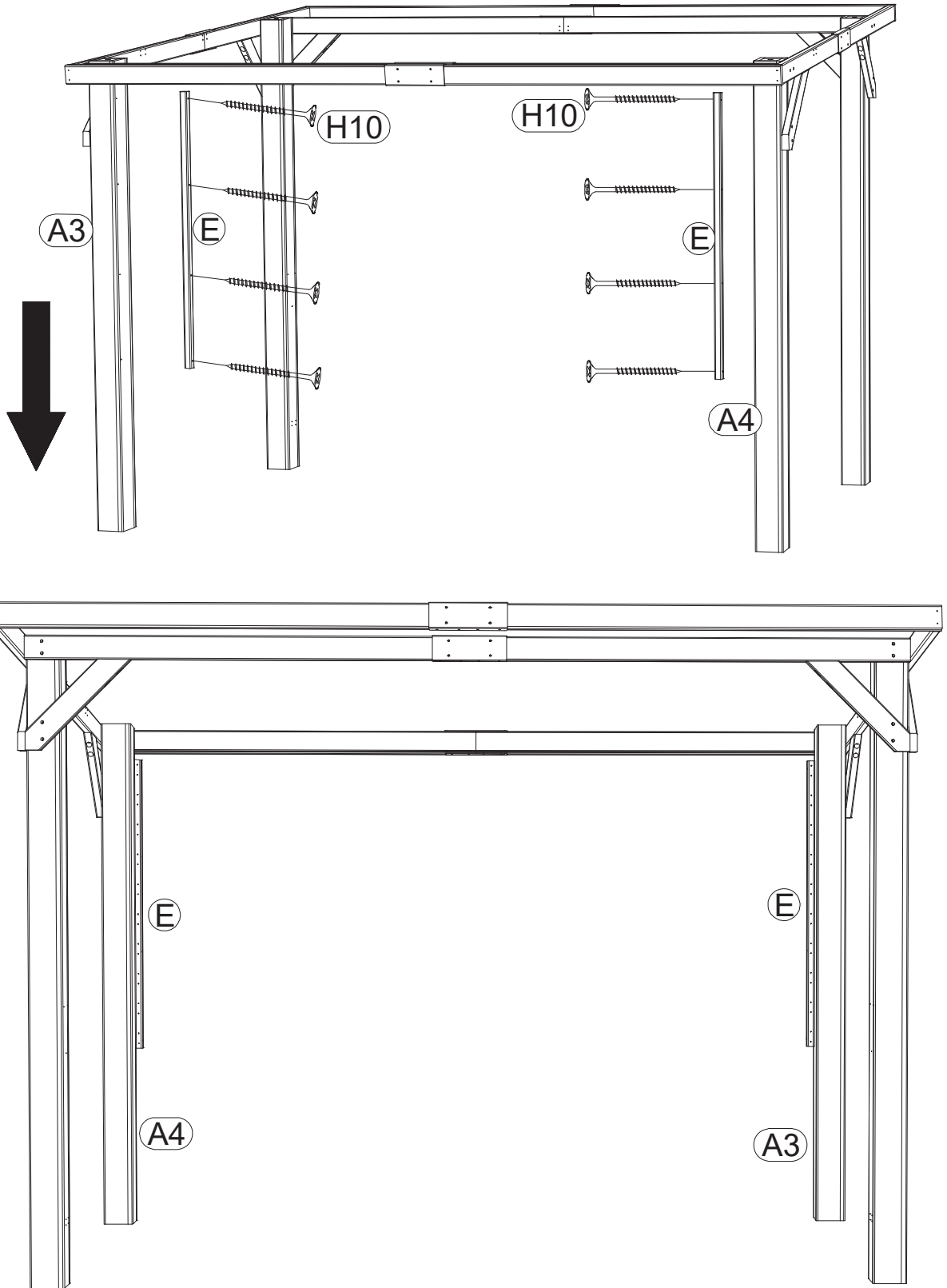
2

H10



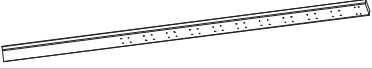
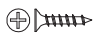

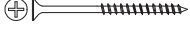
M4X60

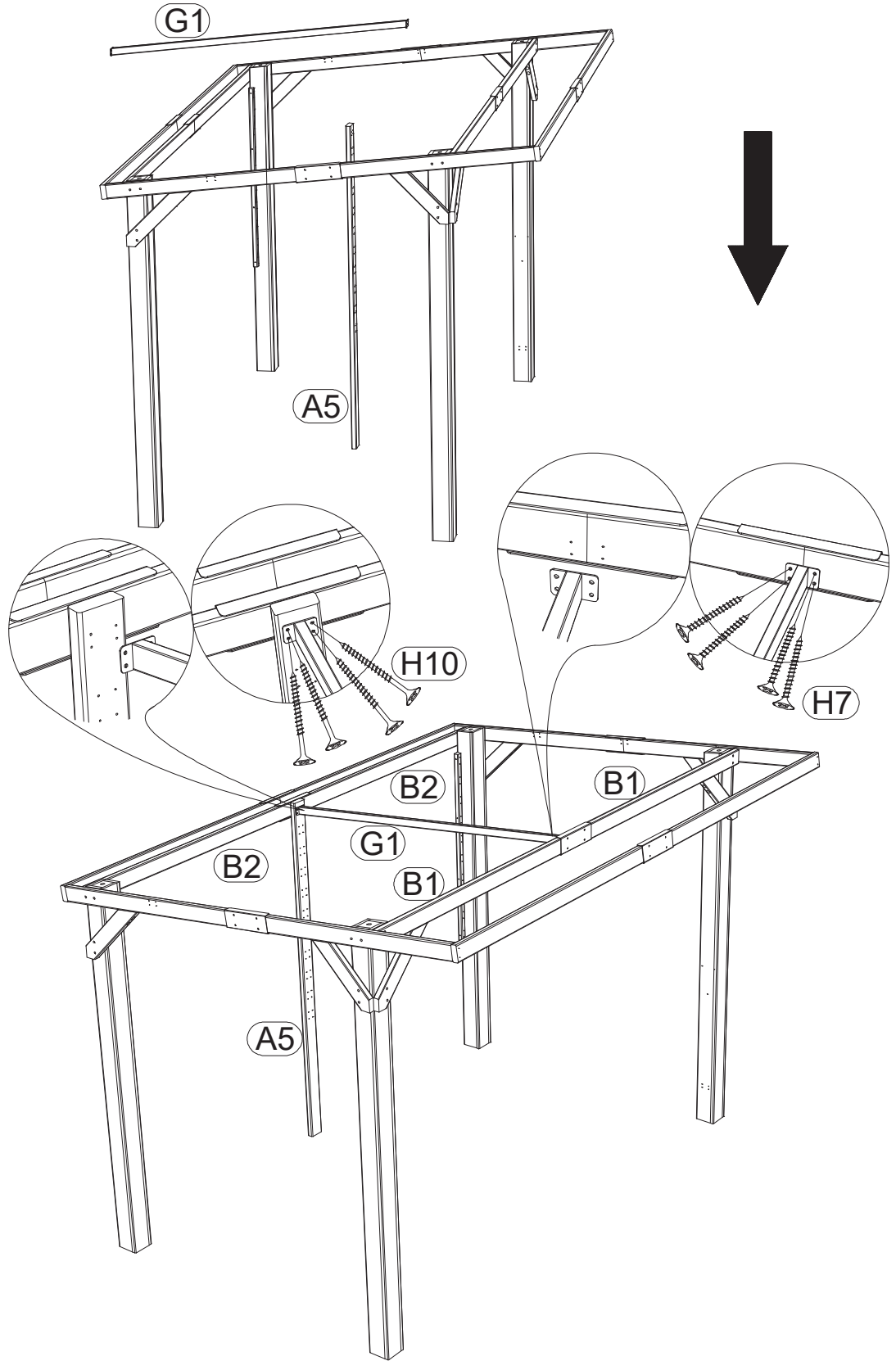
8



STEP

15

A5		1	H7		M4X25	4
G1		1	H10		M4X60	4



STEP

16

F



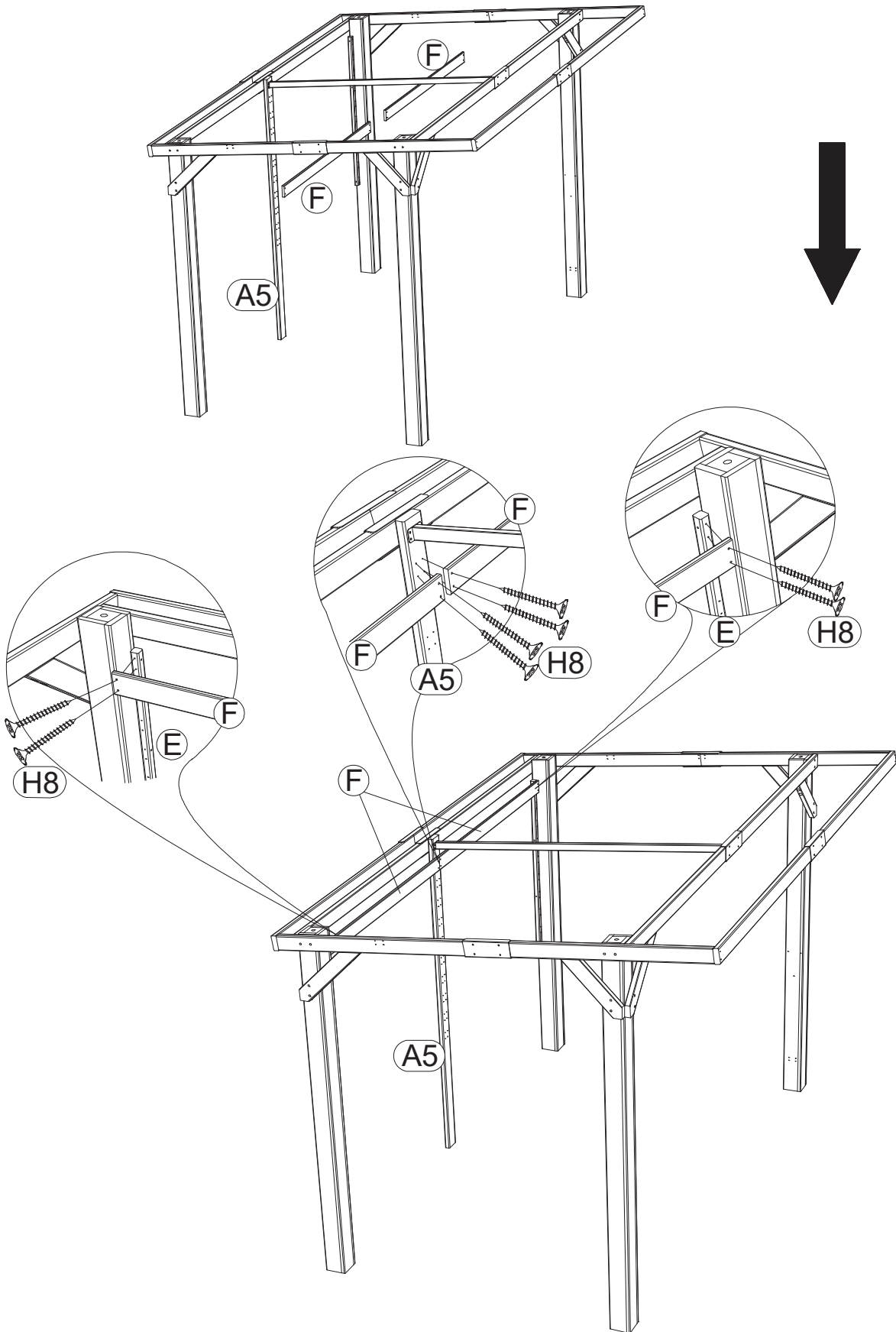
2

H8



M4X40

8



STEP

17

F



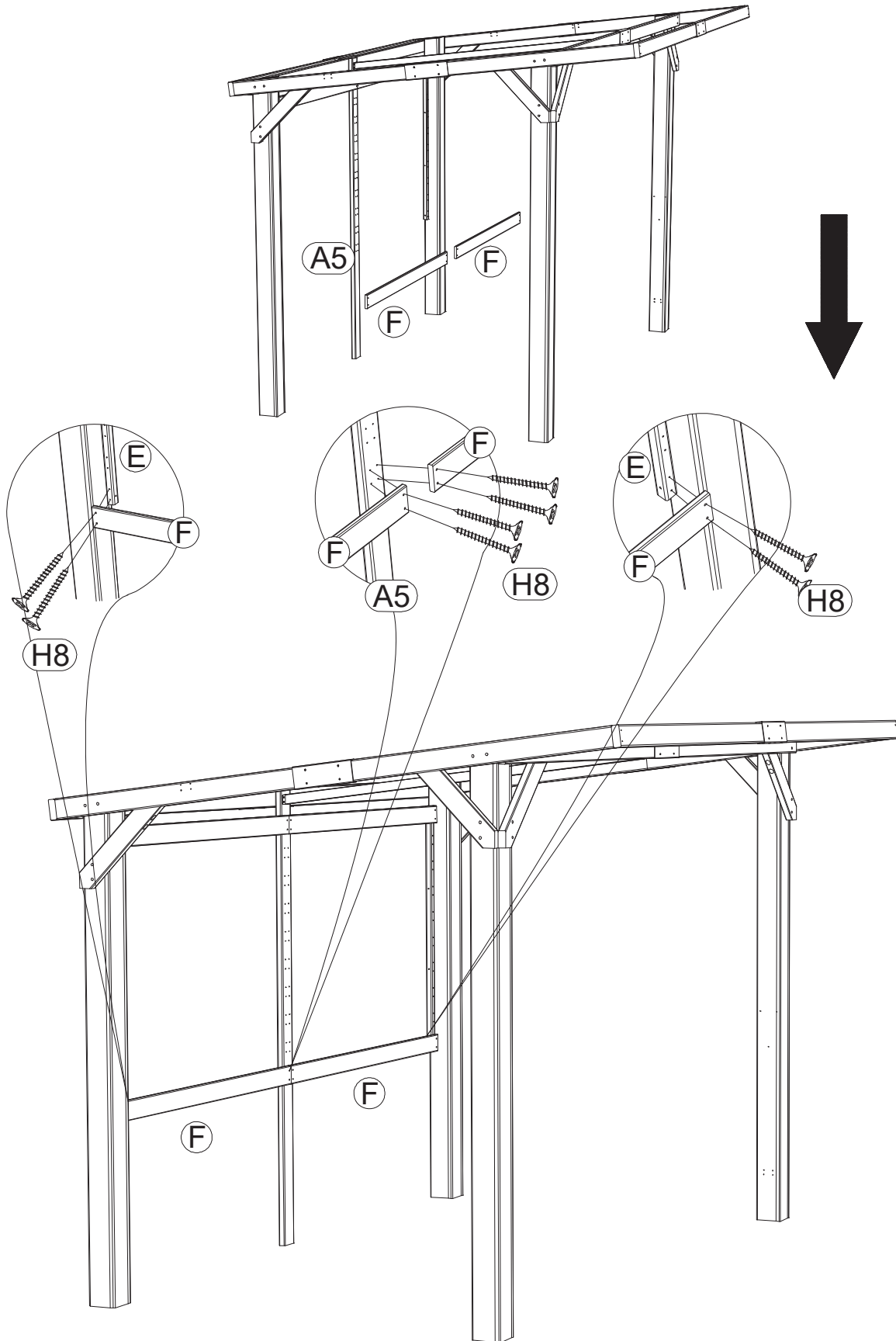
2

H8



M4X40

8



STEP

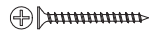
18

F



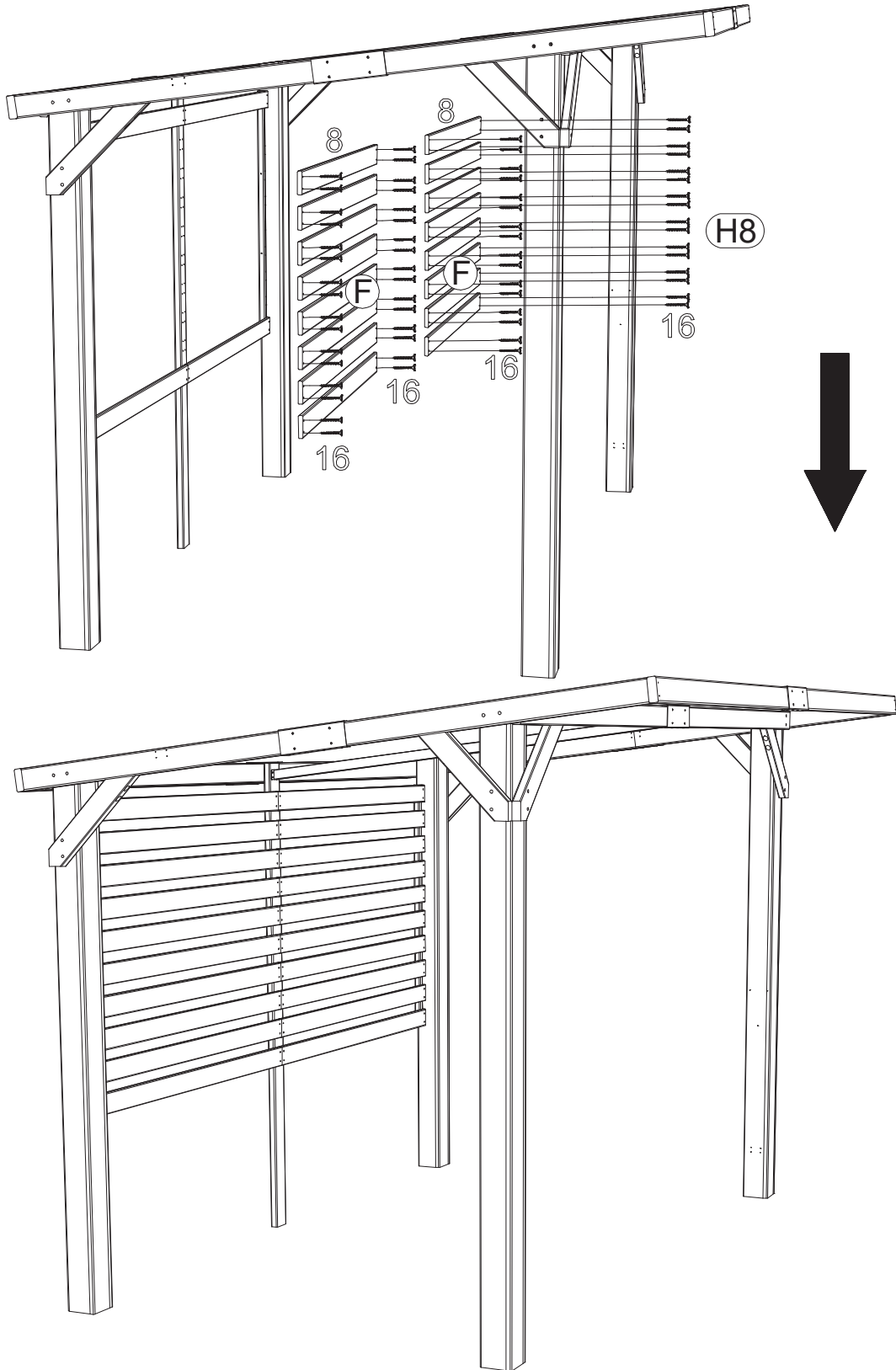
16

H8




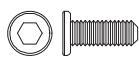


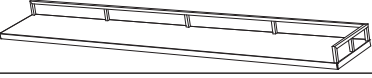

M4X40

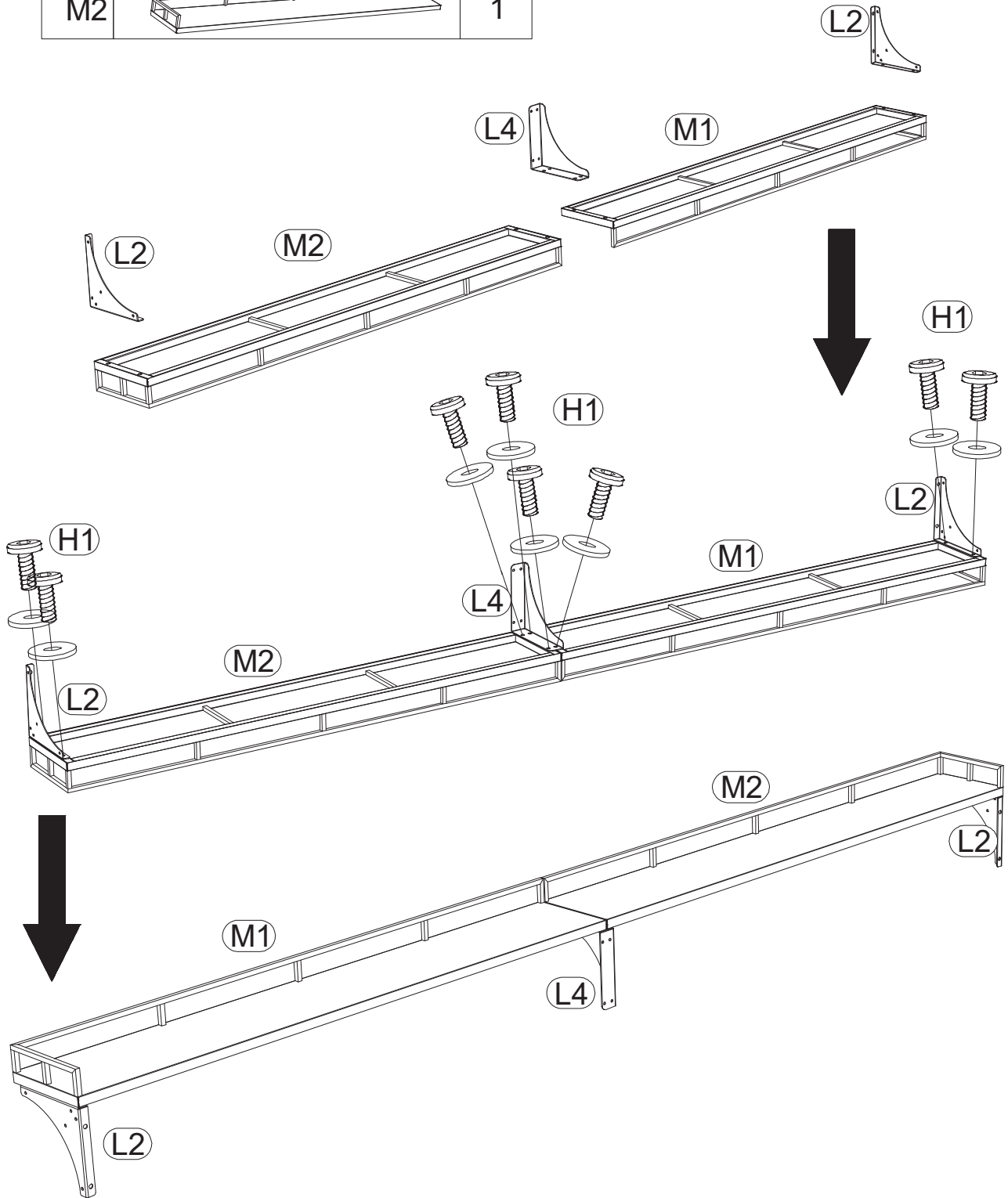
64



STEP

19

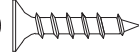
L2		2	H1		M6X15	8
L4		1	H5		M6-16	8
M1		1				
M2		1				



STEP

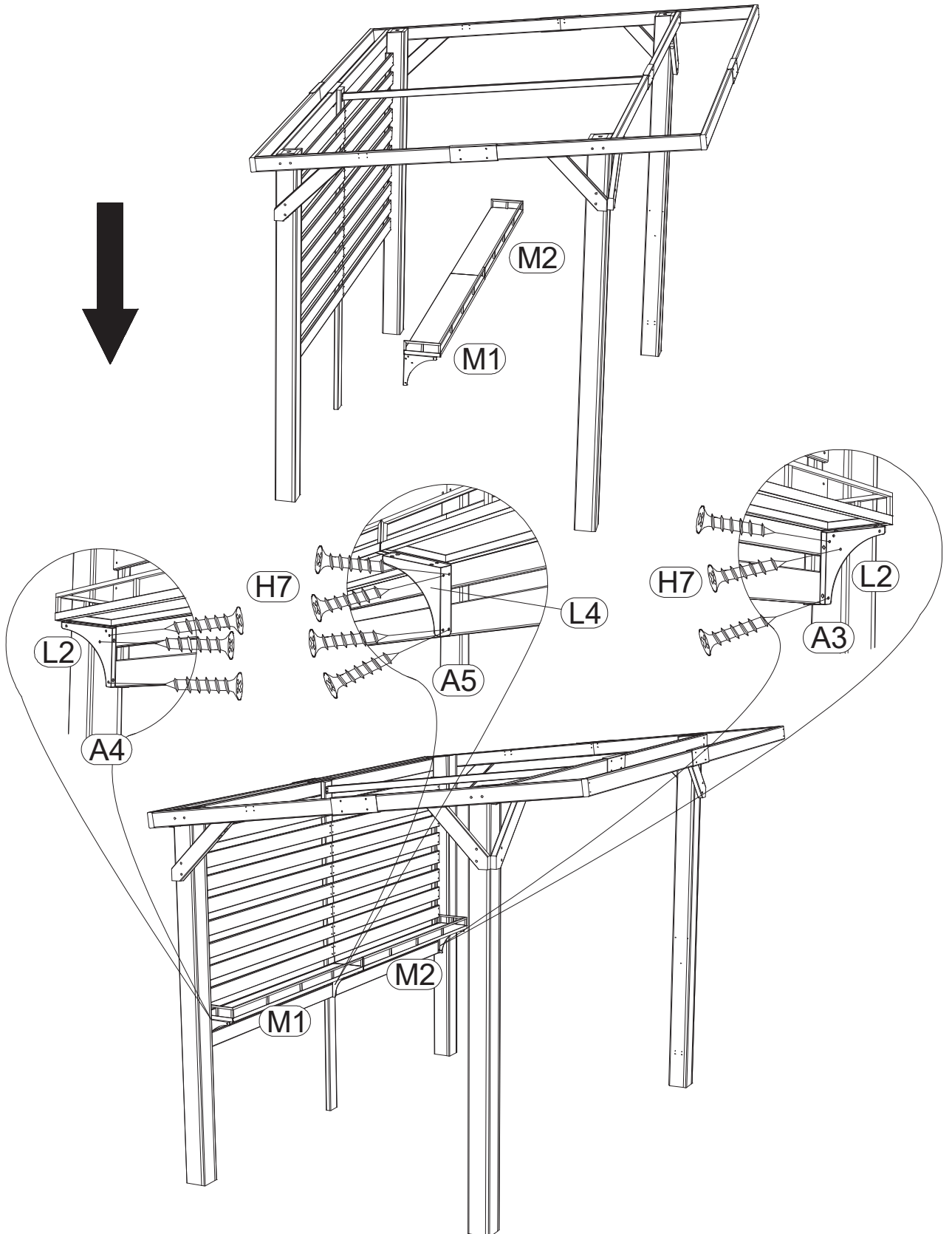
20

H7





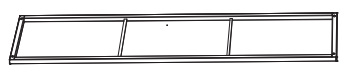
M4X25

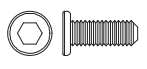

10

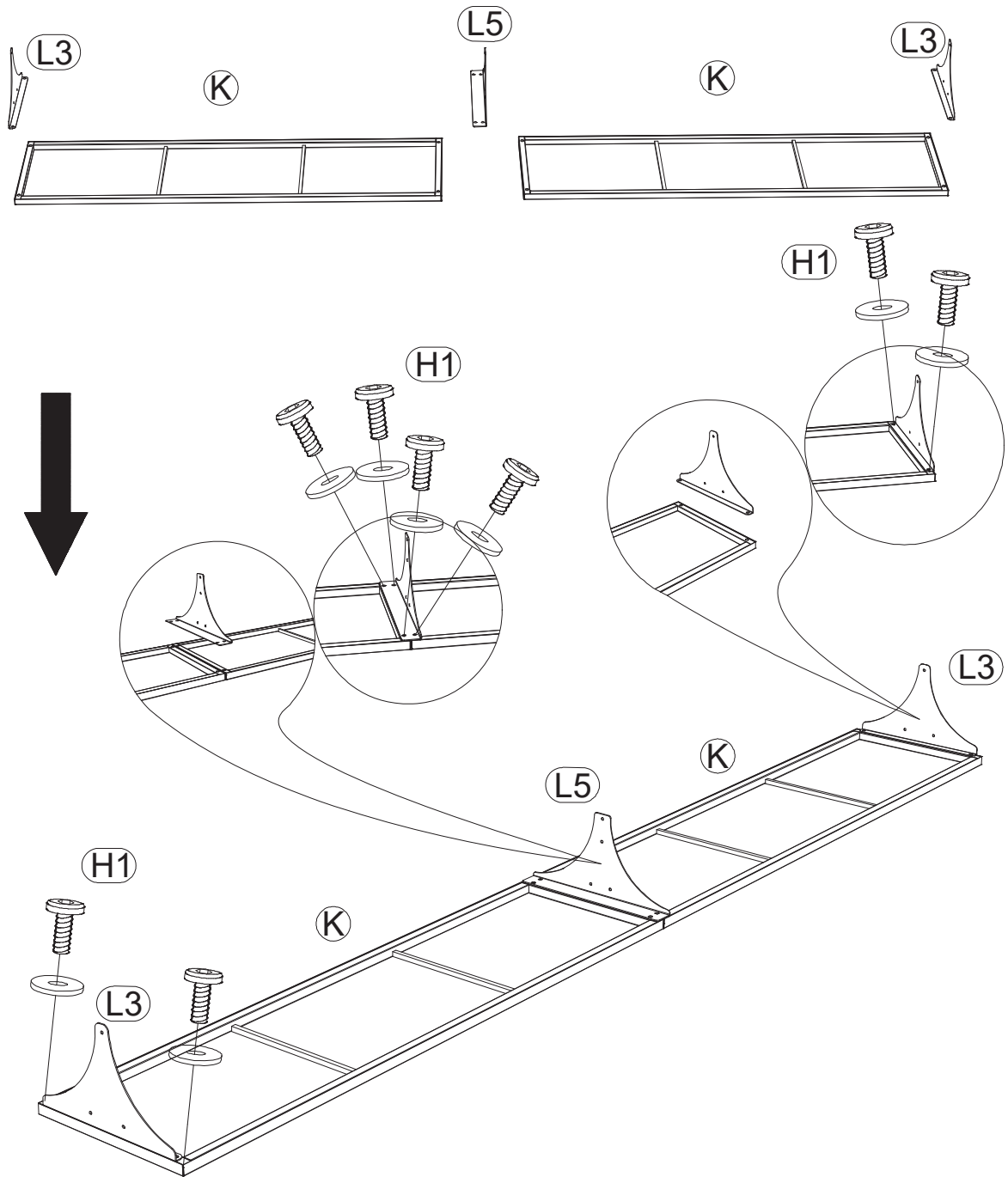


STEP

21

L5		1
L3		2
K		2

H1		M6X15	8
H5		M6-16	8



STEP

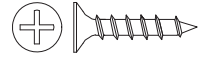
22

A6



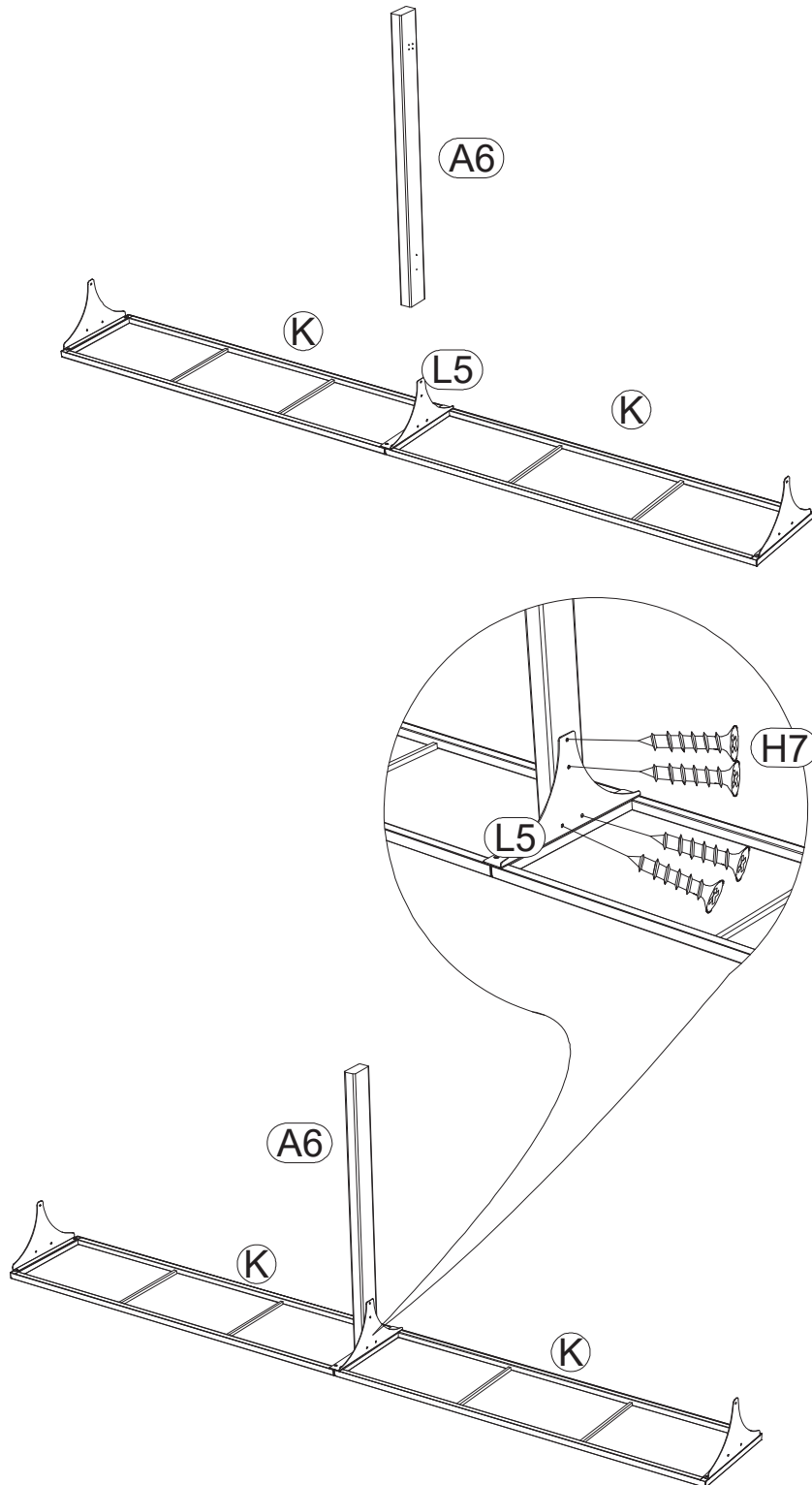
1

H7



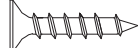
M4X25

4



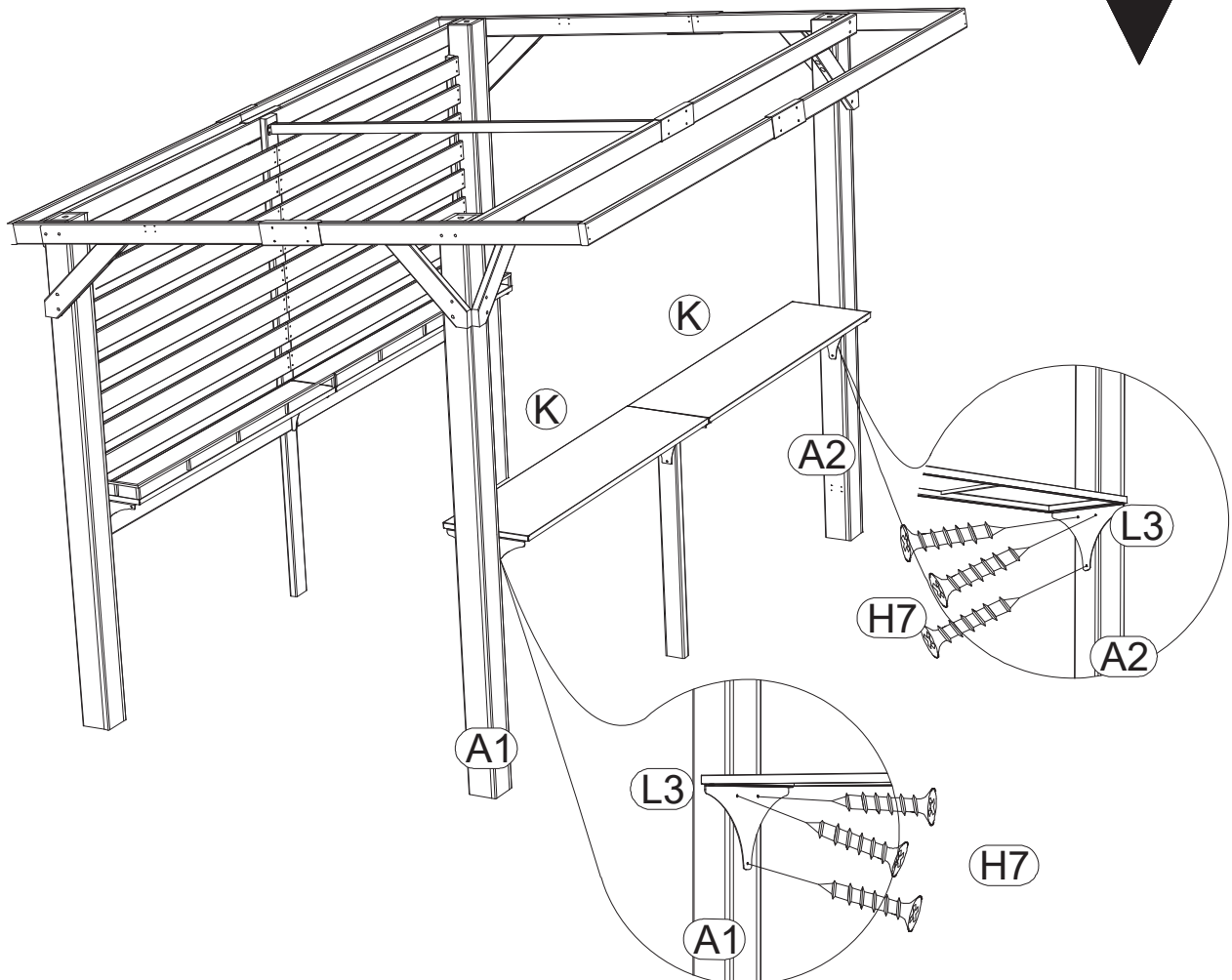
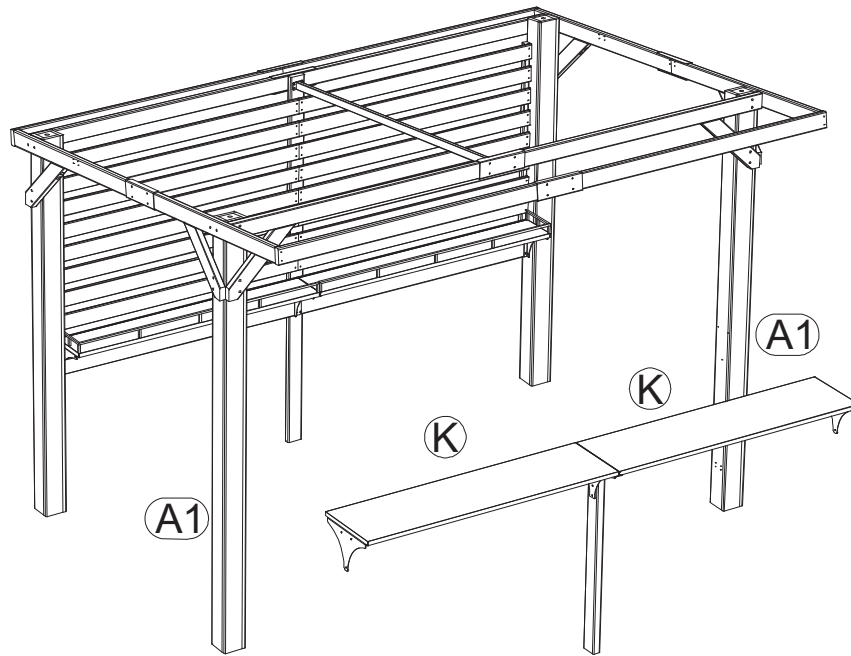
23

H7



M4X25

6



STEP

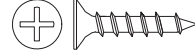
24

G3



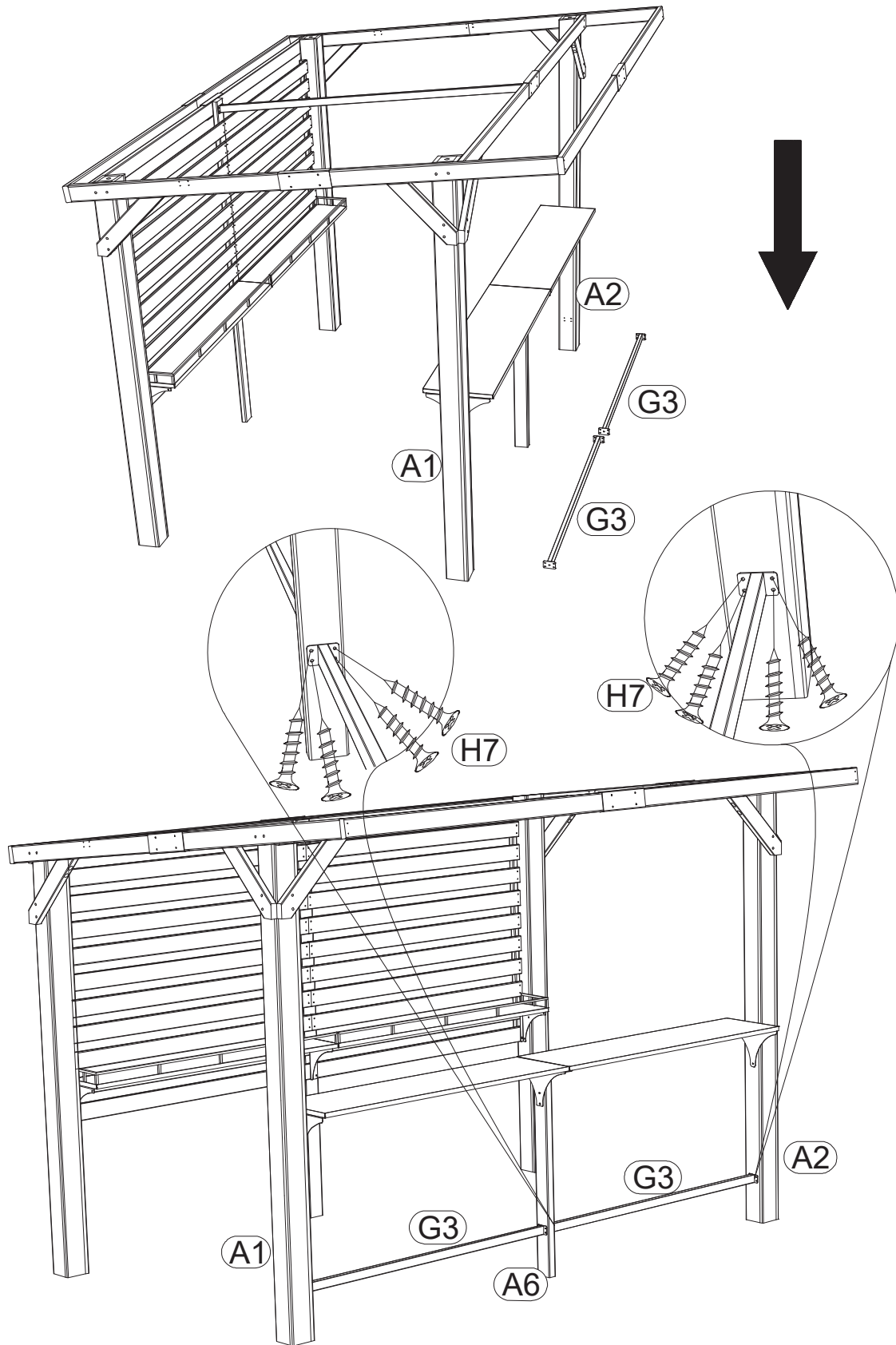
2

H7





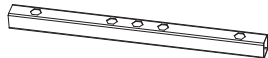

M4X25

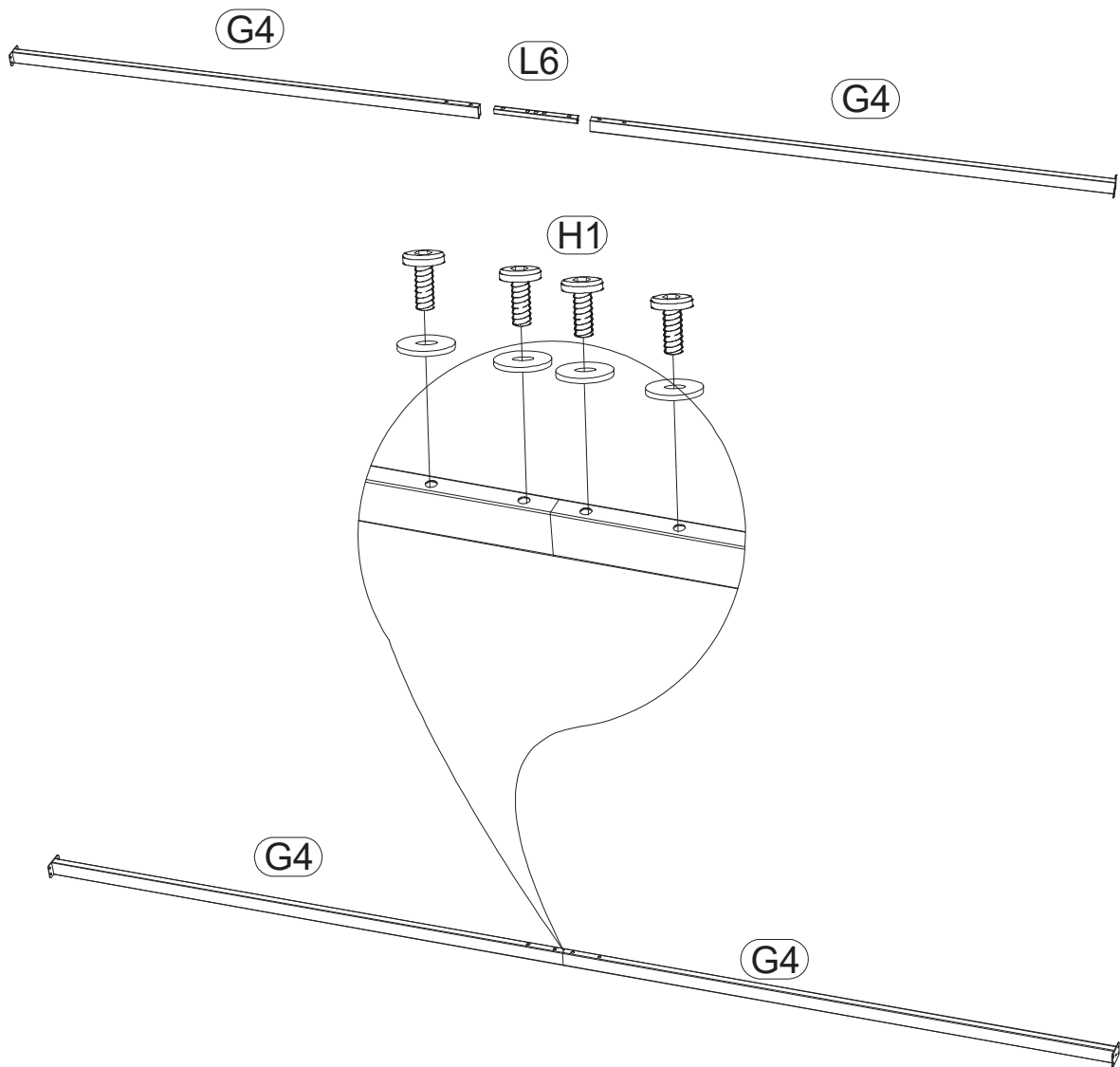
16



STEP

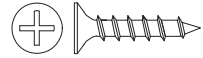
25

G4		2	H1		M6X15	4
L6		1	H5		M6-16	4



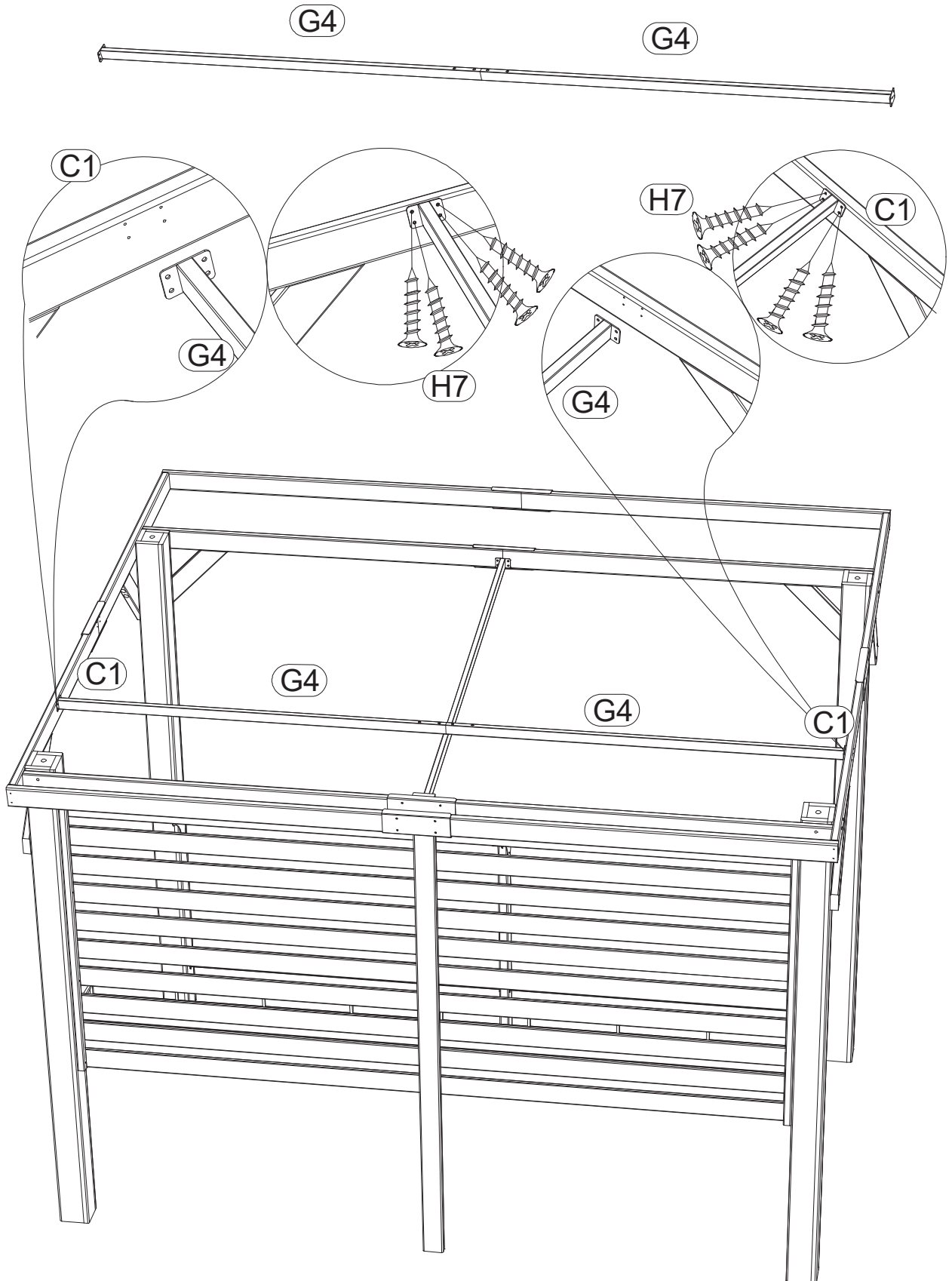
26

H7





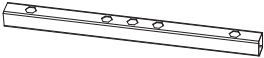

M4X25

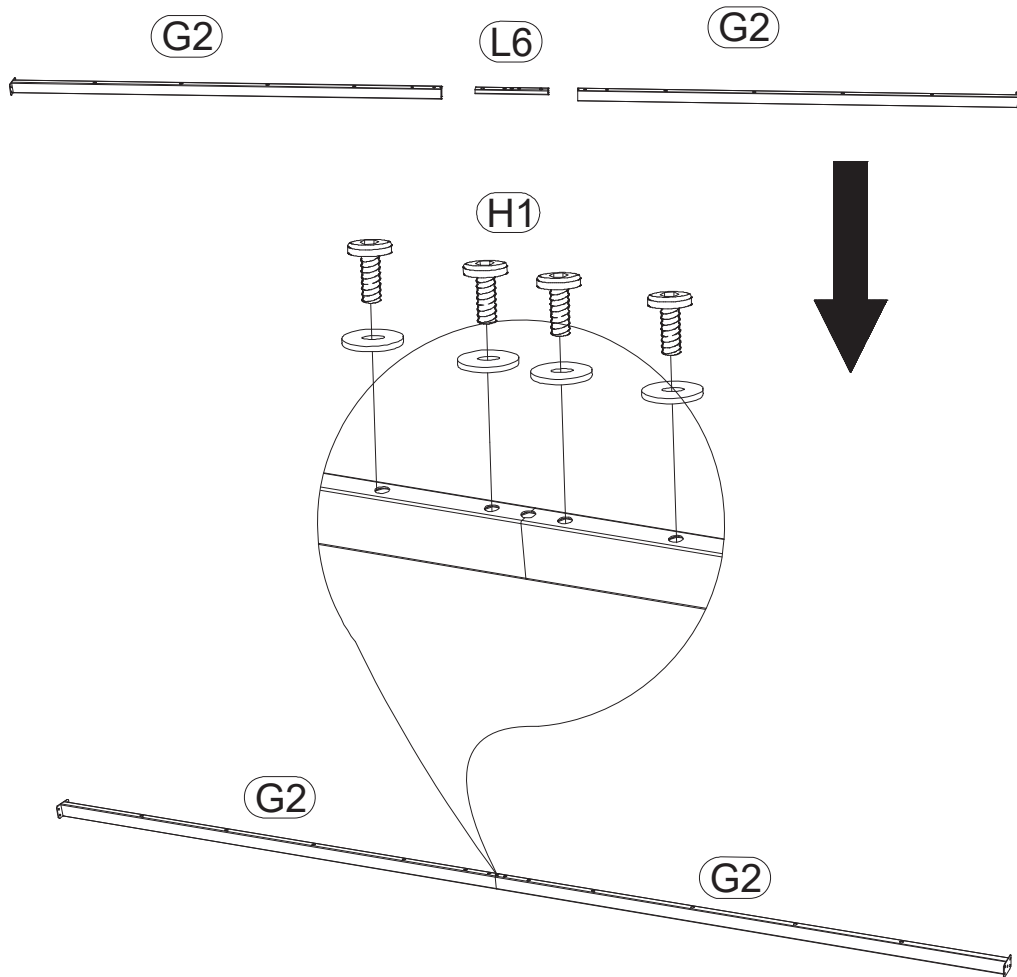
8



STEP

27

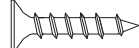
G2		2	H1		M6X15	4
L6		1	H5		M6-16	4



STEP

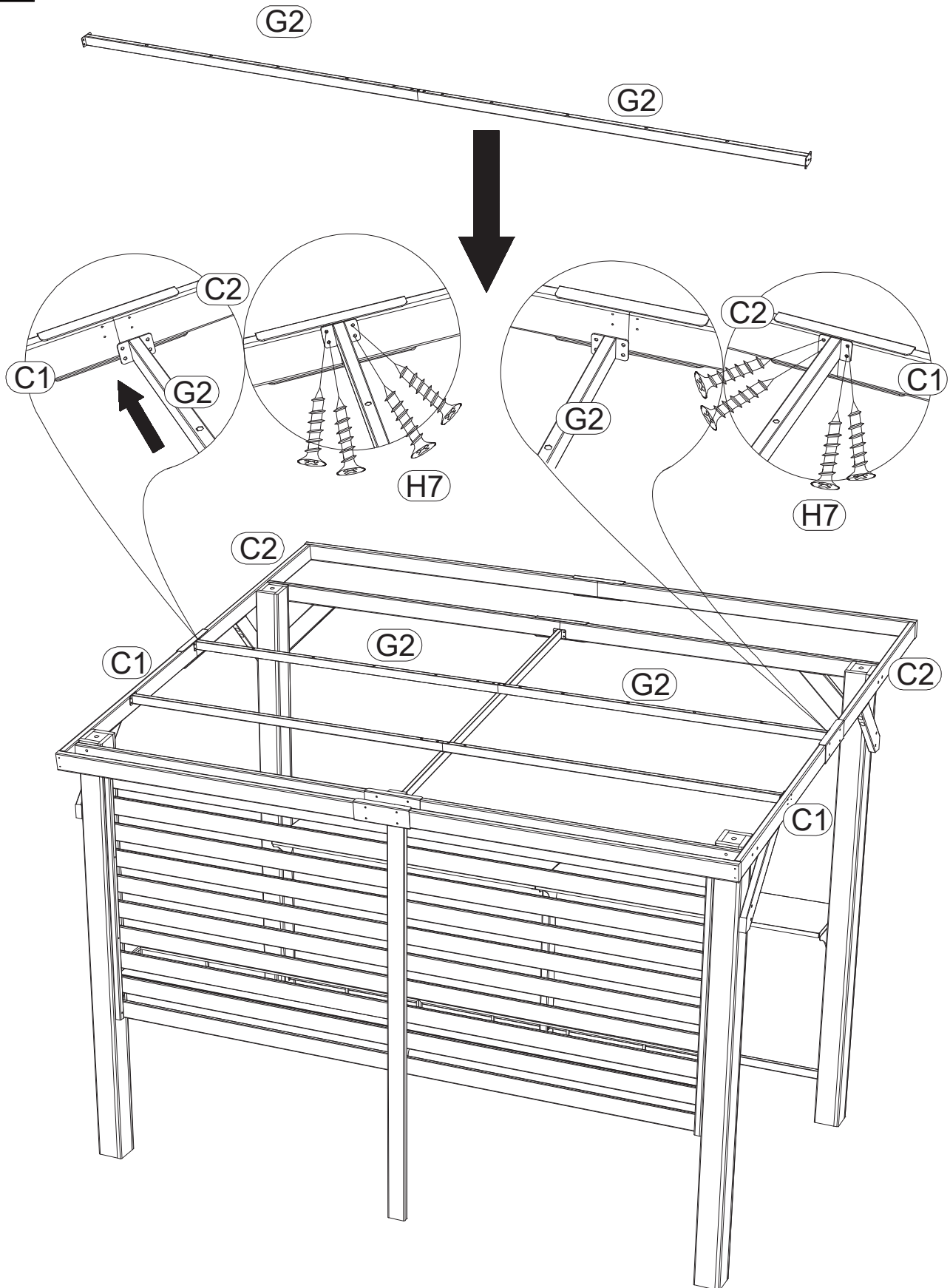
28

H7



M4X25

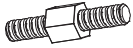
8



STEP

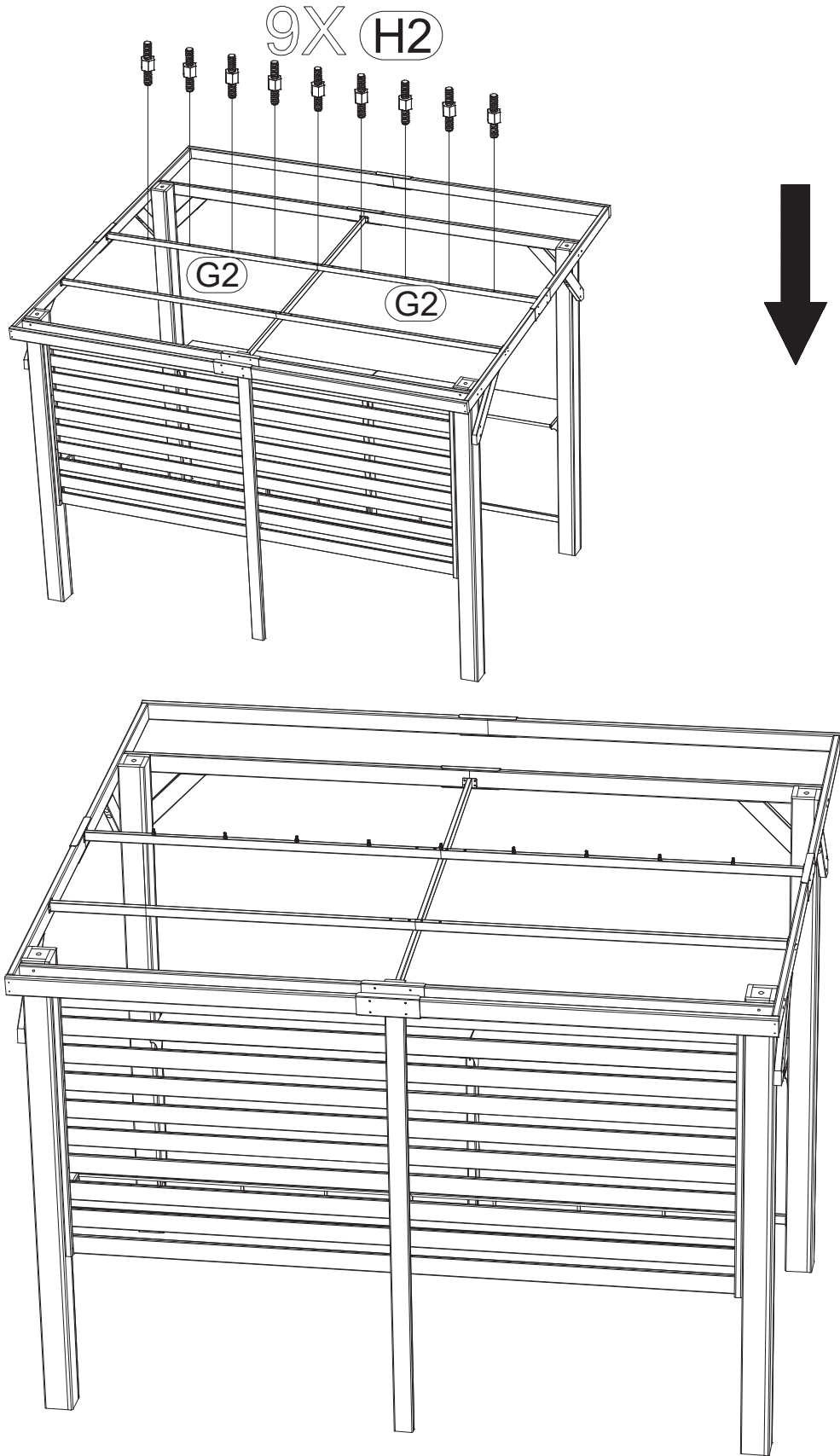
29

H2



M6X40

9



STEP

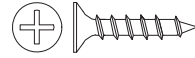
30

P



5

H7



M4X25

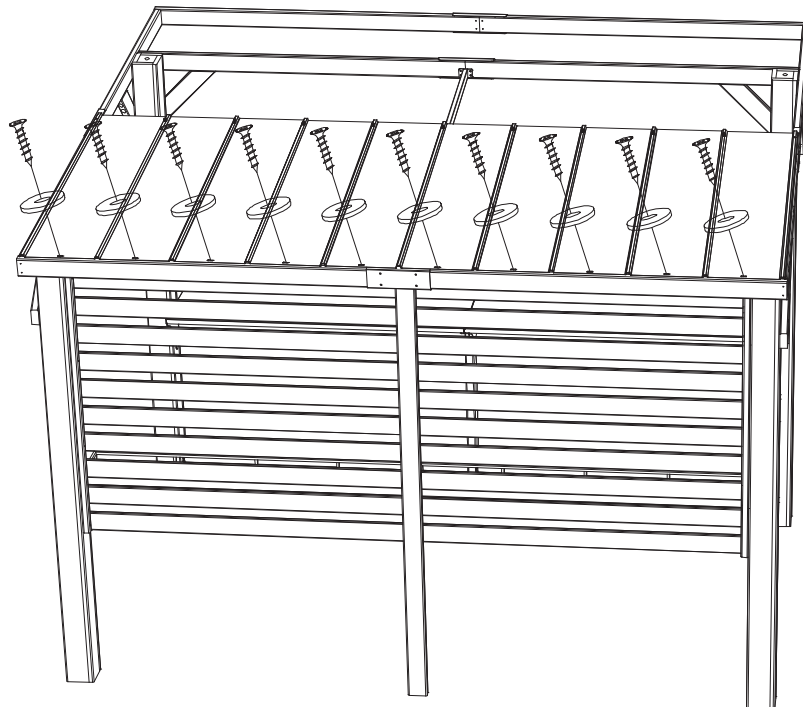
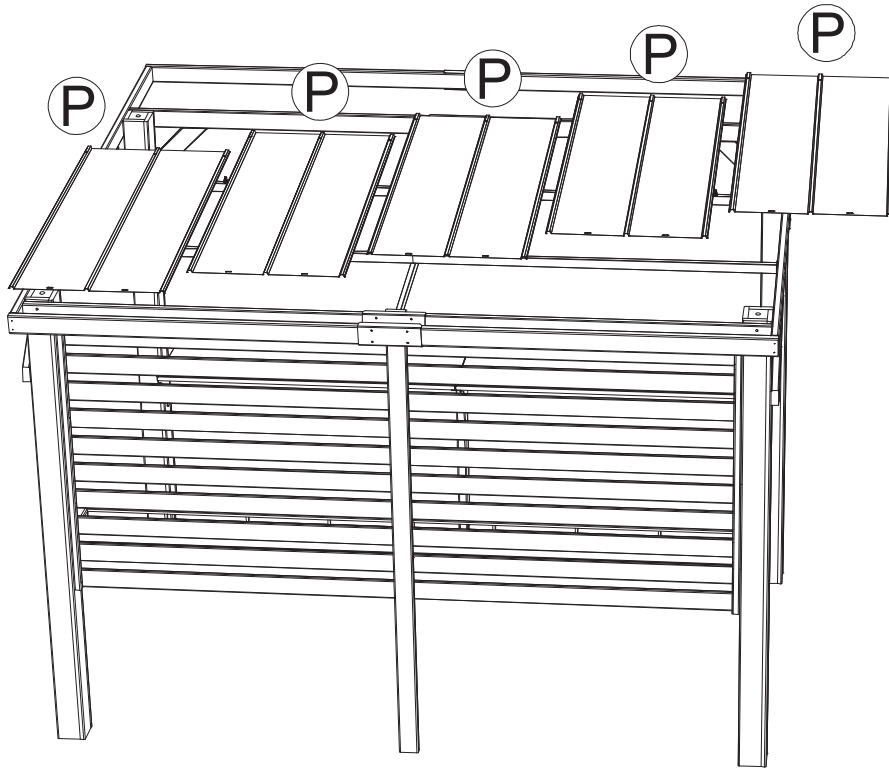
10

H5




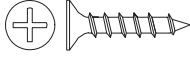



M6-16

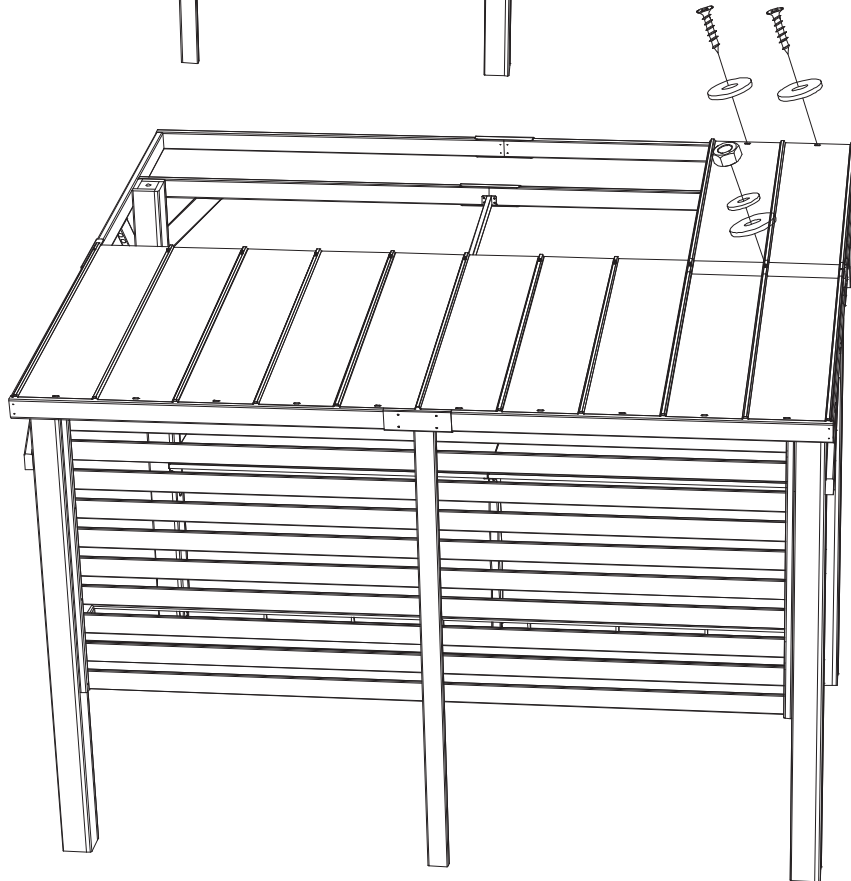
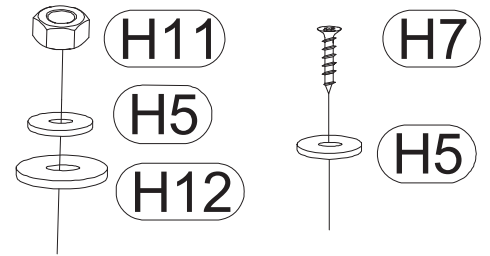
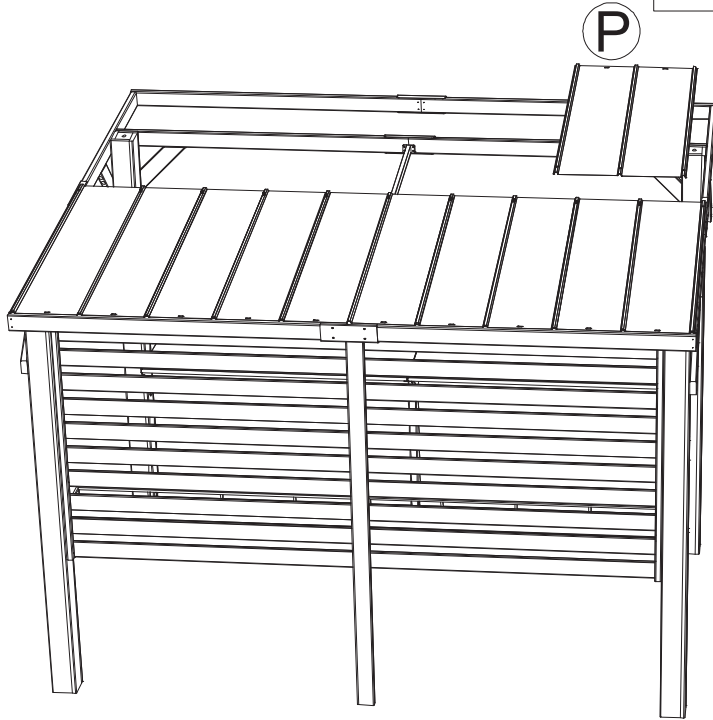
10



STEP



31

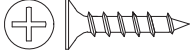


P		1	H7		M4X25	2	
H11		M6	1	H5		M6-16	3
			H12		RUBBER	1	



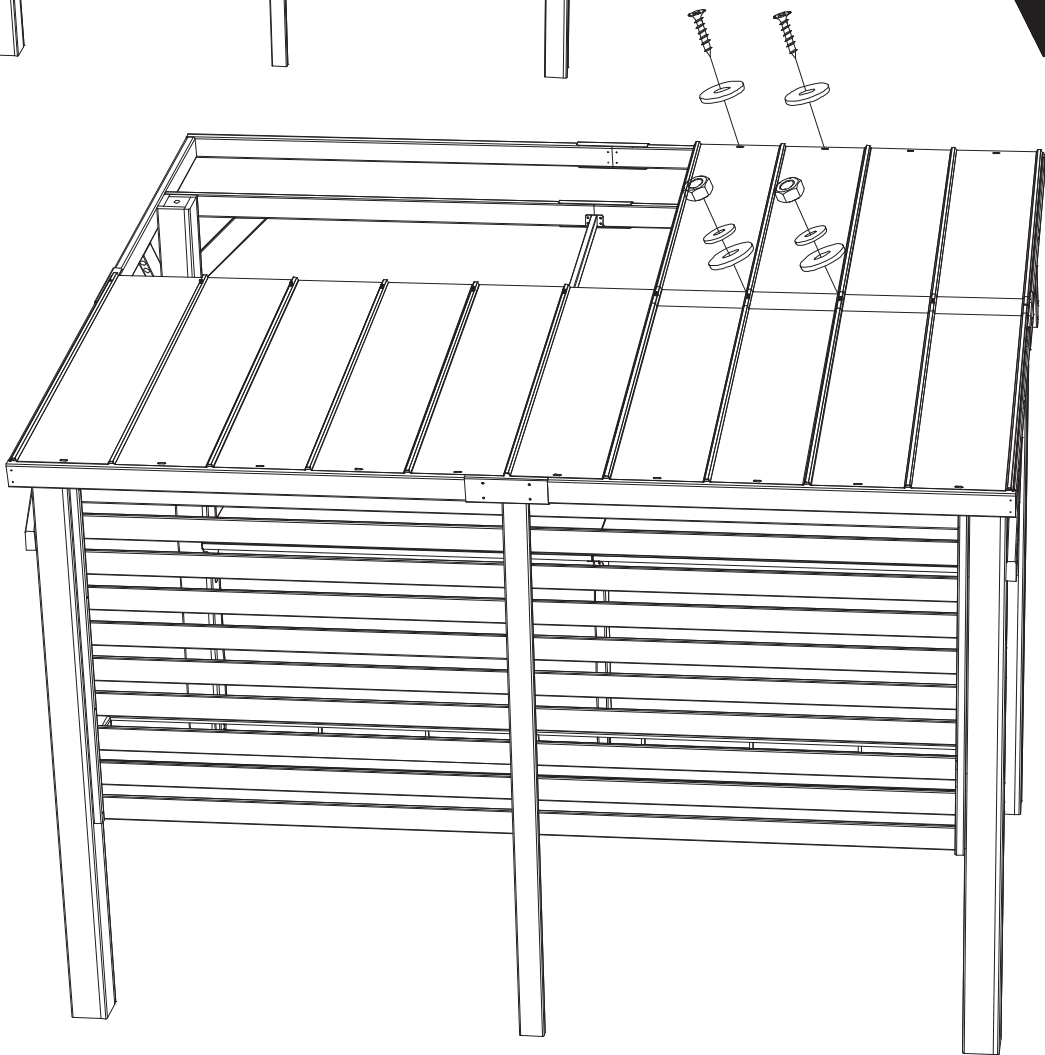
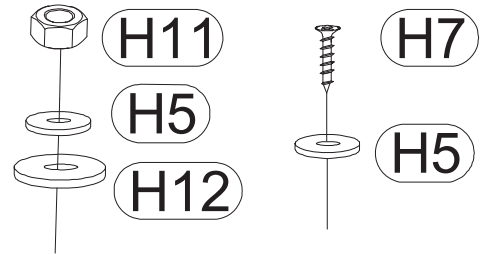
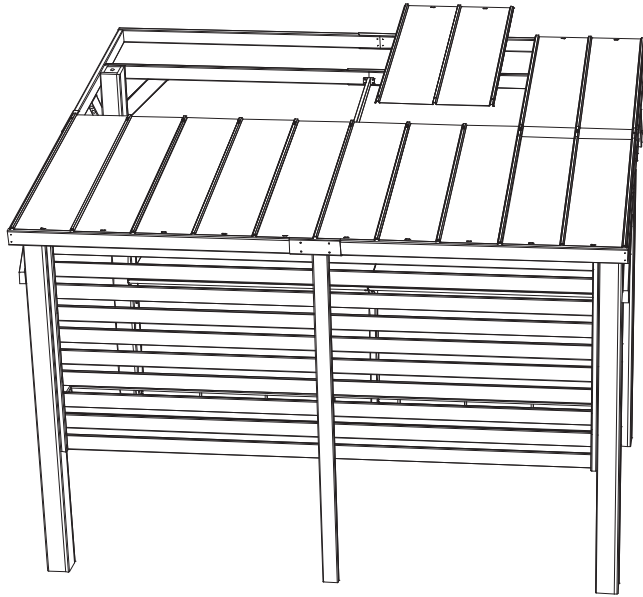
STEP

32

P		1
H11		M6
		2



H7		M4X25	2
H5		M6-16	4
H12		RUBBER	2

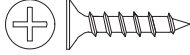


(P)

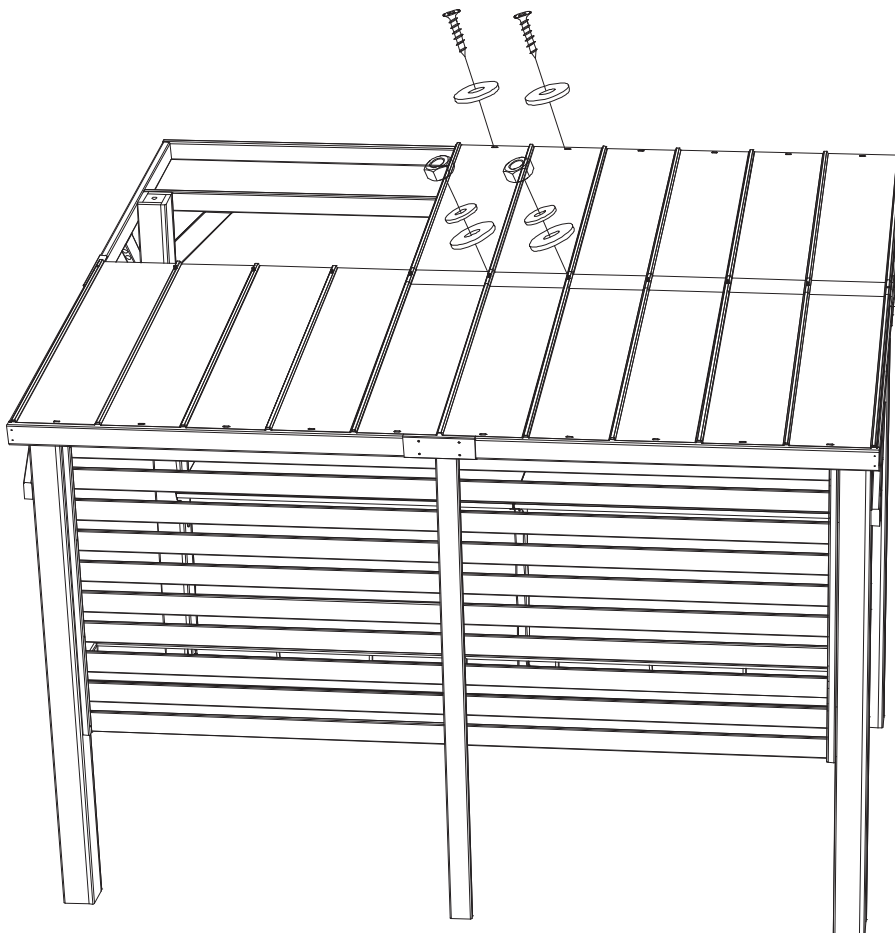
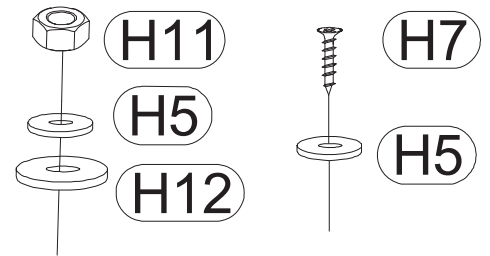
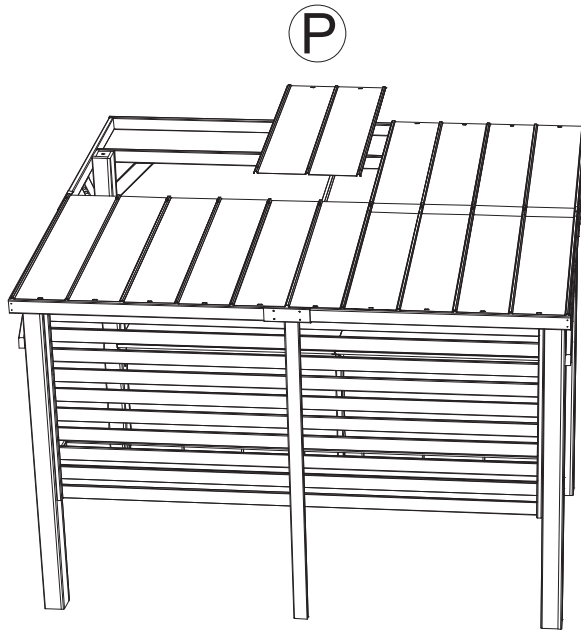


STEP

33



P		1
H11		M6
		2

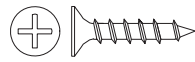


H7		M4X25	2
H5		M6-16	4
H12		RUBBER	2



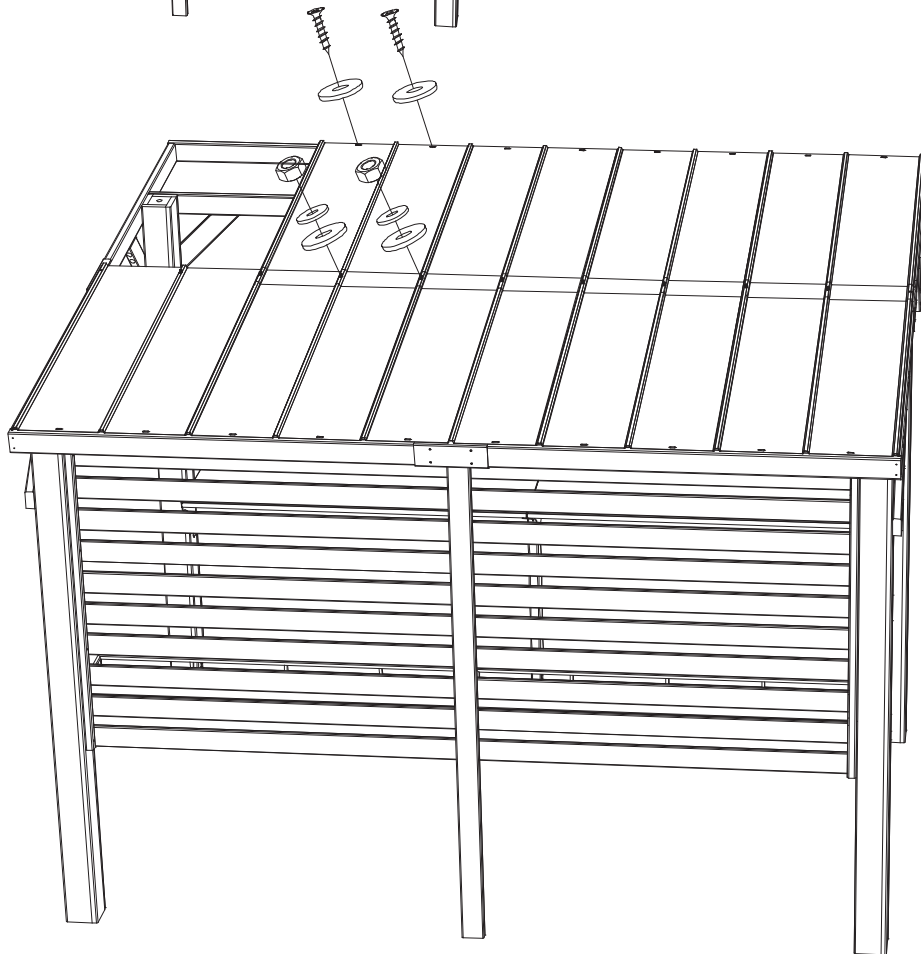
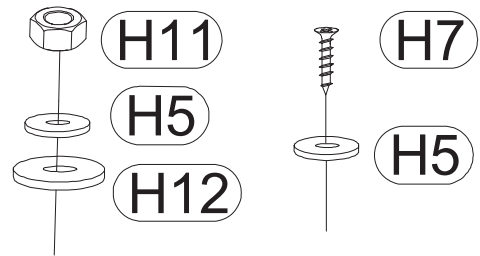
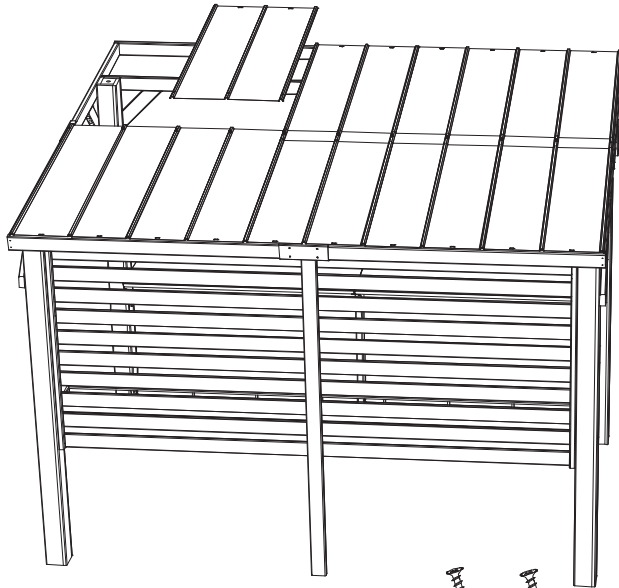
STEP

34

P		1
H11		M6
		2



H7		M4X25	2
H5		M6-16	4
H12		RUBBER	2

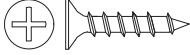


(P)

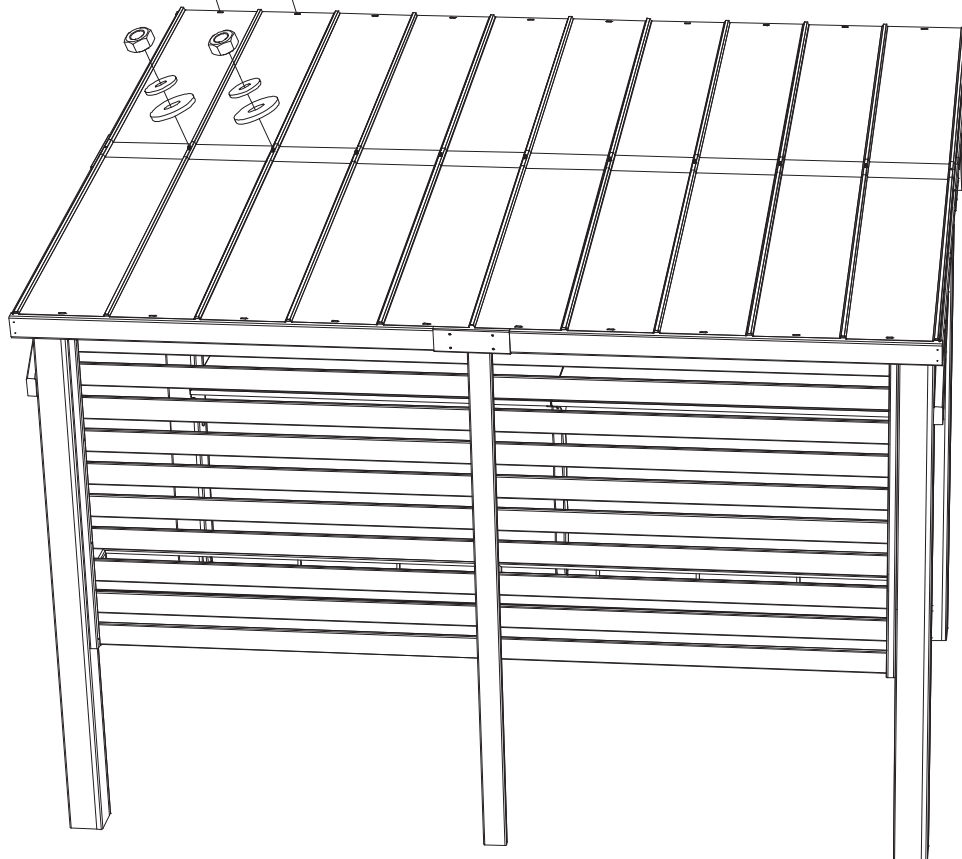
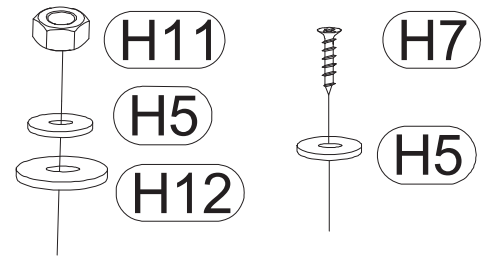
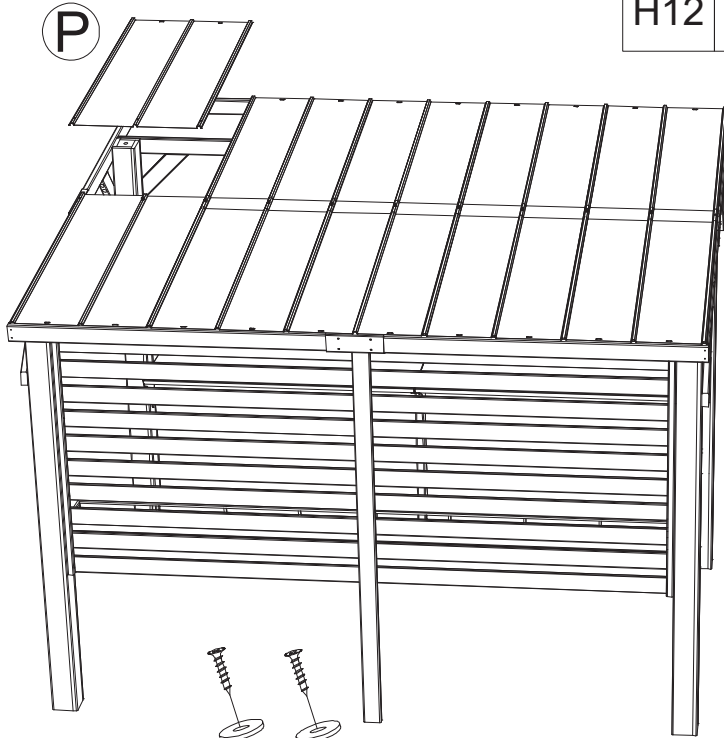


STEP

35

P		1
H11	 M6X16	2

H7		M4X25	2
H5		M6-16	4
H12		RUBBER	2



STEP

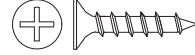
36

J3



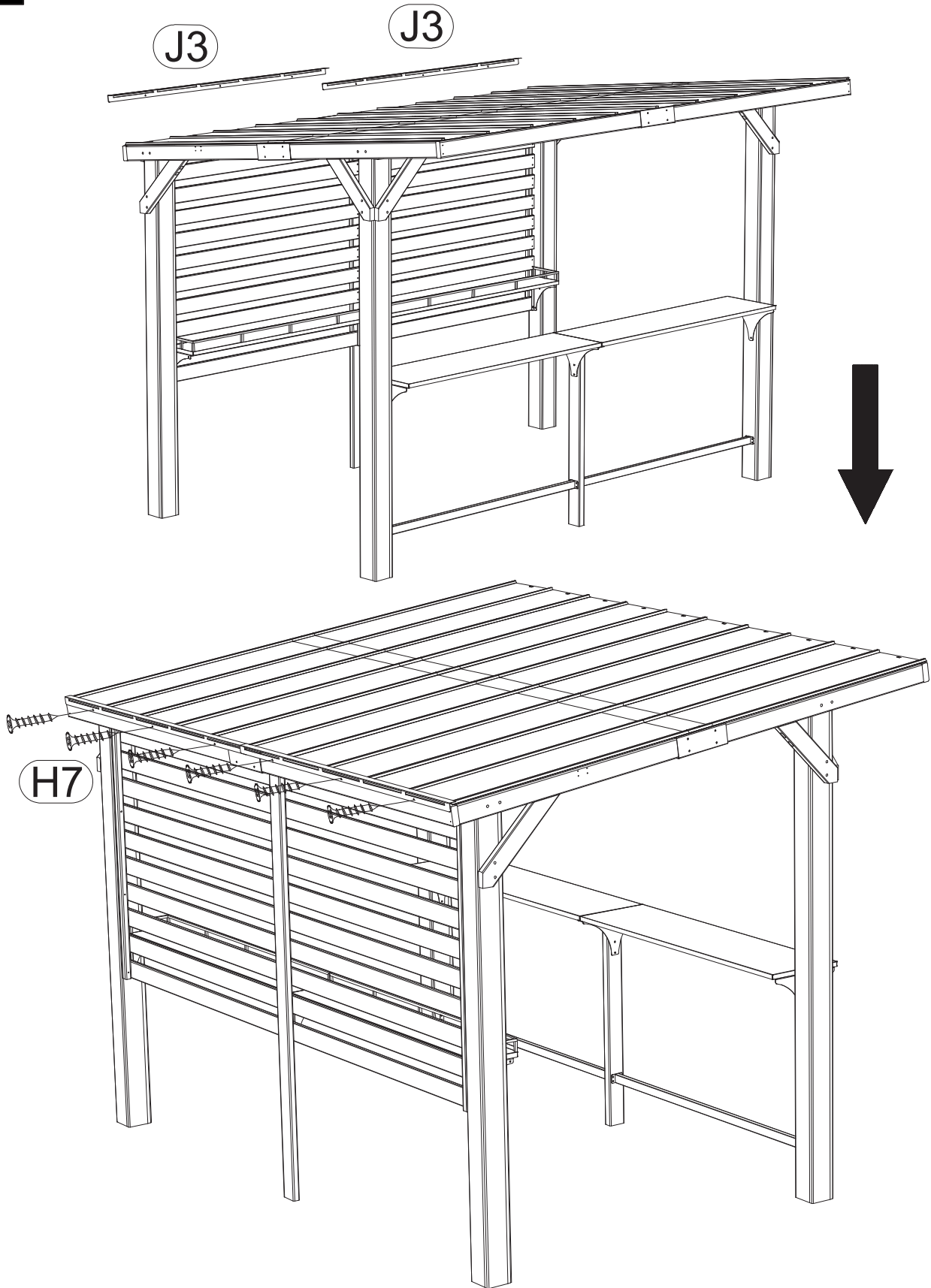
2

H7



M4X25

6



STEP

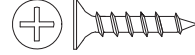
37

J1



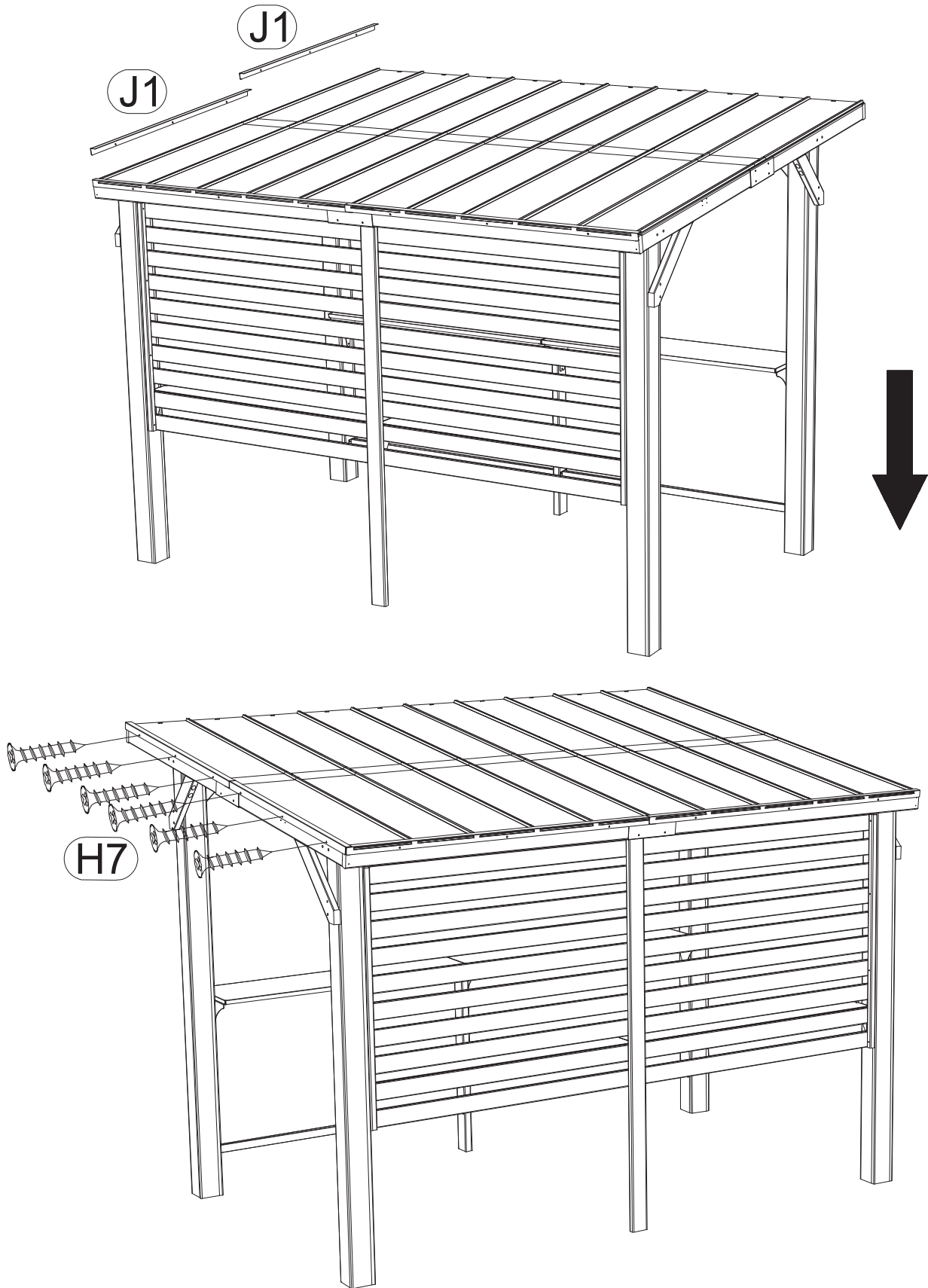
2

H7



M4X25

6



STEP

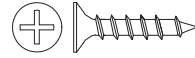
38

J1



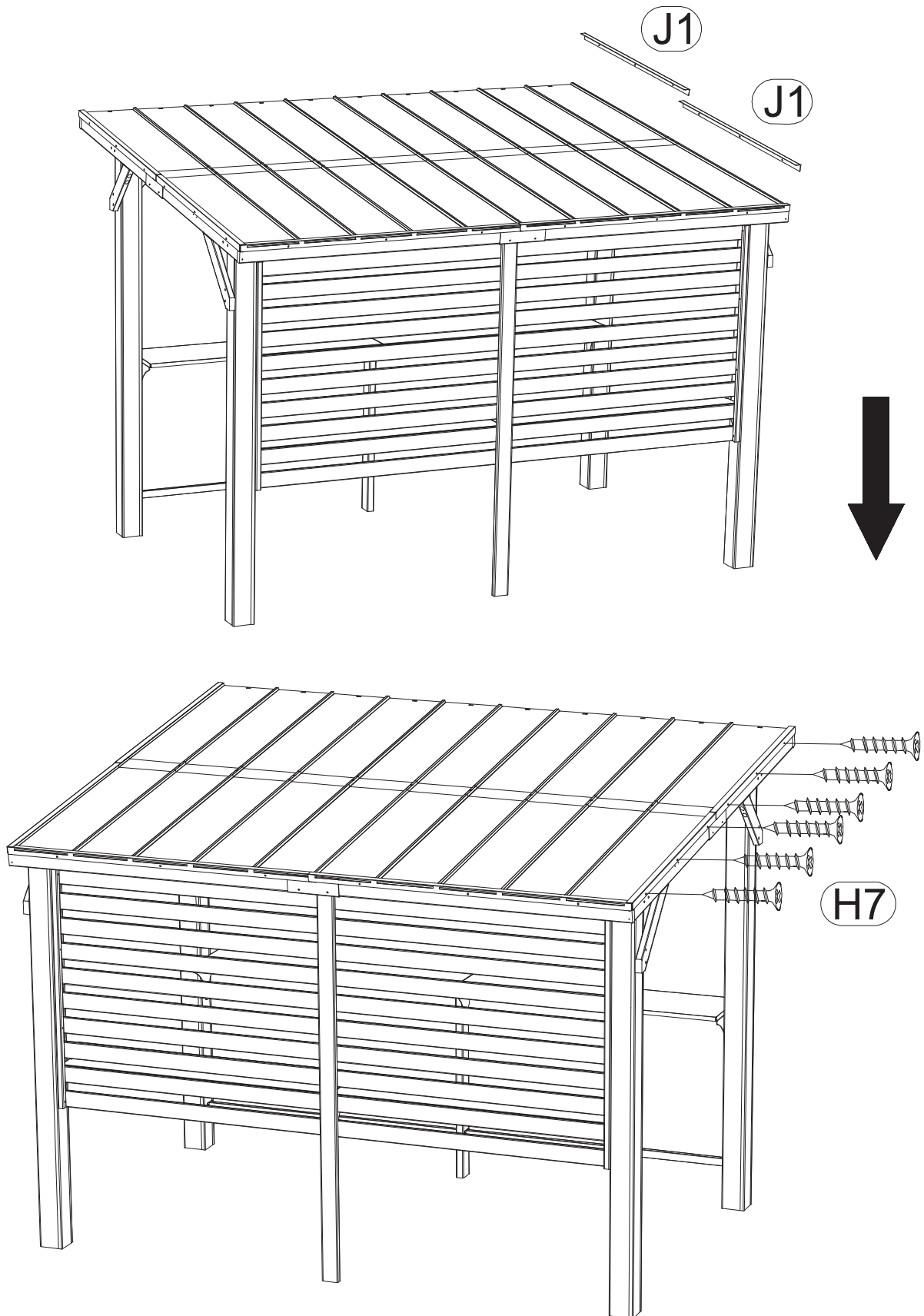
2

H7



M4X25

6



STEP

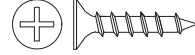
39

J2



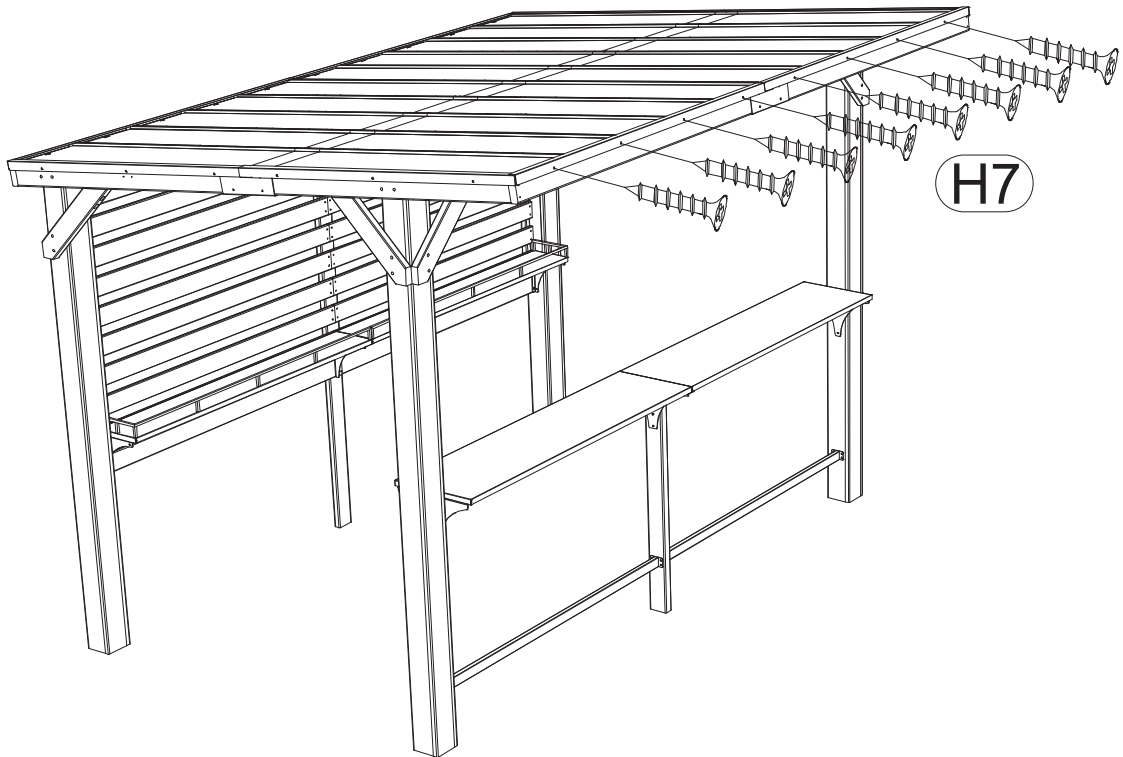
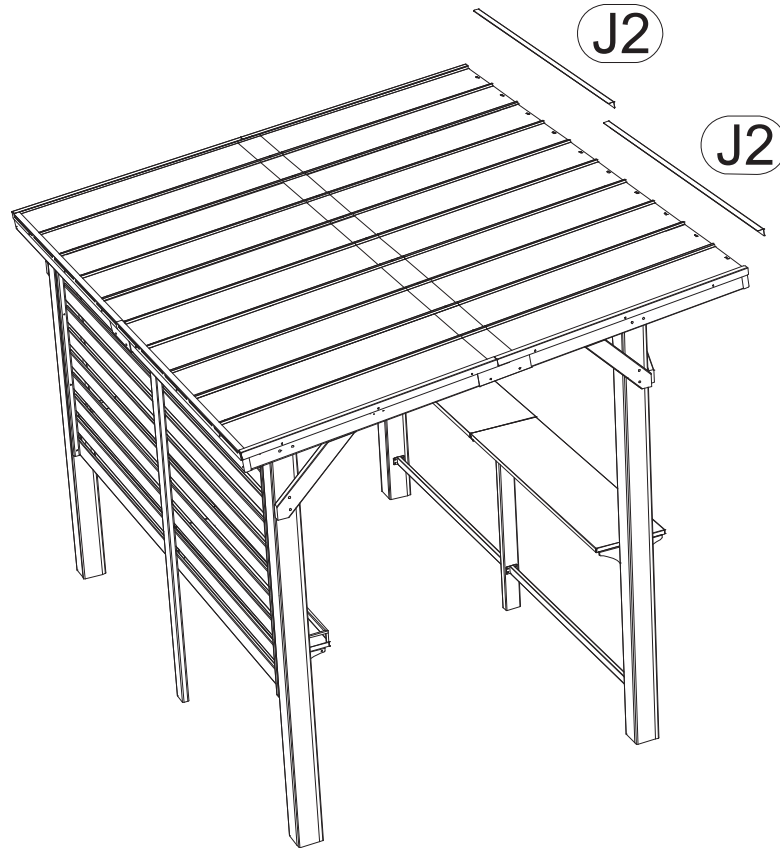
2

H7



M4X25

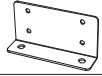
8



STEP

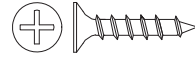
40

S1



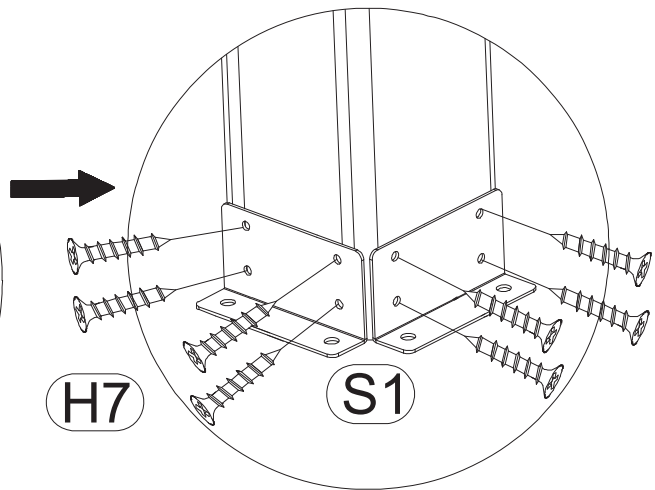
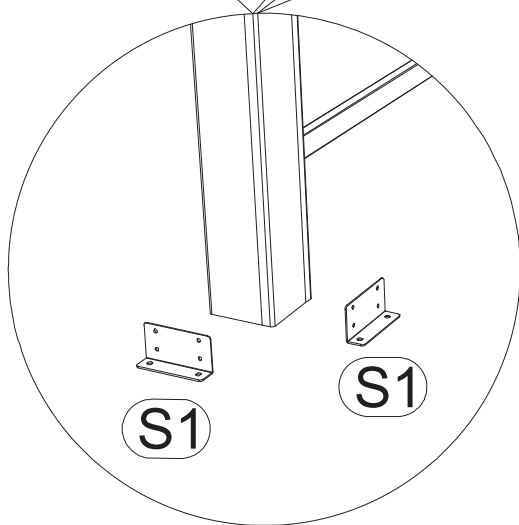
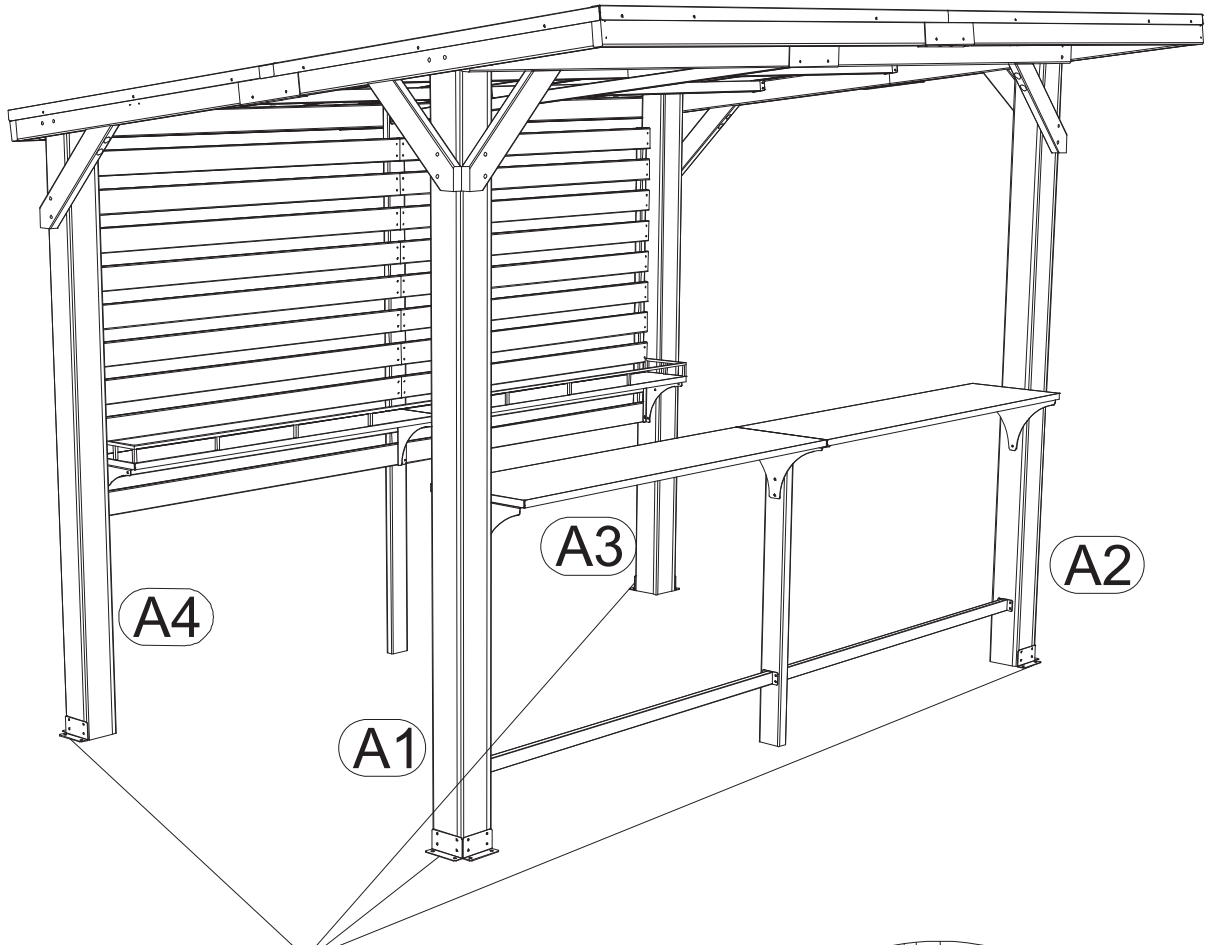
8

H7



M4X25

32



STEP

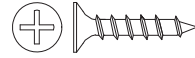
41

S2



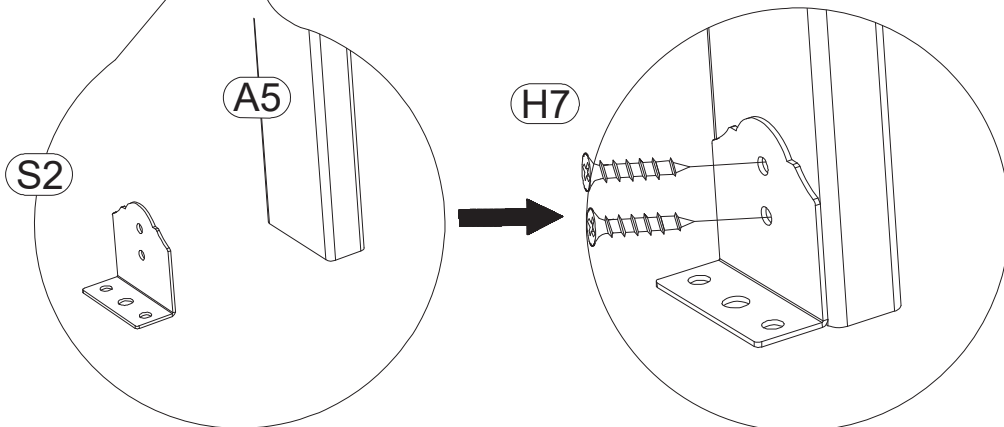
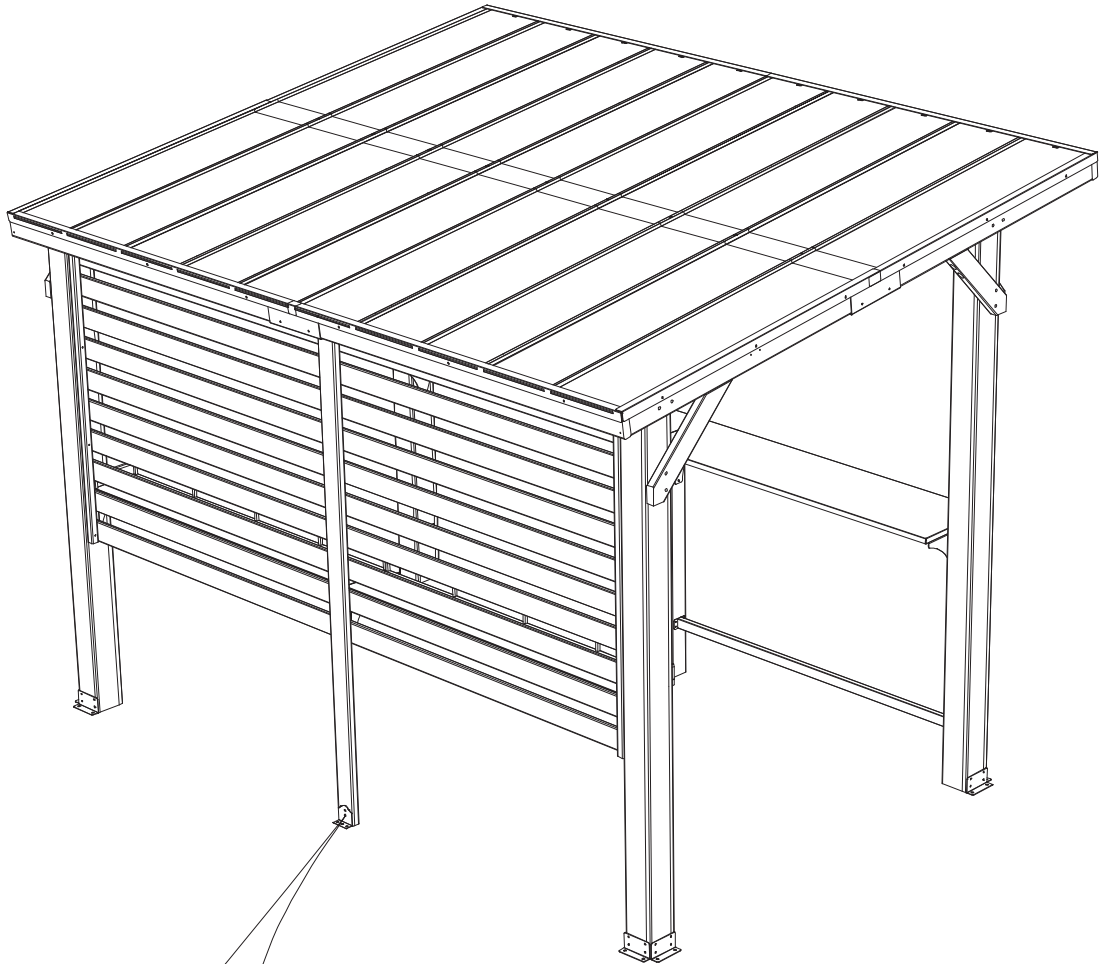
1

H7



M4X25

2



STEP

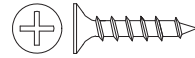
42

S2



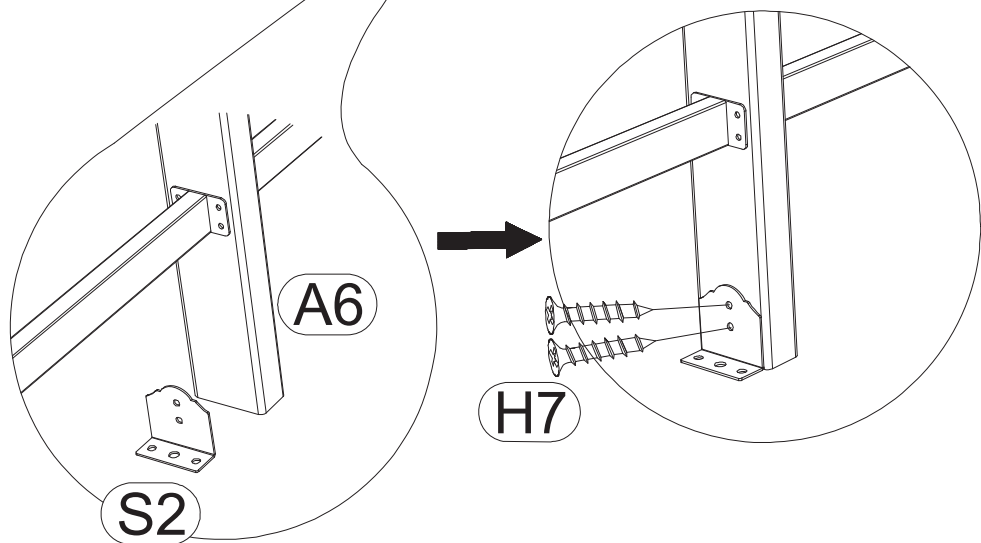
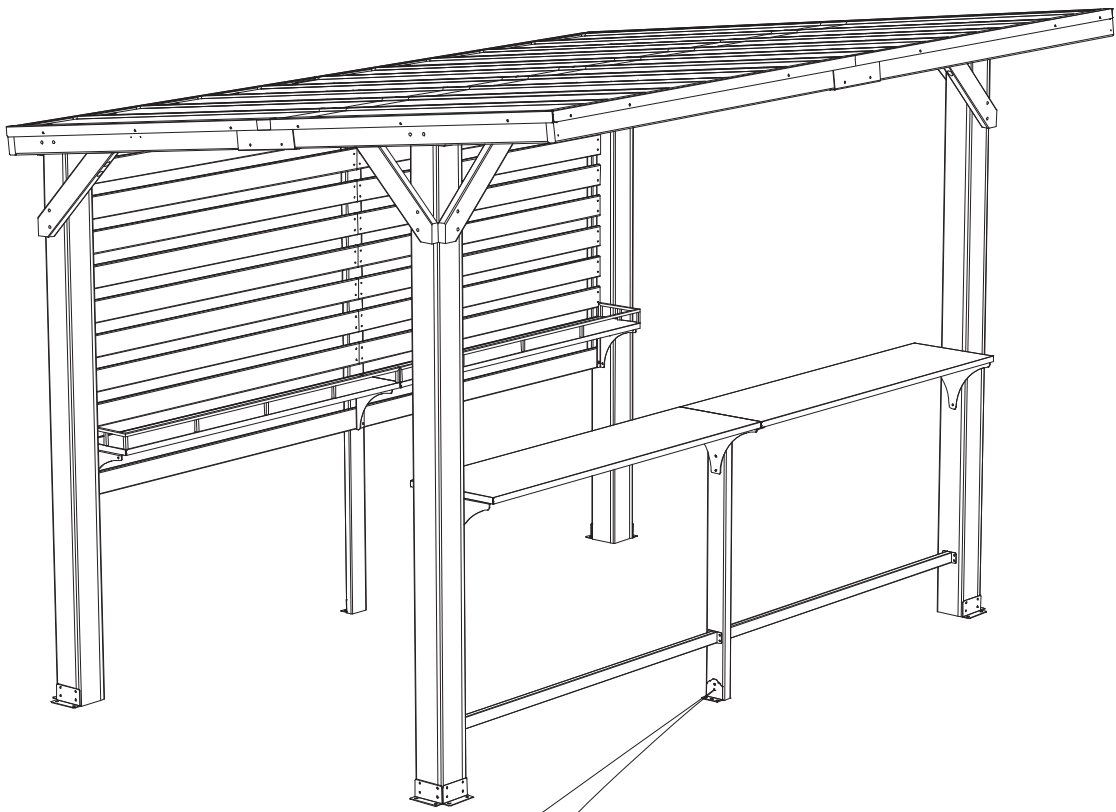
1

H7




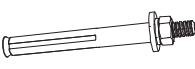
M4X25

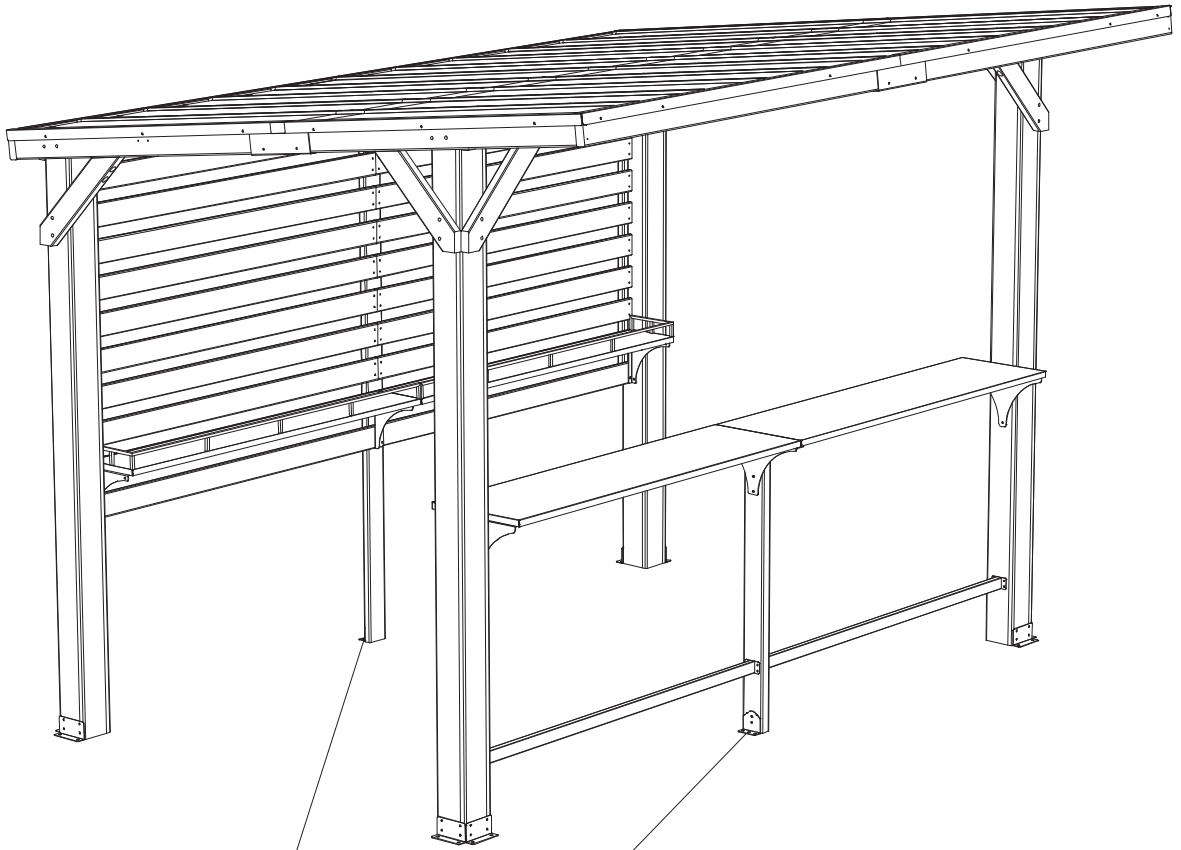
2



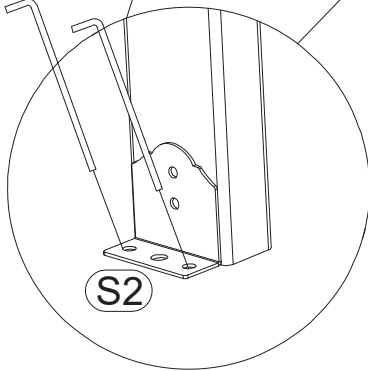
STEP

43

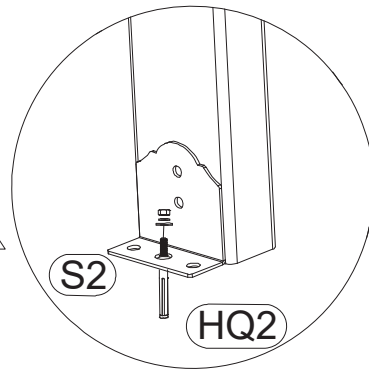
HQ1		4X140	4
HQ2		M8X70	2



HQ1


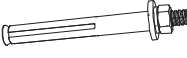


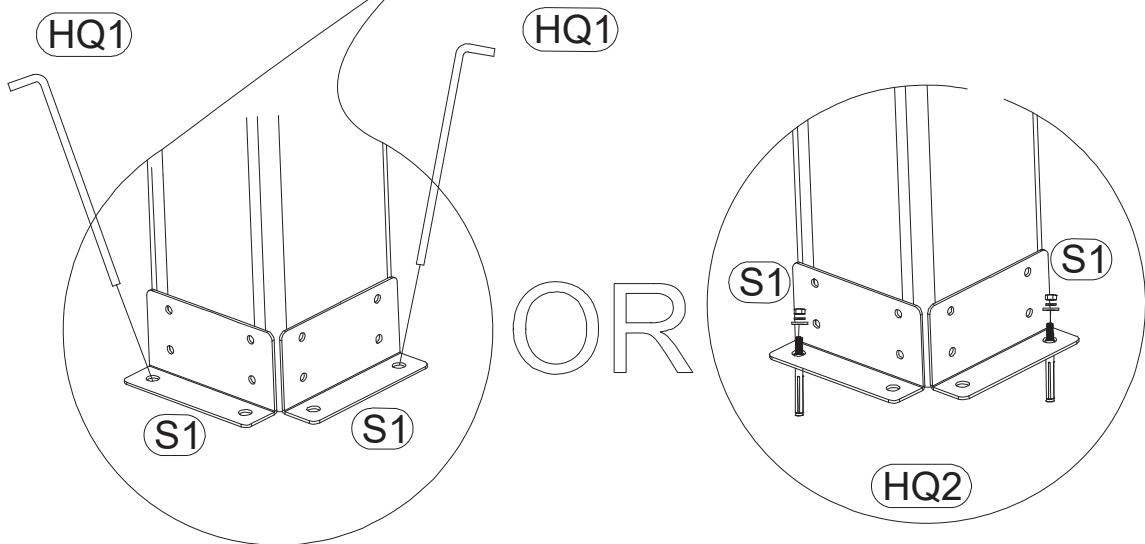
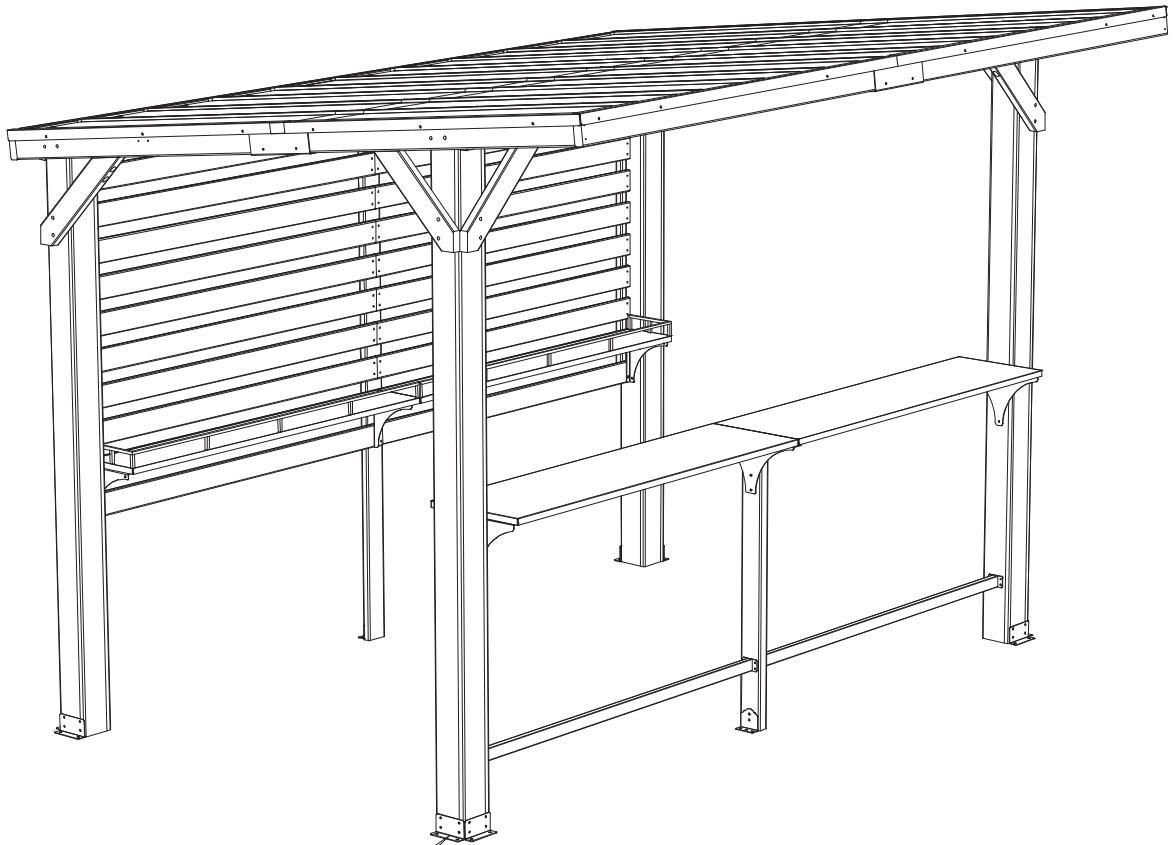
OR



STEP

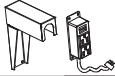


44

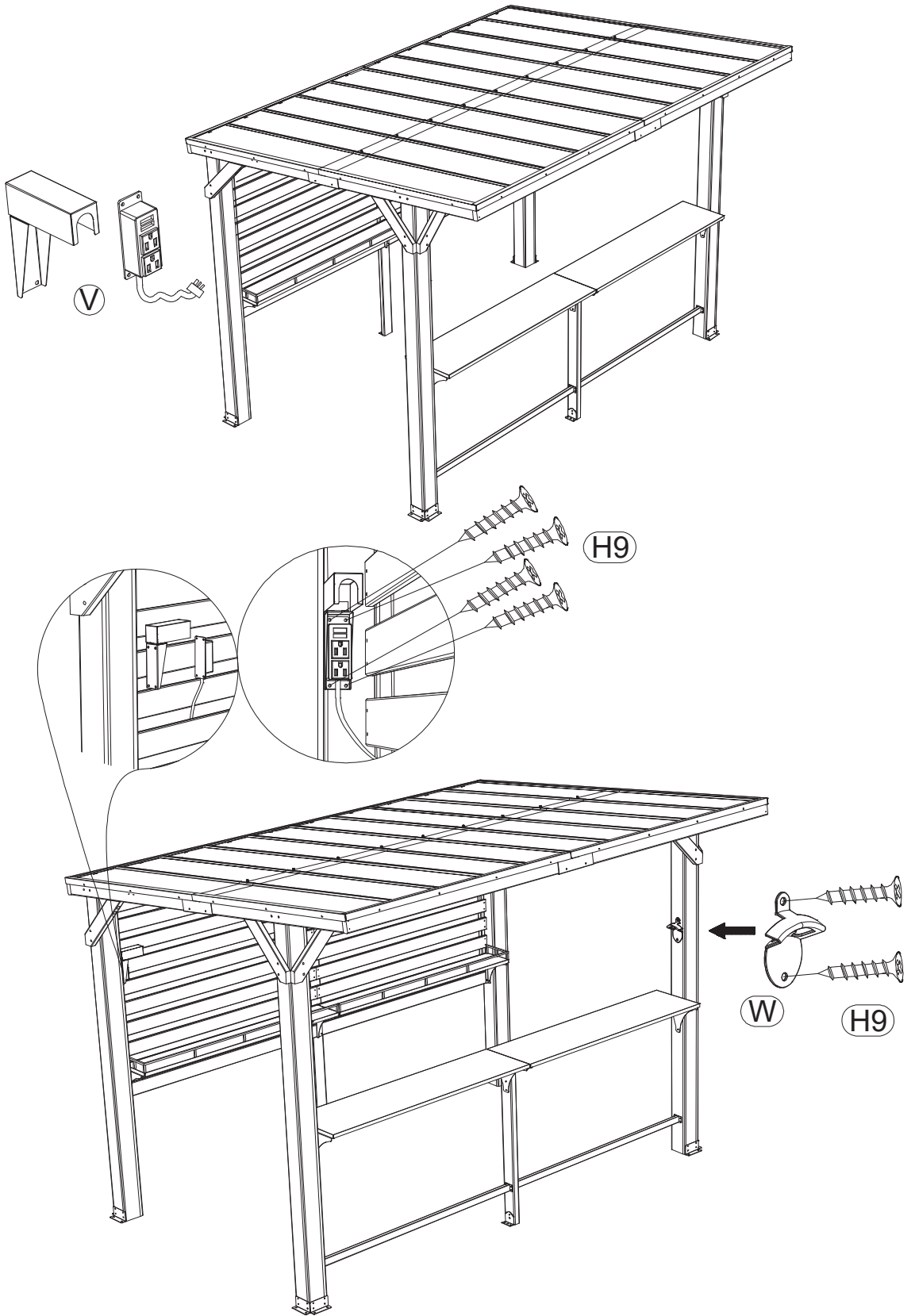
HQ1		4X140	8
HQ2		M8X70	8



STEP

45

V		1	H9		M4X16	6
W		1				



STEP

46

U



1

H9



M4X16

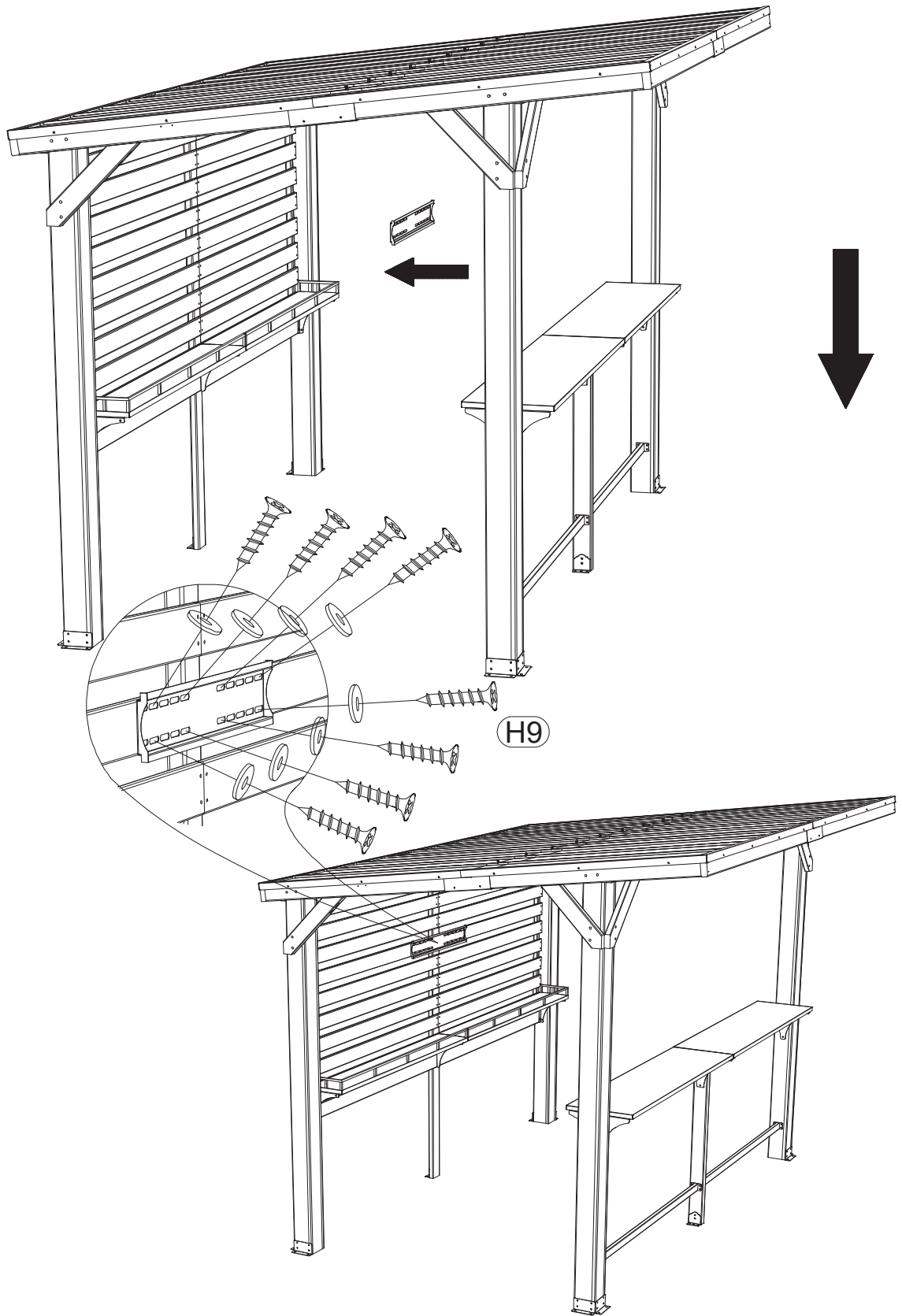
8

H5

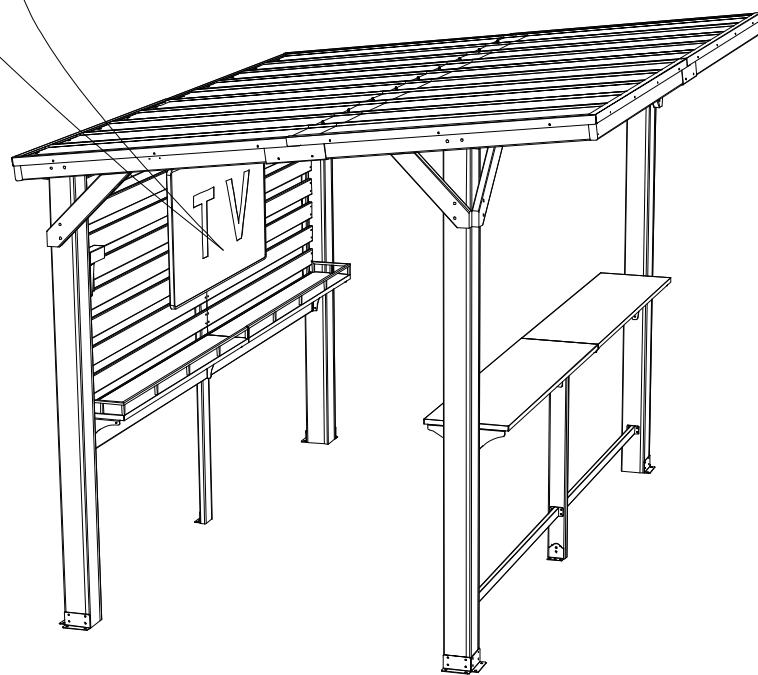
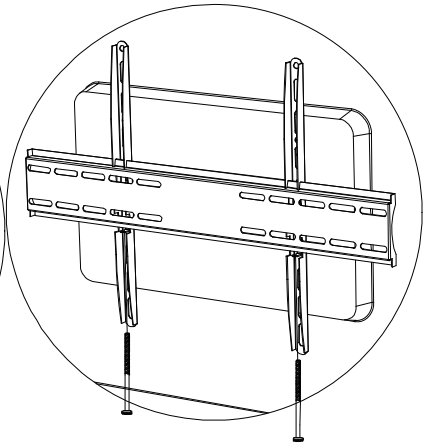
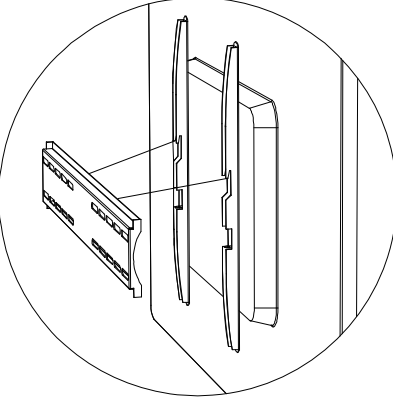
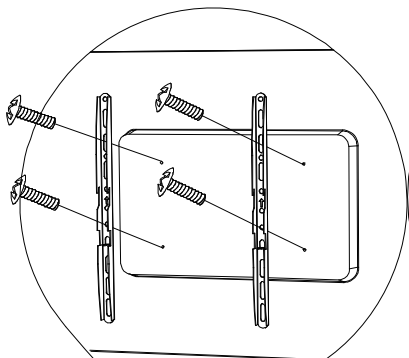
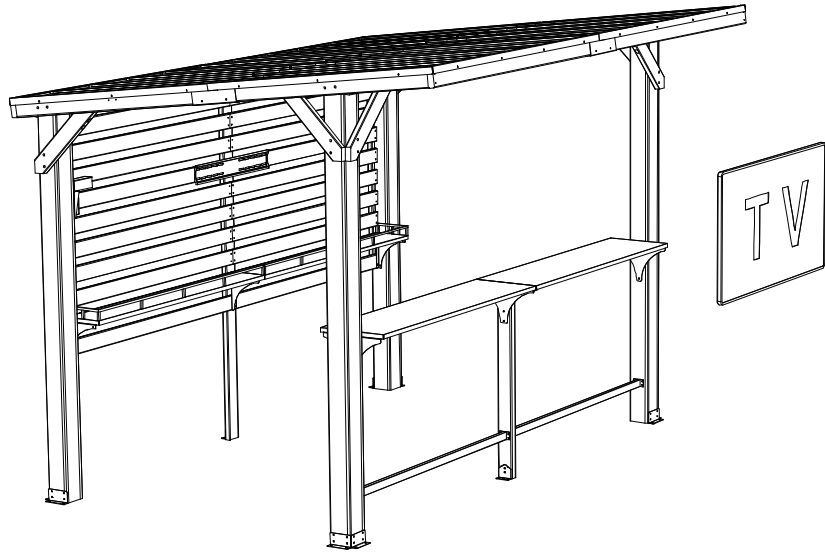


M6-16

8



47



EN

AFTER-SALE SERVICE

If you have any suggestions for our products or notice any quality issues, please contact us first. Our after-sales team will respond within 24 hours and will do everything possible to provide you with a satisfactory solution.

Guaranteed Customer Service

Your shopping experience is very important to us!

Feel unsatisfied? **Contact us!**

Have any questions? **Contact us!**

Would you like to share how our products make your home cozier?

Share your pictures with us.

Any suggestions? **Contact us!**

We will check and give feedback.



Homefurnitureserviceteam@outlook.com

