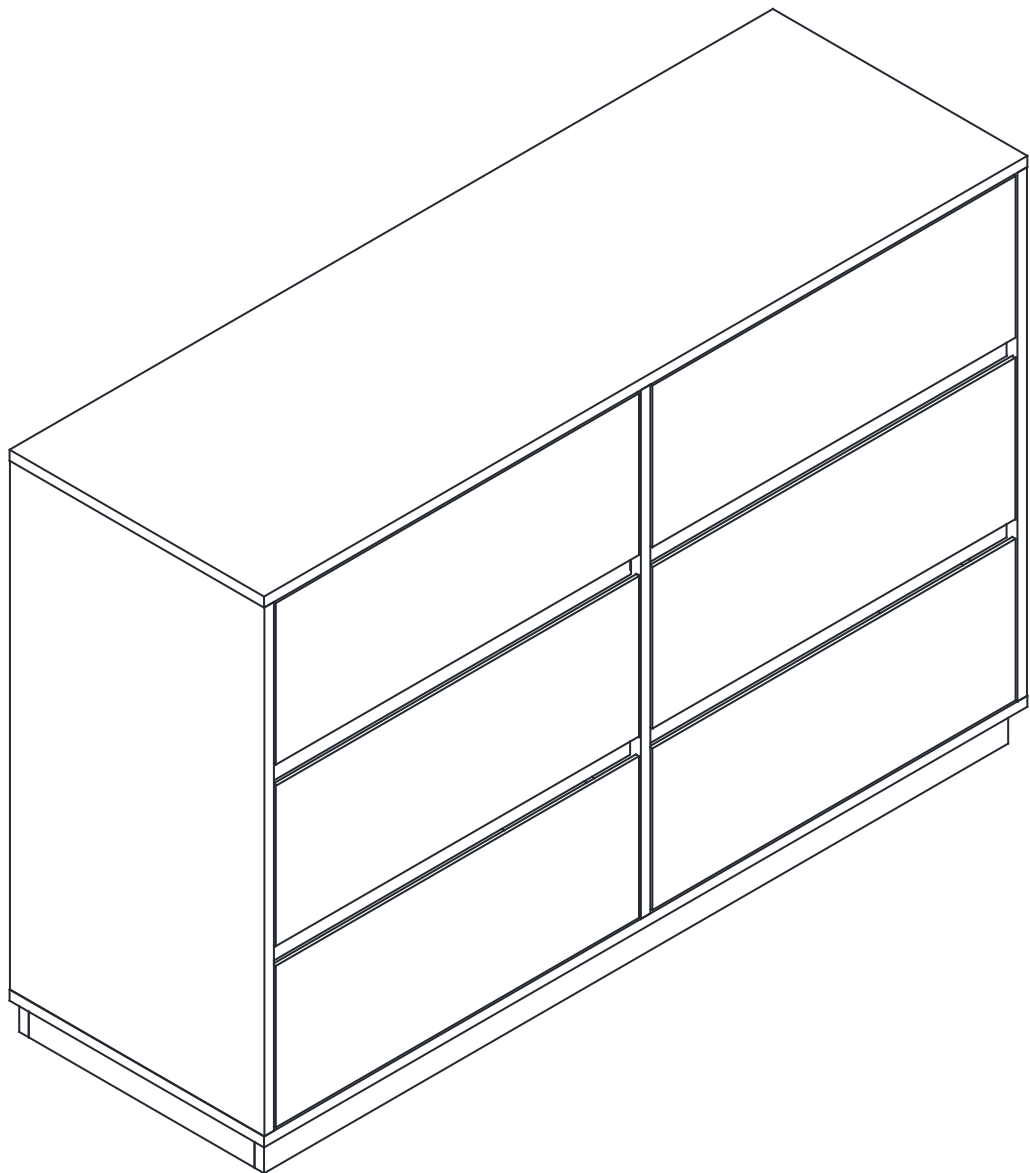
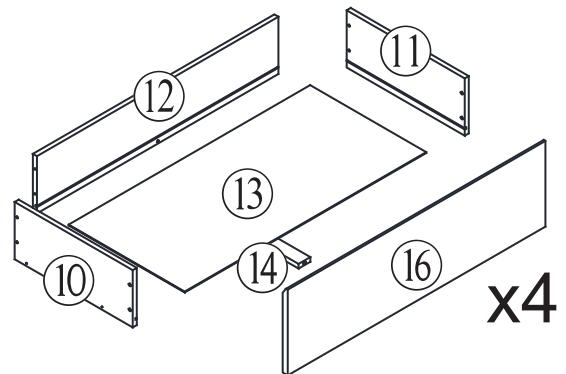
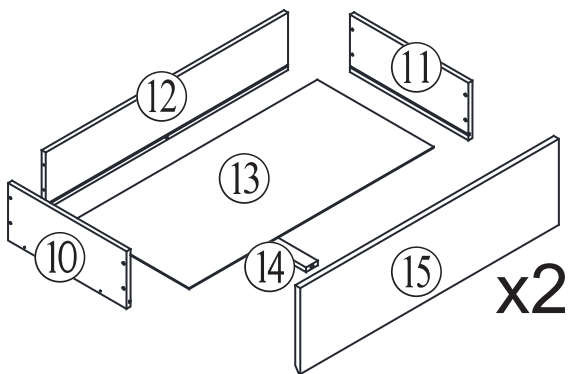
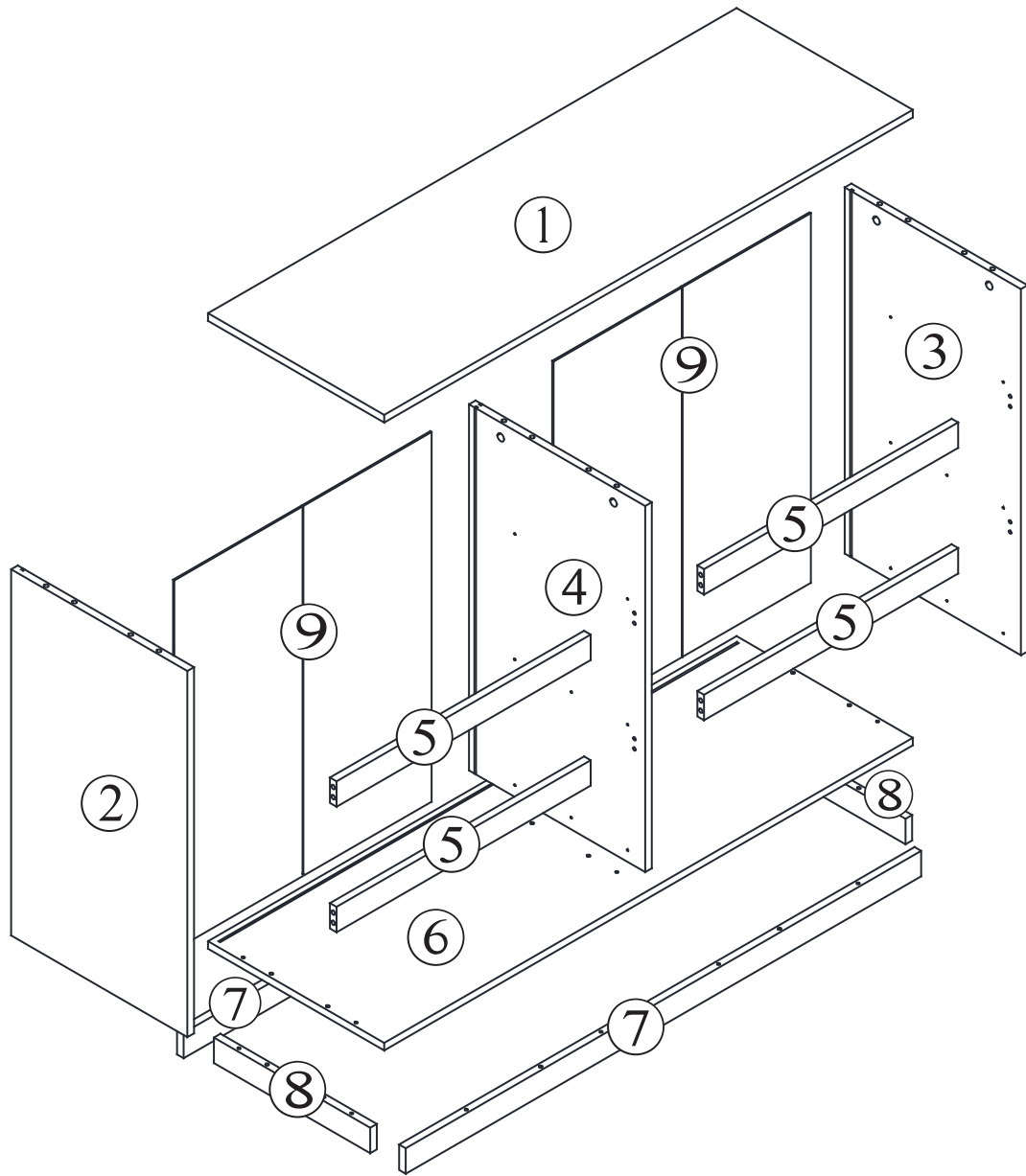
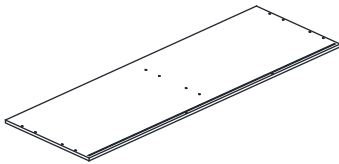
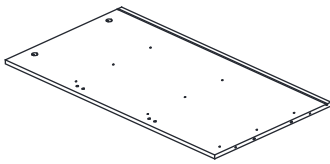
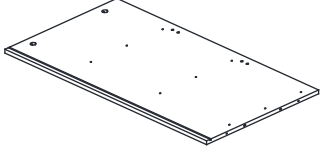
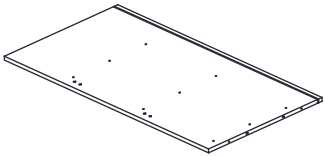
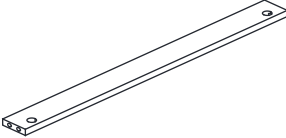
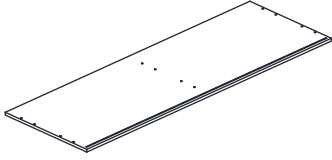
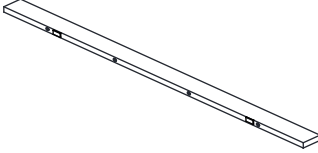
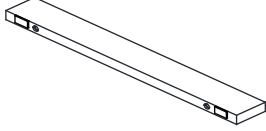
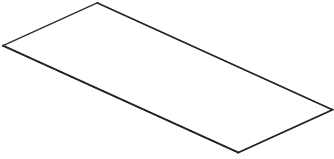
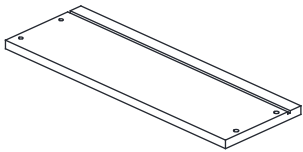
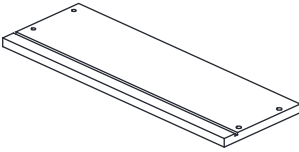
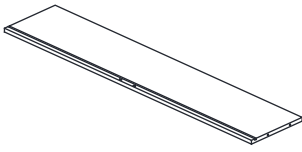
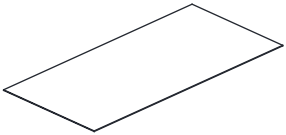
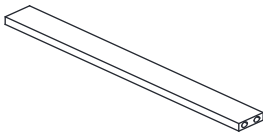
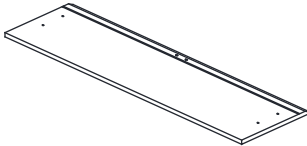
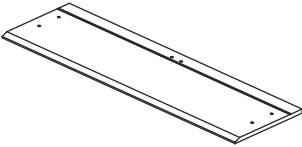


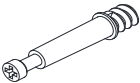

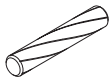
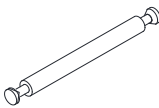



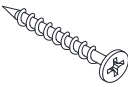
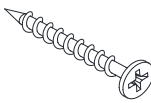
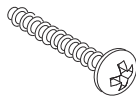
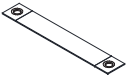
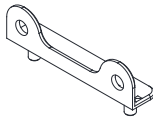



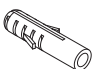
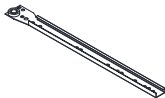
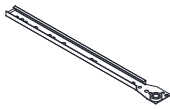
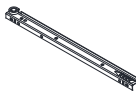
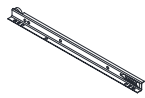

# ASSEMBLY INSRTRUCTION

## 6DRAWER CHEST

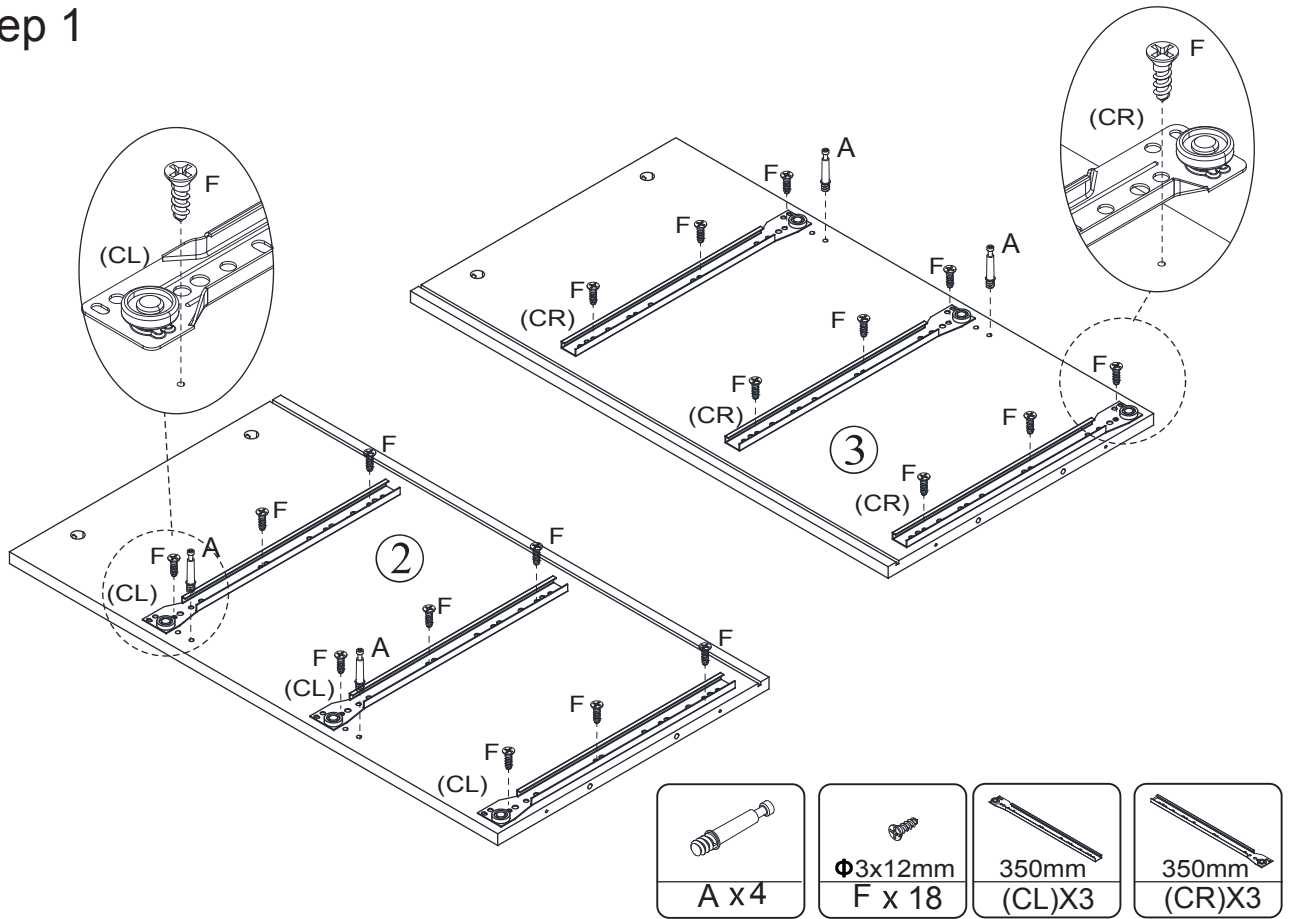




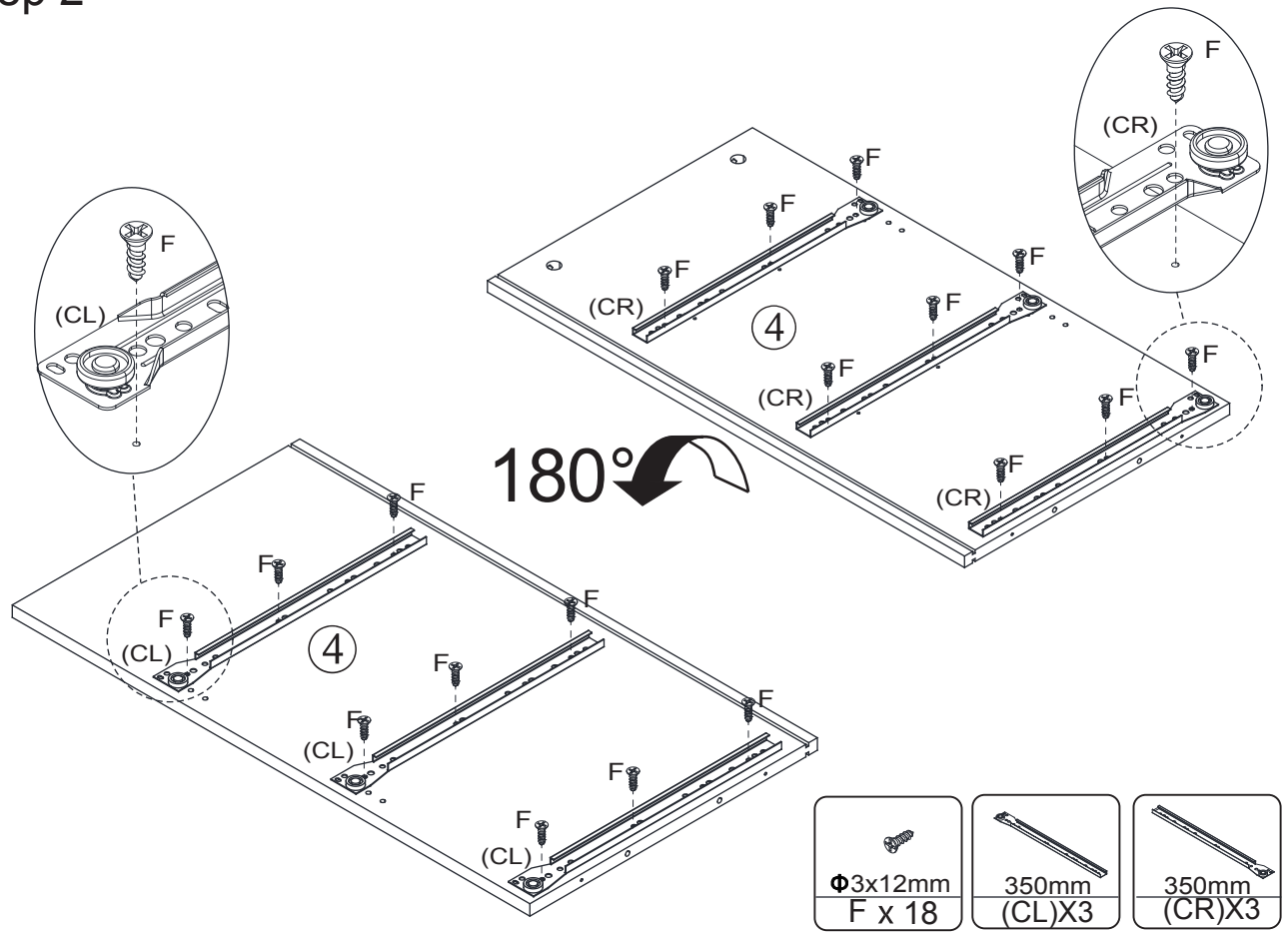
			
① X1	② X1	③ X1	④ X1
			
⑤ X4	⑥ X1	⑦ X2	⑧ X2
			
⑨ X4	⑩ X6	⑪ X6	⑫ X6
			
⑬ X6	⑭ X6	⑮ X2	⑯ X4

					
AX16	BX20	Φ6x30mm CX38	DX2	Φ6x50mm EX2	
					
Φ3x12mm FX72	GX2	Φ4x30mm HX30	Φ4x40mm IX8	Φ4x45mm JX12	
					
KX2	LX12	Φ4x12mm MX26	NX18	Φ3x14mm OX18	
					
PX2	350mm (CL)X6	350mm (CR)X6	350mm (DL)X6	350mm (DR)X6	Φ3.5x12mm QX24

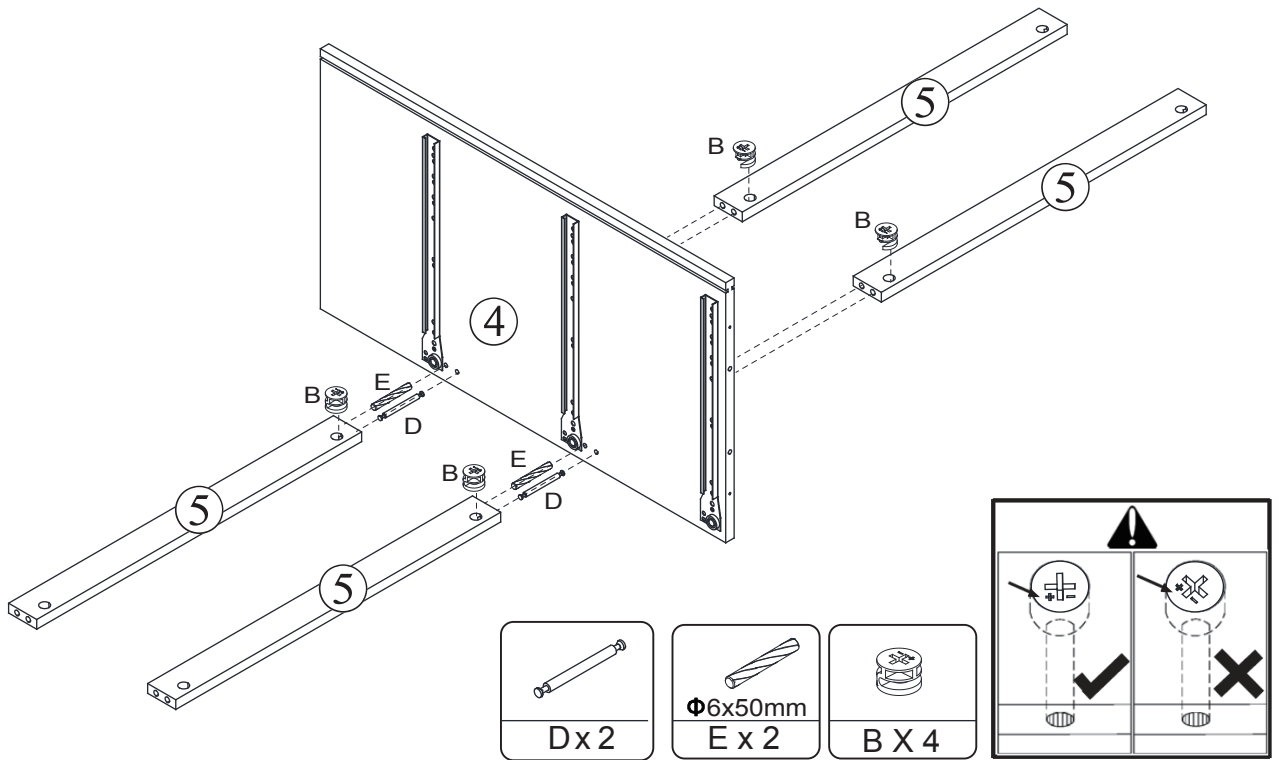
# step 1



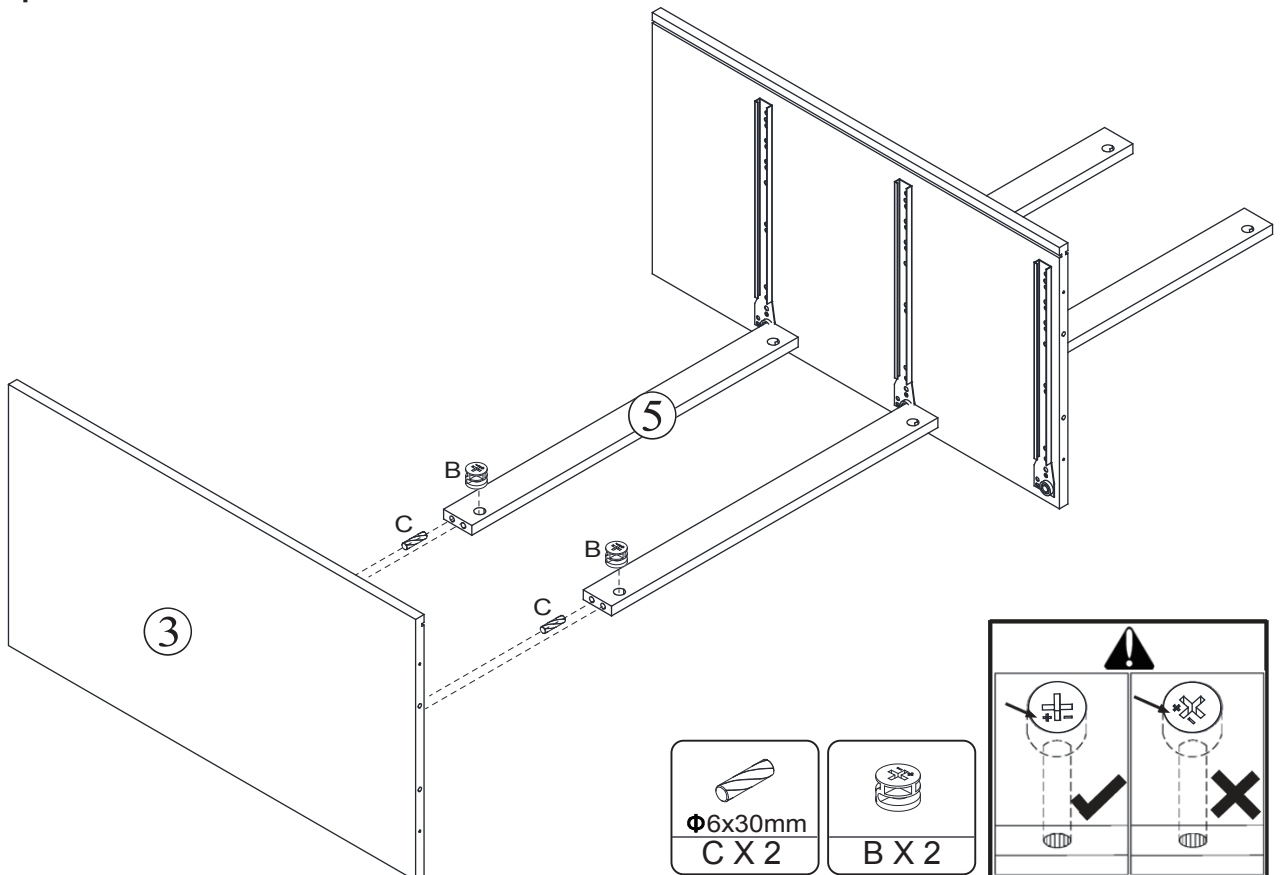
# step 2



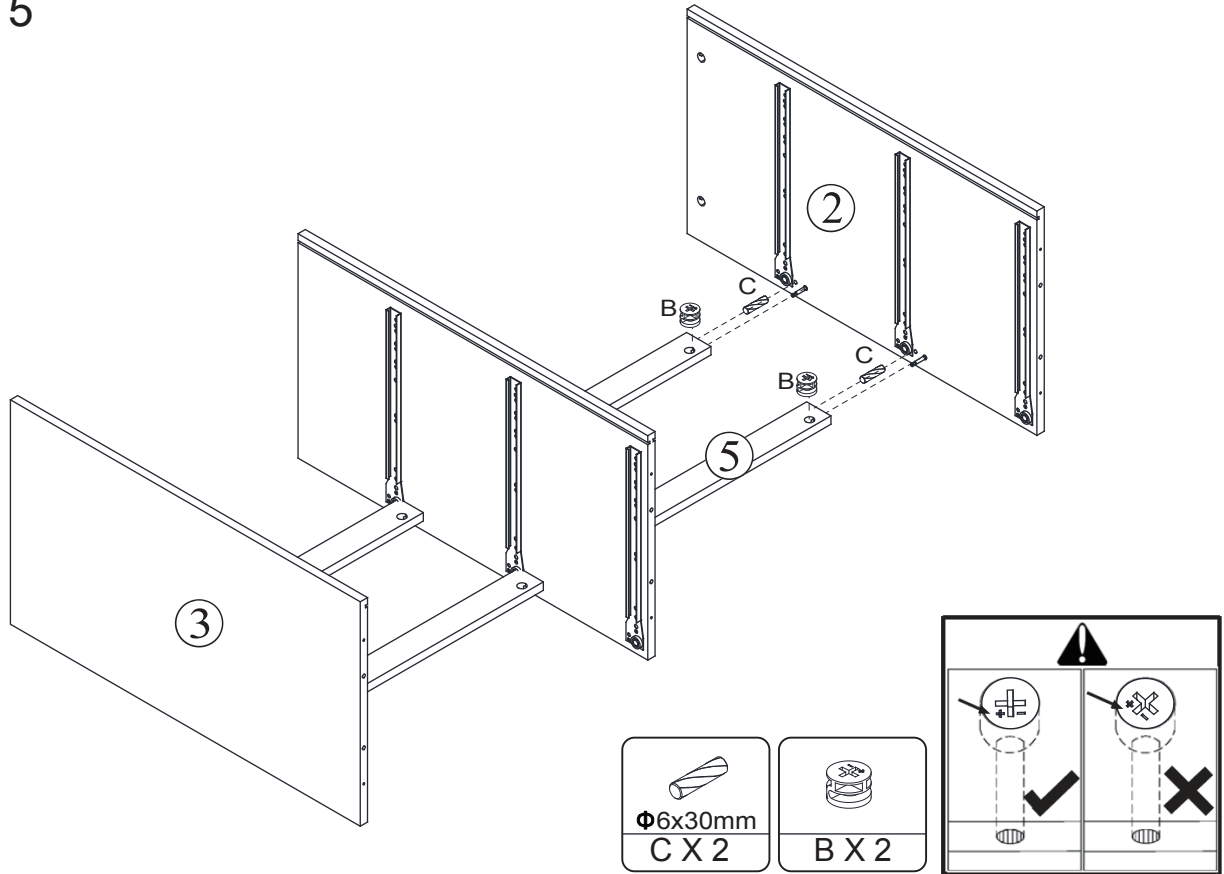
### step 3



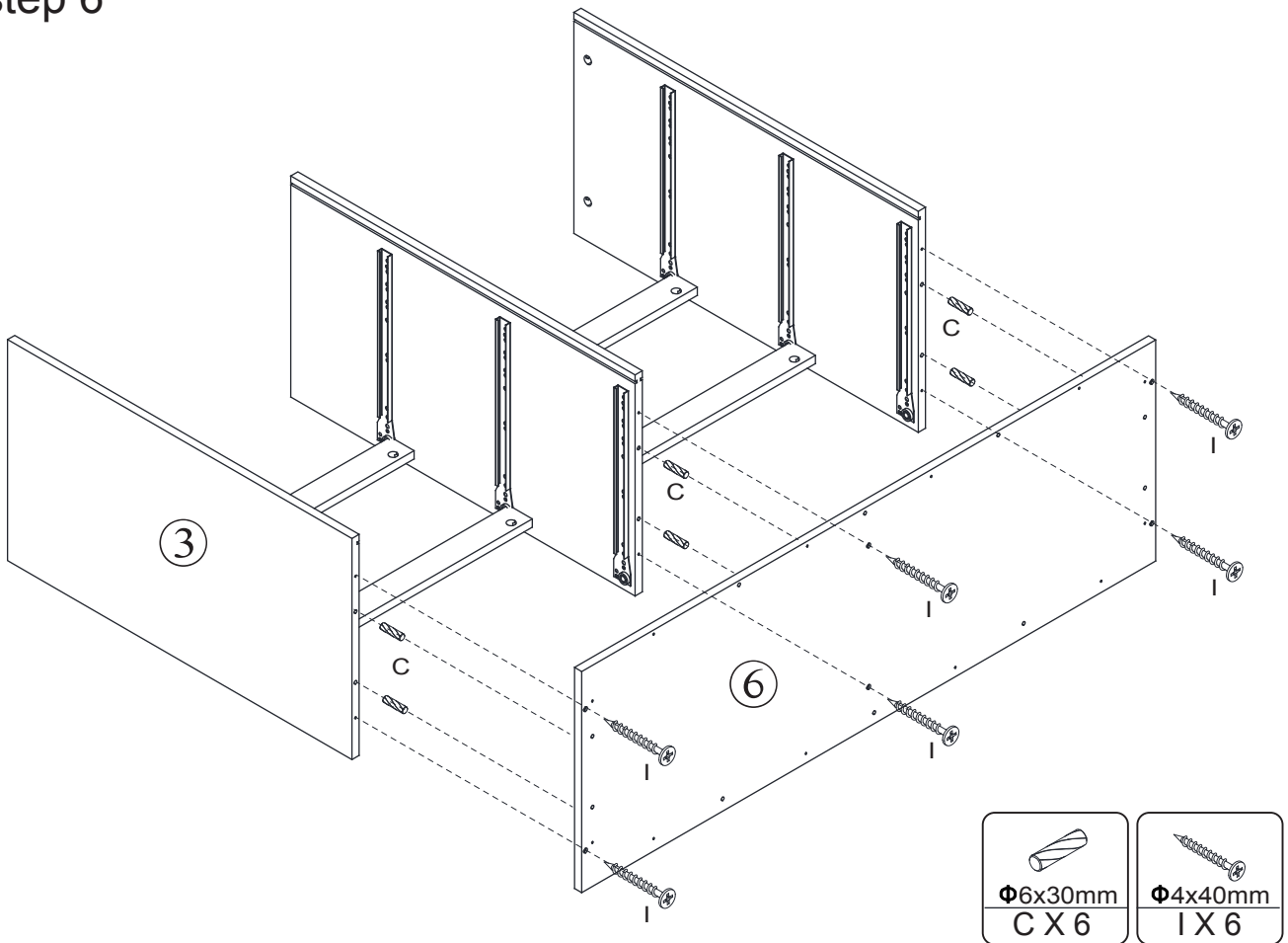
### step 4



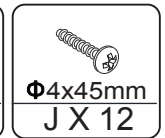
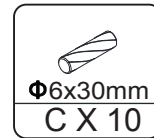
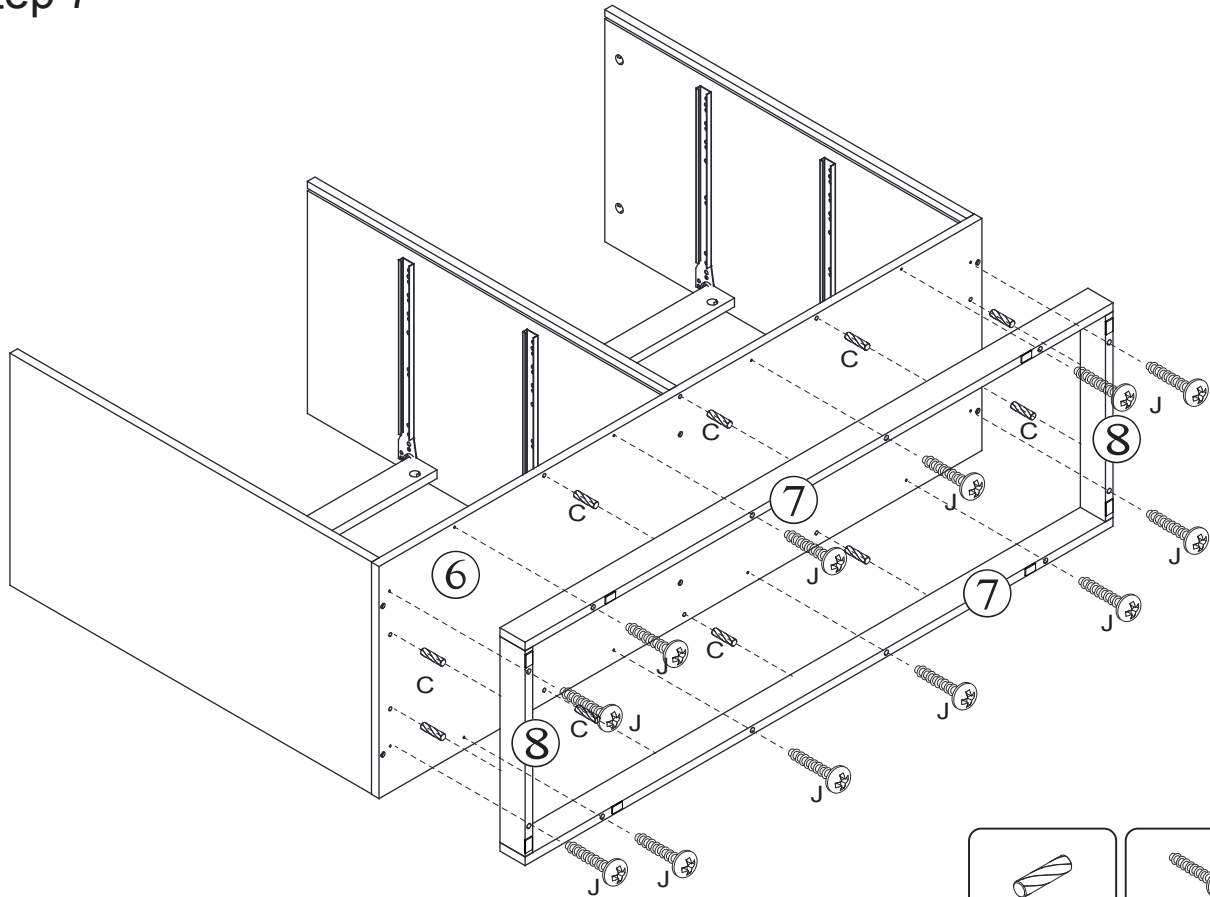
## step 5



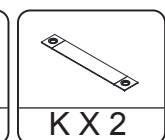
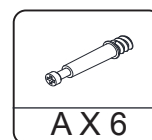
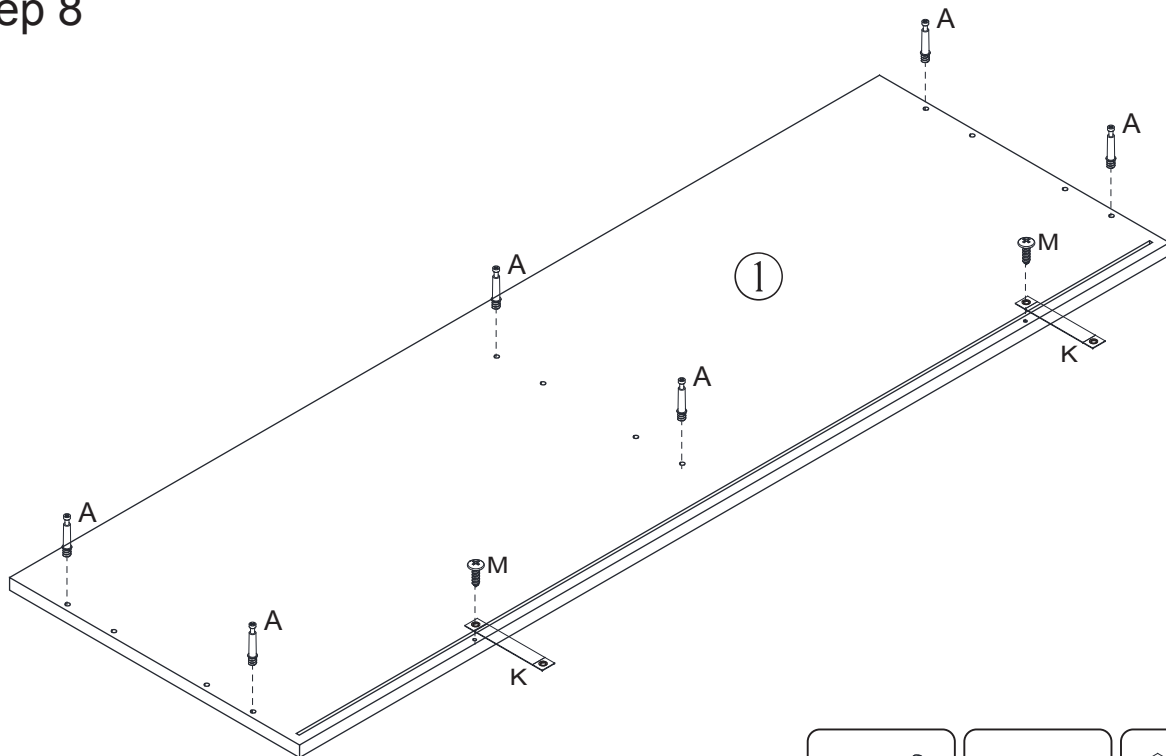
## step 6



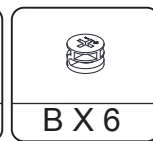
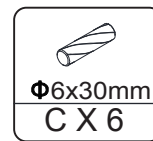
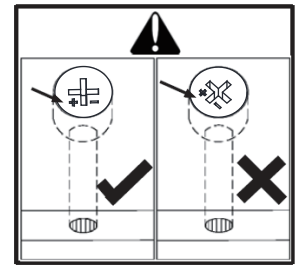
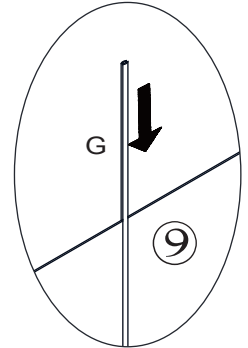
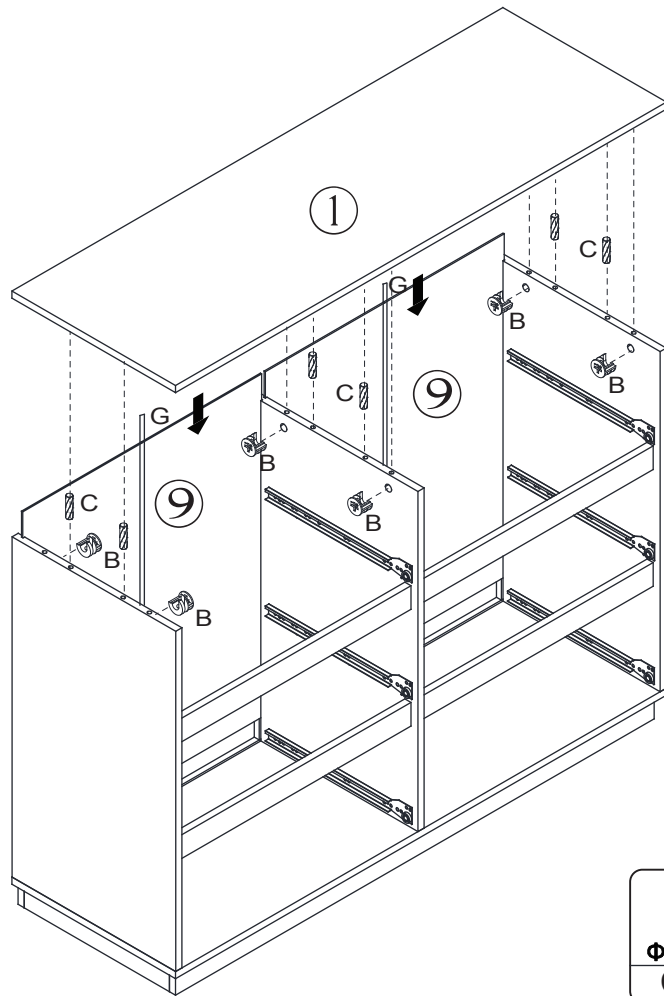
# step 7



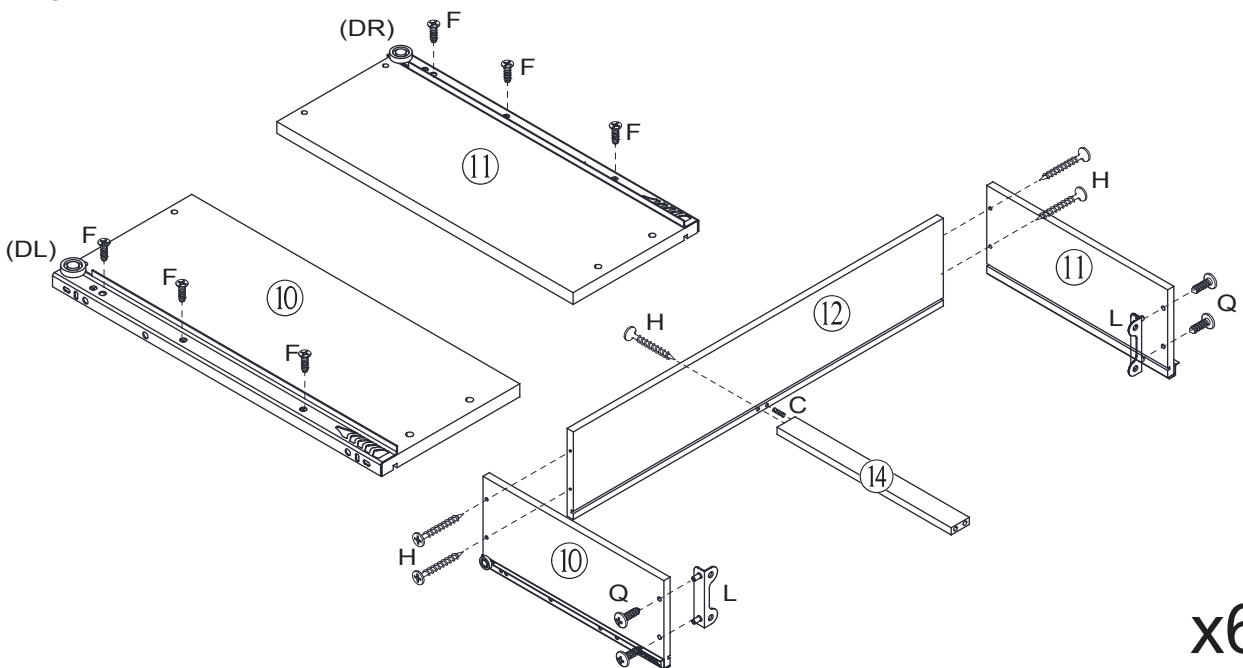
# step 8



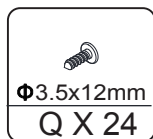
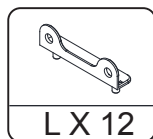
# step 9



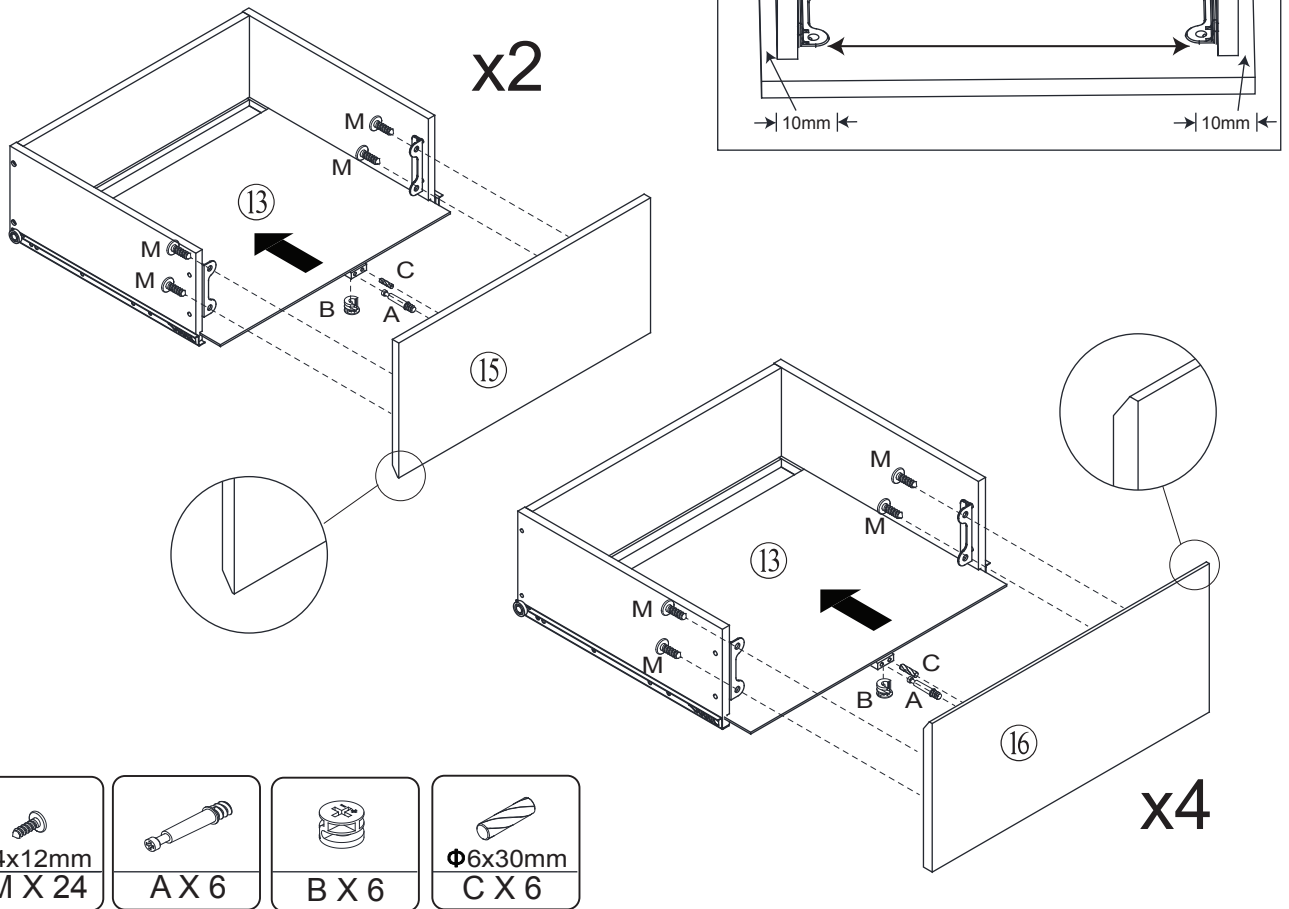
# step 10



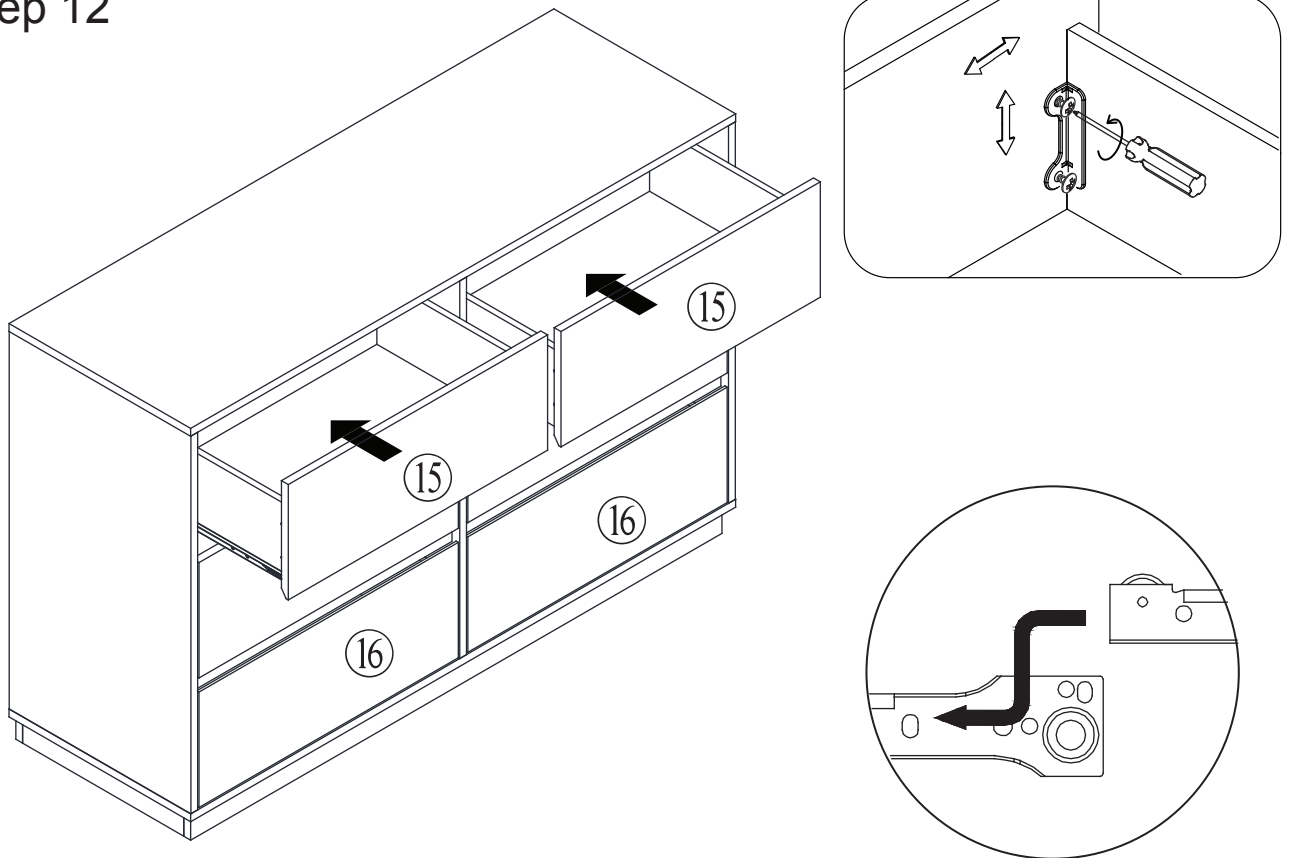
x6



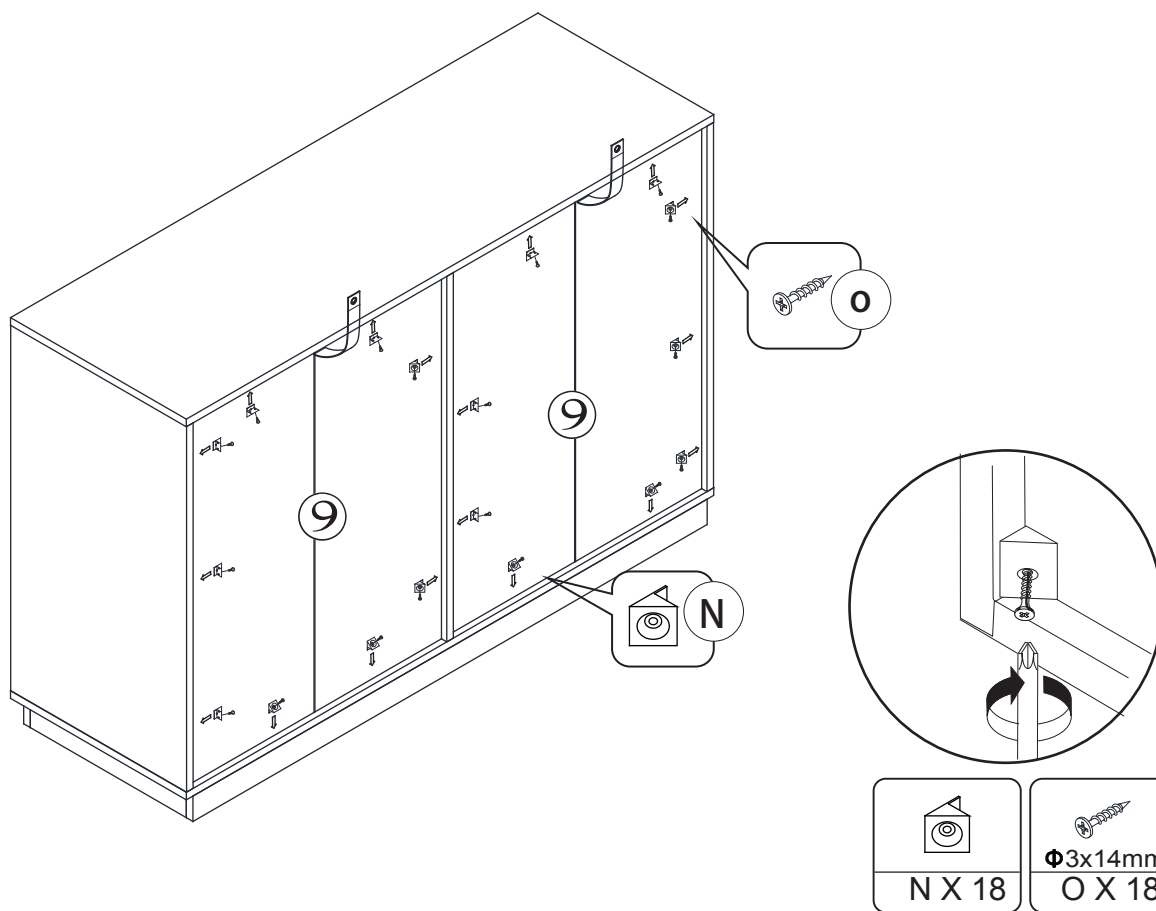
# step 11



# step 12



# step 13



# step 14

