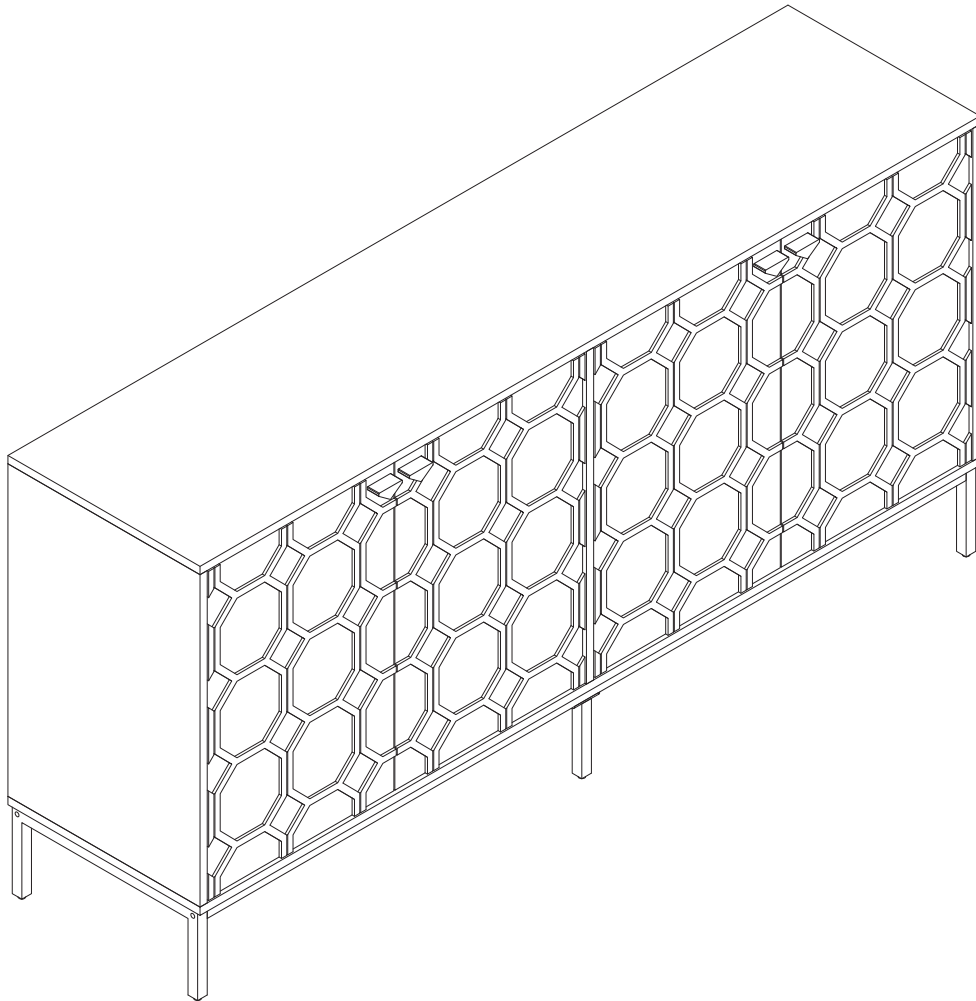


ASSEMBLY INSTRUCTIONS

It is normal for the sealed environment to smell
this is not a product quality issue and will dissipate over time.
After a few days from initial assembly, the product may have acclimated.

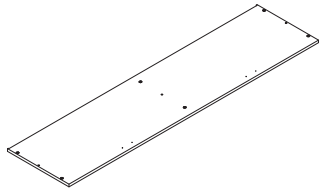
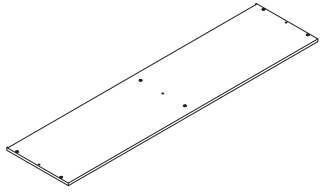

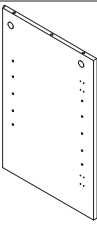
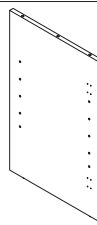
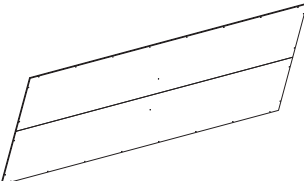
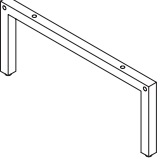


WARNING:

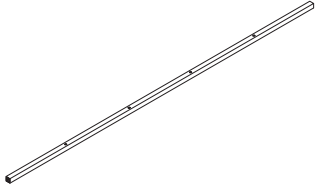

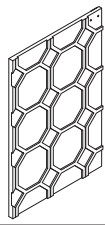
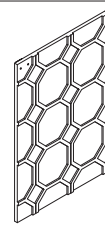
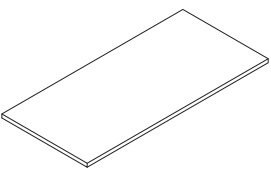
TIPPING HAZARD. This cabinet can tip over if not secured, causing serious injury or death. Always attach to the wall using the safety wall strap (Part N) provided. Never allow children to climb on doors or shelves.

ASSEMBLY INSTRUCTIONS

Part list:






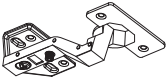

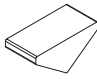

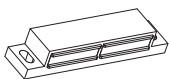

ITEM	DESCRIPTION	PART	QTY
1	Top panel		1
2	Bottom panel		1
3	Left side panel		1
4	Right side panel		1
5	Divider		1
6	Back panel		1
7	Side leg		2

Part list:










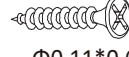

ITEM	DESCRIPTION	PART	QTY
8	Crossbar		2
9	Middle leg		2
10	Left door		2
11	Right door		2
12	Adjustable shelf		2

ASSEMBLY INSTRUCTIONS

Hardware List:

ITEM	DESCRIPTION	PART	QTY
A	Wooden dowel	 Φ0.31*1.18"	6
B	Bolt	 Φ0.23*0.47"	4
C	Bolt	 Φ0.23*1.18"	12
D	Bolt	 Φ0.23*1.57"	4
E	Allen wrench		1
F	Door fitting		8
G	Round head screw	 Φ0.15*0.55"	48
H	Handle		4
I	Machine screw	 Φ0.15*0.7"	8
J	Magnet		2
K	Wood screw	 Φ0.11*0.47"	4

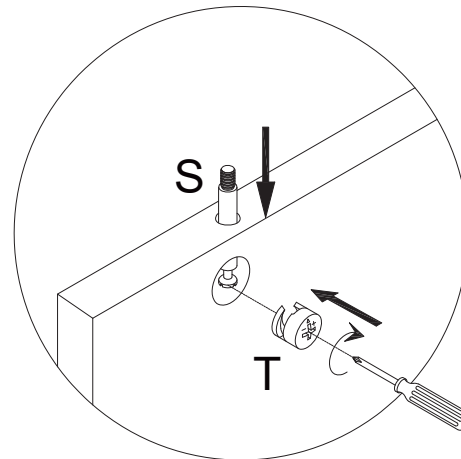
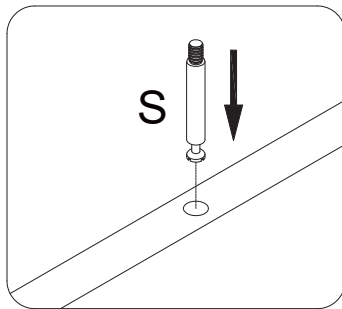
Hardware List:

ITEM	DESCRIPTION	PART	QTY
L	Back screw	 Φ0.11*0.55"	26
M	Shelf support		8
N	Safety wall strap		2
O	Plastic anchor		2
P	Mounting screw	 Φ0.15*1.57"	2
Q	Washer		2
R	Mounting screw	 Φ0.15*1.37"	6
S	Camlock bolt		6
T	Camlock		6
U	Wood screw	 Φ0.11*0.62"	4
V	Iron sheet		4

ASSEMBLY INSTRUCTIONS

- * Required screwdriver & mallet, not included.
- * Before discarding packing materials, please check to make sure that all parts and hardware is present.
- * Two people needed for assembly.
- * Please follow the instructions closely; Do not over-tighten screws or bolts unless specified.
- * After a few days from initial assembly, the product may adjust to the environment. Please retighten the hardware.

Guideline For Assembling of Cam Lock (S & T)



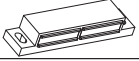

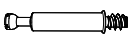
Screw camlock bolt (S) to wood part.

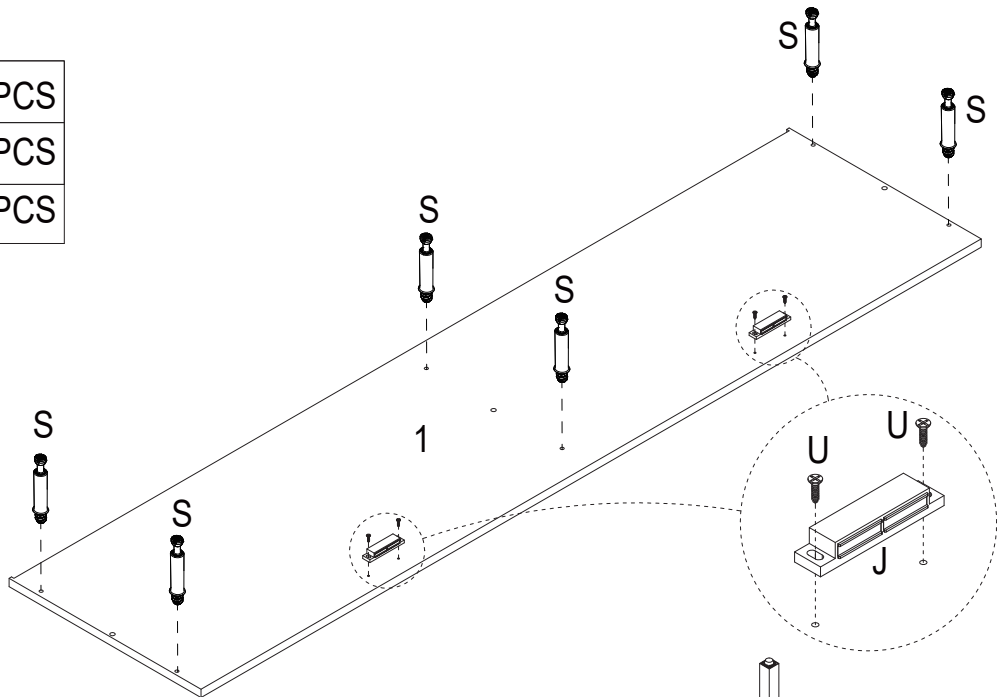
Do not assemble camlock (T) unless instructed.

To assemble camlock (T), ensure long side of the + is facing the bolt (S) before inserting into hole.




ASSEMBLY INSTRUCTIONS

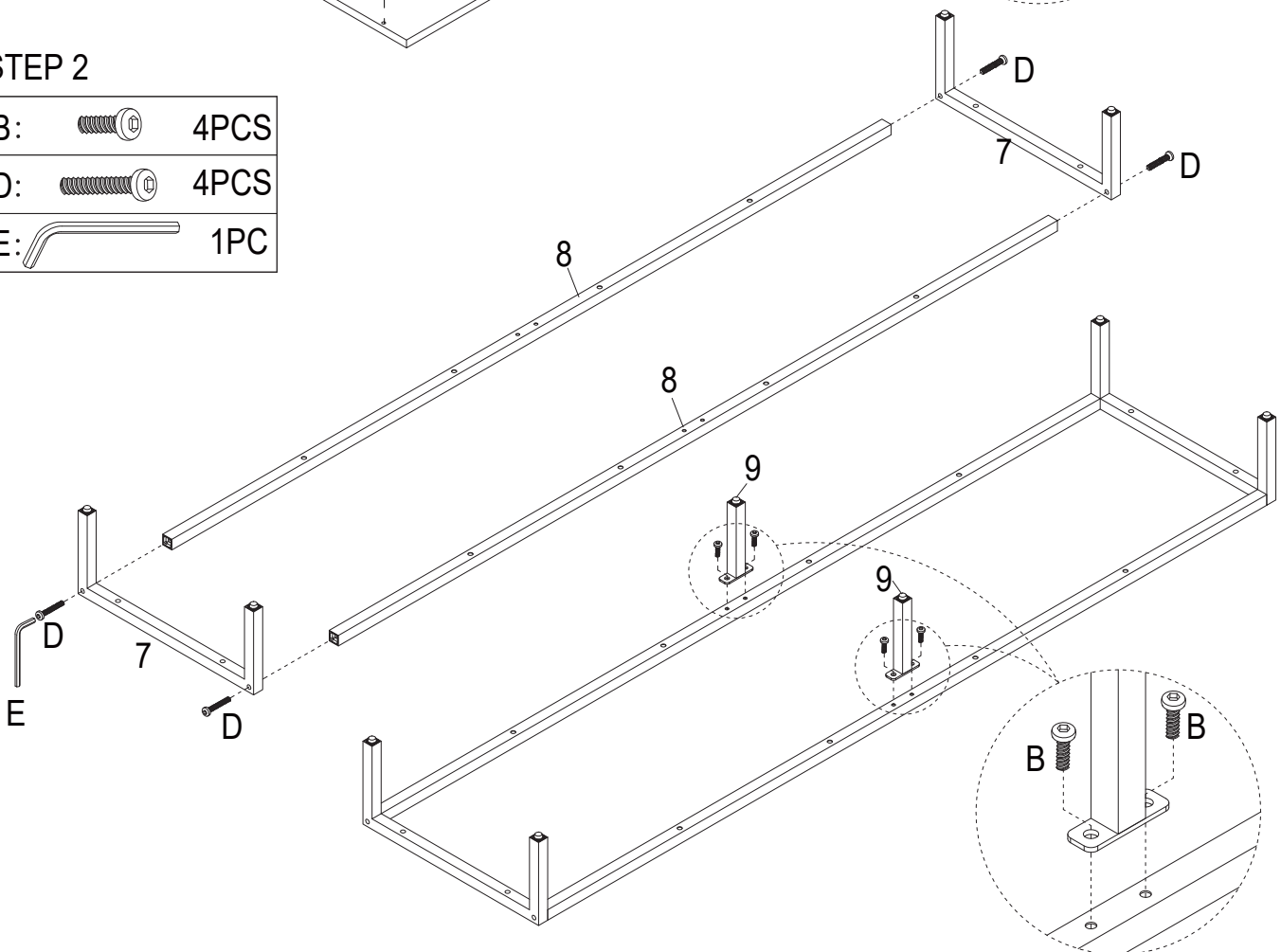
STEP 1

J:		2PCS
U:		4PCS
S:		6PCS





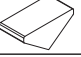



STEP 2

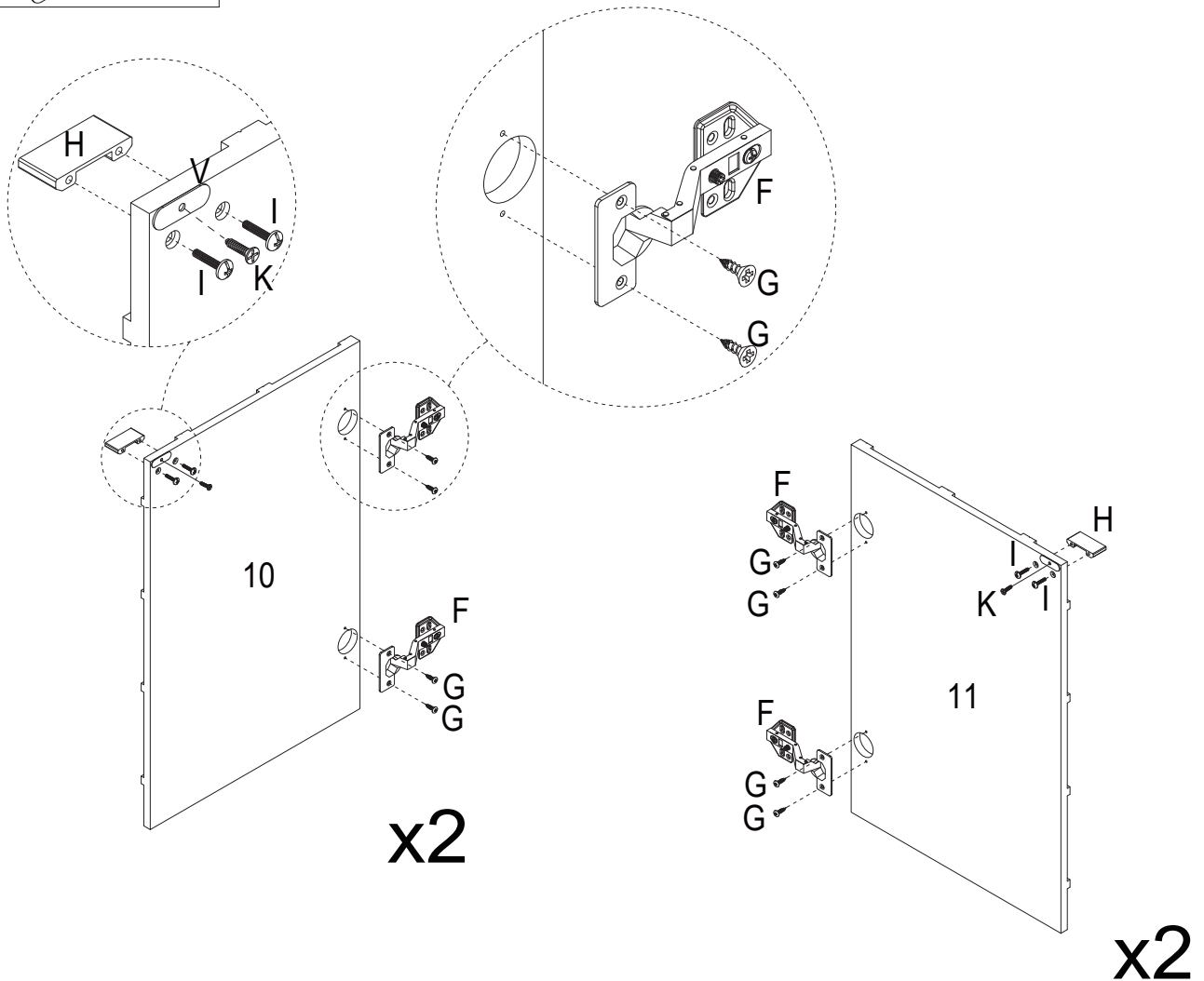
B:		4PCS
D:		4PCS
E:		1PC



ASSEMBLY INSTRUCTIONS



STEP 3

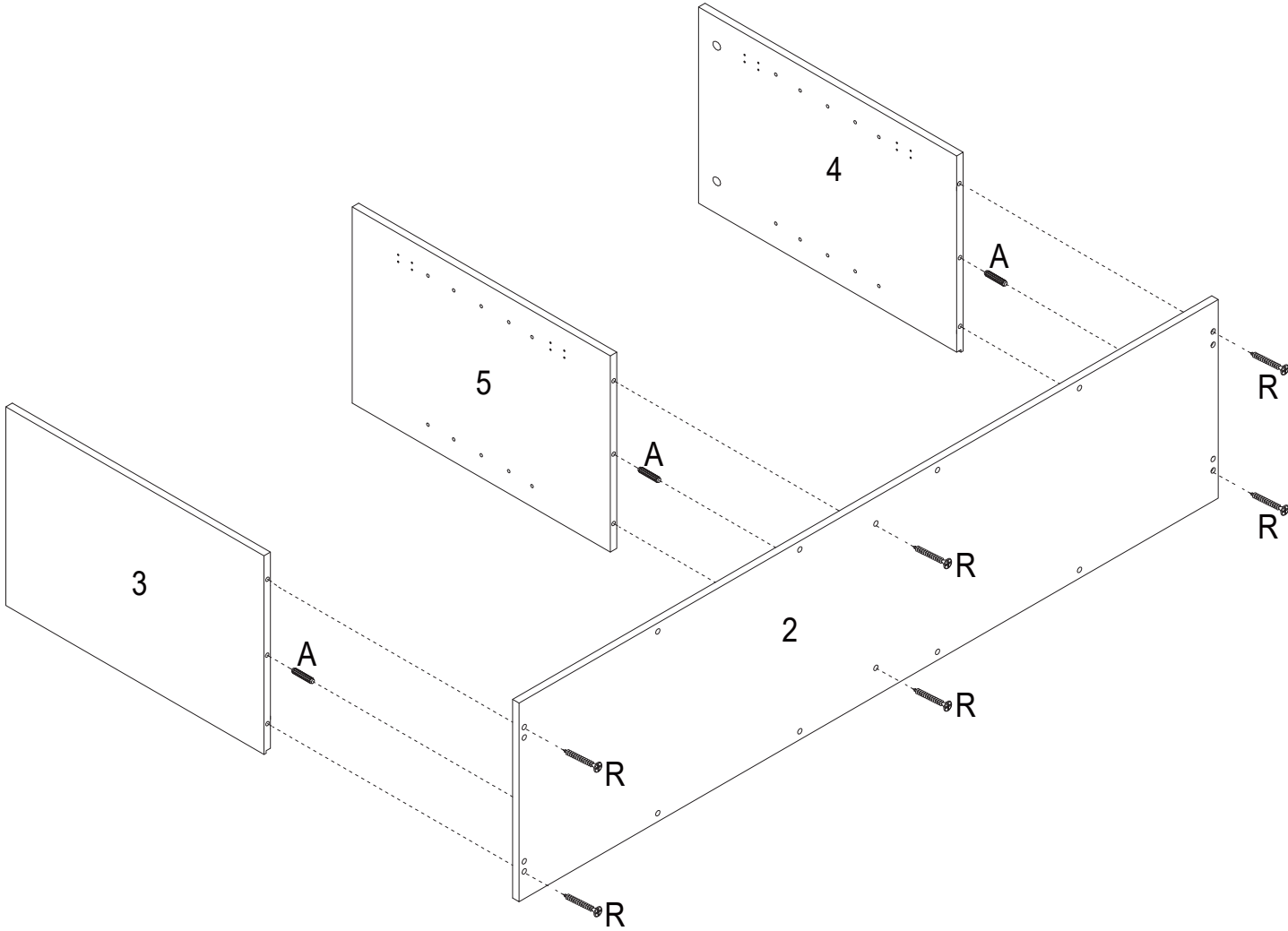
F:		8PCS
G:		16PCS
H:		4PCS
I:		8PCS
K:		4PCS
V:		4PCS



ASSEMBLY INSTRUCTIONS

STEP 4

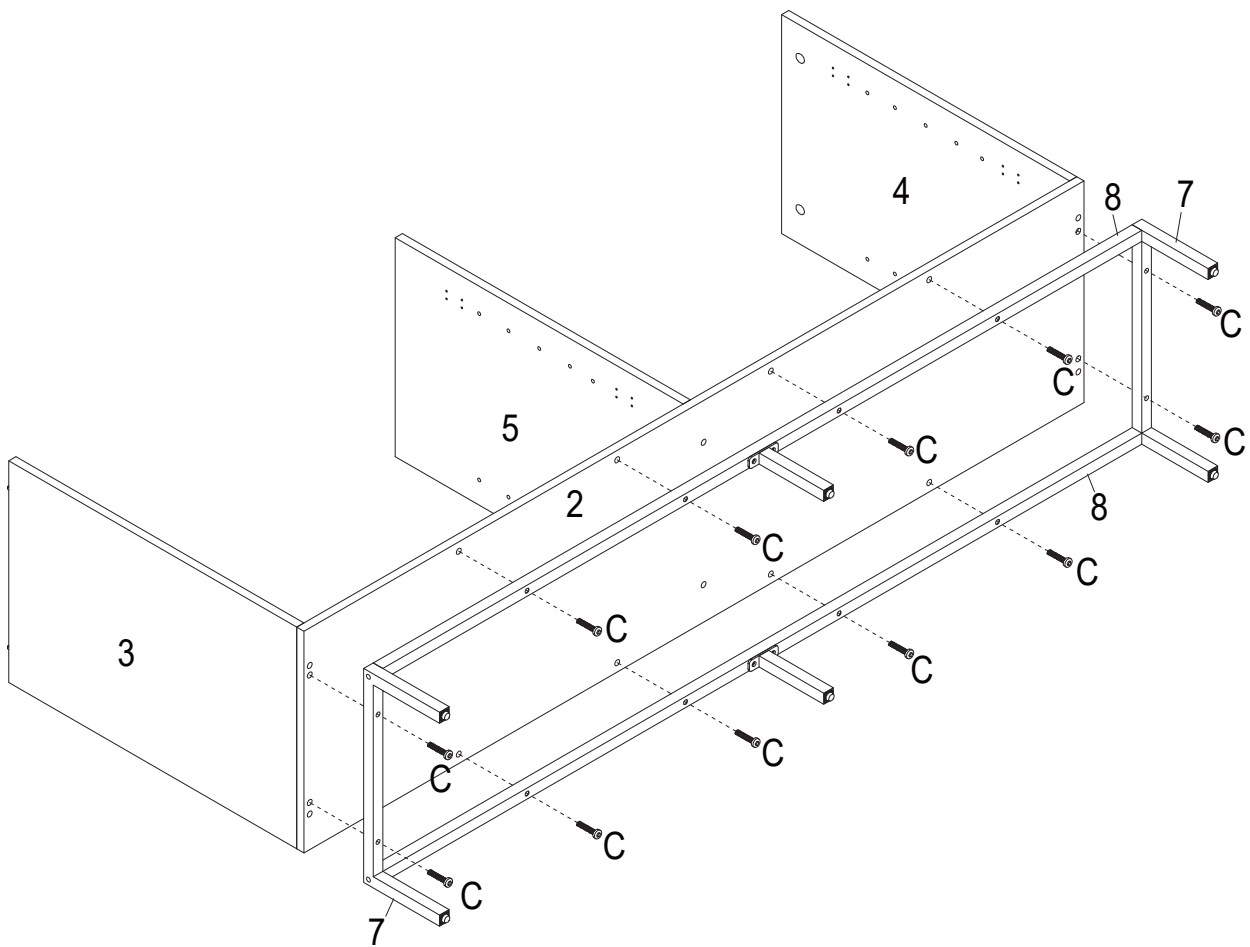
A:		3PCS
R:		6PCS



ASSEMBLY INSTRUCTIONS



STEP 5

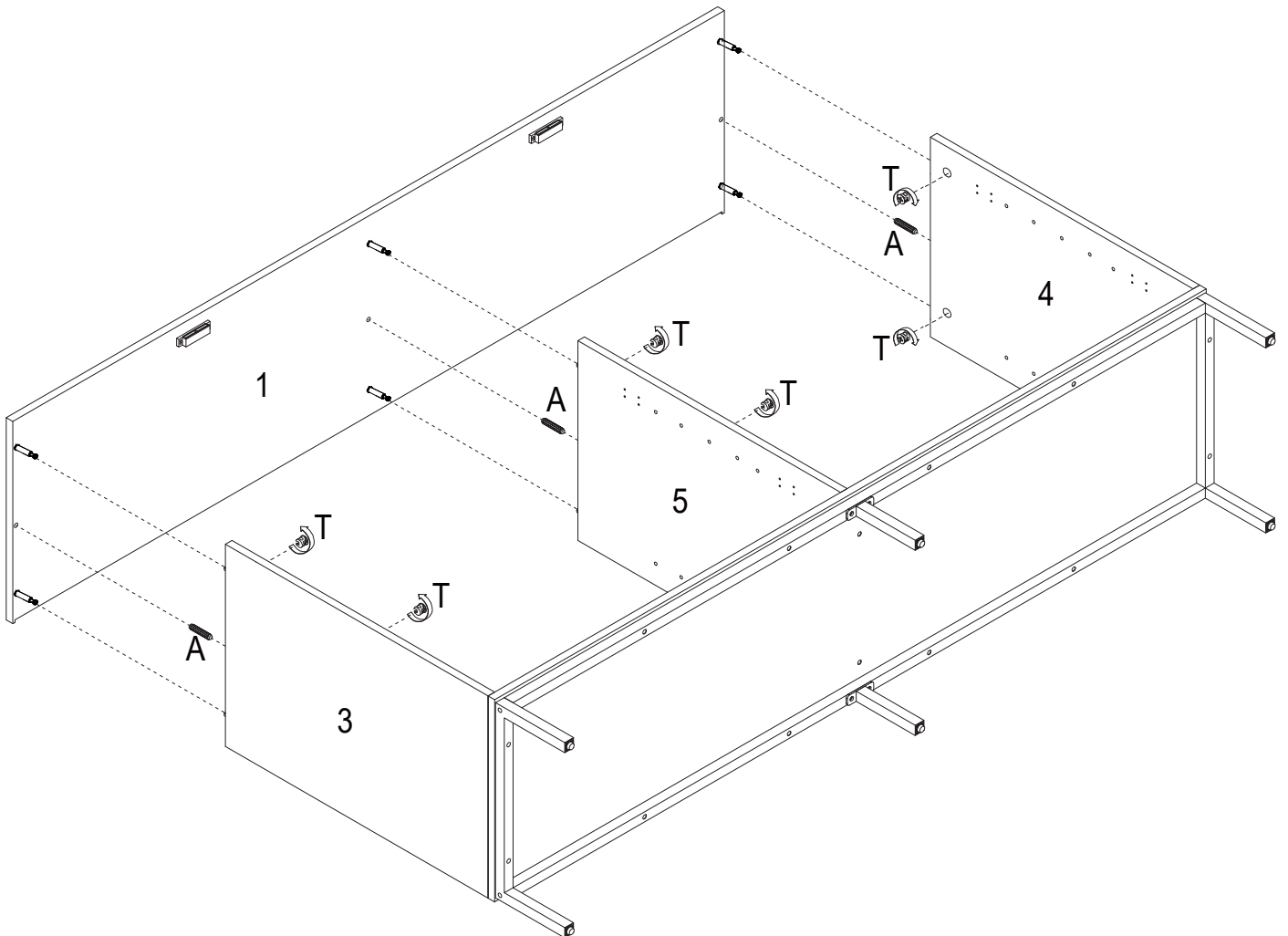
C:  12PCS



ASSEMBLY INSTRUCTIONS

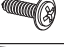
STEP 6

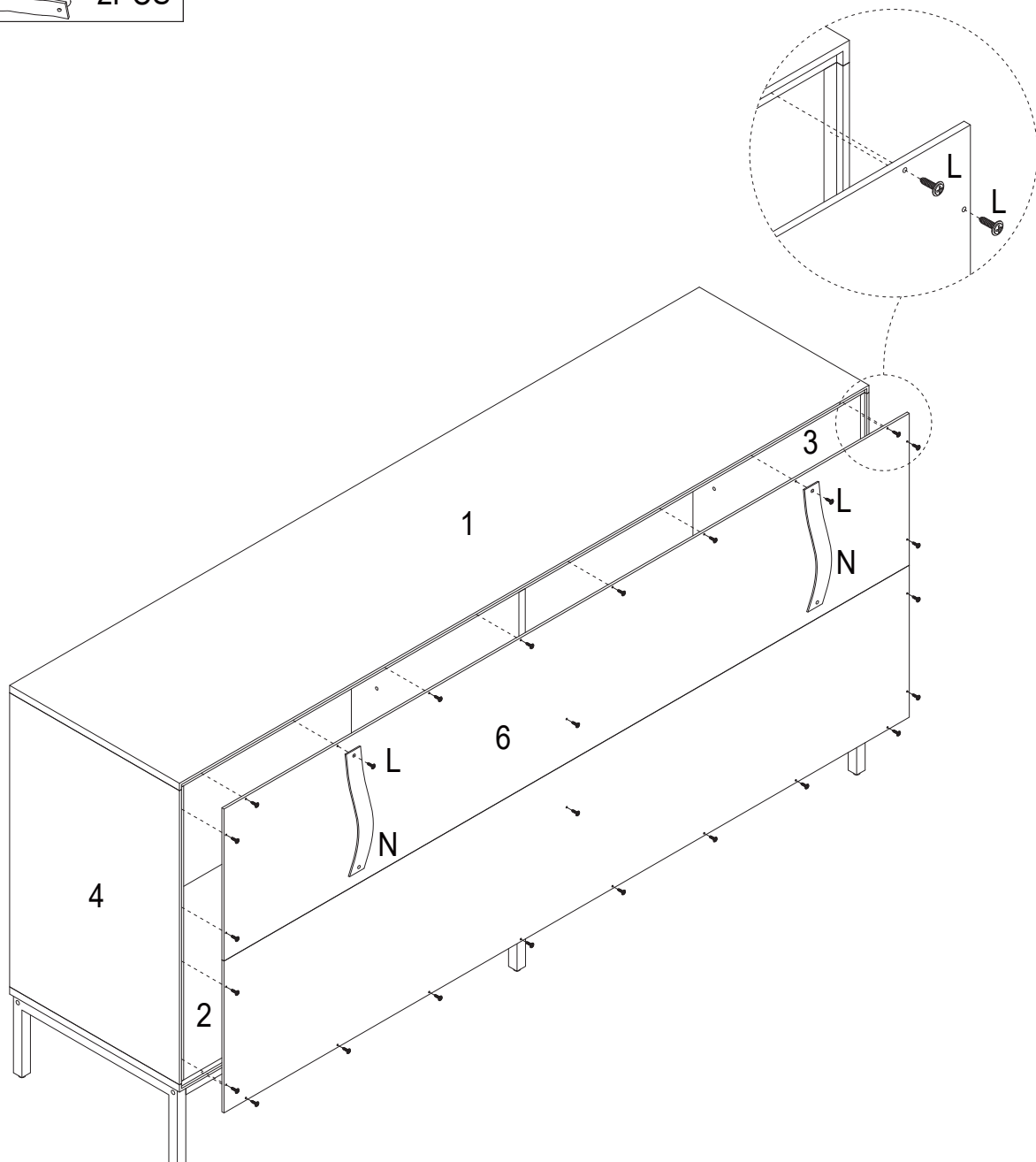
A:		3PCS
T:		6PCS



ASSEMBLY INSTRUCTIONS

STEP 7

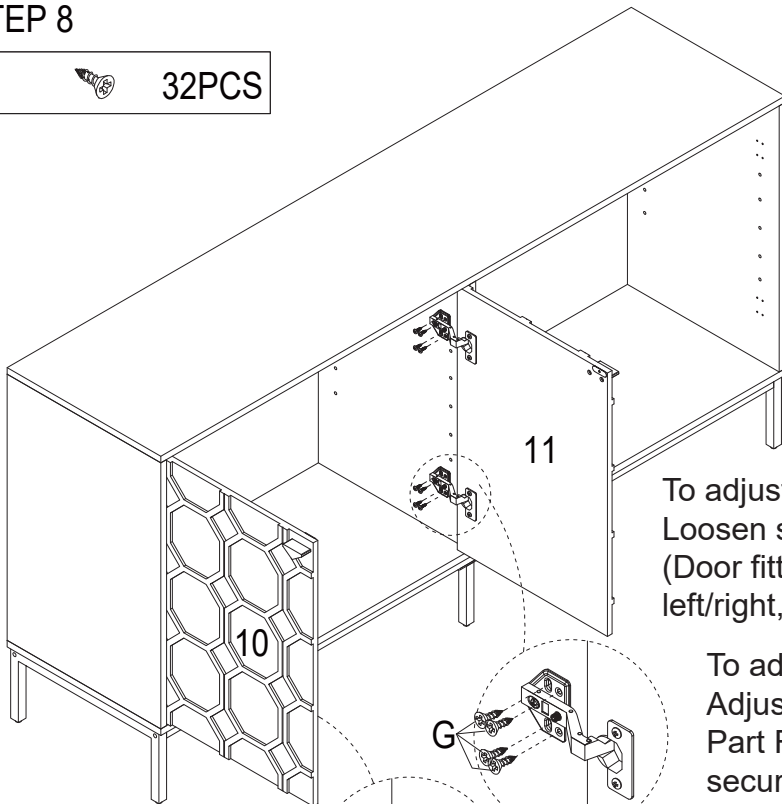
L:		26PCS
N:		2PCS



ASSEMBLY INSTRUCTIONS

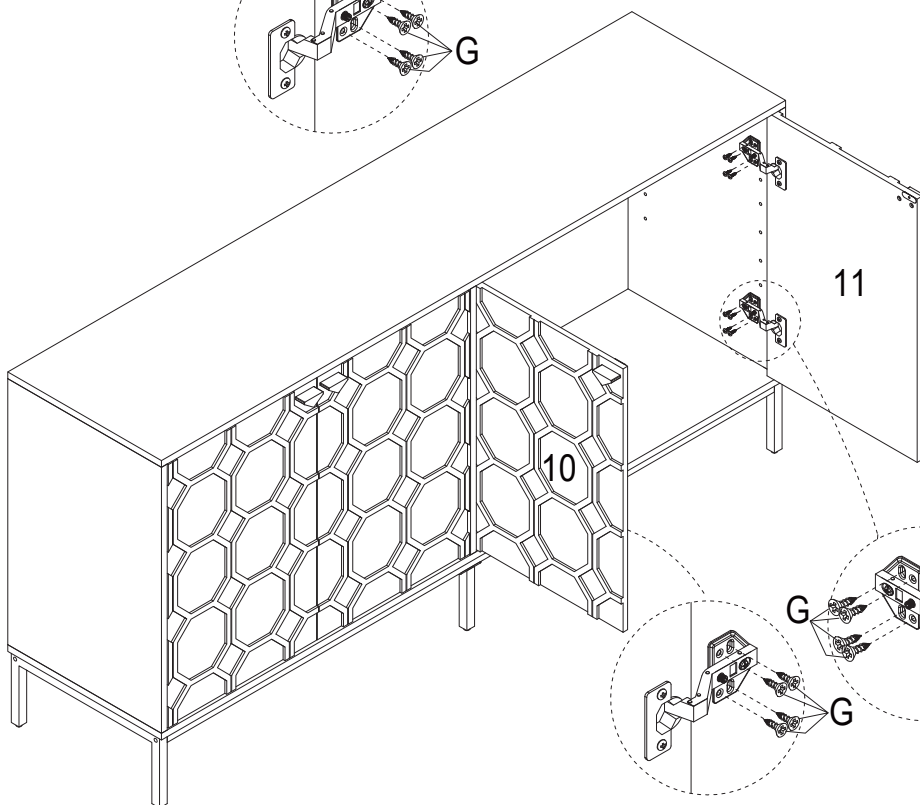
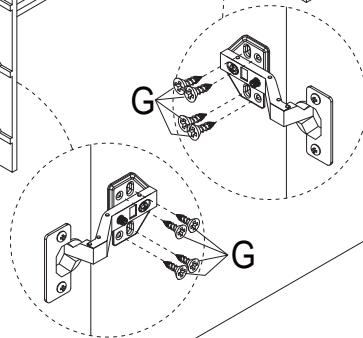
STEP 8

G:  32PCS

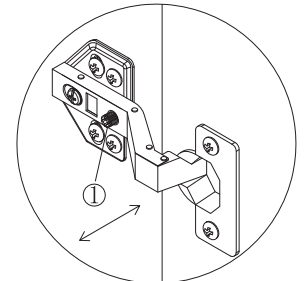


To adjust door width:
Loosen screws on Part F
(Door fitting), shift door
left/right, then retighten.

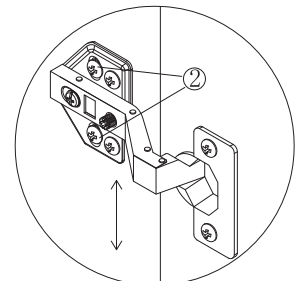
To adjust door height:
Adjust the position of
Part F vertically, then
secure with Part G
(Round head screw).



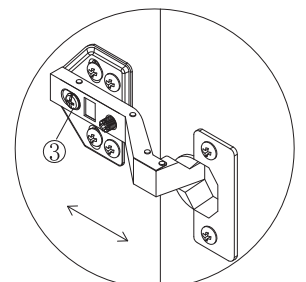
DOOR FITTING



To adjust in width



To adjust in height



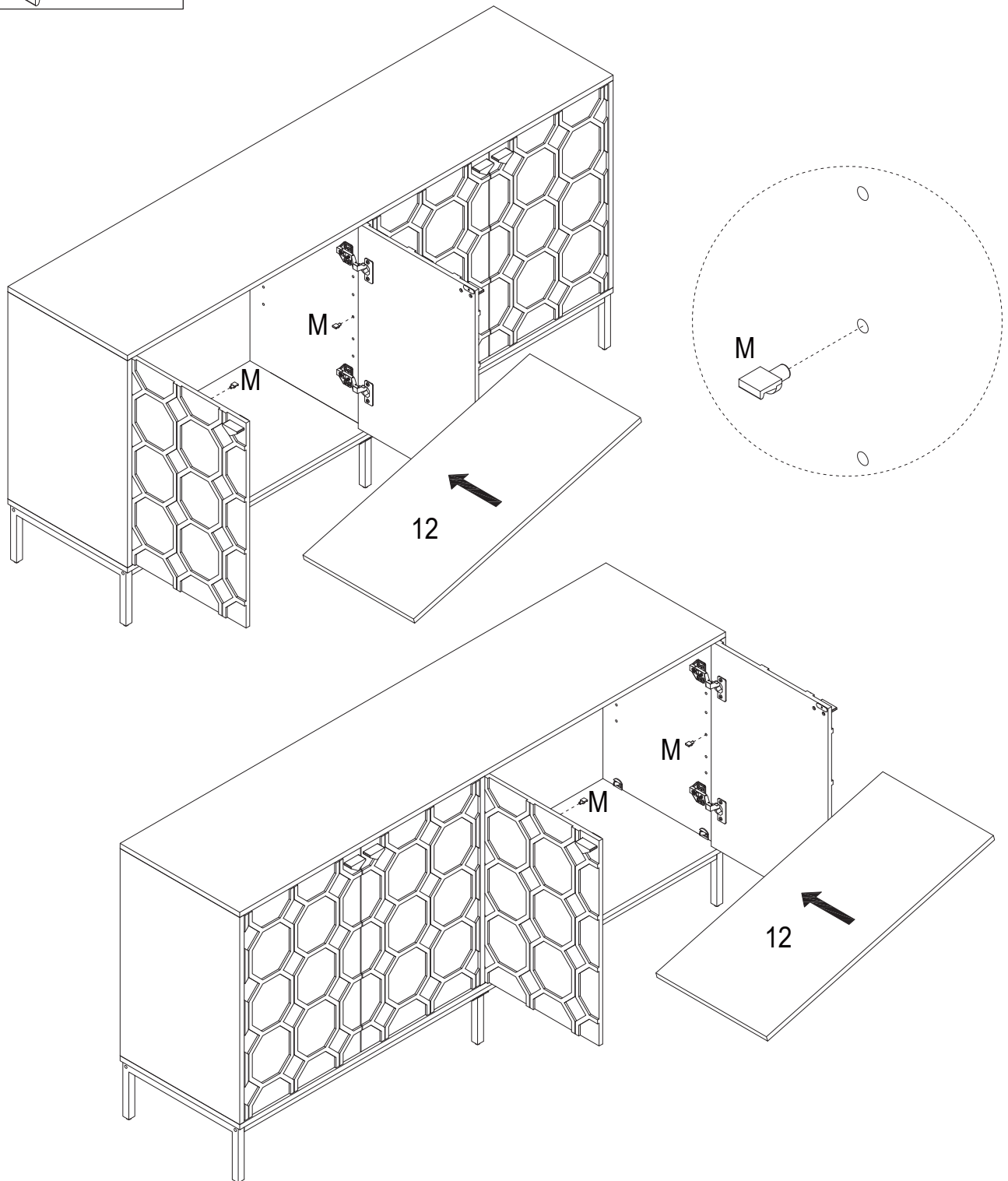
To adjust in depth

ASSEMBLY INSTRUCTIONS

STEP 9

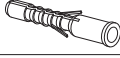


M:  8PCS

Insert Shelf support (Part M) into pre-drilled holes at desired height, then place Part 13 (Adjustable shelf) on top.

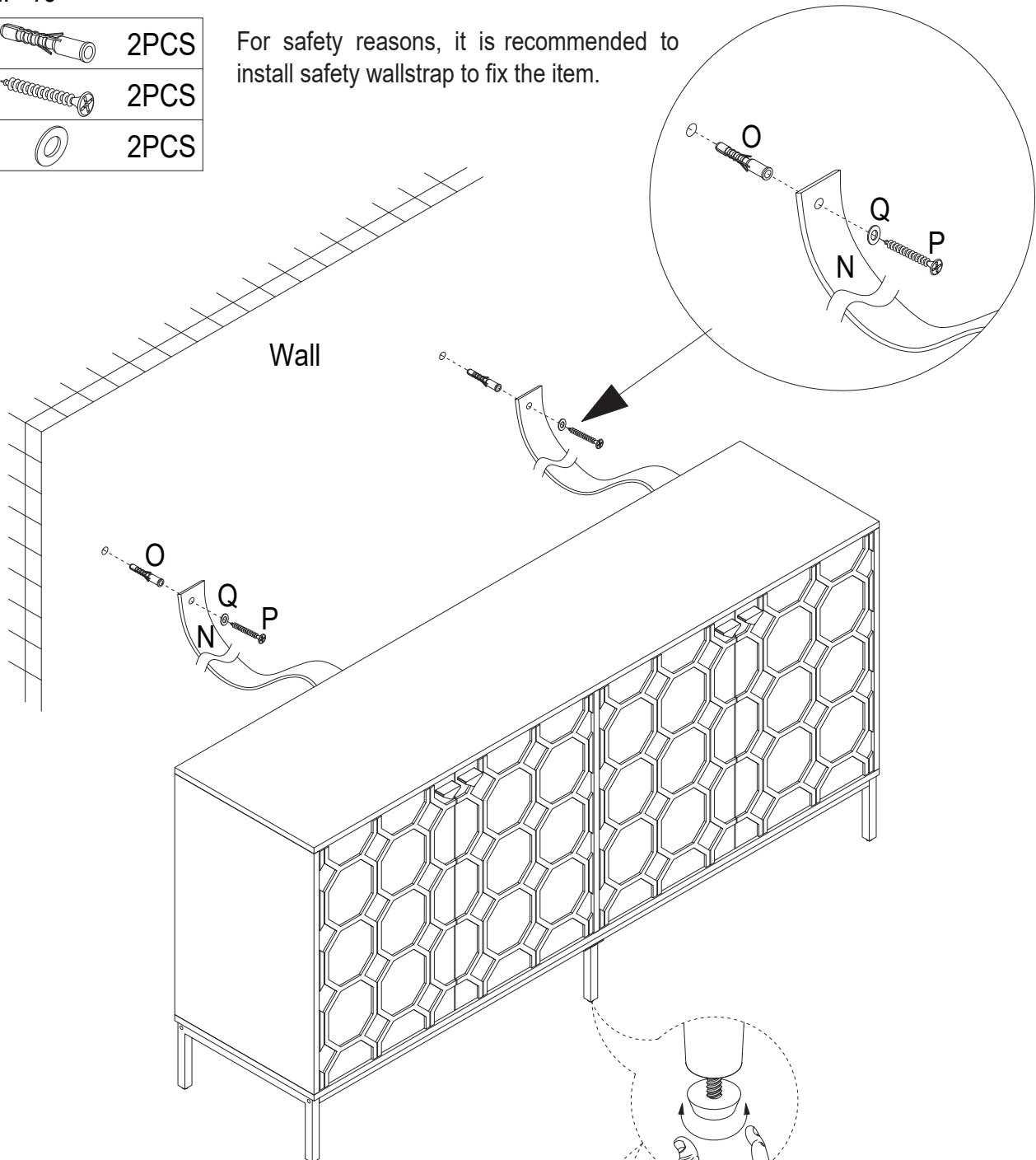


ASSEMBLY INSTRUCTIONS

STEP 10

O:		2PCS
P:		2PCS
Q:		2PCS

For safety reasons, it is recommended to install safety wallstrap to fix the item.



After installation, adjust the adjustable foot to keep the cabinet balanced and align the door.