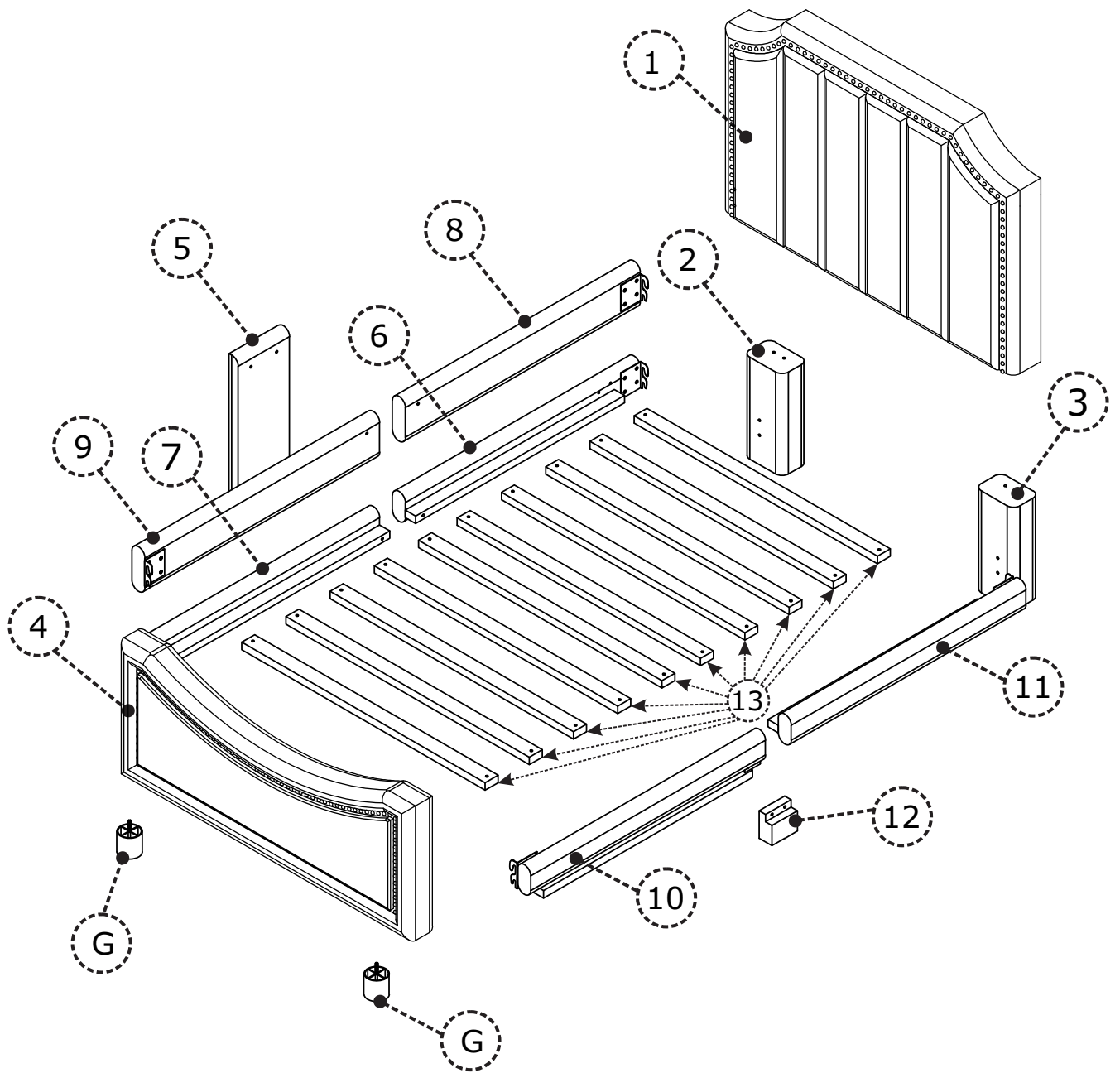


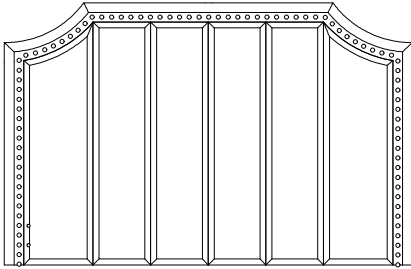
ASSEMBLY INSTRUCTIONS



PARTS

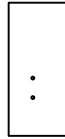
Check that you've received all parts listed below.

1



(1 pc)

2



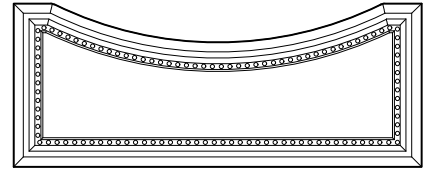
(1 pc)

3



(1 pc)

4



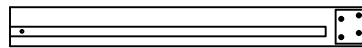
(1 pc)

5



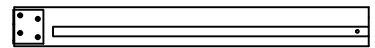
(1 pc)

6



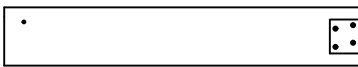
(1 pc)

7



(1 pc)

8



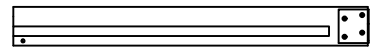
(1 pc)

9



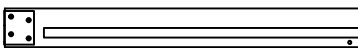
(1 pc)

10



(1 pc)

11



(1 pc)

12



(1 pc)

13



(10 pcs)

Hardware



HARDWARE

Check that you've received
all hardware listed below.

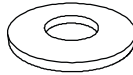
A



Ø⁵/₁₆" x 38 mm

22 pcs

B



22 pcs

C



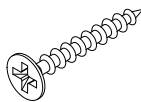
22 pcs

D



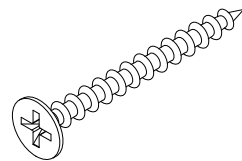
1 pc

E



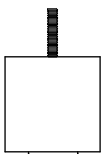
4 pcs

F



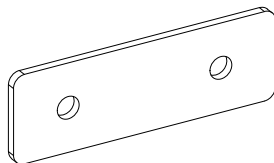
20 pcs

G







2 pcs

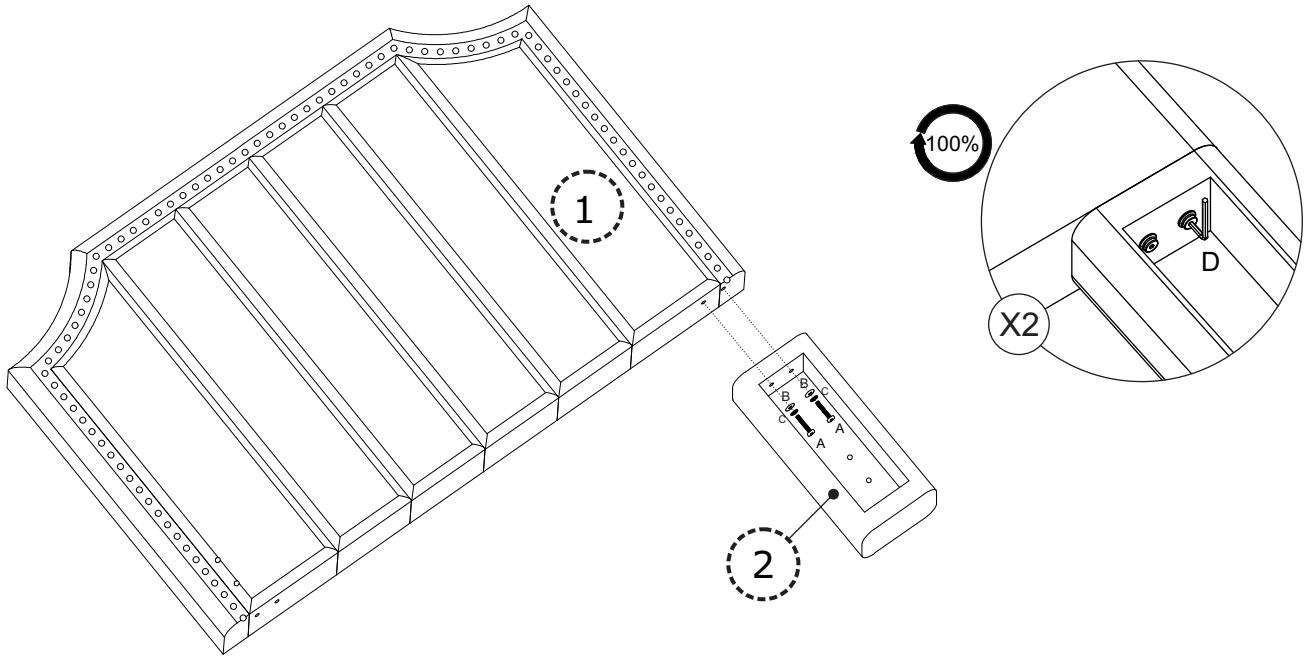
H







2 pcs

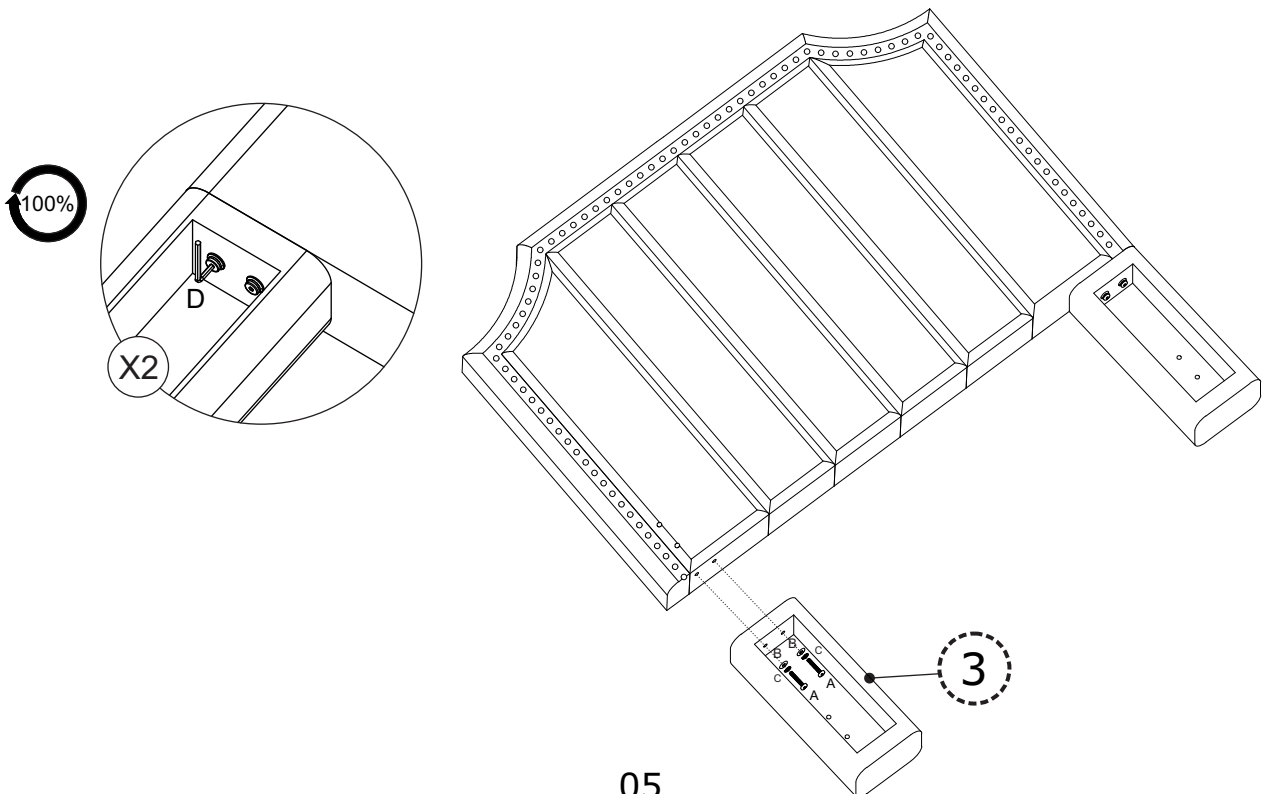
STEP 1

A x 2  Ø 5/16" x 38 mm	B x 2 	C x 2 	D x 1 	
---	--	--	--	--







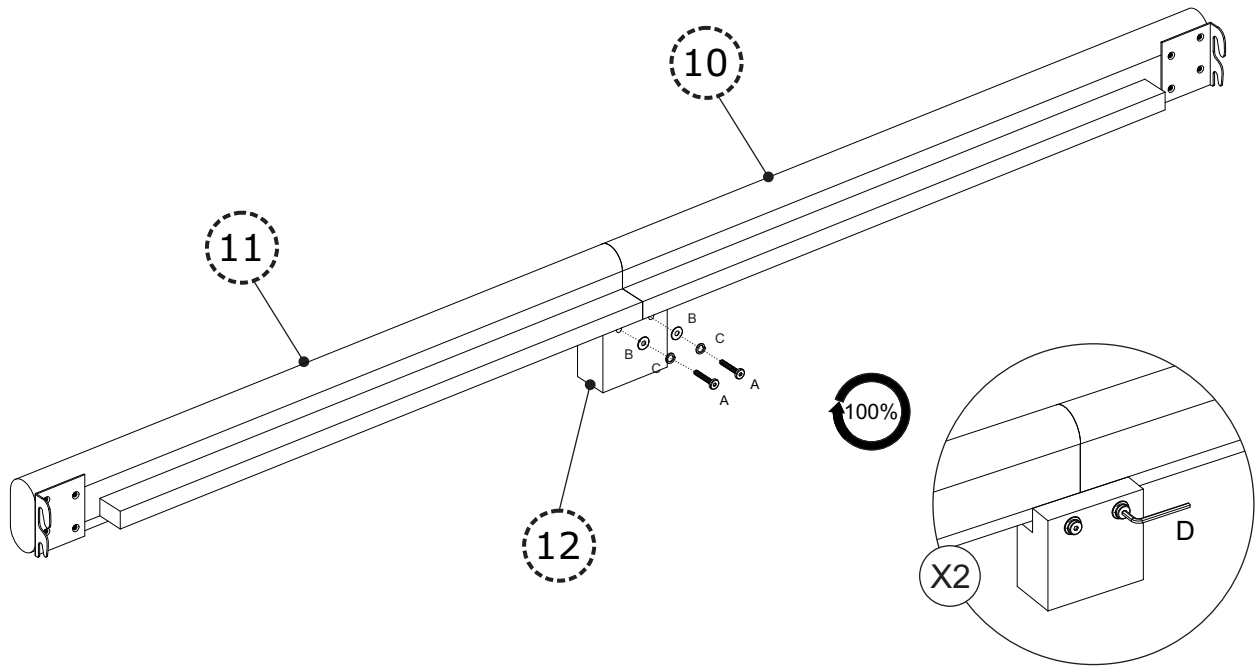
STEP 2

A x 2  Ø 5/16" x 38 mm	B x 2 	C x 2 	D x 1 	
---	--	--	--	--

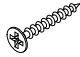
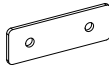


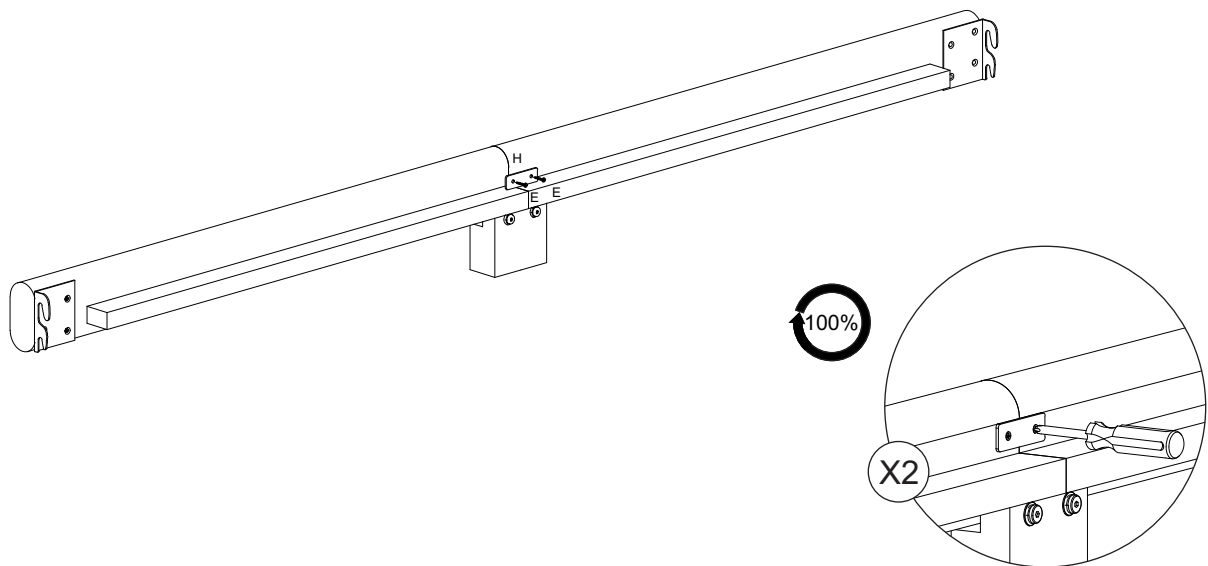
STEP 3

<p>A x 2</p>  <p>Ø 5/16" x 38 mm</p>	<p>B x 2</p> 	<p>C x 2</p> 	<p>D x 1</p> 	
---	--	--	--	--







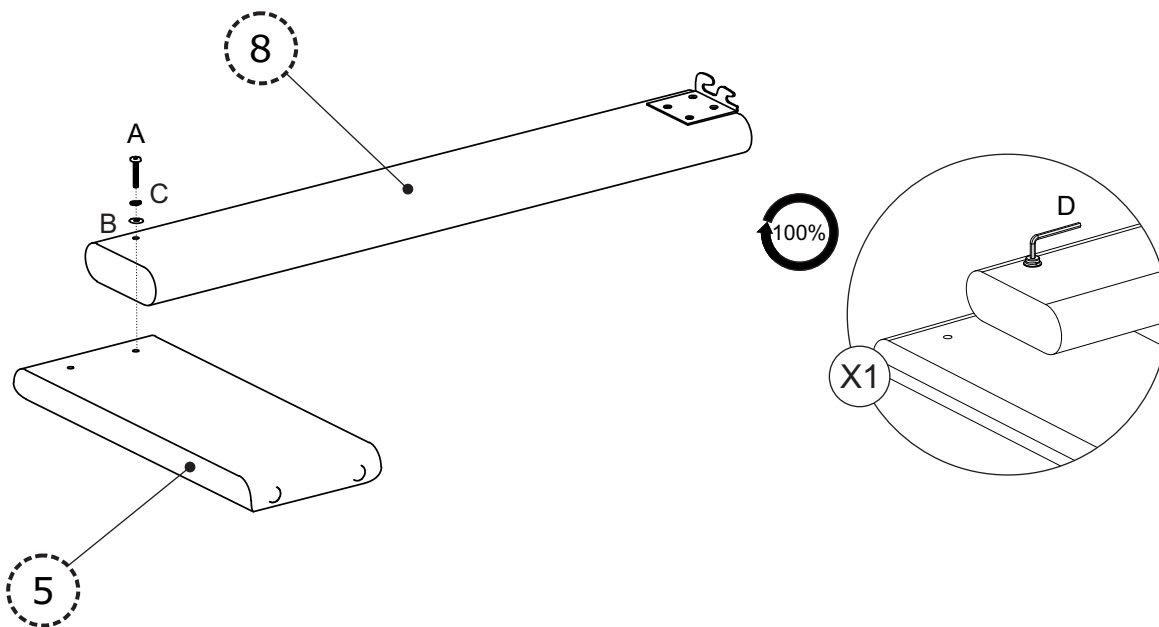
STEP 4

<p>E x 2</p> 	<p>H x 1</p> 			
--	--	--	--	--



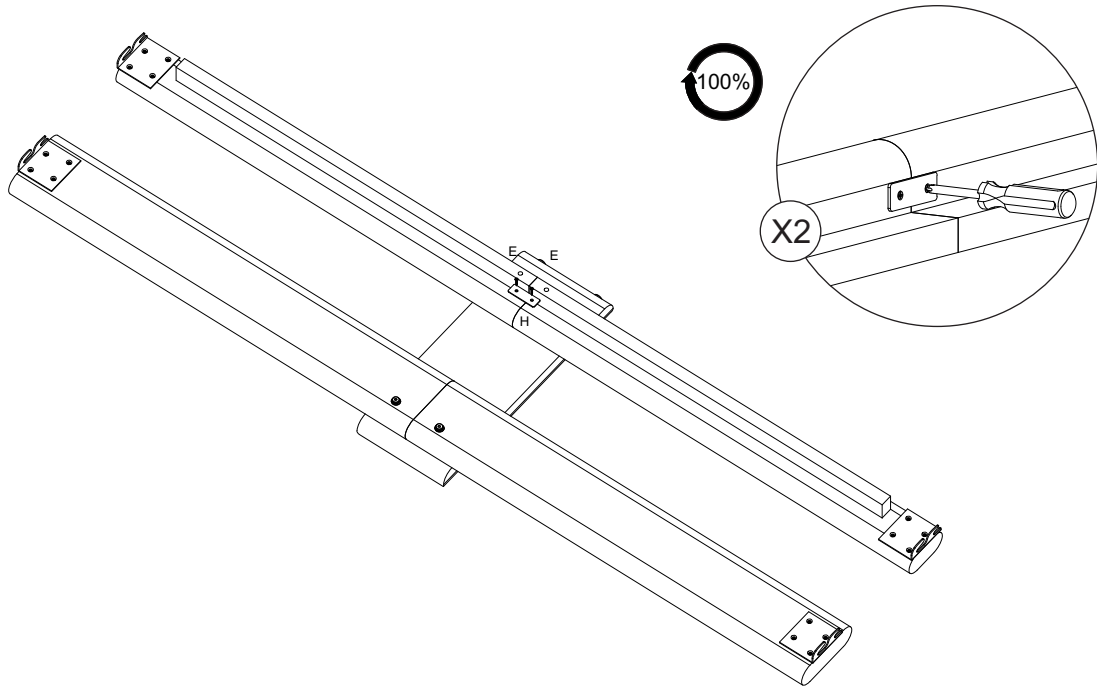
STEP 5

A x 1  Ø 5/16" x 38 mm	B x 1 	C x 1 	D x 1 	
---	--	--	--	--



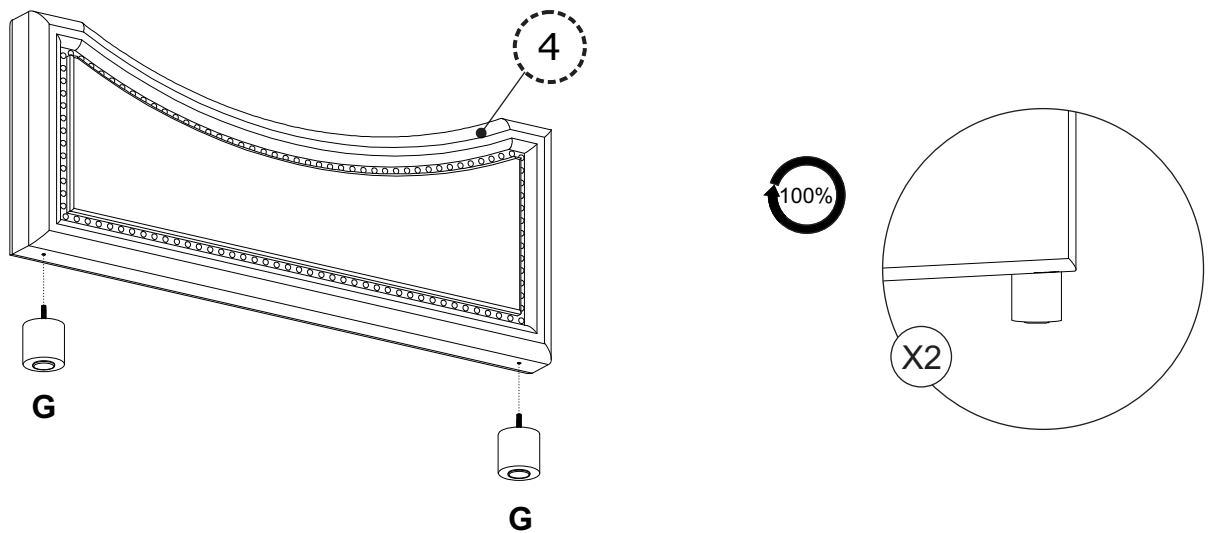
STEP 8

Ex 2	H x 1			
------	-------	--	--	--







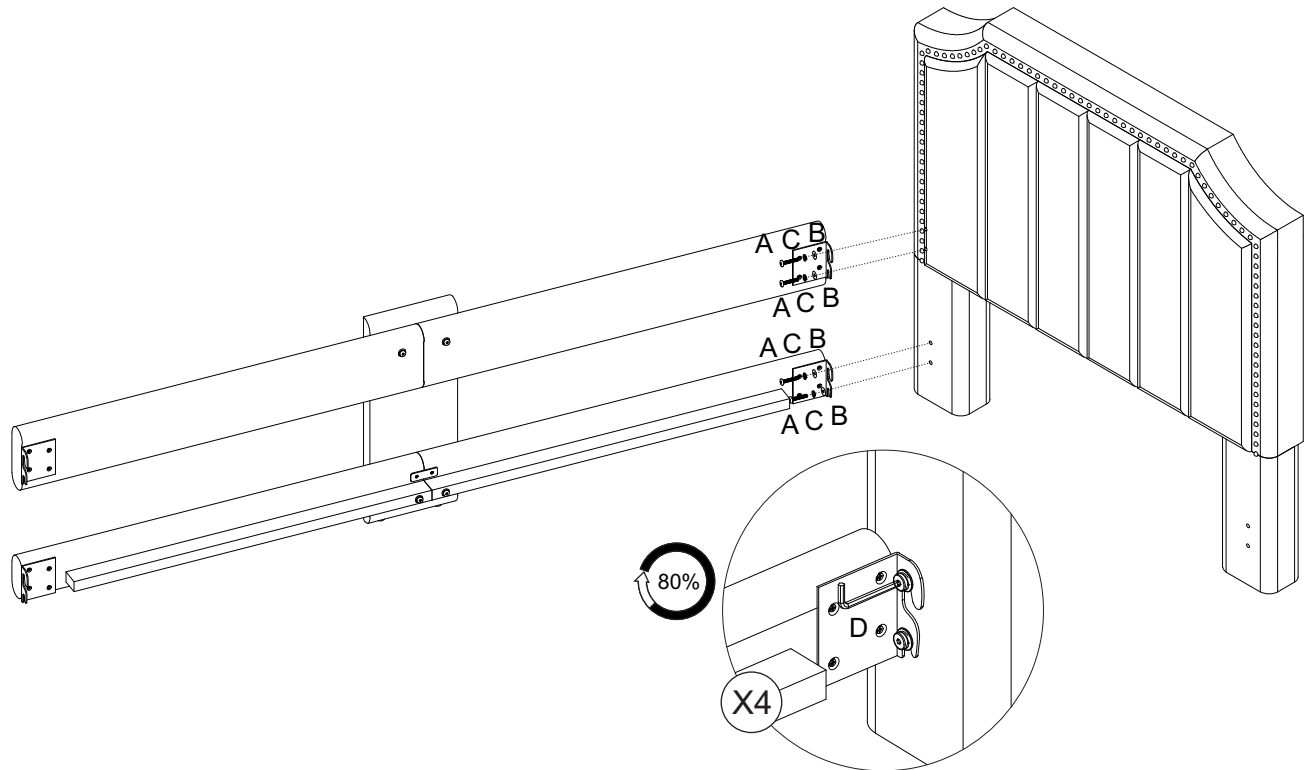
STEP 9

G x 2				
-------	--	--	--	--







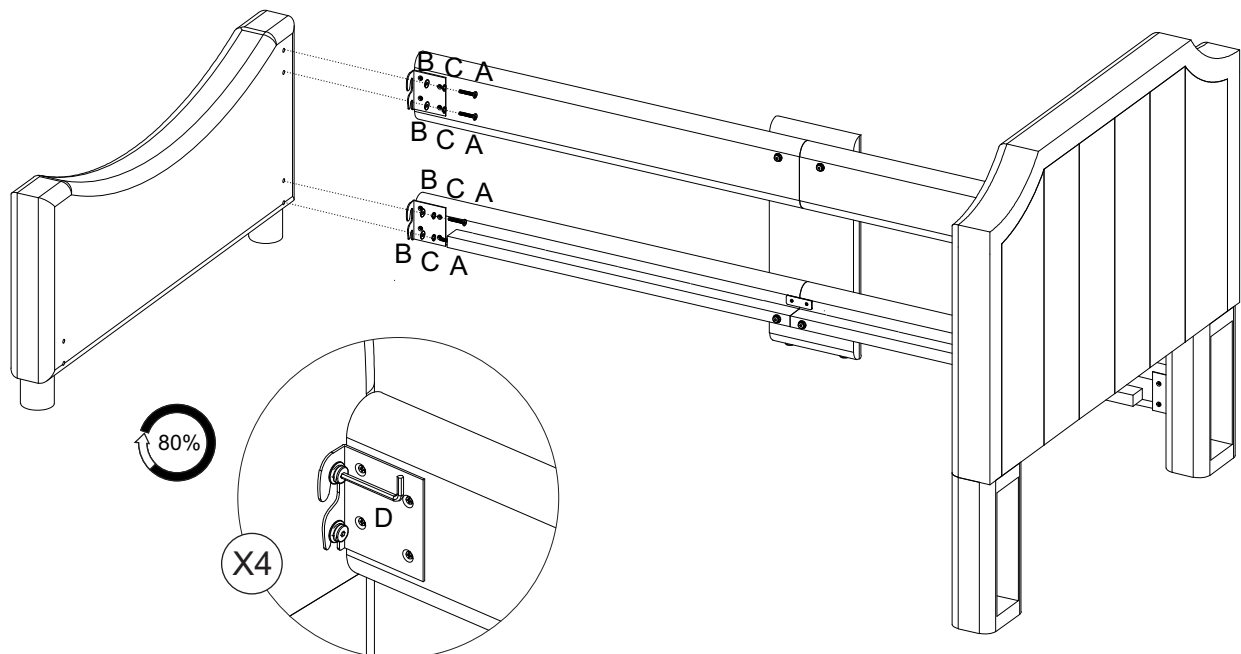
STEP 10

A x 4  Ø 5/16" x 38 mm	B x 4 	C x 4 	D x 1 	
---	--	--	--	--







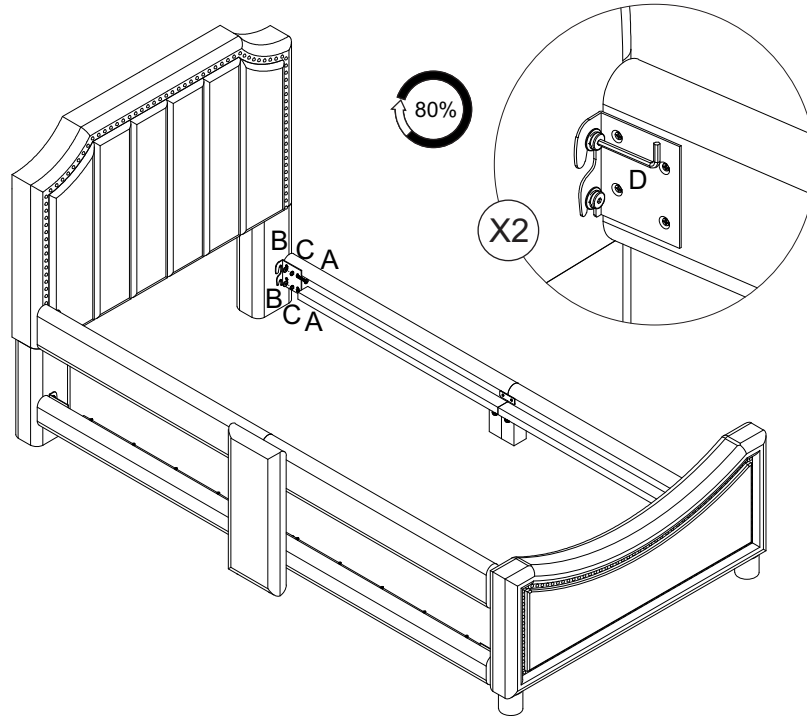
STEP 11

A x 4  Ø 5/16" x 38 mm	B x 4 	C x 4 	D x 1 	
---	--	--	--	--







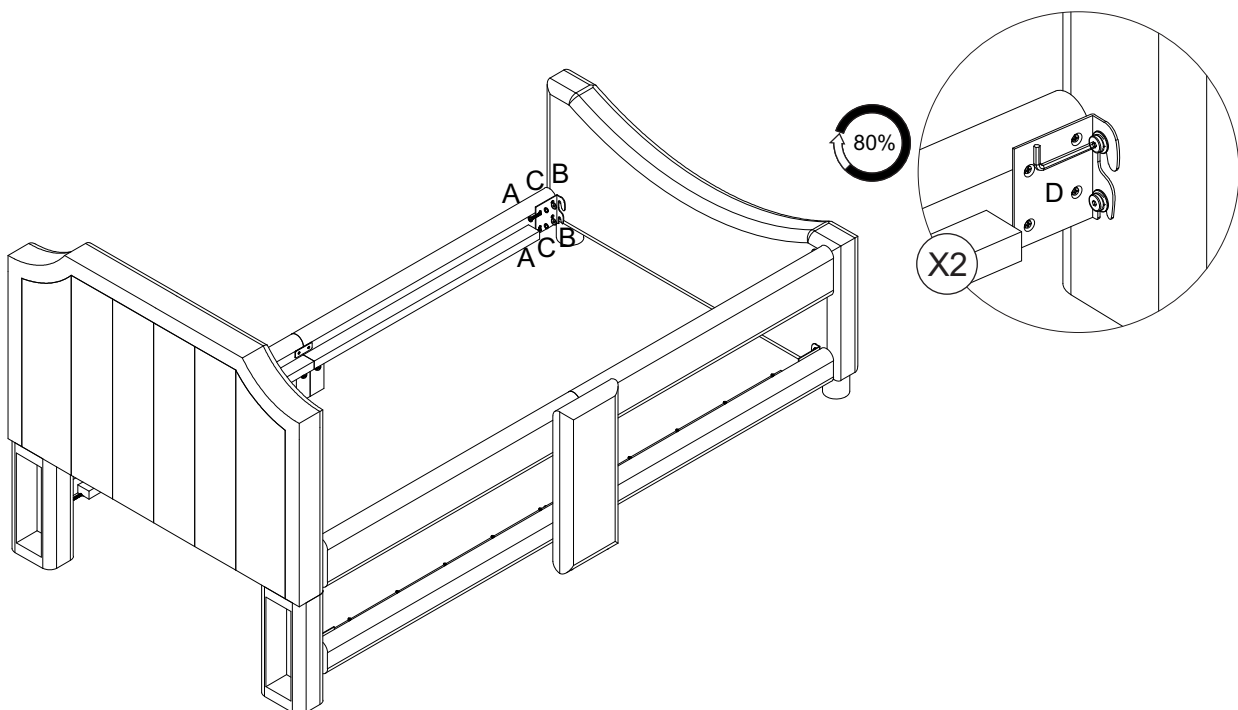
STEP 12

A x 2  Ø 5/16" x 38 mm	B x 2 	C x 2 	D x 1 	
---	--	--	--	--

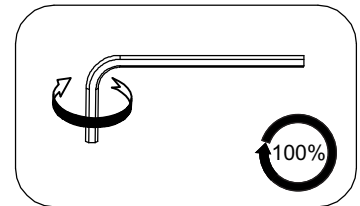
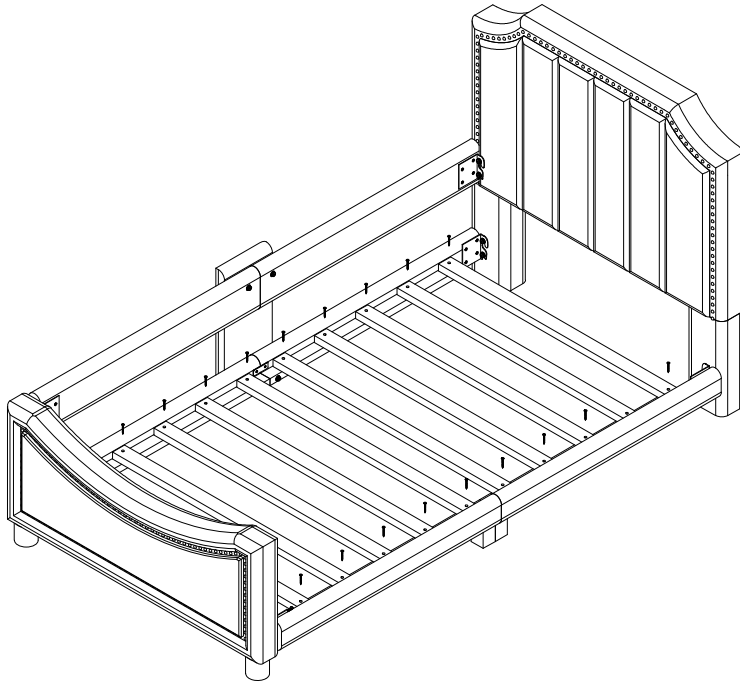
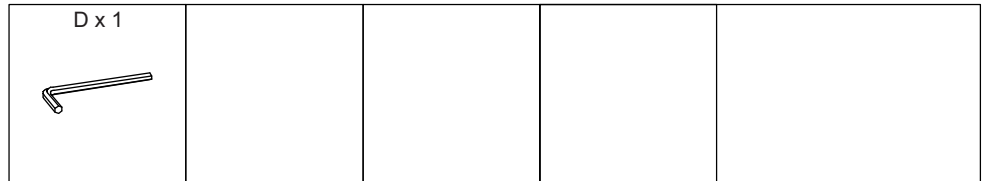


STEP 13

A x 2  Ø 5/16" x 38 mm	B x 2 	C x 2 	D x 1 	
---	--	--	--	--



STEP 14



STEP 15

