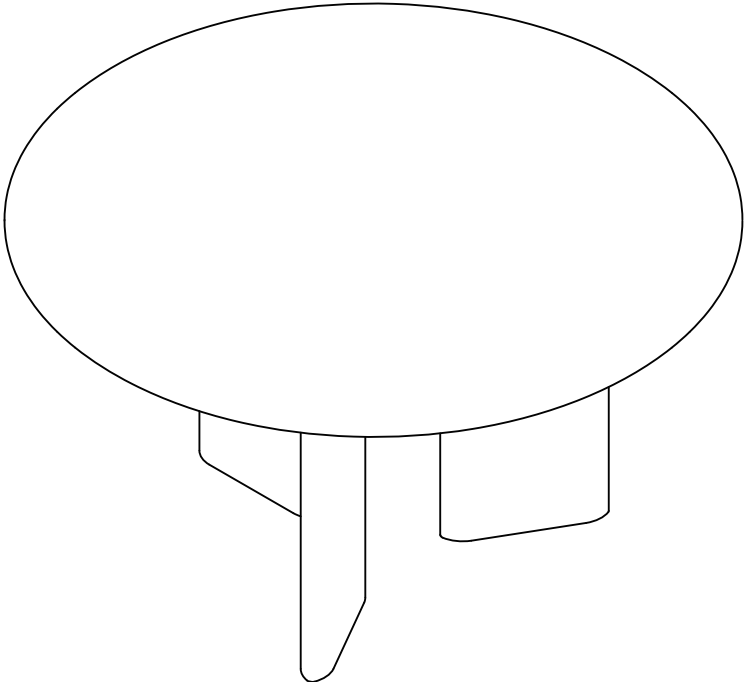


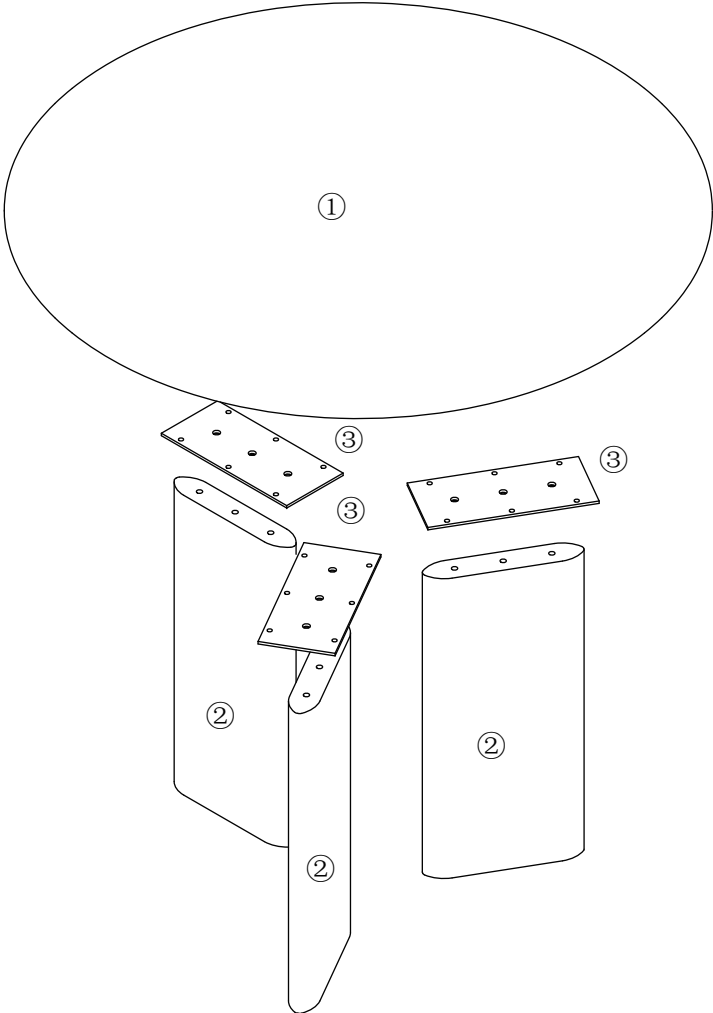
Assembly Instructions

ALBERT-53 ROUND TABLE

PLEASE NOTE: Check that you have received all components and hardware before assembling. If you are missing any parts, contact your retailer.



- A (1 pcs) M5
- B (9 pcs) Ø8x35mm
- C (18 pcs) Ø8x25mm
- D (6 pcs) Ø8x50mm

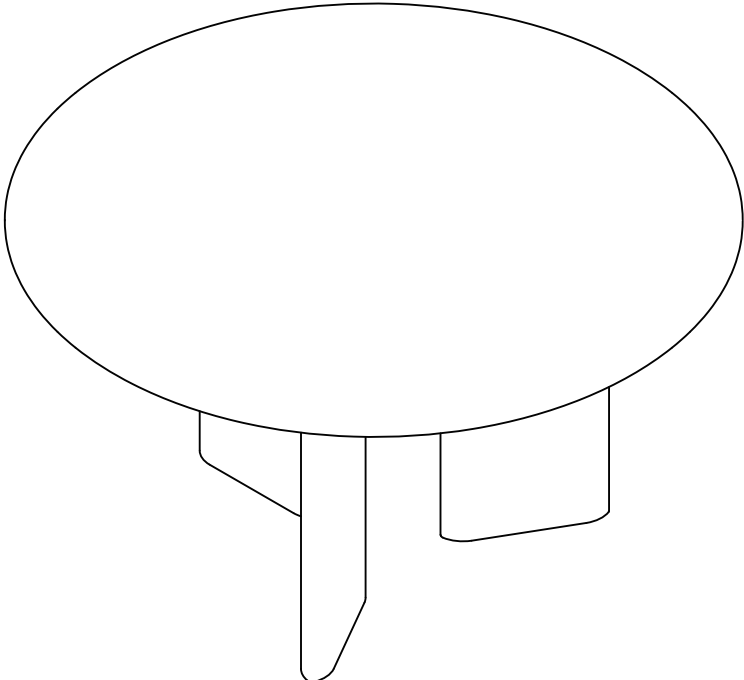


During assembly, hand tighten screws only. When the screws are in place, tighten completely.

Assembly Instructions

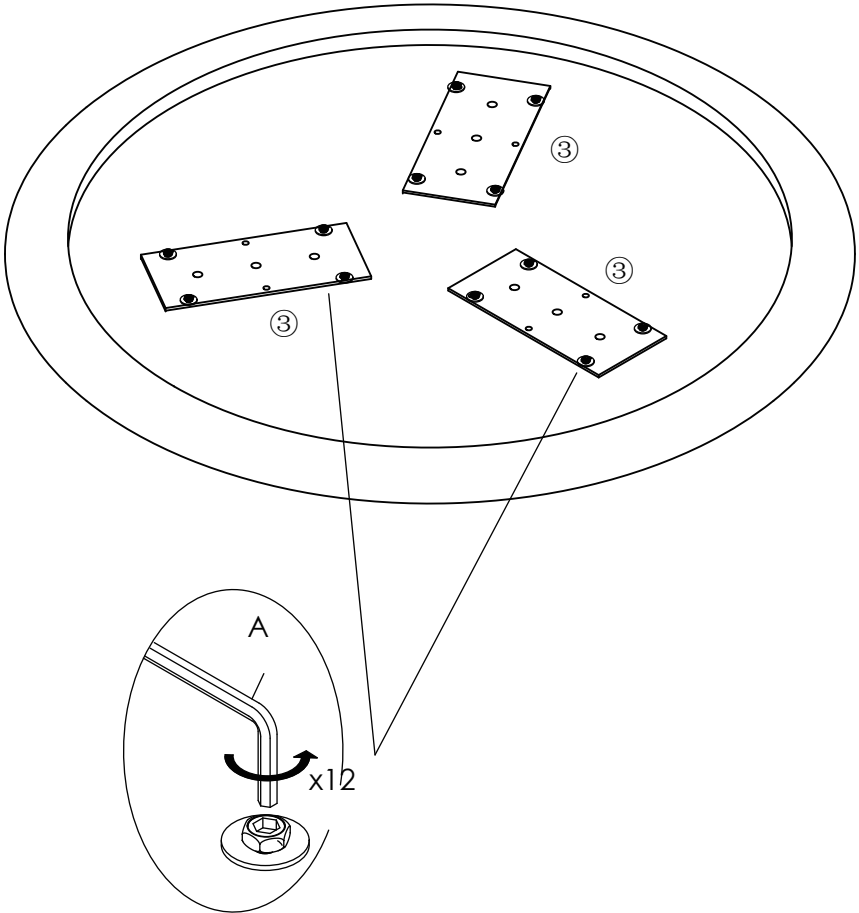
ALBERT-53 ROUND TABLE

PLEASE NOTE: Check that you have received all components and hardware before assembling. If you are missing any parts, contact your retailer.



- A (1 pcs) M5
- B (9 pcs) Ø8x35mm
- C (18 pcs) Ø8x25mm
- D (6 pcs) Ø8x50mm

1. ①



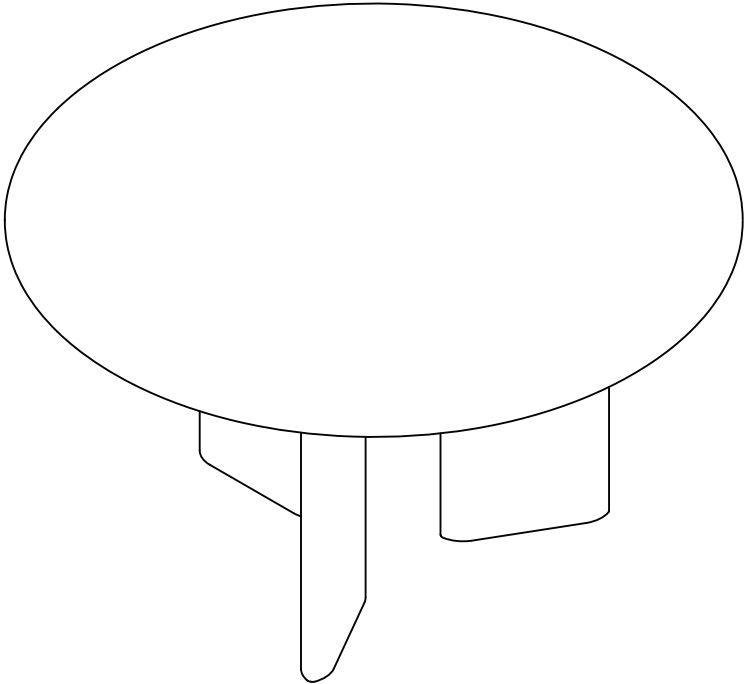
Remove the Connection plate before assembly.


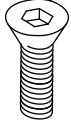
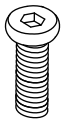

During assembly, hand tighten screws only. When the screws are in place, tighten completely.

Assembly Instructions

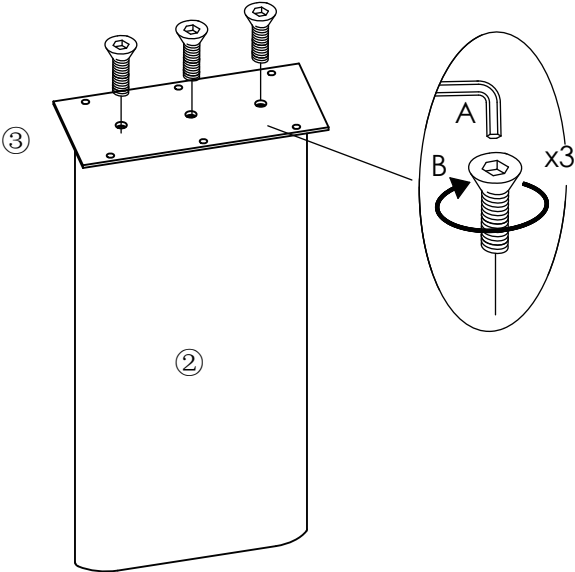
ALBERT-53 ROUND TABLE

PLEASE NOTE: Check that you have received all components and hardware before assembling. If you are missing any parts, contact your retailer.

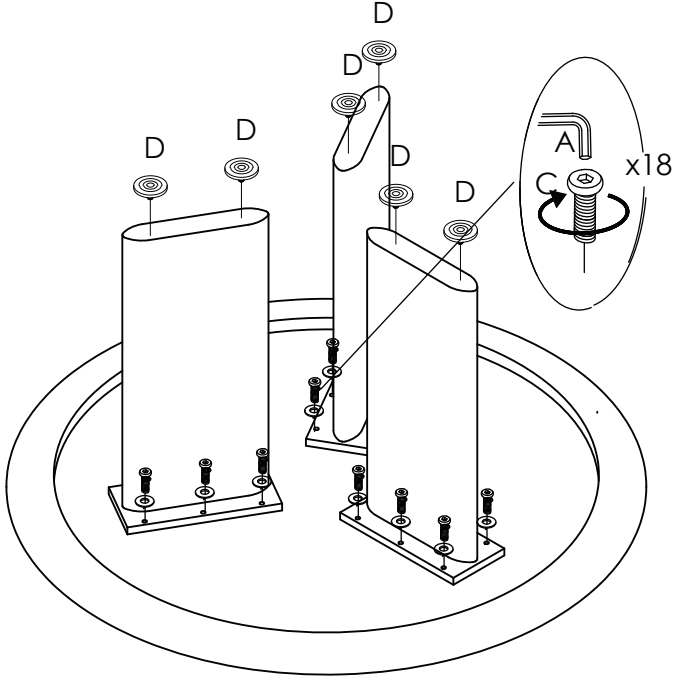


- 
 A (1 pcs)
 M5
- 
 B (9 pcs)
 Ø8x35mm
- 
 C (18 pcs)
 Ø8x25mm
- 
 D (6 pcs)
 Ø8x50mm

2.



3.

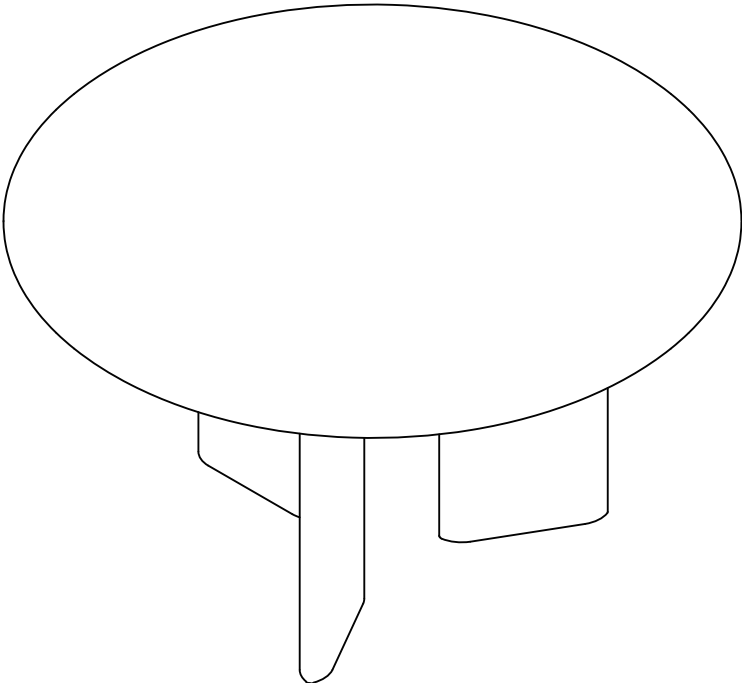


During assembly, hand tighten screws only. When the screws are in place, tighten completely.

Assembly Instructions

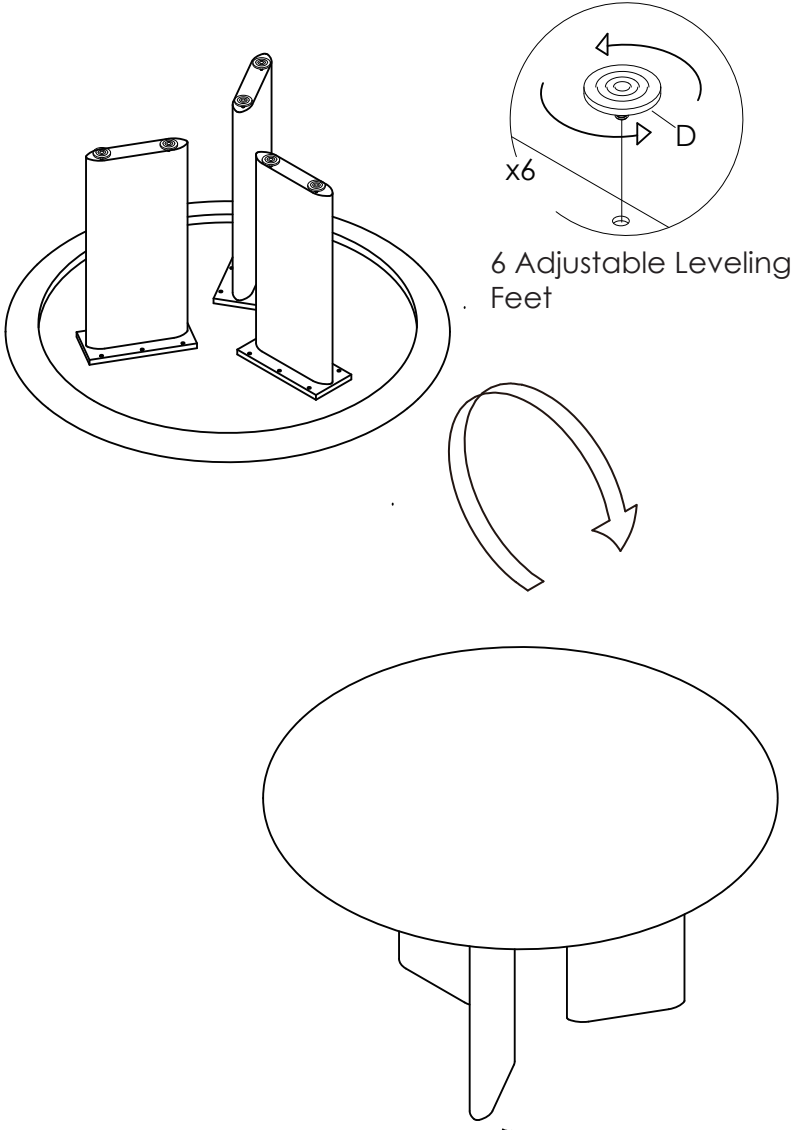
ALBERT-53 ROUND TABLE

PLEASE NOTE: Check that you have received all components and hardware before assembling. If you are missing any parts, contact your retailer.



- A (1 pcs) M5
- B (9 pcs) Ø8x35mm
- C (18 pcs) Ø8x25mm
- D (6 pcs) Ø8x50mm

4.



During assembly, hand tighten screws only. When the screws are in place, tighten completely.