

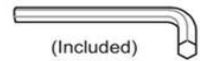
# ASSEMBLY INSTRUCTIONS

---

## TOOLS REQUIRED



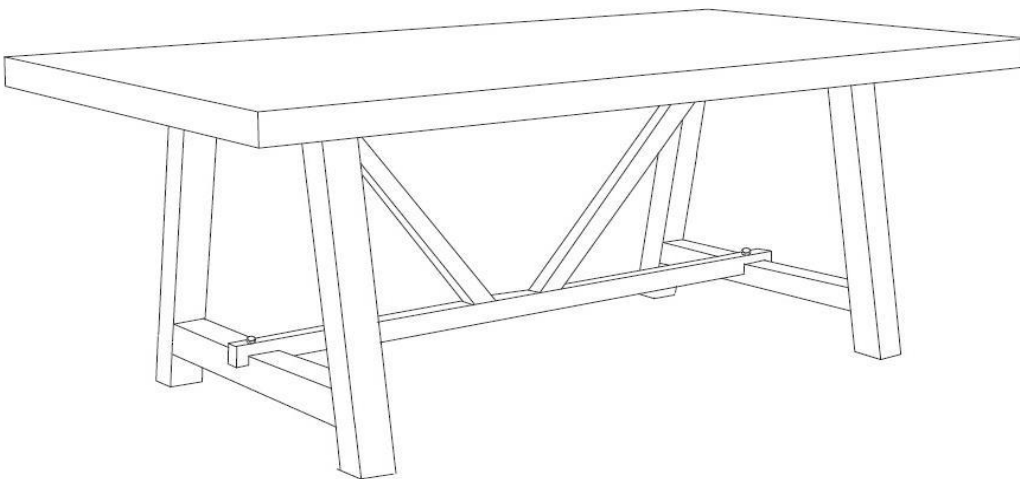
Screwdriver  
( Not included)



(Included)  
Allen Wrench



2 - People



## ASSEMBLY RATING



EASY —————> DIFFICULT

The Assembly Rating is a 5-point system showing the level of effort needed to assemble a specific product.

VERSION# 24-05-20

---



## **CHECK BEFORE STARTING**

**Are you missing anything?**  
Double-check all parts, hardware and accessories listed are all accounted for.

**Should we send any replacements?**  
Are there any irregularities or flaws in the parts? We can send replacements!

**Check out our Quick Tips!**  
We recommend reviewing the pre-assembly handouts. Even experts need a refresher now and then!

**Prep Time!**  
Please review the assembly instructions and all diagrams prior to assembling.

# PRE ASSEMBLY INTRODUCTION

We understand building ready-to-assemble furniture can be a challenging experience for some. To help avoid confusion, we have provided some helpful tips that may speed up the process.



## Teamwork

ALWAYS have at least two people to help with transporting and assembling the product to avoid potential injury and/or damage.



## Suitable Location

Assembling near the area of the intended location is highly recommended.



## Sufficient Space

Make sure you have enough space to move around during the assembly.



## Avoid Scratches

Use cardboard, blankets or a carpeted area while assembling furniture to prevent to prevent scratches and damages.



## Flat Surface

Make sure the furniture rests on a flat and level surface with each leg evenly touching the floor.

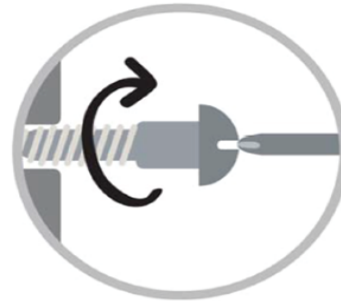
# ASSEMBLY AND CARE ADVICE



**FAILURE TO FOLLOW THE GUIDELINES BELOW MAY RESULT IN INJURY AND/OR PROPERTY DAMAGE.**



Position each part correctly and insert screws or bolts into their respective holes.



Turn clockwise to tighten and only tighten when step is completed or when instructed to do so.



Use the appropriate hand tools or power tools for assembly. Select steps, such as tightening screws and/or bolts, may require hand tools to avoid causing damage during assembly.



Save the instructions and store any supplied tools for later maintenance.



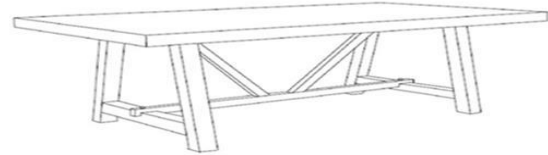
After two weeks, check and tighten any loose hardware and repeat again every six months thereafter.

**IT IS THE USER'S RESPONSIBILITY TO MAINTAIN THE FURNITURE. THE HARDWARE MAY LOOSEN OVER TIME AND MAY CAUSE THE FURNITURE TO BE WOBBLY AND UNABLE TO SUPPORT ITS INTENDED WEIGHT CAPACITY. THIS MAY LEAD TO COLLAPSE AND MAY CAUSE SERIOUS INJURY.**

# TABLE



- Please keep instructions for future reference.
- Check the quantity and irregularity of parts and hardware before you start.



## PARTS

(P1) - 1 PC



TABLE TOP

(P2) - 2 PCS



TRESTLE LEG FRAME

(P3) - 1 pcs



TOP BAR

(P4) - 1 PC



LEG STRETCHERS

(P5) - 2 PCS



DIAGONAL STRETCHER

## HARDWARE

(H1) - 12 PCS



M6x35mm JCBC SCREW

(H2) - 8 PCS



M6x60mm JCBC SCREW

(H3) - 12 PCS



Spring Washer

(H4) - 12 PCS



Flat Washer

(H5) - 2 PCS



Bolt & Nut 1/2"  $\varnothing$  x 4 1/2"

(H6) - 2 PCS



M4 x 32mm CSK Screw

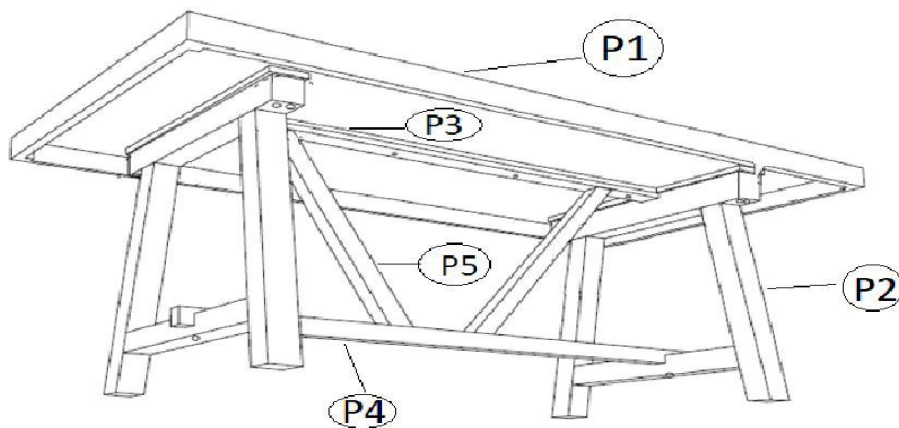
(H7) - 1 PC



Allen Key

(H8) - 4 PCS

Nail Leg





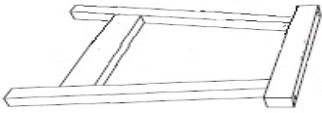


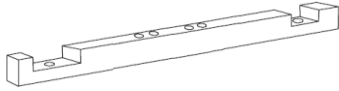






Please read instructions carefully

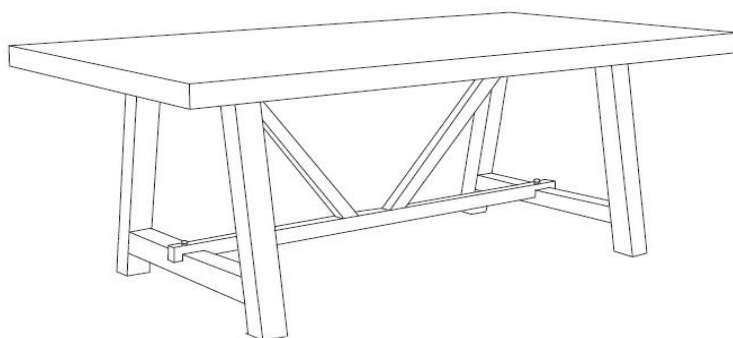
Remove all wrapping materials, staples and packing straps from the carton. Refer to Parts List and Hardware List and ensure they are complete before you start assembling. Place all wooden parts on a clean, flat and soft surface (e.g carpet or rug) to prevent parts from being scratched.

CAUTIONS: 1) DO NOT FULLY TIGHTEN BOLTS AND NUTS UNTIL ALL PARTS HAVE BEEN ASSEMBLED.

2) DO NOT OVER-TIGHTEN BOLTS AND NUTS .

3) KEEP ALL HARDWARE PARTS OUT OF REACH OF CHILDREN.

Carton	Designation	Part List	Hardware List
	TABLE TOP	 P1 x 1pc	 H1 x 12pc
	TRESTLE LEG FRAME	 P2 x 2pc	M6x35mm JCBC SCREW
	TOP BAR	 P3 x 1pc	 H2 x 8pc
	LEG STRETCHERS	 P4 x 1pc	M6x60mm JCBC SCREW
	DIAGONAL STRETCHER	 P4 x 2pc	 H3 x 12pc
			Spring Washer
			 H4 x 12pc
			Flat Washer
			 H5 x 2pc
			Bolt & Nut 1/2" $\varnothing$ x 4 1/2"
			 H6 x 2pc
			M4 x 32mm CSK Screw
			 H7 x 1pc
			Allen Key
			 H8 x 4pc
			Nail Leg

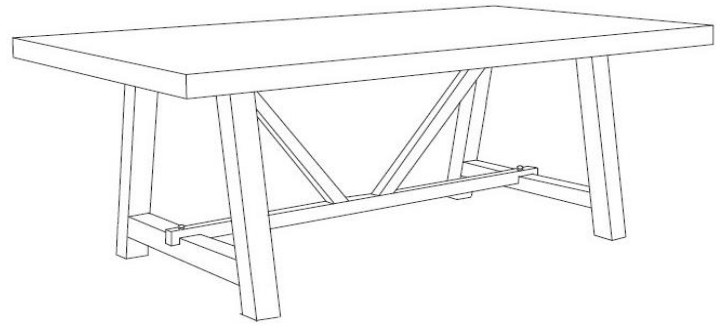


# ASSEMBLY INSTRUCTIONS

## TABLE









### PARTS LIST (FOR 1 TABLE)

NO.	COMPONENT	QTY.
P1	TABLE TOP	1
P2	TRESTLE LEG FRAME	2
P3	TOP BAR	1
P4	LEG STRETCHERS	1
P5	DIAGONAL STRETCHER	2



COMPLETE ASSEMBLY

### HARDWARE LIST (FOR 1 TABLE)

NO.	DESCRIPTION	QTY.
H1	JCBC SCREW M6 x 35MM 	12
H2	JCBC SCREW M6 x 60MM 	8
H3	SPRING WASHER 	12
H4	FLAT WASHER 	12
H5	BOLT & NUT 1/2" Ø X 4 1/2" 	2
H6	M4 x 32MM CSK SCREW 	2
H7	ALLEN KEY 	1
H8	NAIL LEG 	4

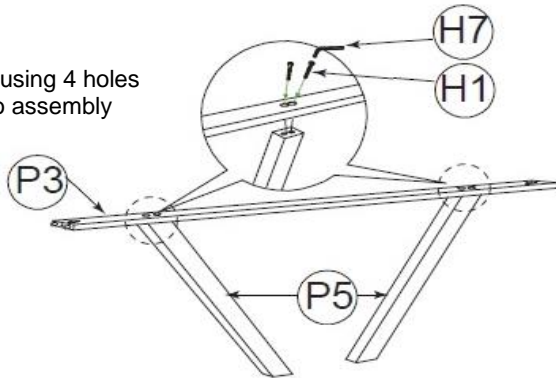
\* HOUSEHOLD SCREWDRIVER (NOT PROVIDED)  
 \* HOUSEHOLD WRENCH (NOT PROVIDED)  
 \* MALLET (NOT PROVIDED)

### STEP 1

Assemble both diagonal Stretchers (P5) into the Top bar (P3) by aligning Bolts (H1). Use Allen Key (H7) to tighten the bolts.

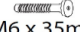
H1 x 4  M6 x 35mm

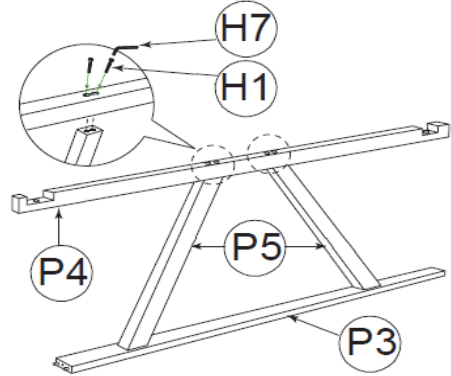
Make sure using 4 holes face (P3) to assembly



### STEP 2

Assemble both Diagonal Stretchers (P5) into the Leg Stretcher (P4) by aligning Bolts (H1). Use Allen Key (H7) to tighten the bolts

H1 x 4  M6 x 35mm

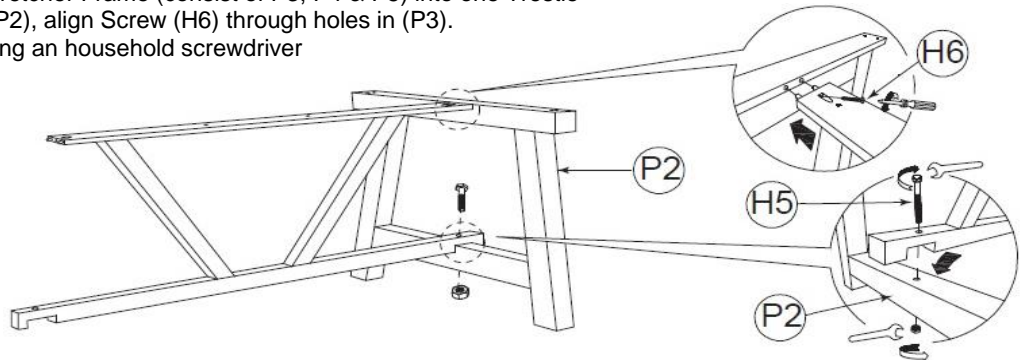


### STEP 3

Attach the Stretcher Frame (consist of P3, P4 & P5) into one Trestle Leg Frame (P2), align Screw (H6) through holes in (P3). Tighten it using an household screwdriver

H6 x 1  M4 x 32mm



H5 x 1 



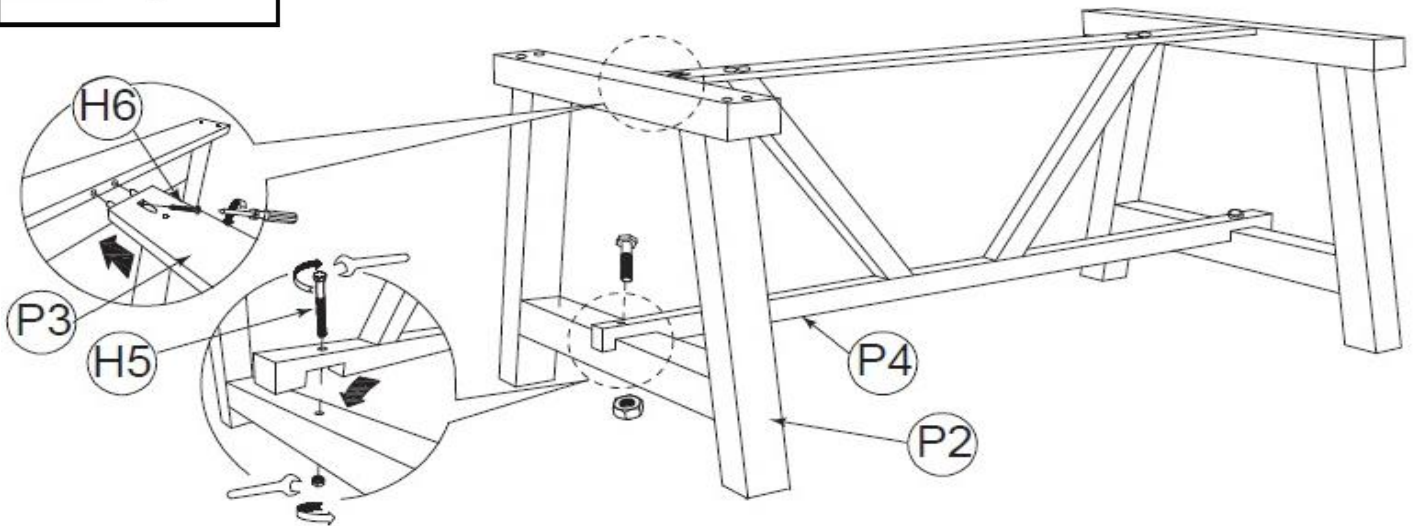
Then, align Bolt (H5) through a hole in (P4) into a hole in the Trestle Leg frame (P2) right to the Nut. Tighten it using a household Wrench.

## STEP 4

H6 x 1   
M4 x 32mm


H5 x 1  


Now repeat same process on the other side of the Trestle Leg Frame and Attach the Stretcher Frame (consist of P3, P4 & P5) to complete the base assembly step. Again, align Screw (H6) through holes in (P3). Tighten it using an household screwdriver.




Then, align Bolt (H5) through a hole in (P4) into a hole in the Trestle Leg frame (P2) right to the Nut. Tighten it using a household Wrench

## STEP 5

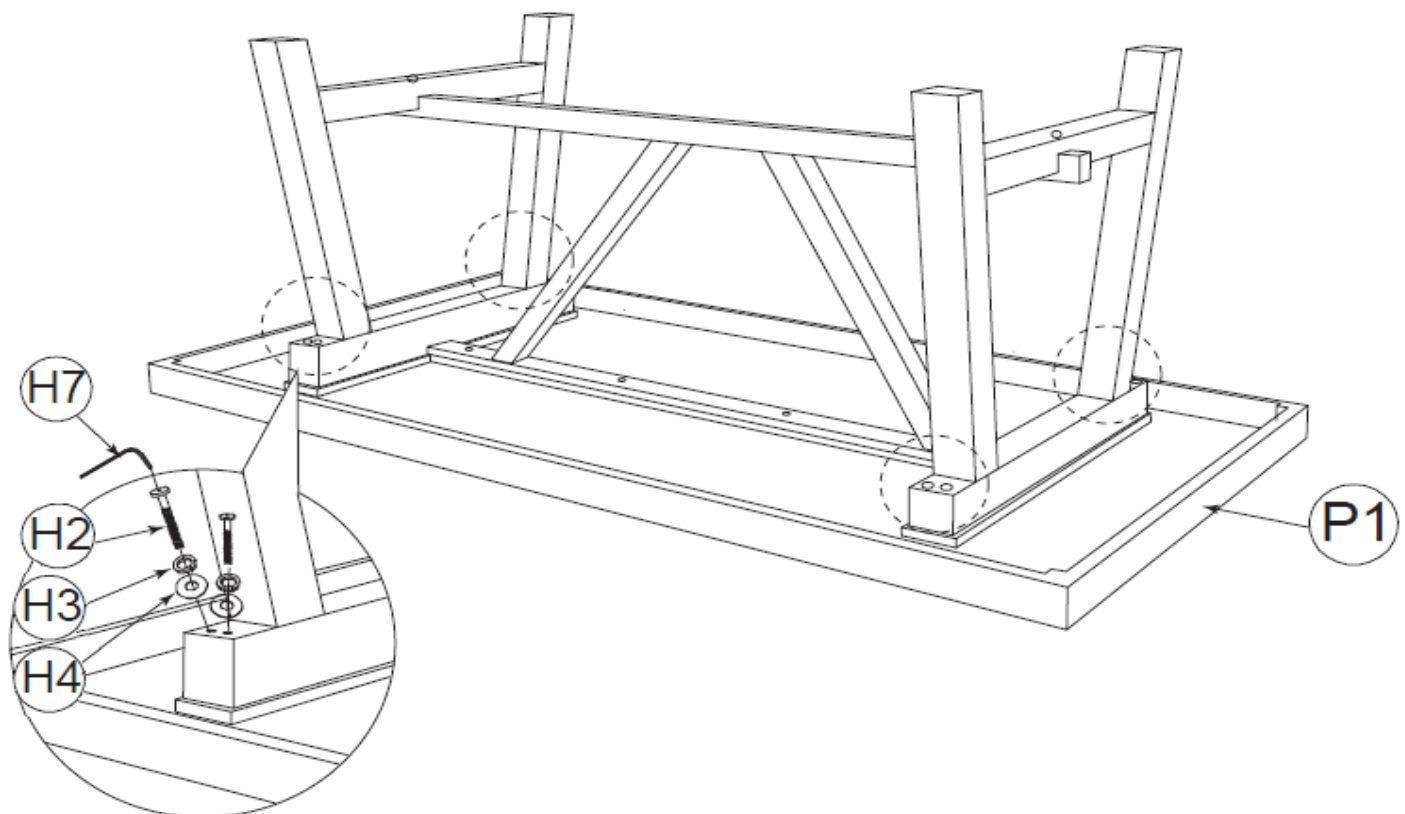
H2 x 8   
M6 x 60mm

H3 x 8 

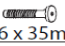
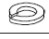

H4 x 8 

Prepare the Table top (P1) by placing it upside down on a soft clean surface (cardboard, blanket or carpet), to protect it from scratches.

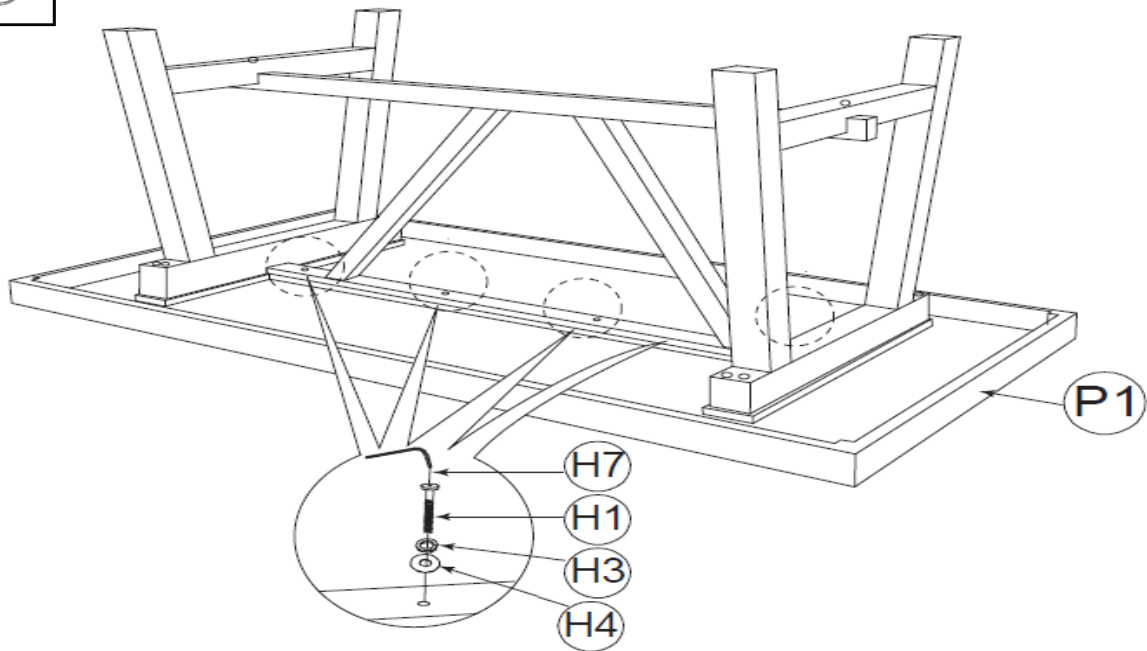
Turn the assemble leg upside down, then attach it onto the table top. Align Bolts (H2) together with Spring washer (H3) & Flat washer (H4) through the desired holes in the leg frame right into the holes in the Table top. Tighten the bolts using the Allen key (H7). Do not tighten completely until all 8 screws are in place . Do not over tighten the screws .



## STEP 6

H1 x 4	
M6 x 35mm	
H3 x 4	
H4 x 4	

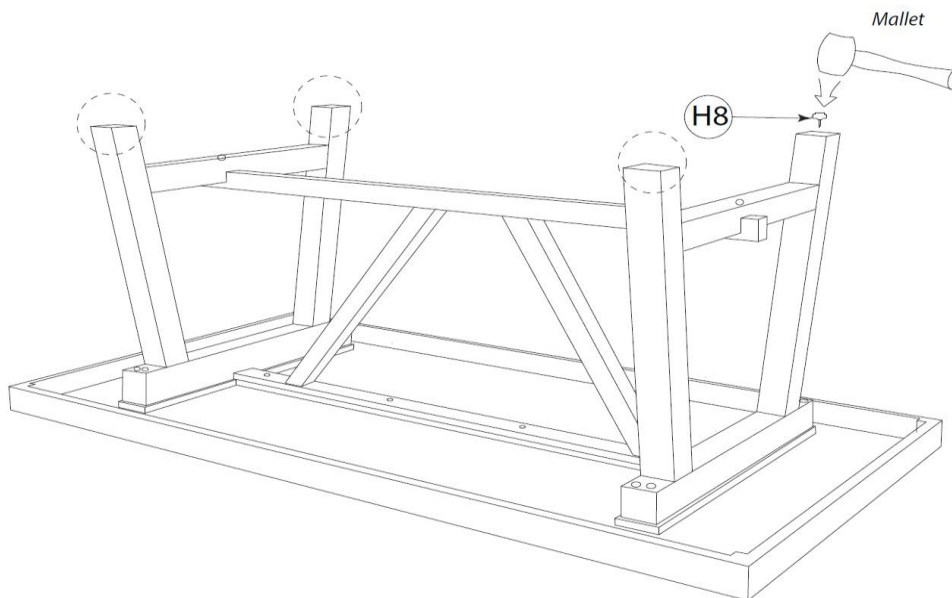
Then align Bolt (H1) together with Spring washer (H3) & Flat washer (H4) into holes in the top bar and tighten it using the Allen key (H7).  
Do not tighten completely until all 4 screws are in place .  
Do not over tighten the screws .



## STEP 7

H8 x 4	
--------	---

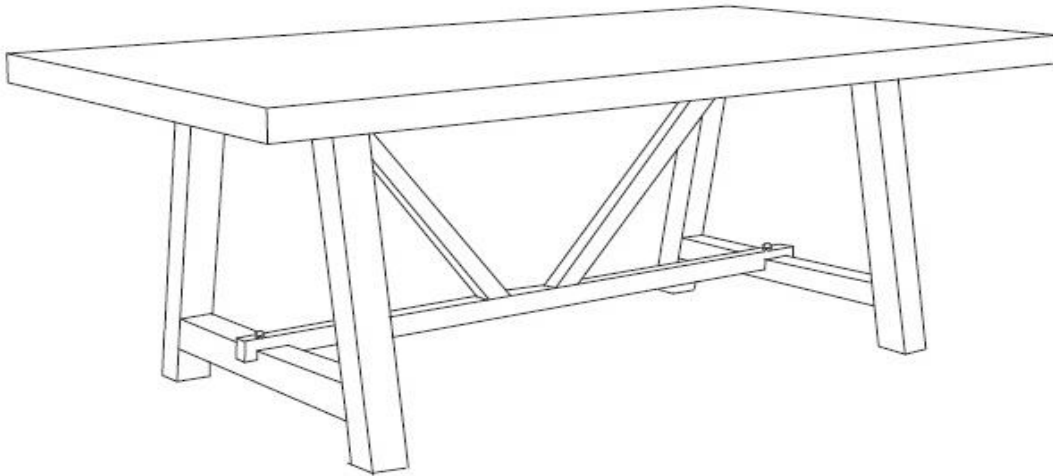
Tap the Nail leg (H8) to each table Leg .



**Carefully reposition the table upright. Remember to ALWAYS do this last step with at least two people (adults) to avoid injuries.**

### CARE AND MAINTENANCE

- SAFETY** - To avoid any risk of suffocation to children or animals, dispose off the plastic bags immediately.
- CLEANING** - Clean with damp cloth and mild detergent. Do not use bleach or abrasive products.
- FITTINGS** - Tighten bolts and nuts from time to time to ensure all parts of product are securely fitted.



## ASSEMBLY COMPLETED



Please ensure the furniture rests on an even and flat surface. If the product wobbles or feels loose, double-check all bolts and/or screws are properly tightened and secured.



### **Keep this handy!**

Please retain this instruction manual and any order-related information for future reference.



### **Lift, don't drag!**

To avoid damage to product please always LIFT the product when transporting or adjusting the placement.

**This product is intended for RESIDENTIAL USE ONLY and not for commercial use .**

### CARE AND MAINTENANCE

**SAFETY** - To avoid any risk of suffocation to children or animals, dispose off the plastic bags immediately.

**CLEANING** - Clean with damp cloth and mild detergent. Do not use bleach or abrasive products.

**FITTINGS** - Tighten bolts and nuts from time to time to ensure all parts of product are securely fitted.