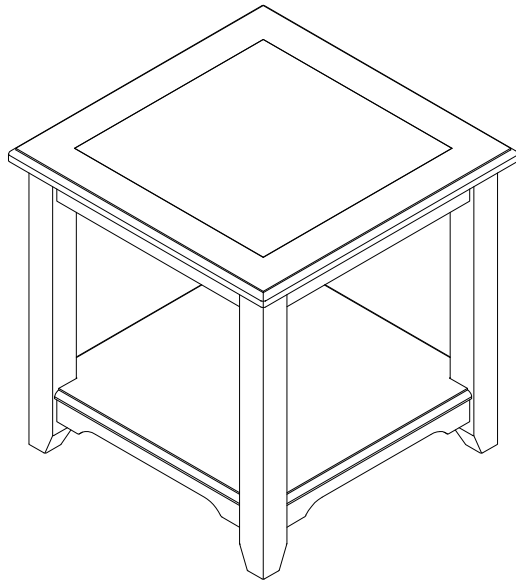


ASSEMBLY INSTRUCTIONS

DESCRIPTION: END TABLE

Thank you for purchasing this quality product. Be sure to check all packing material carefully for small parts which may have come loose inside the carton during shipment. Identify and count all parts and compare with the parts list below:



PARTS LIST

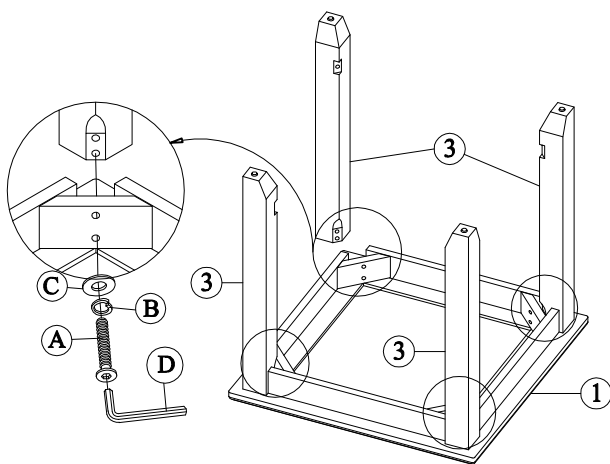
| NO. | SKETCH | DESCRIPTION | Q'TY |
|-----|--------|----------------------|-------|
| 1 | | TABLE TOP WITH APRON | 1 PC |
| 2 | | SHELF | 1 PC |
| 3 | | LEGS | 4 PCS |

4

ASSEMBLY HARDWARE PACK

| NO. | SKETCH | HARDWARE | Q'TY |
|-----|--------|-------------------------------------|--------|
| A | | $\frac{5}{16}$ " x 60mm BOLT | 12 PCS |
| B | | $\frac{5}{16}$ " x 13mm LOCK WASHER | 12 PCS |
| C | | $\frac{5}{16}$ " x 16mm FLAT WASHER | 12 PCS |
| D | | 4mm ALLEN KEY | 1 PC |

STEP 1:



Note: Do not fully tighten

STEP 2:

Note: Once all Legs are in place, fully tighten bolts by using clockwise using provided Allen Key until secure

