


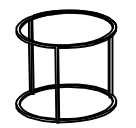
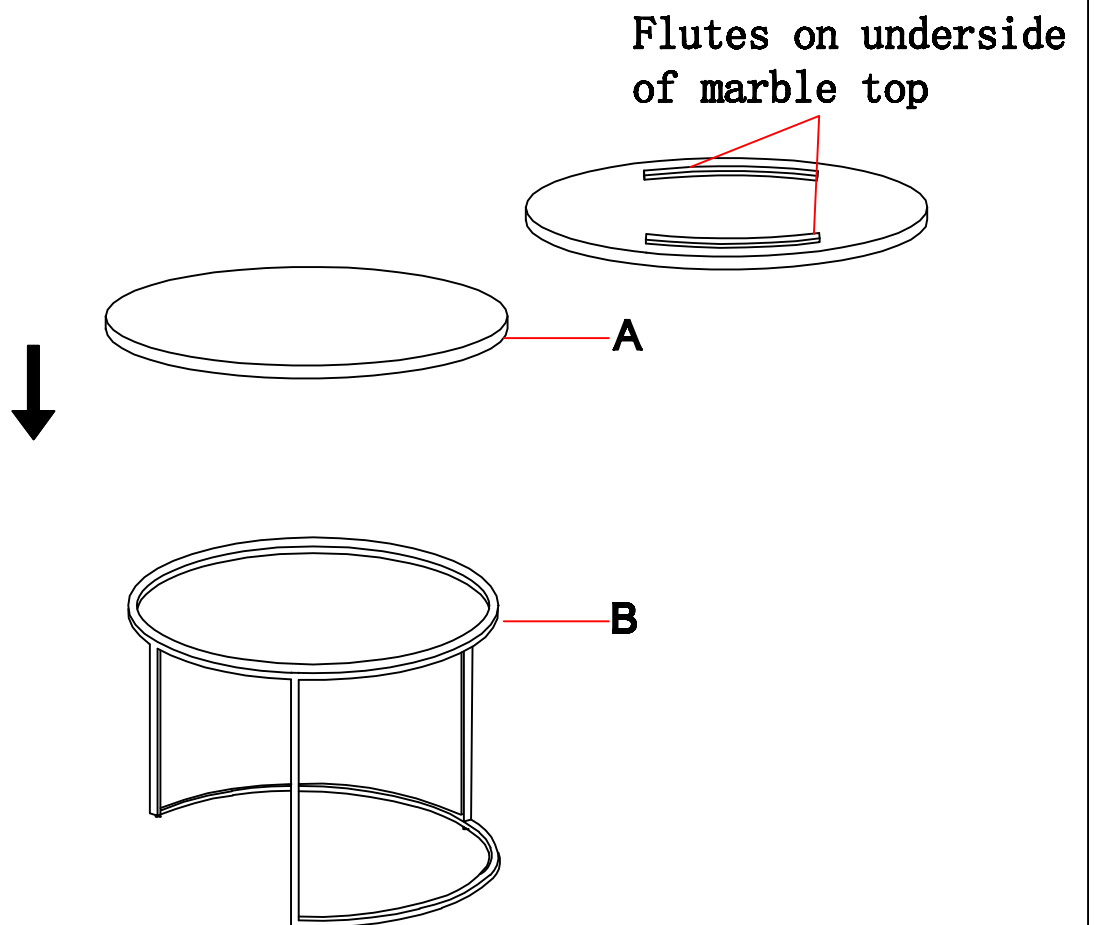


# Assembly Instructions

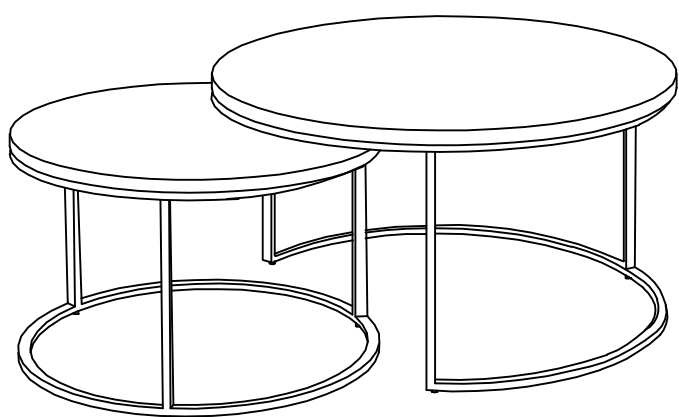
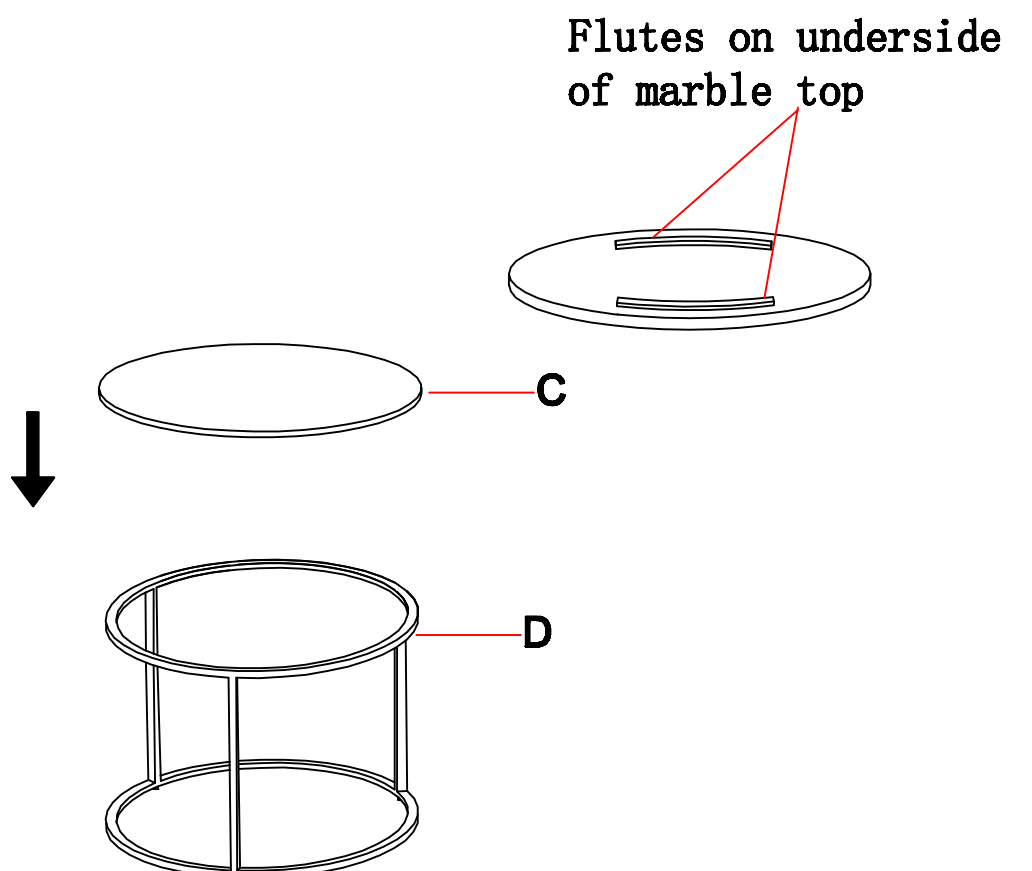
## Parts

| NO. | Picture   | Description | Size  | QTY |
|-----|---|-------------|---|-----|
| A   |    | marble top  | $\text{Ø}31^{**}13\frac{1}{16}"$            | 1   |
| B   |   | Metal base  | $\text{Ø}30\frac{5}{8}^{**}15\frac{9}{16}"$ | 1   |
| C   |  | marble top  | $\text{Ø}23\frac{5}{8}^{**}13\frac{1}{16}"$ | 1   |
| D   |  | Metal base  | $\text{Ø}23\frac{1}{4}^{**}14"$             | 1   |

**STEP:1**、Put the Marble top (A) onto the top of Metal base (B) through the flutes on underside of marble top as diagram shown.



**STEP 2**、Put the Marble top (C) onto the top of Metal base (D) through the flutes on underside of marble top as diagram shown.



**Overall Size:**  $31"W*31"D*16\frac{3}{8}"H$   
 $23\frac{5}{8}"W*23\frac{5}{8}"D*14\frac{13}{16}"H$