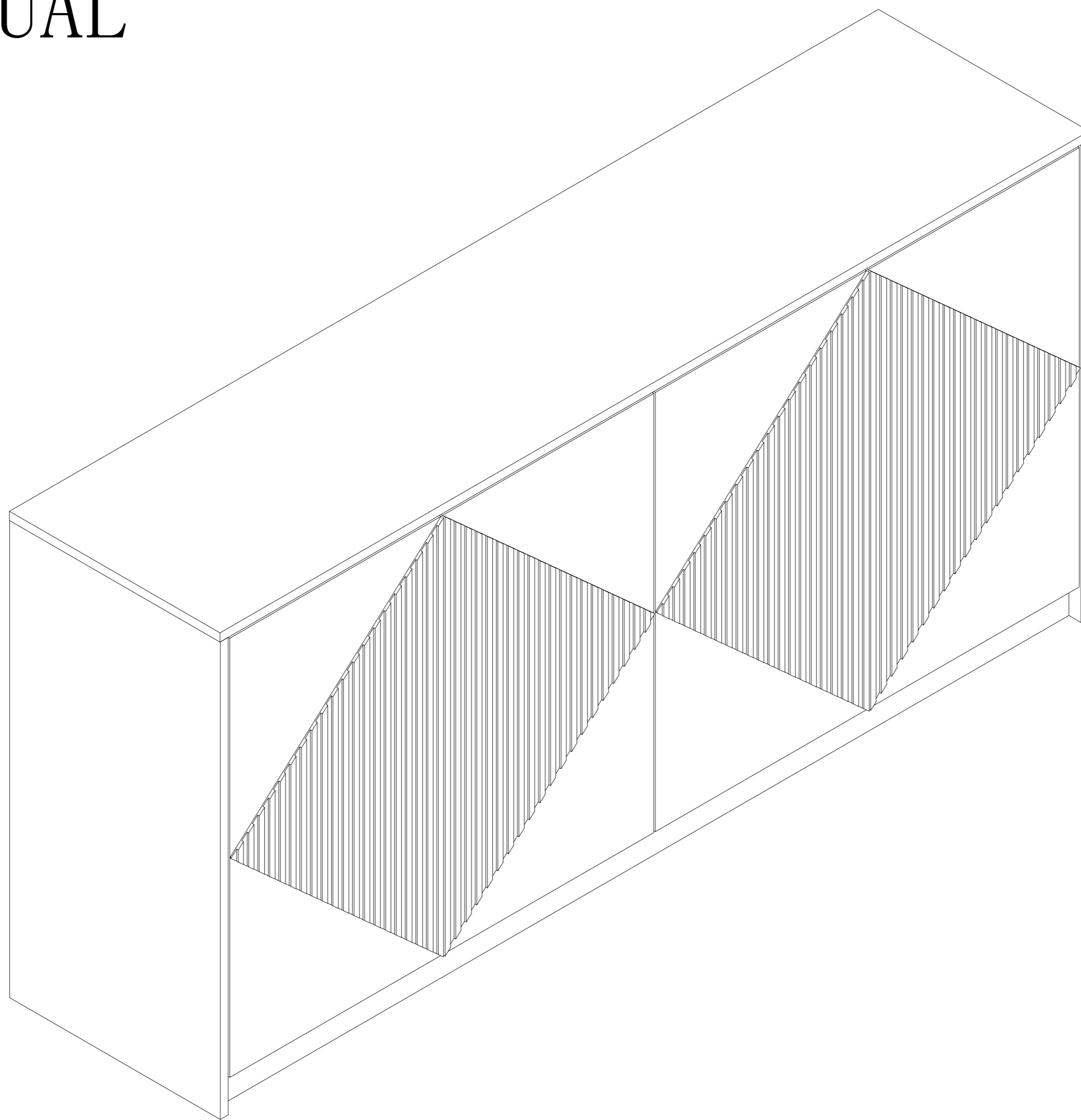
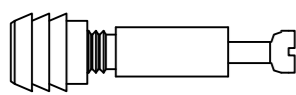

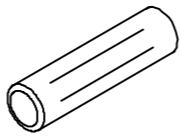
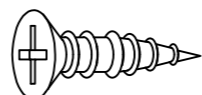
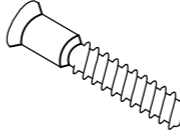
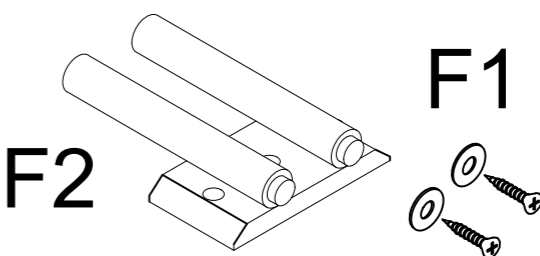
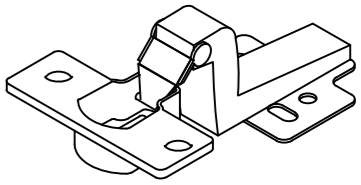
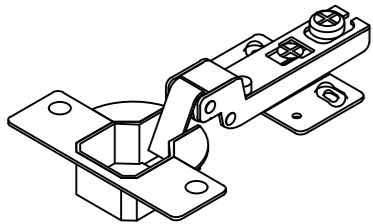
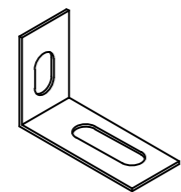
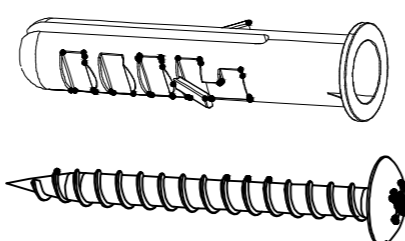
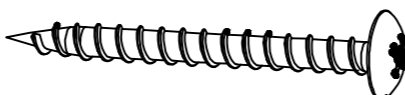
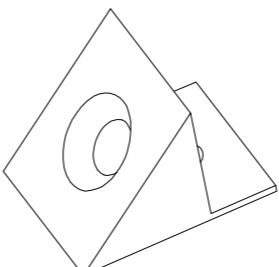
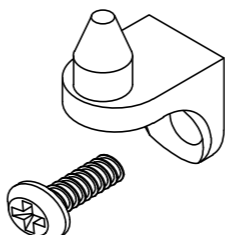

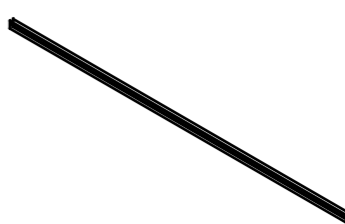
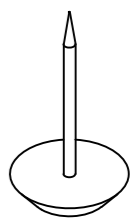


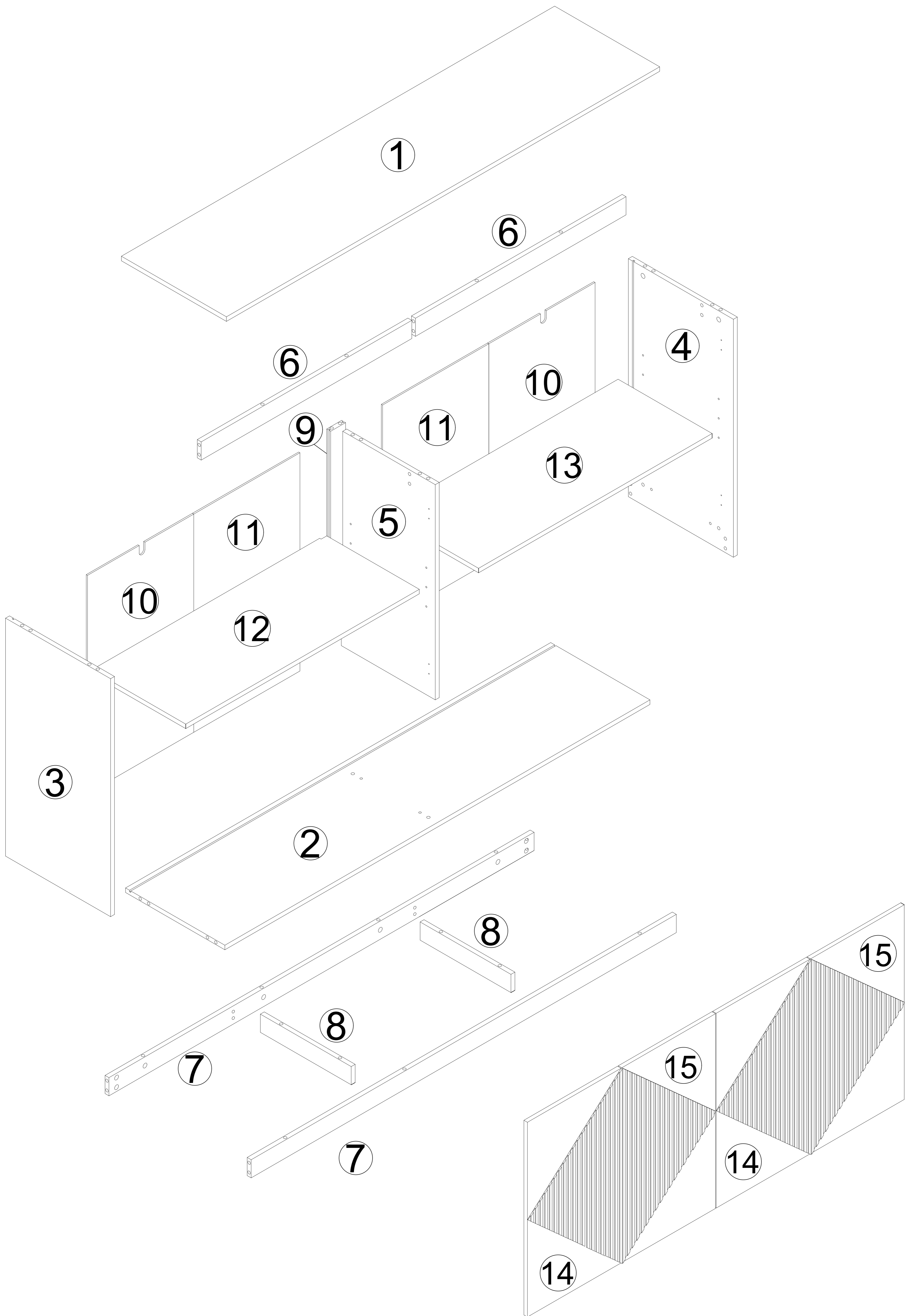
USER MANUAL

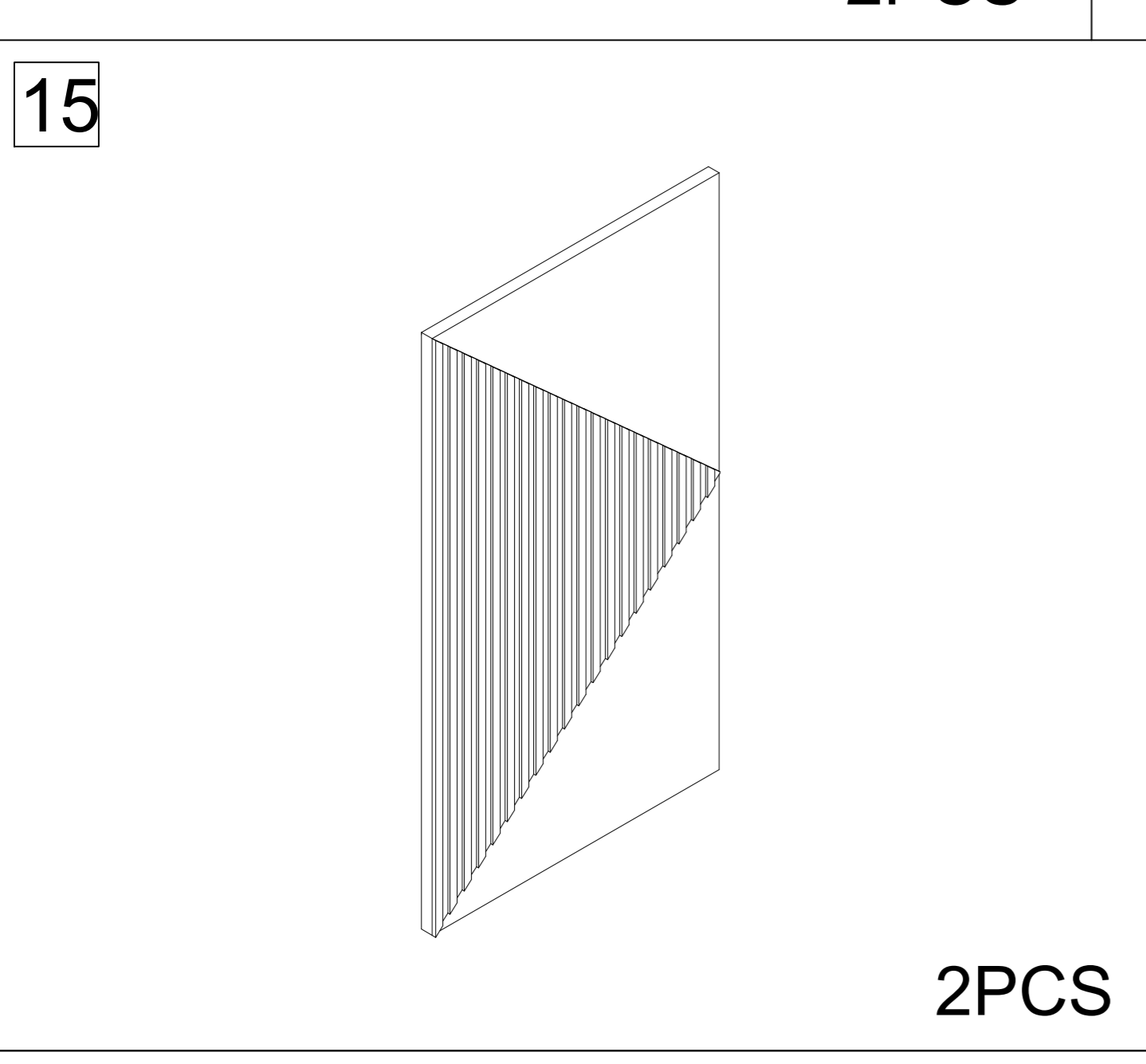
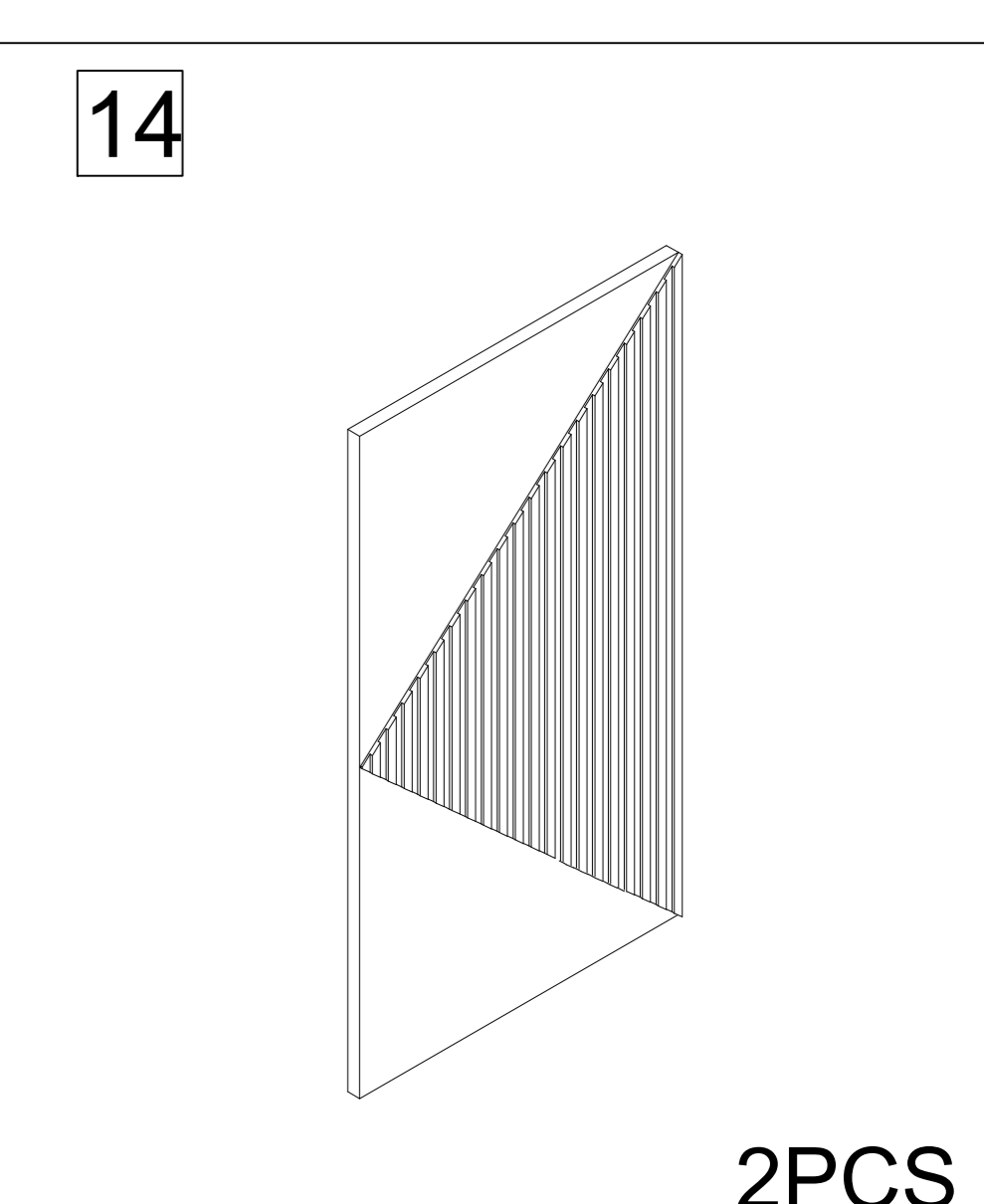
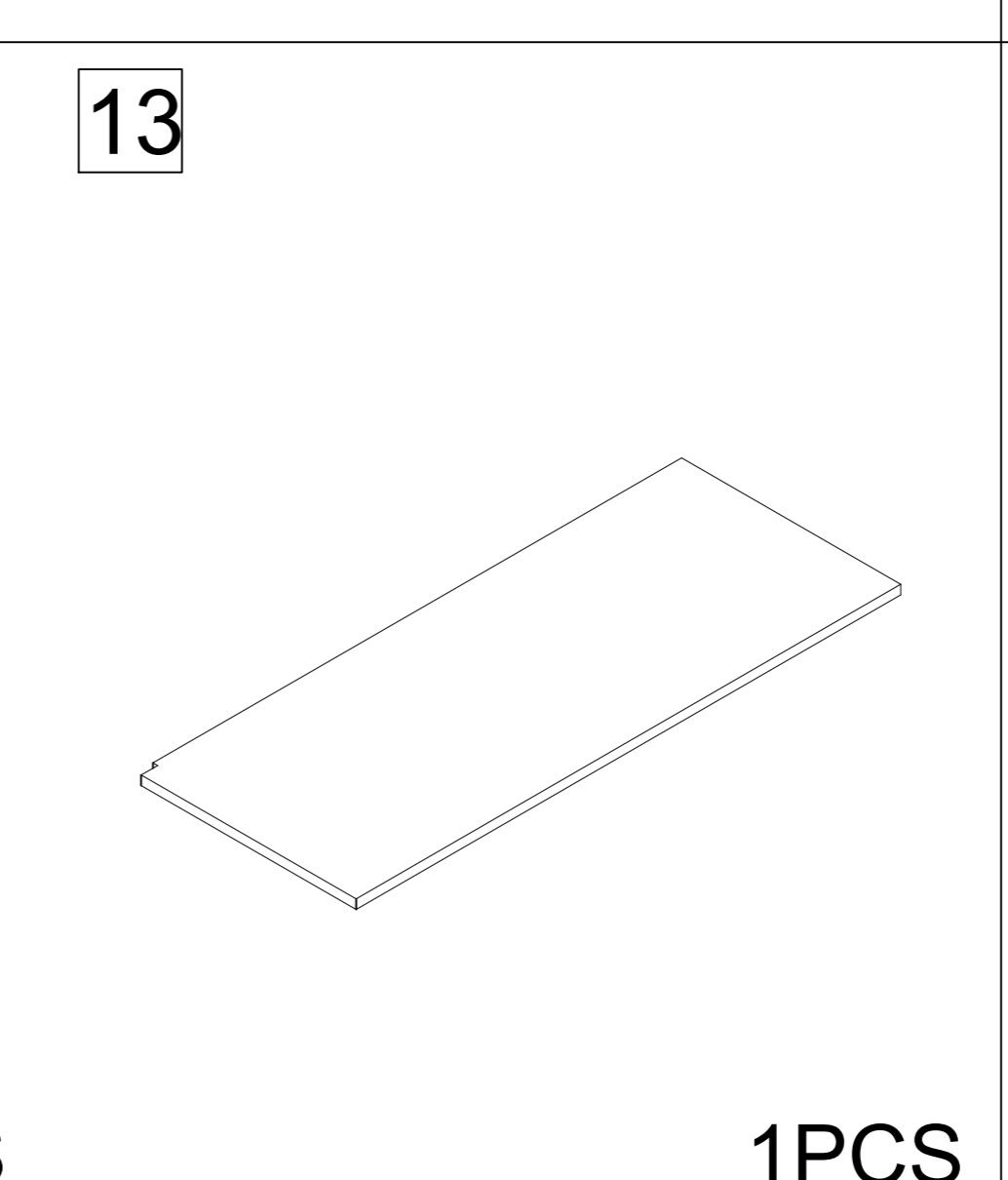
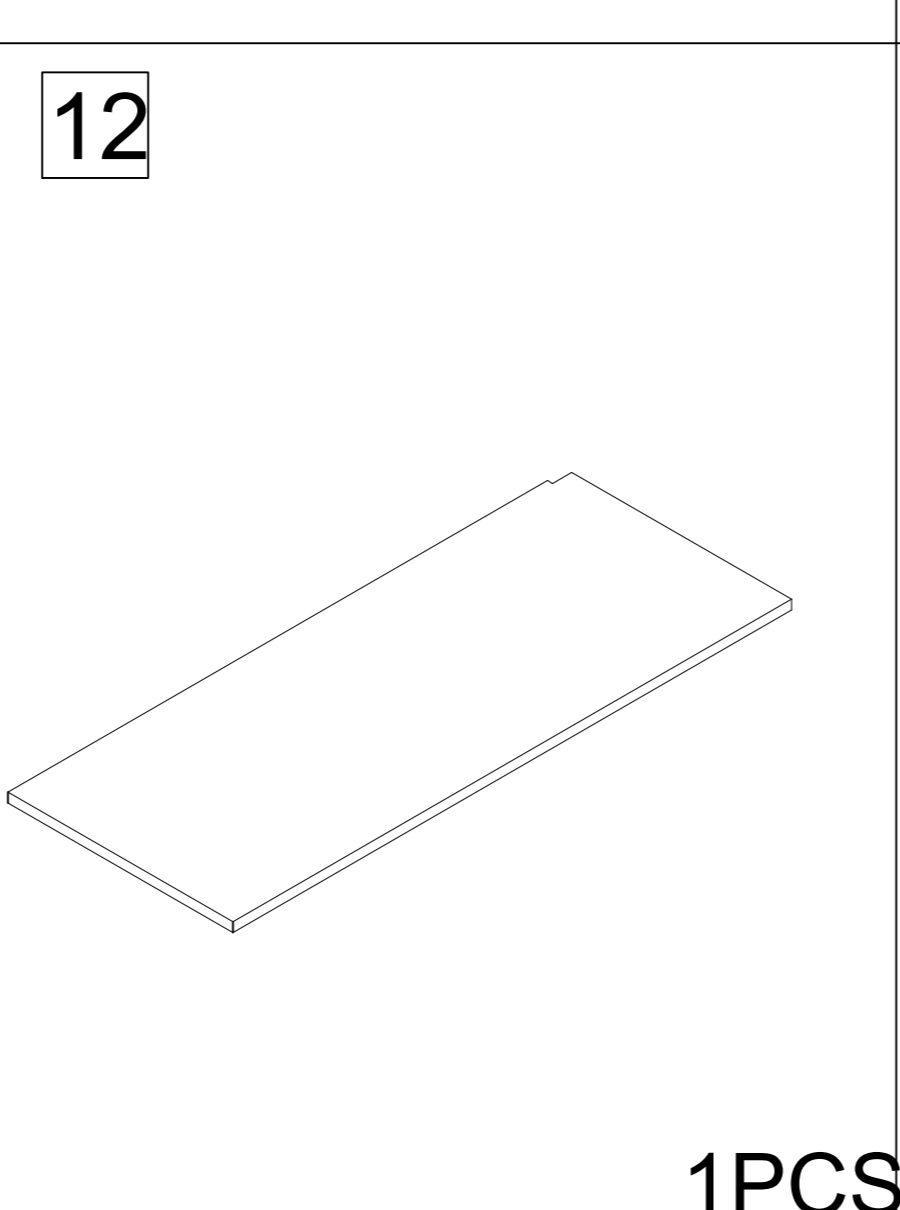
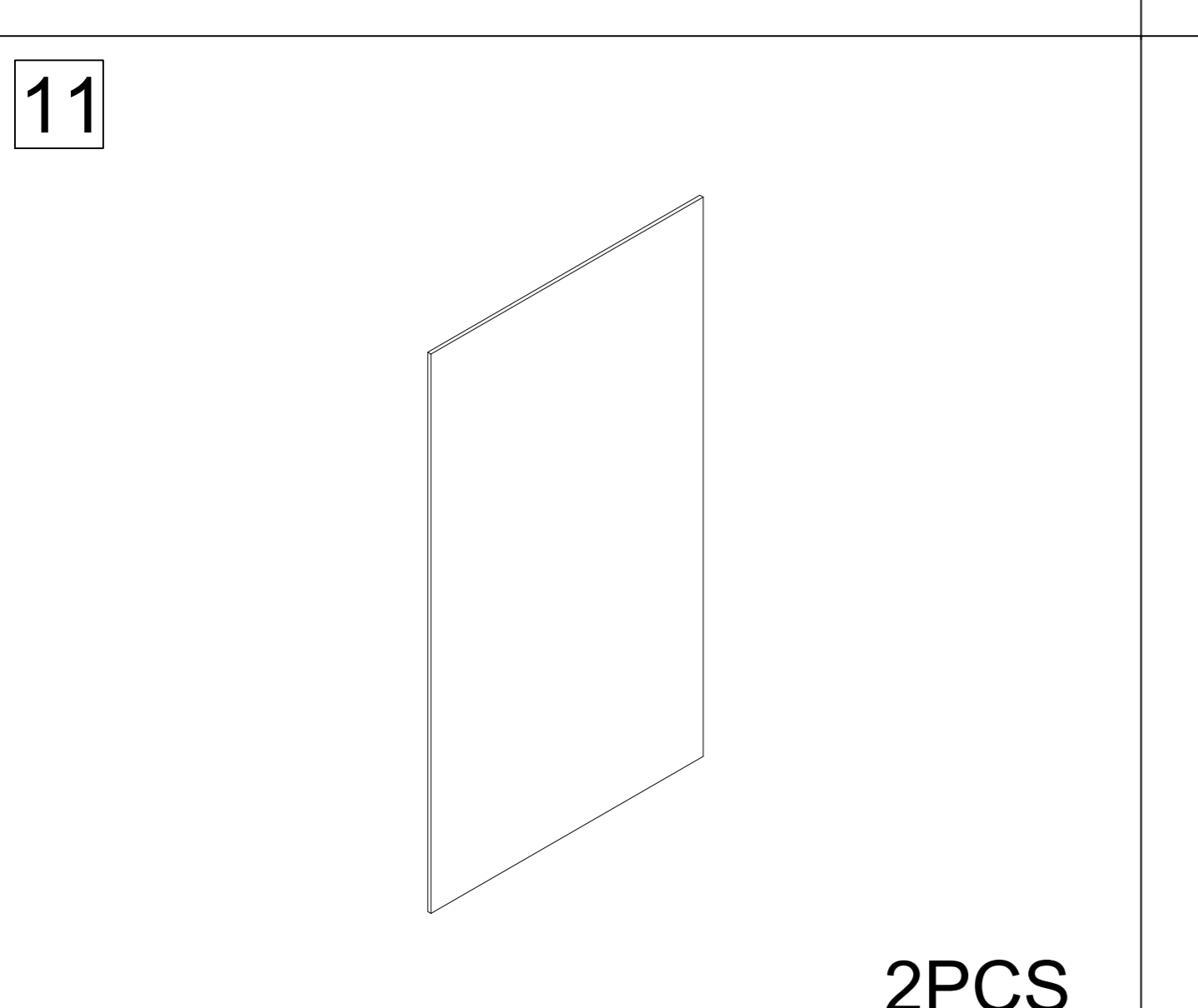
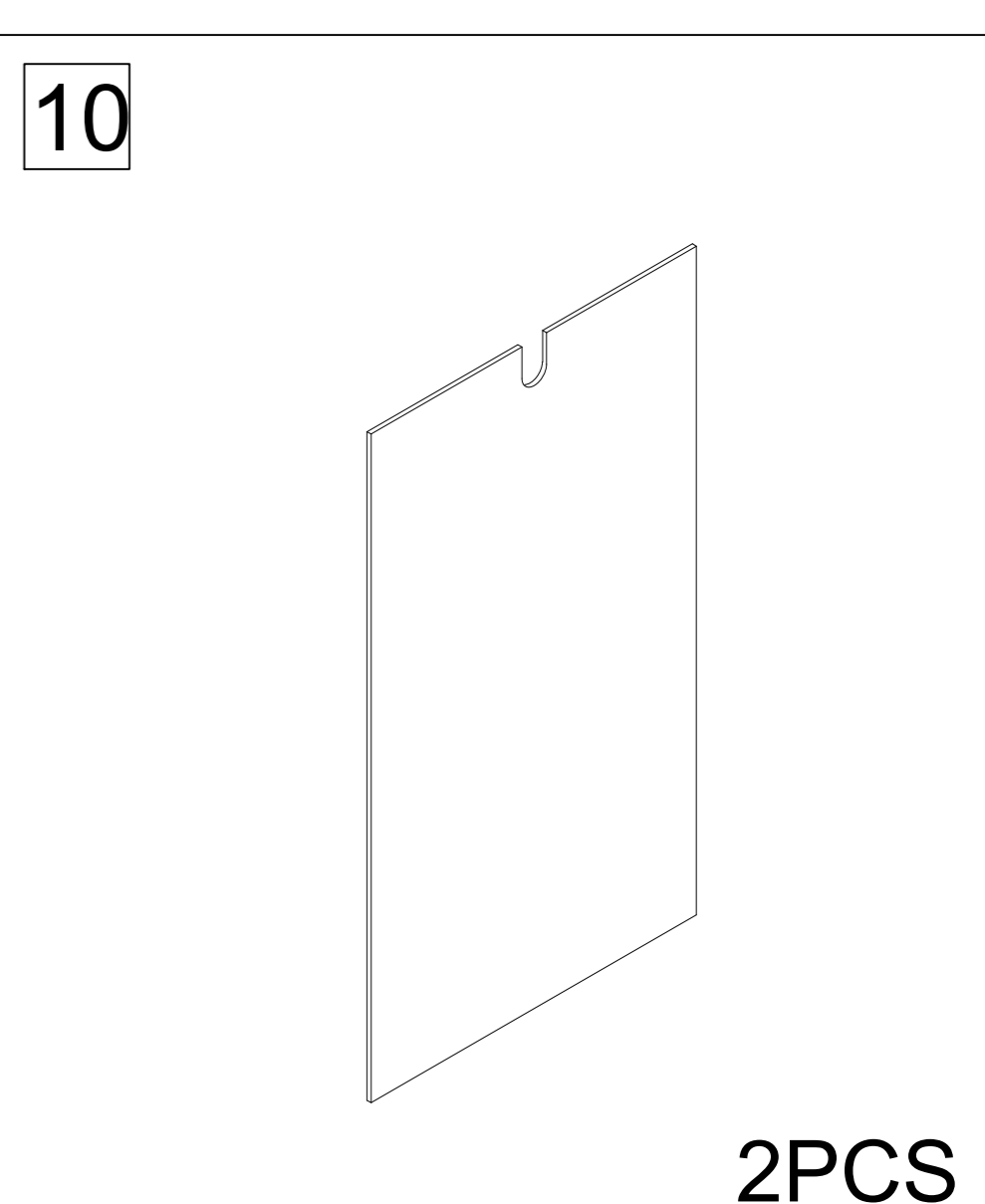
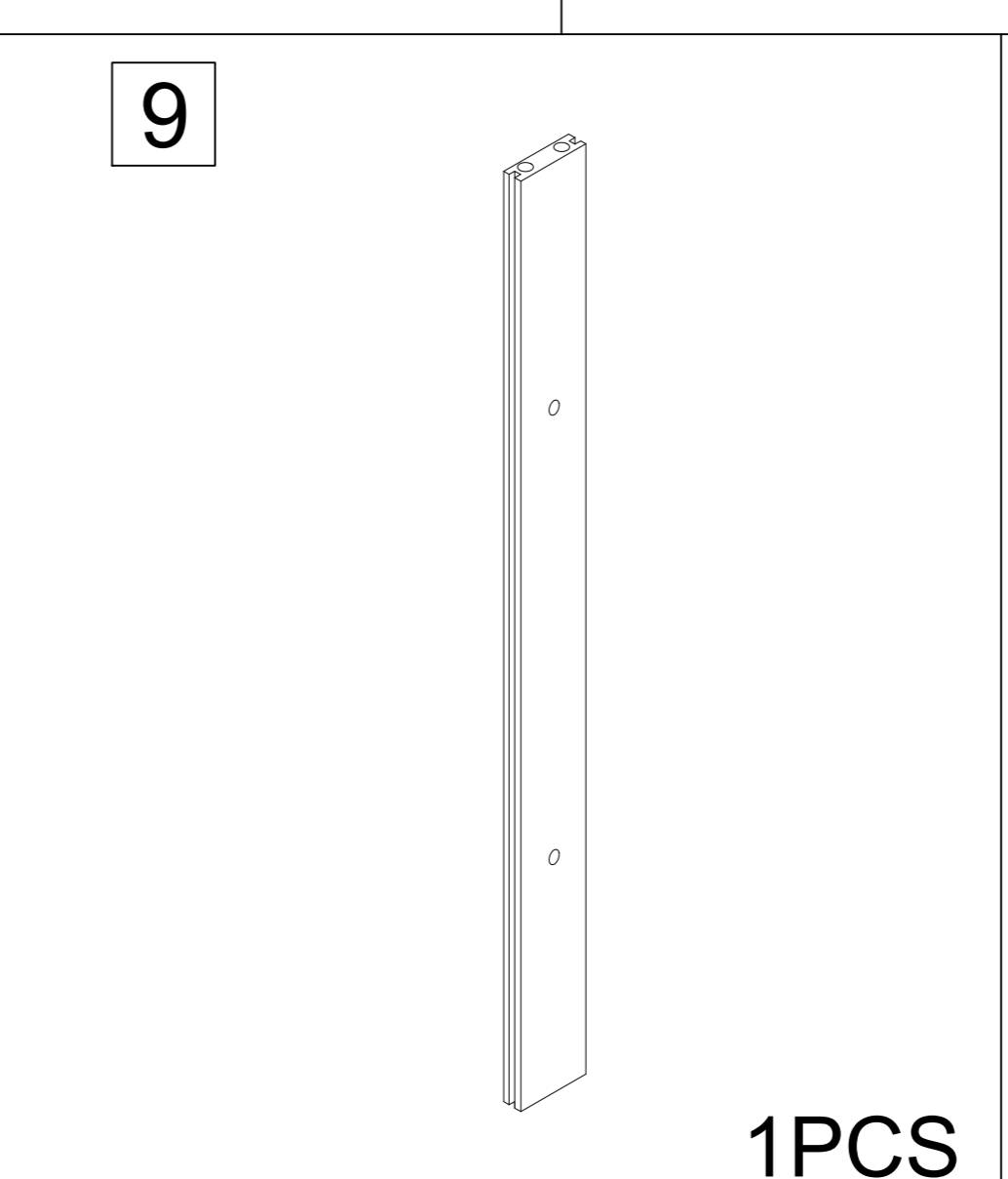
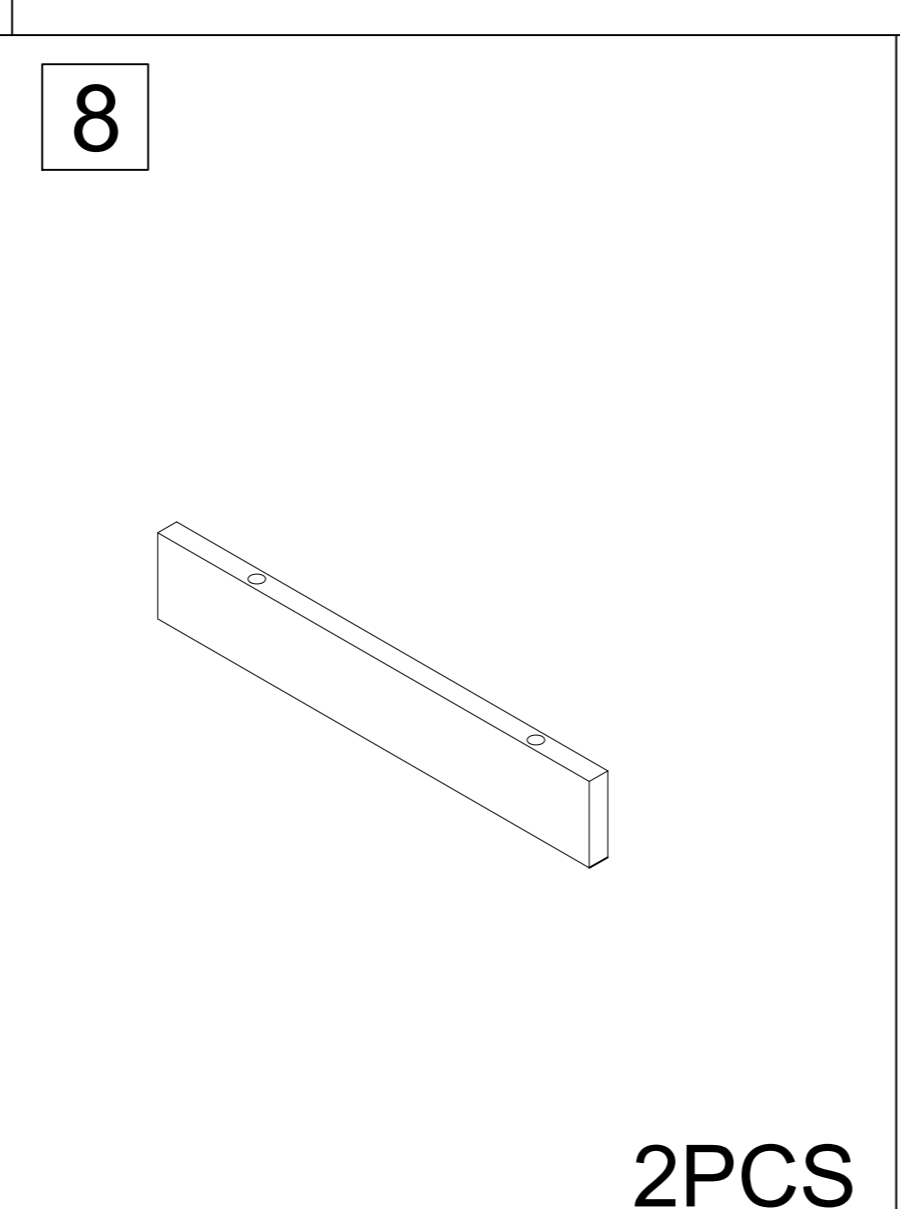
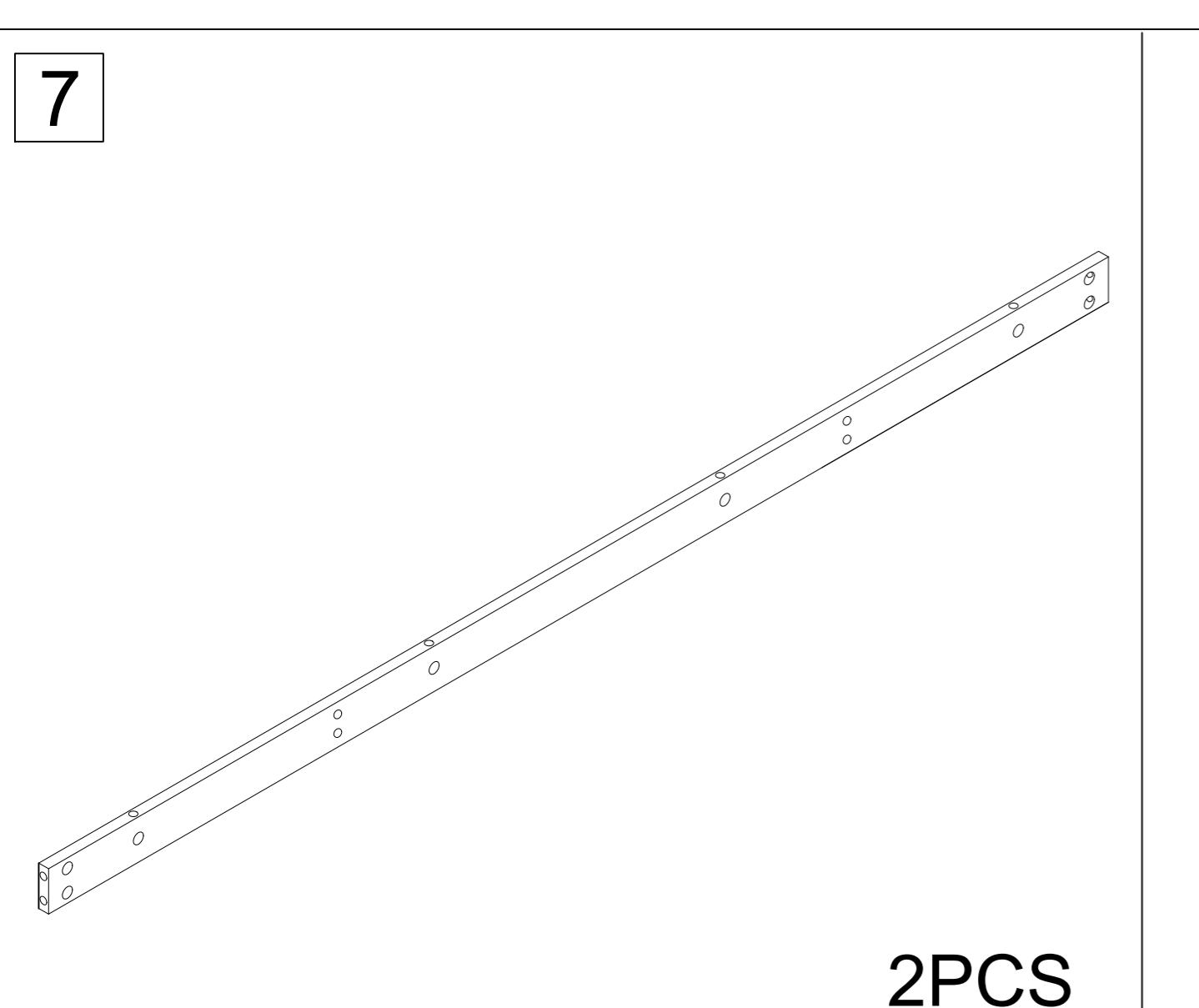
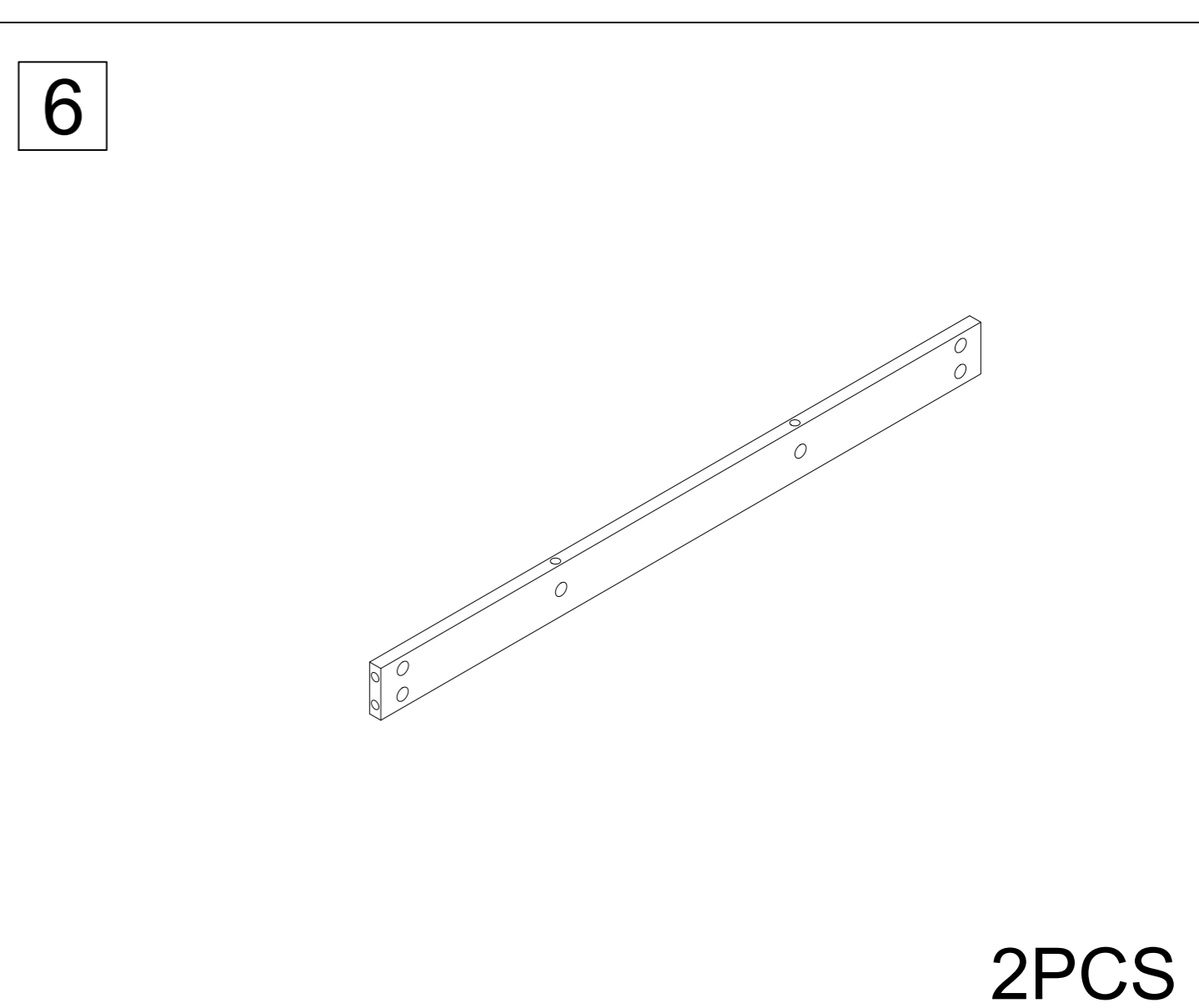
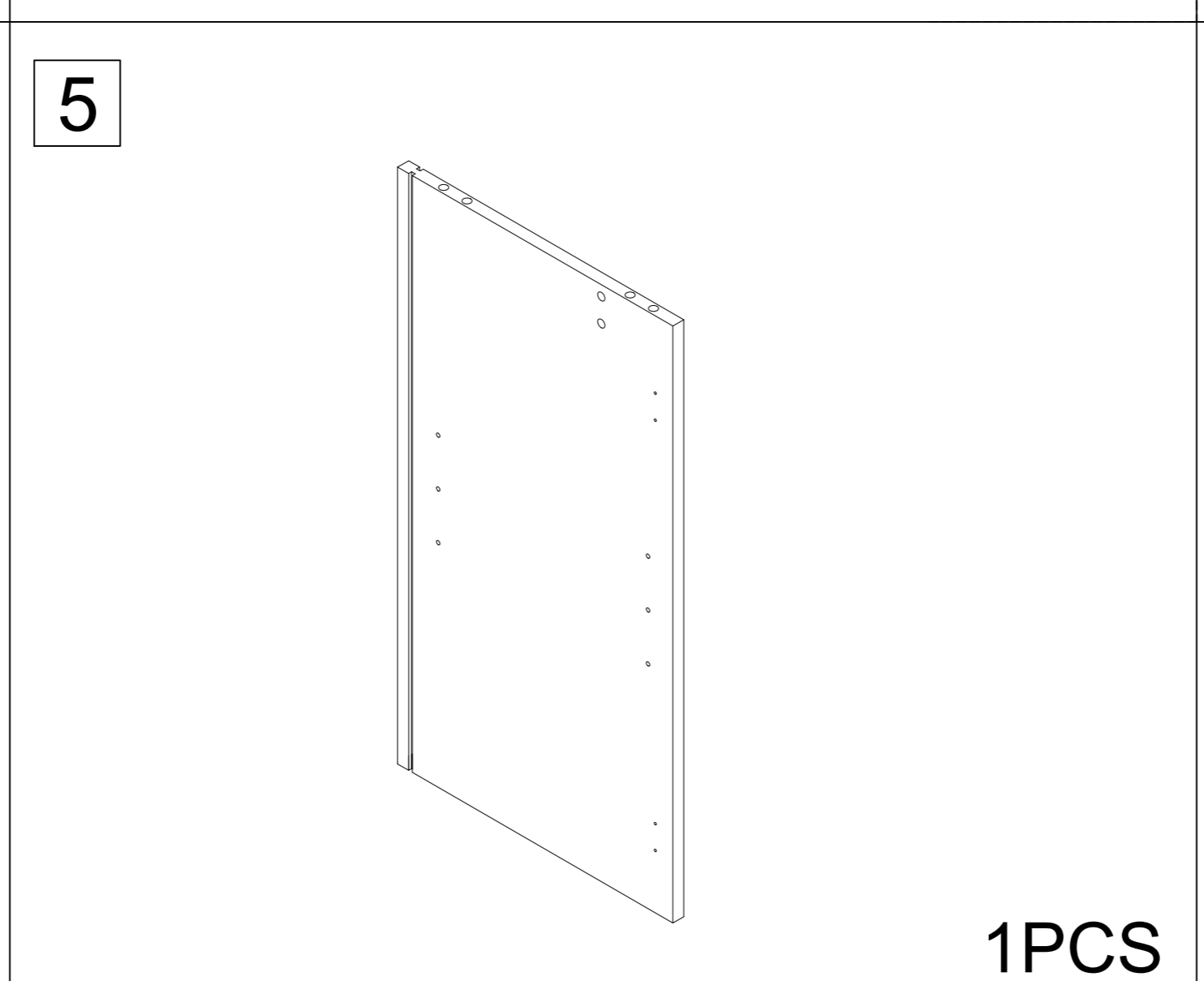
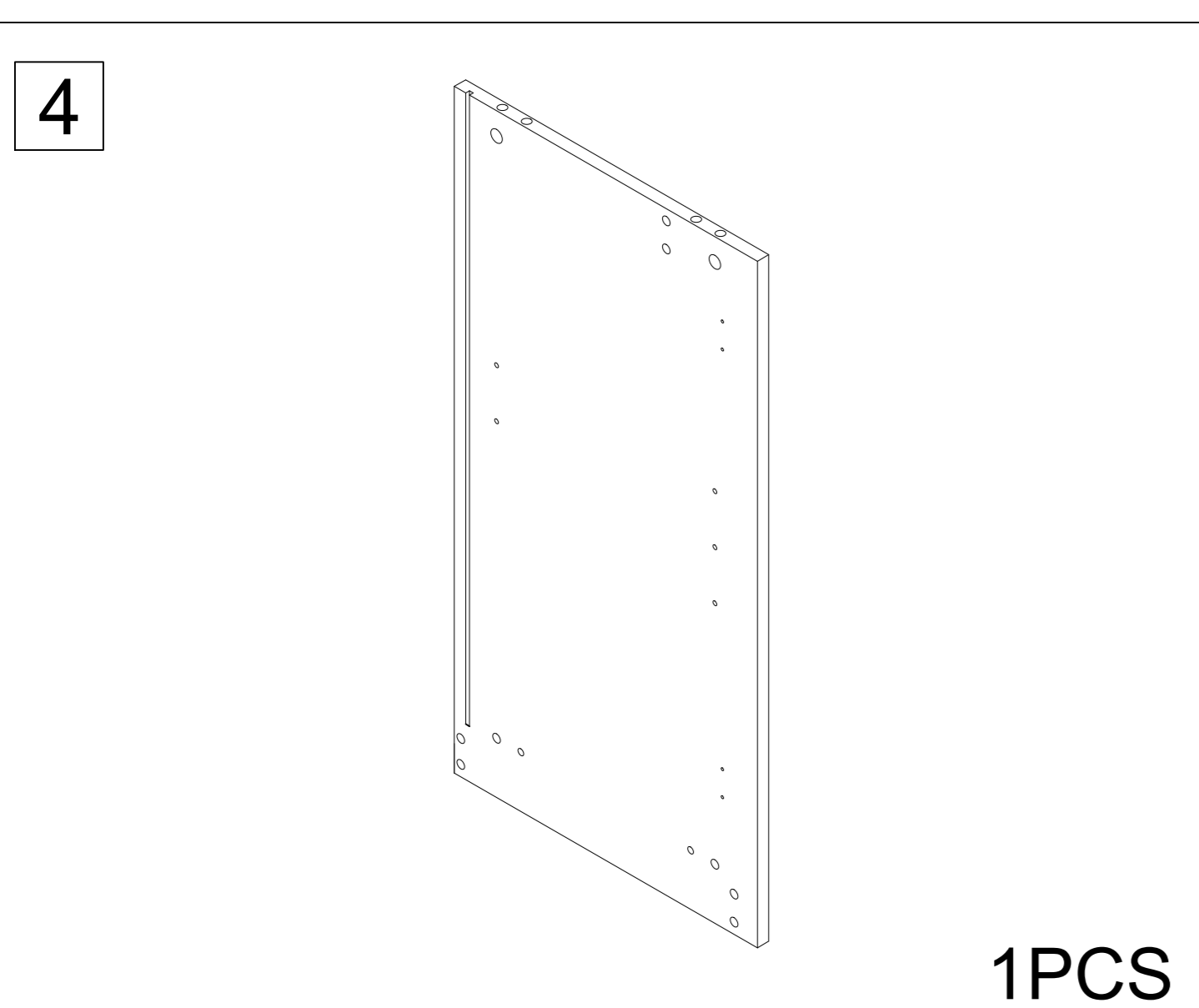
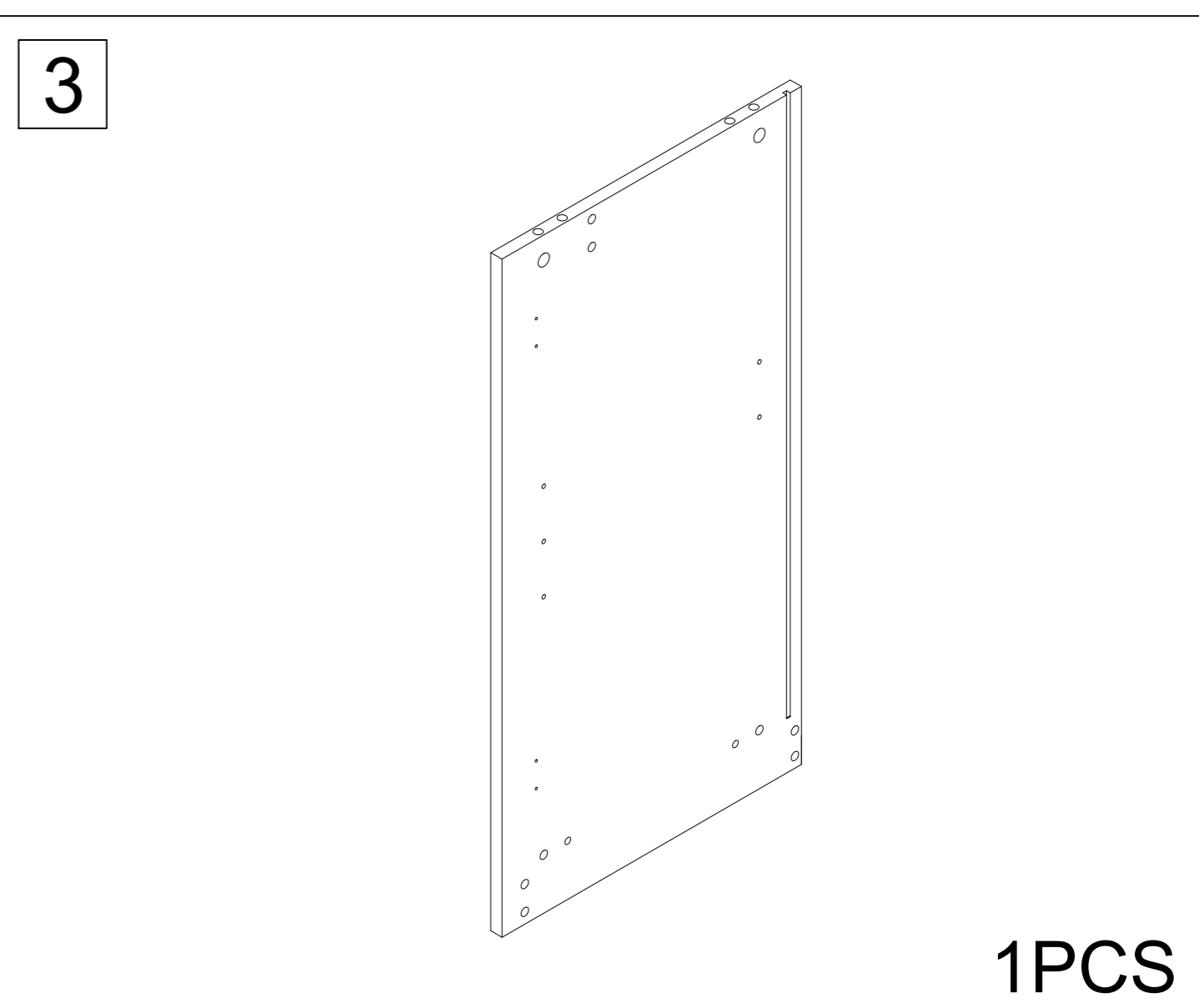
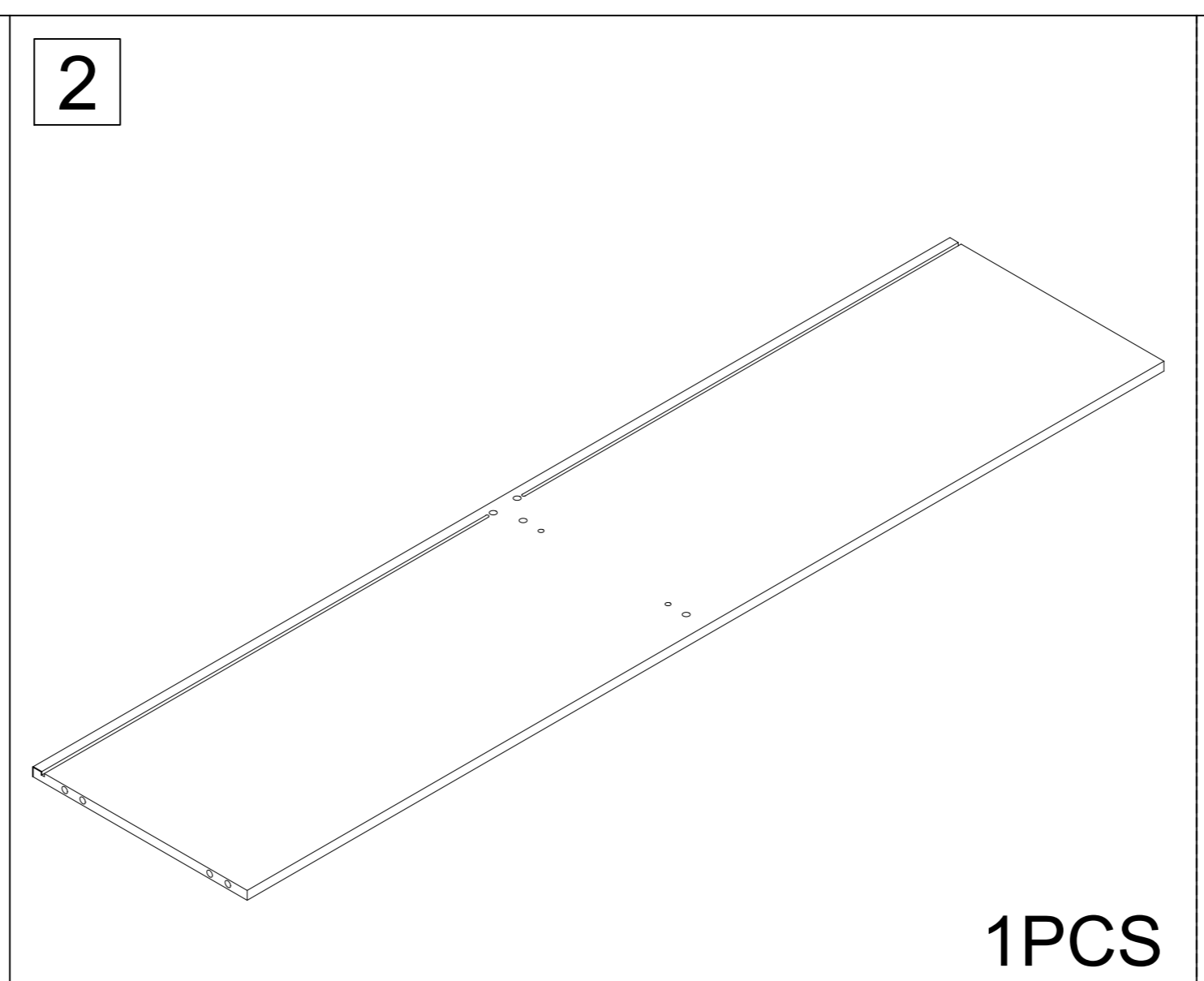
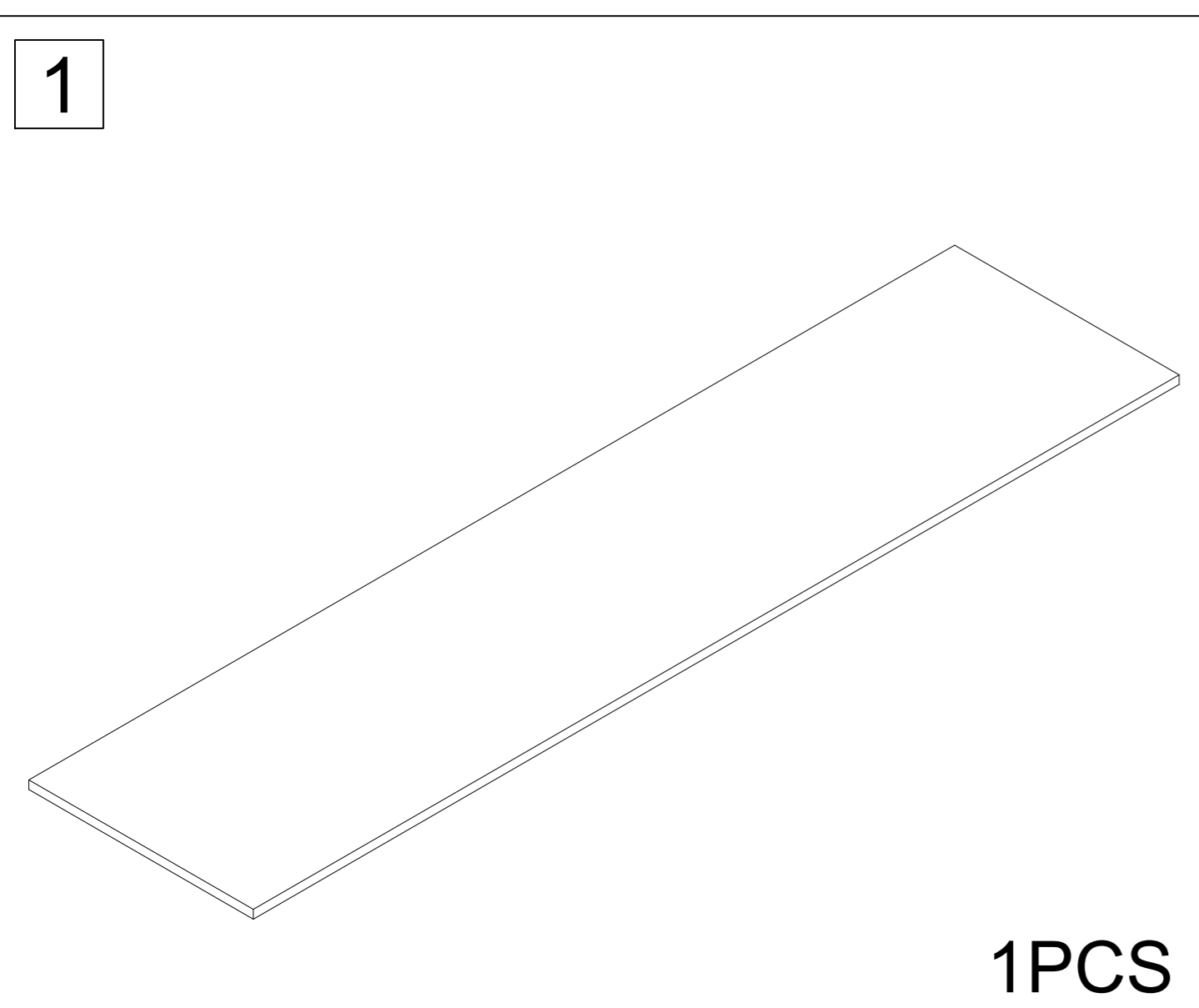


Thank you for choosing our products! To ensure a smooth and safe installation, please carefully read this manual and follow the instructions. For the video installation instructions, please refer to the product page.

- Before installation, please check the product list to make sure you have received all parts.
- During the installation, please operate carefully to avoid injury. Pay special attention to safety when carrying heavy objects or operating sharp tools.
- Please follow the steps in order. Do not skip any steps.
- If you encounter any problems during the installation process, please stop the operation immediately and contact our customer service team for help.
- Periodically check to ensure that all connectors (bolts, screws, etc.) are tight.

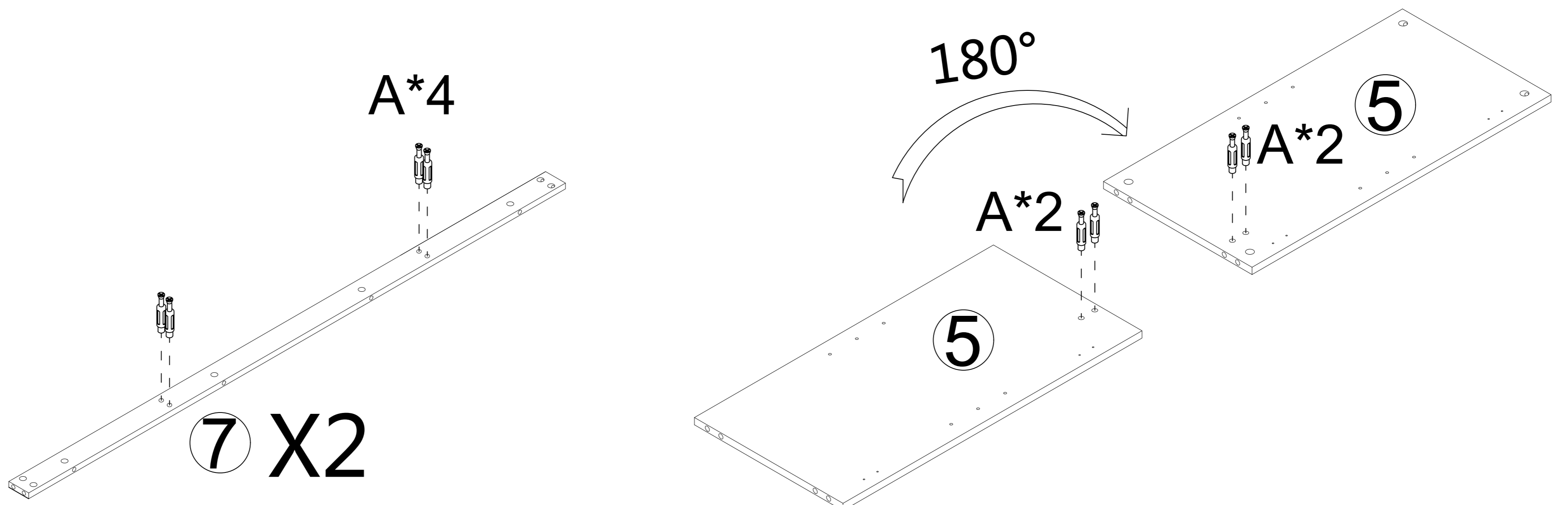
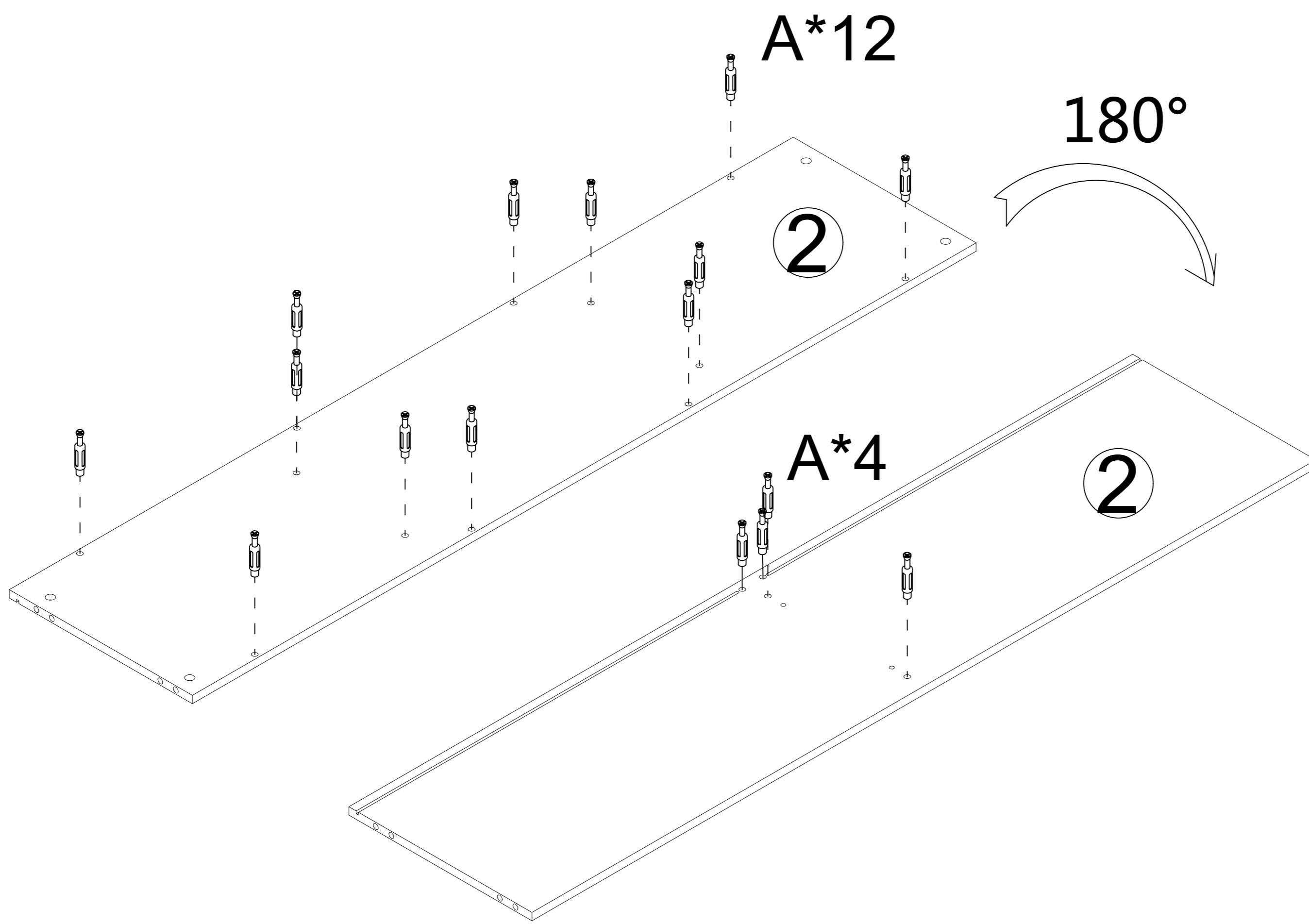
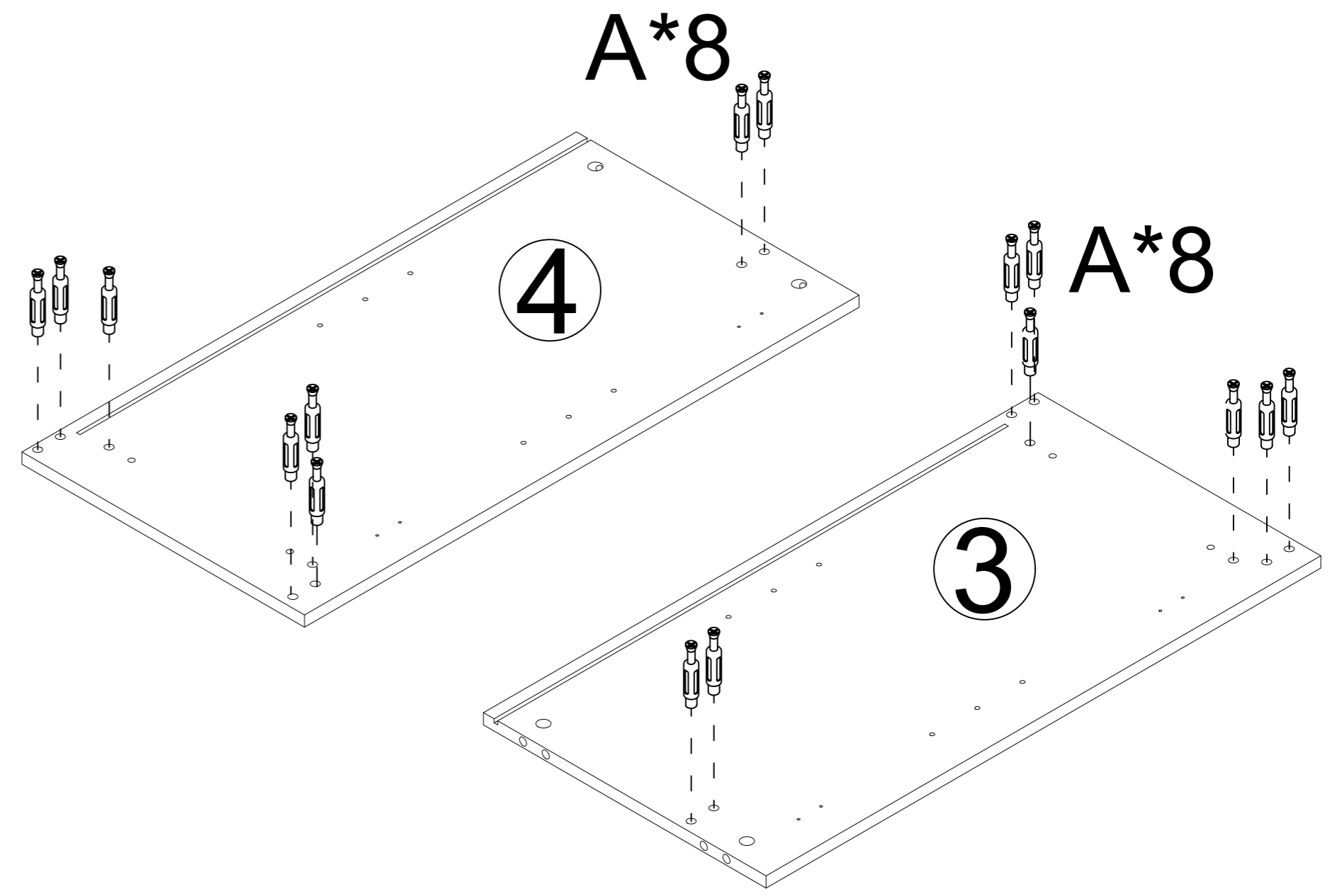
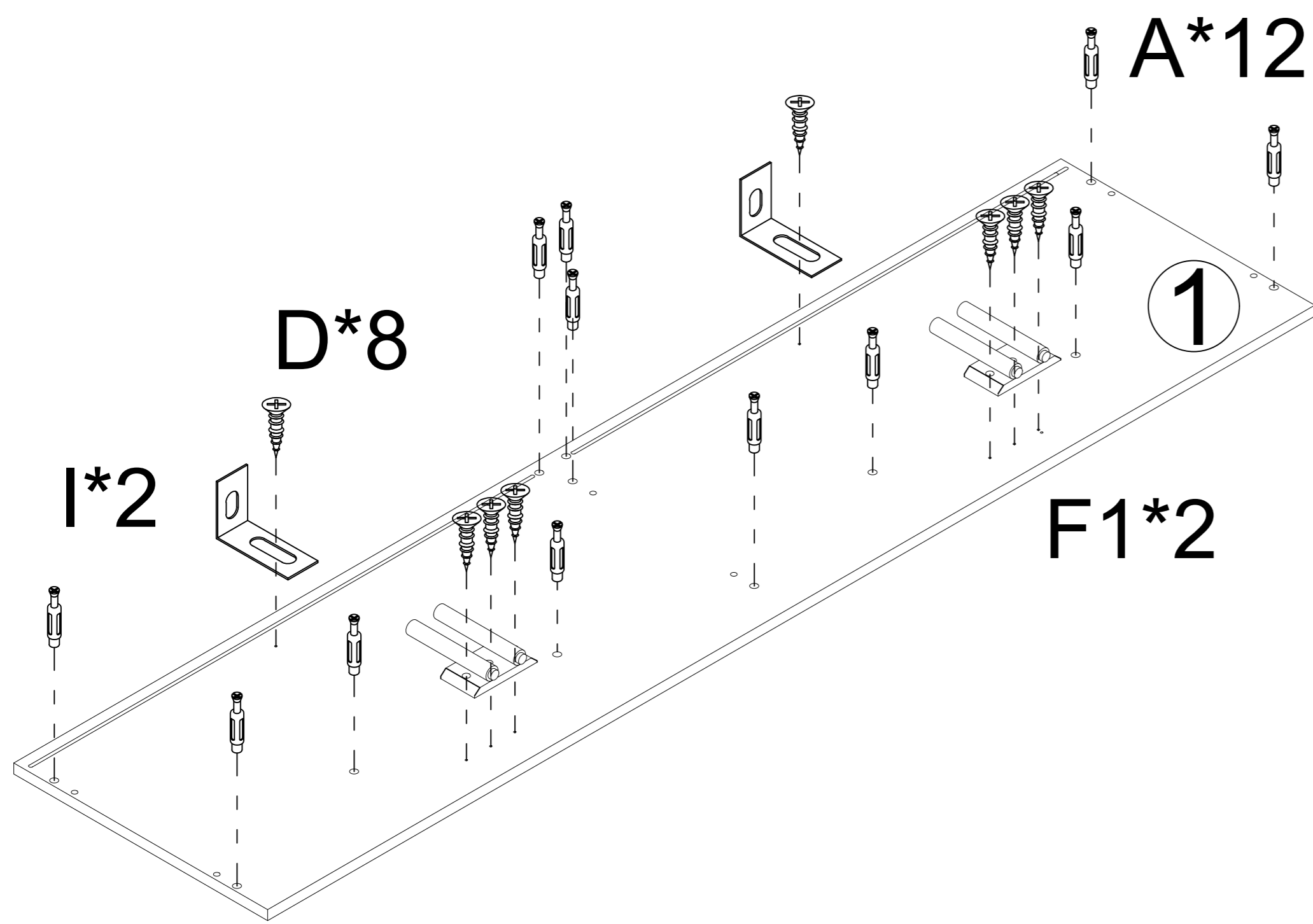
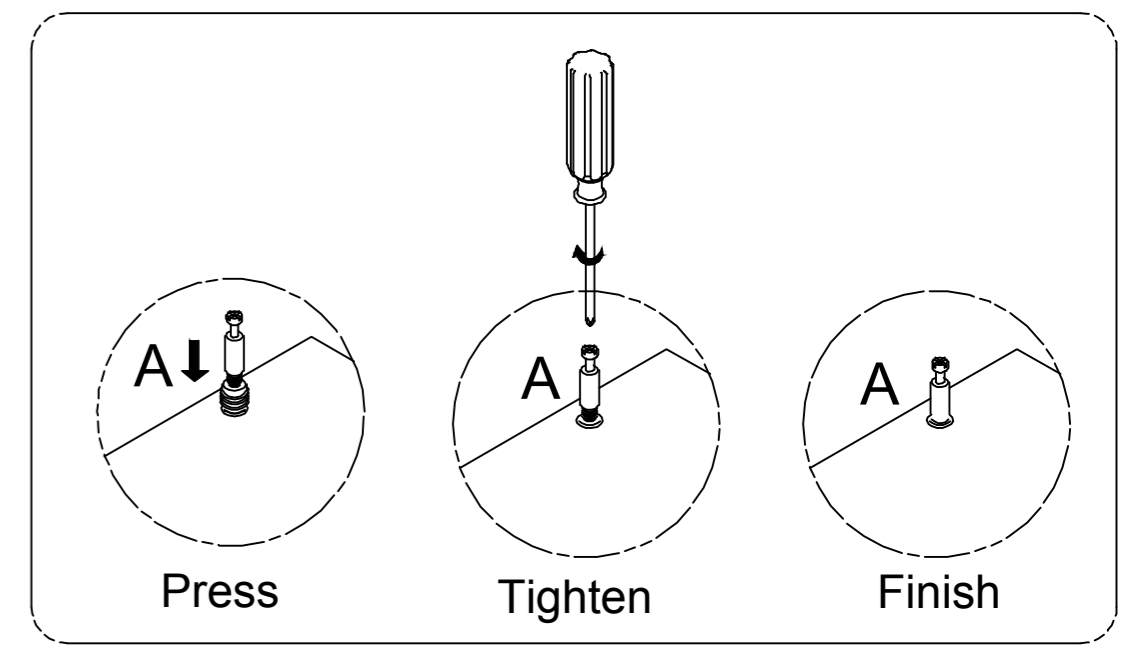
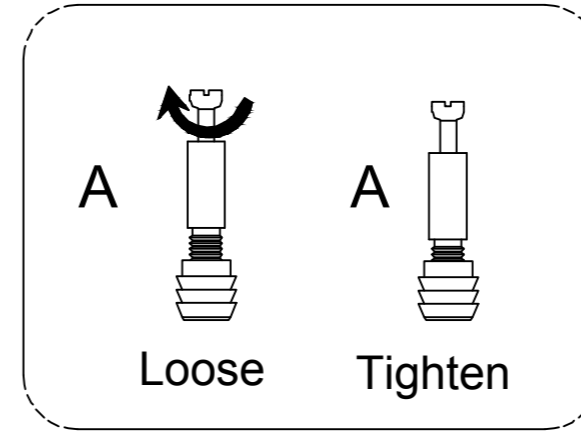
A 56+3  Ø6*35mm	B 56+3  Ø15*11.5mm	C 12+1  Ø8*30mm	D 72+3  M3.5*14mm	E 2  Ø6*38mm	F 2  F1 F2	G 4 
H 4 	I 2 	J 2  	K 16 	L 8  	M 2  708mm	N 8+1 

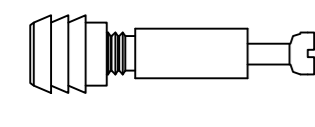
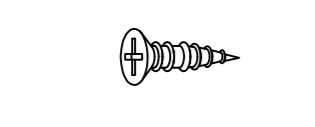
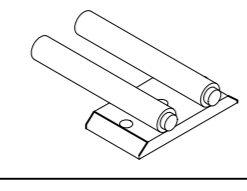
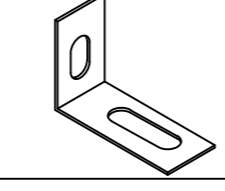




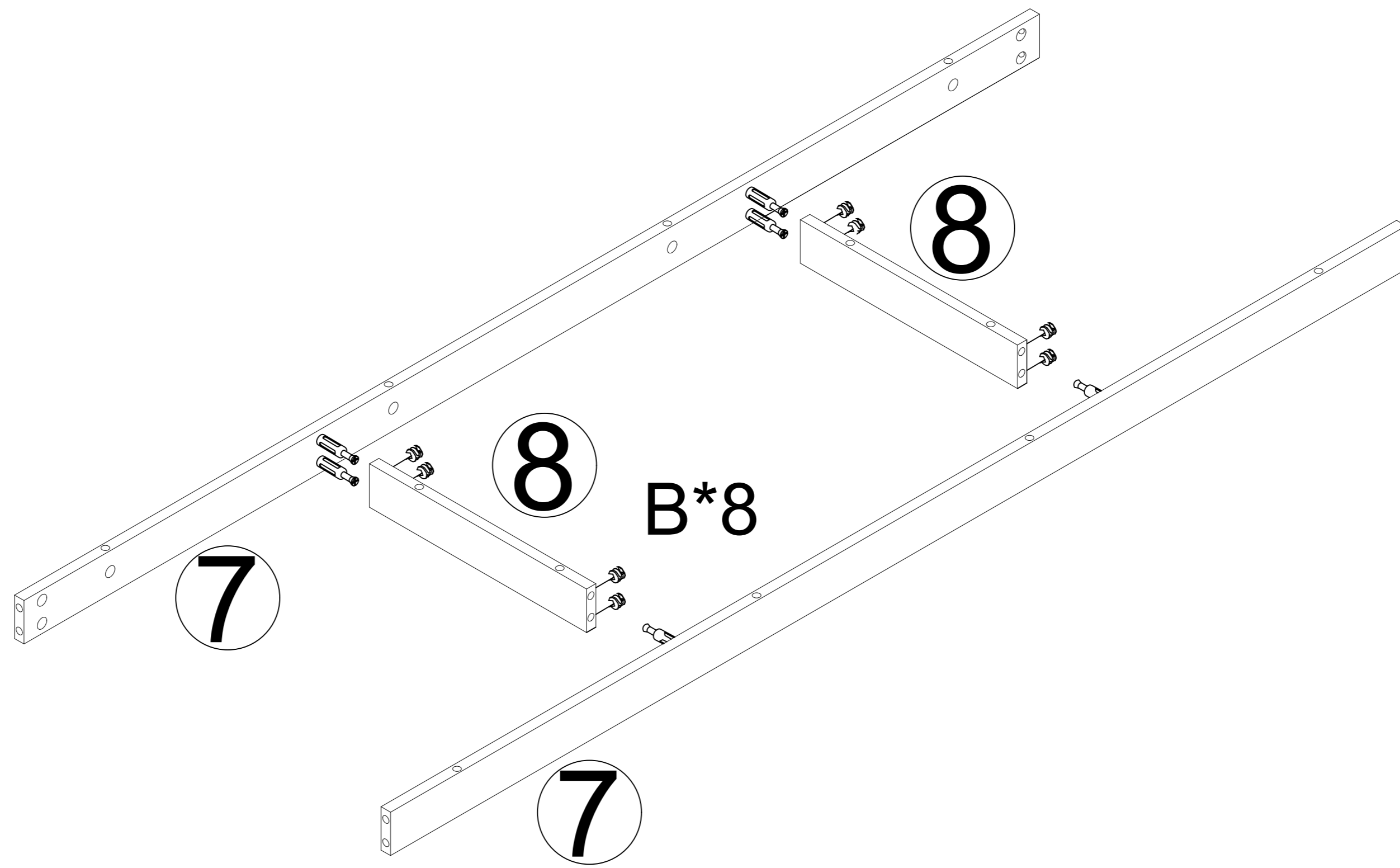
STEP 1


Make sure the screws are loose before pressing



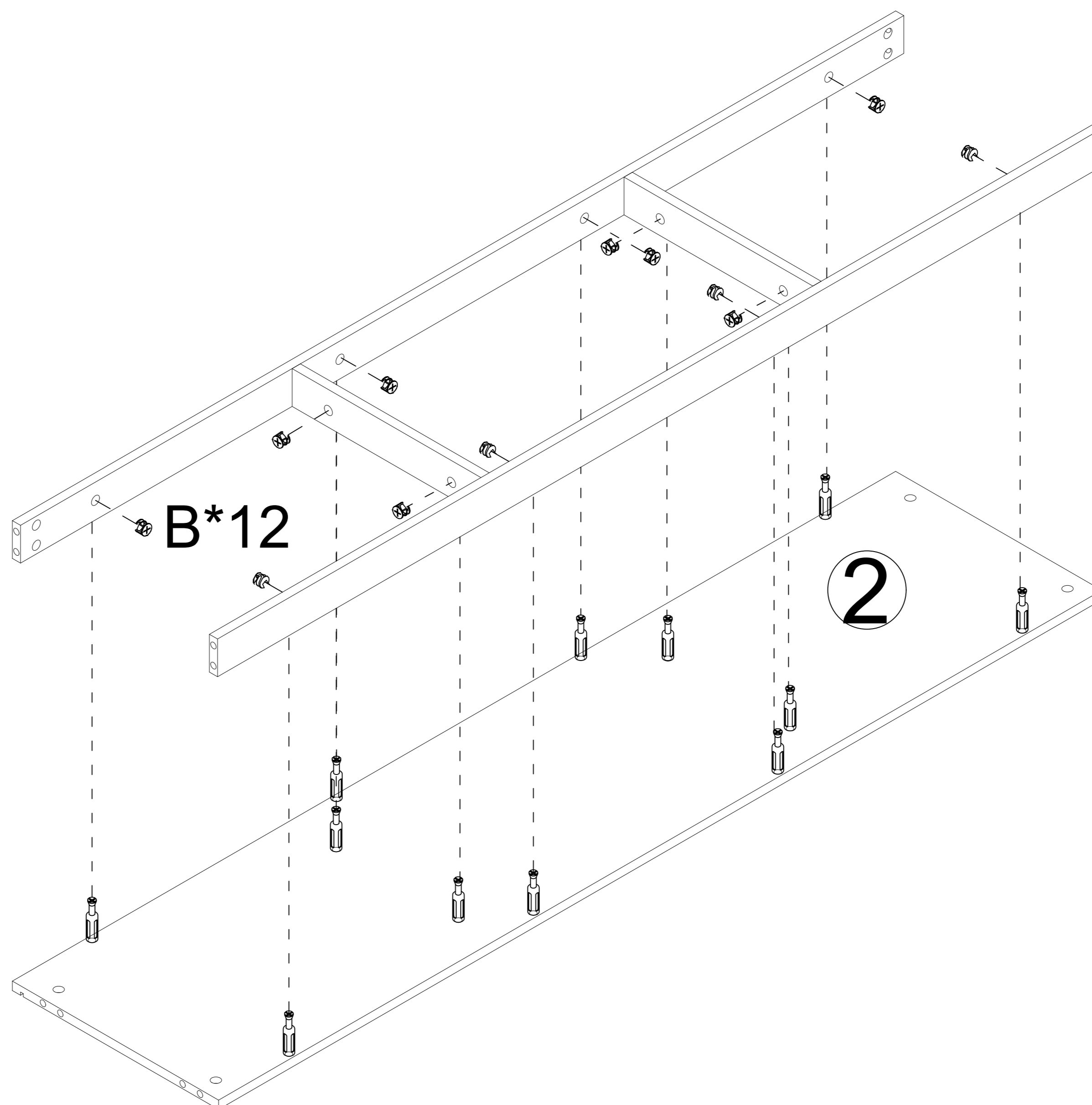
A 56PCS	D 8PCS	F1 2PCS	I 2PCS
			
Ø6*35mm	M3.5*14mm		


STEP 2



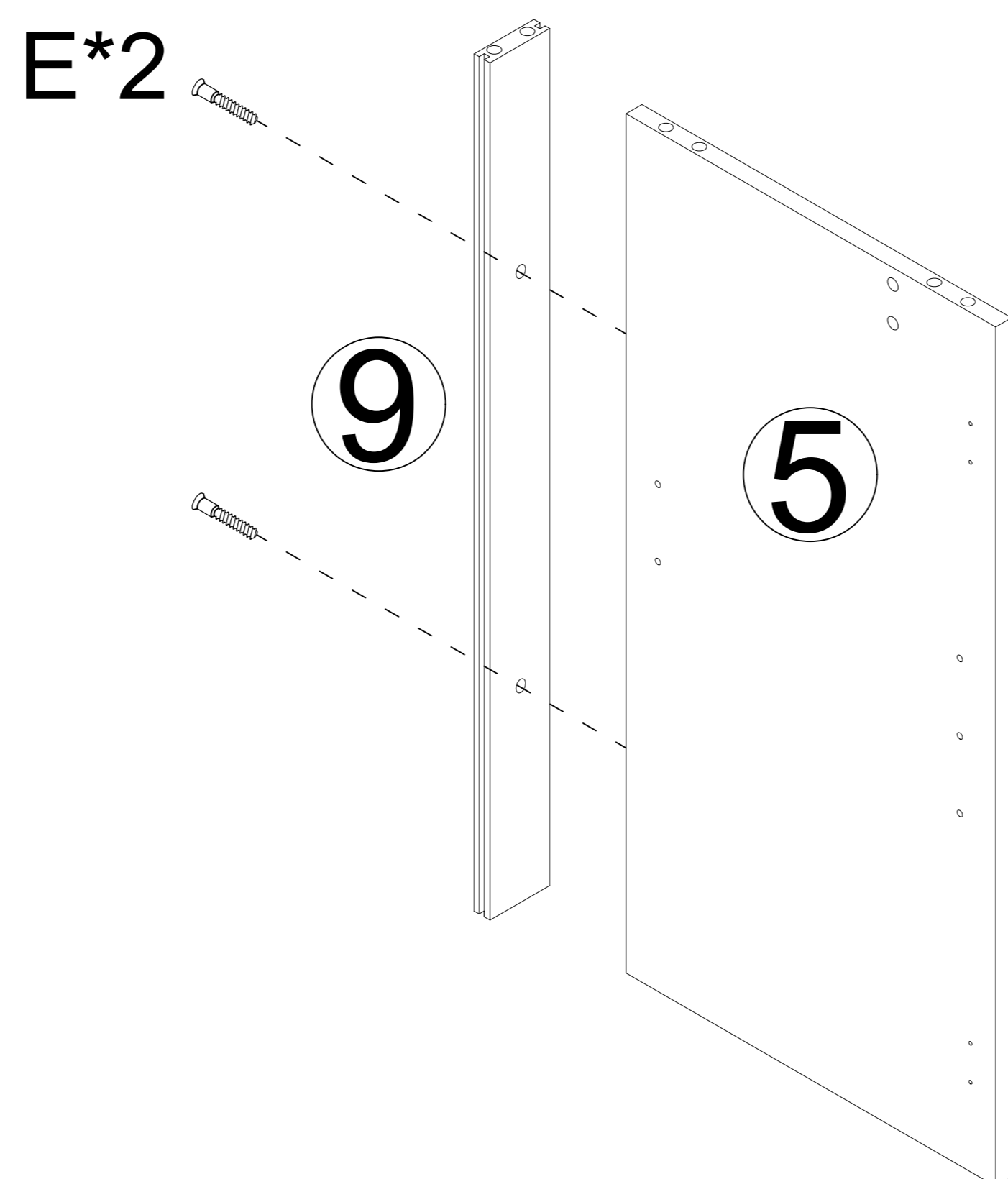
B	8PCS
	
Ø 15*11.5mm	


STEP 3



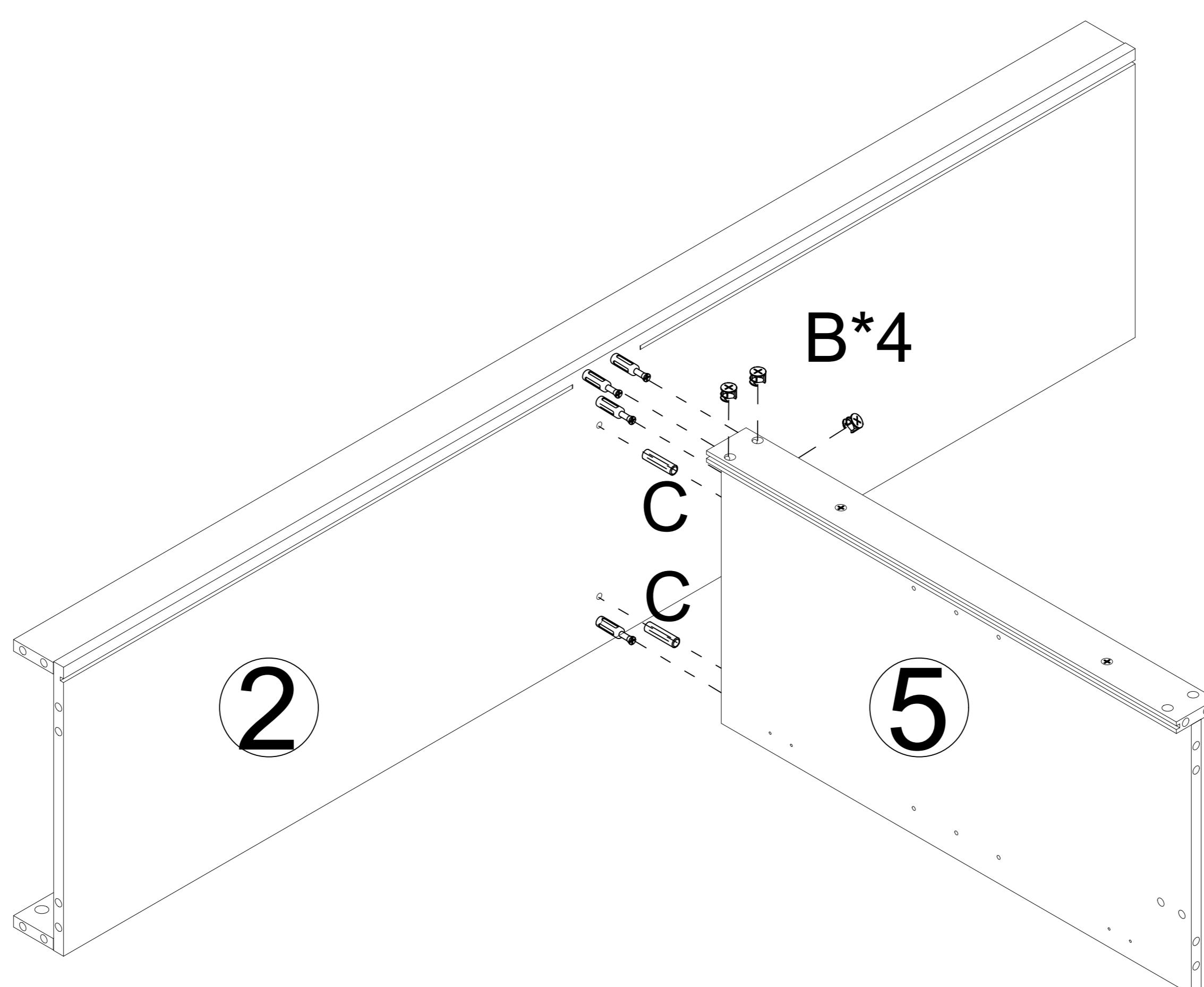
B	12PCS
	
Ø 15*11.5mm	


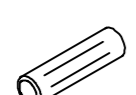
STEP 4



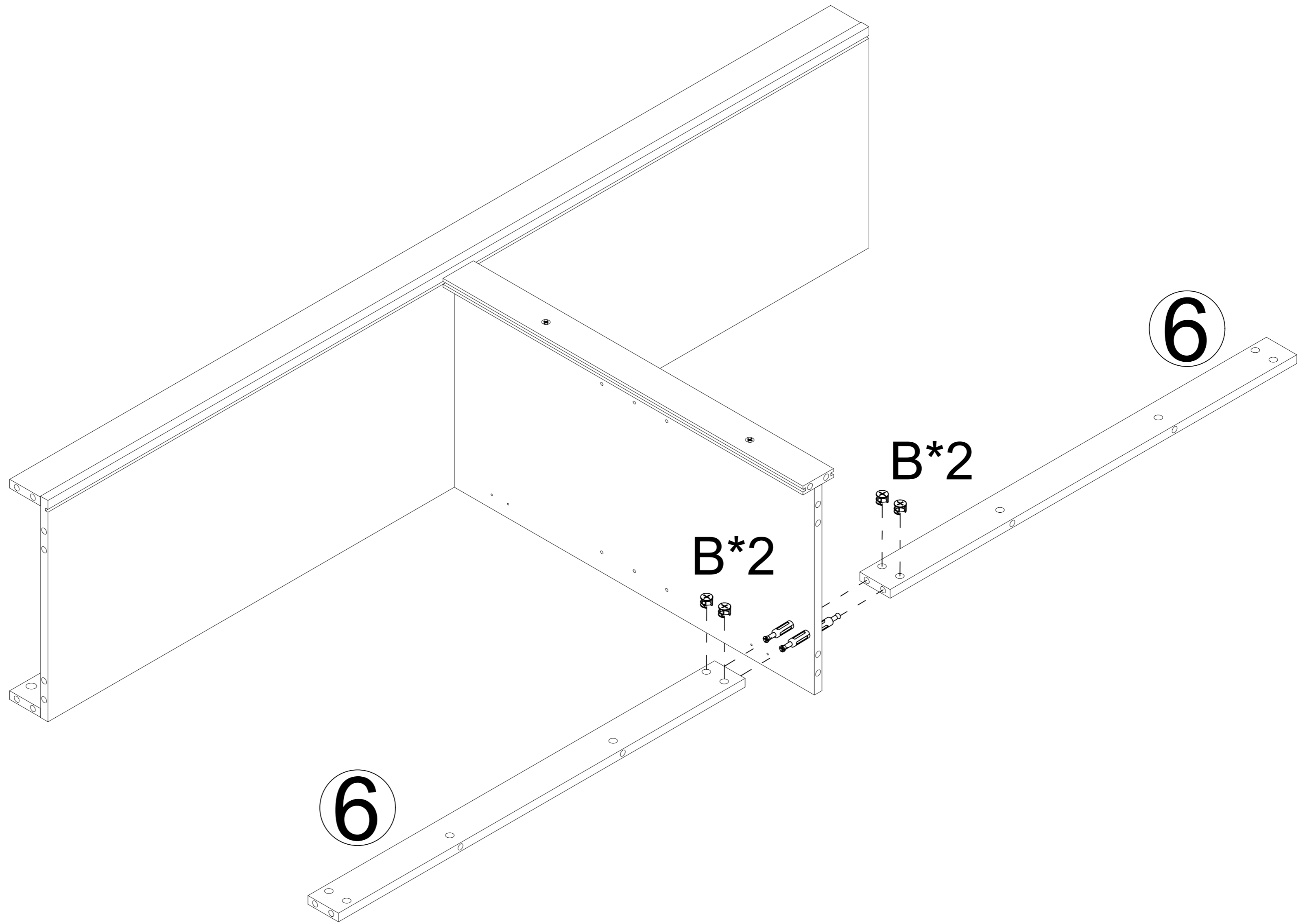
E	2PCS
	
Ø6*38mm	


STEP 5



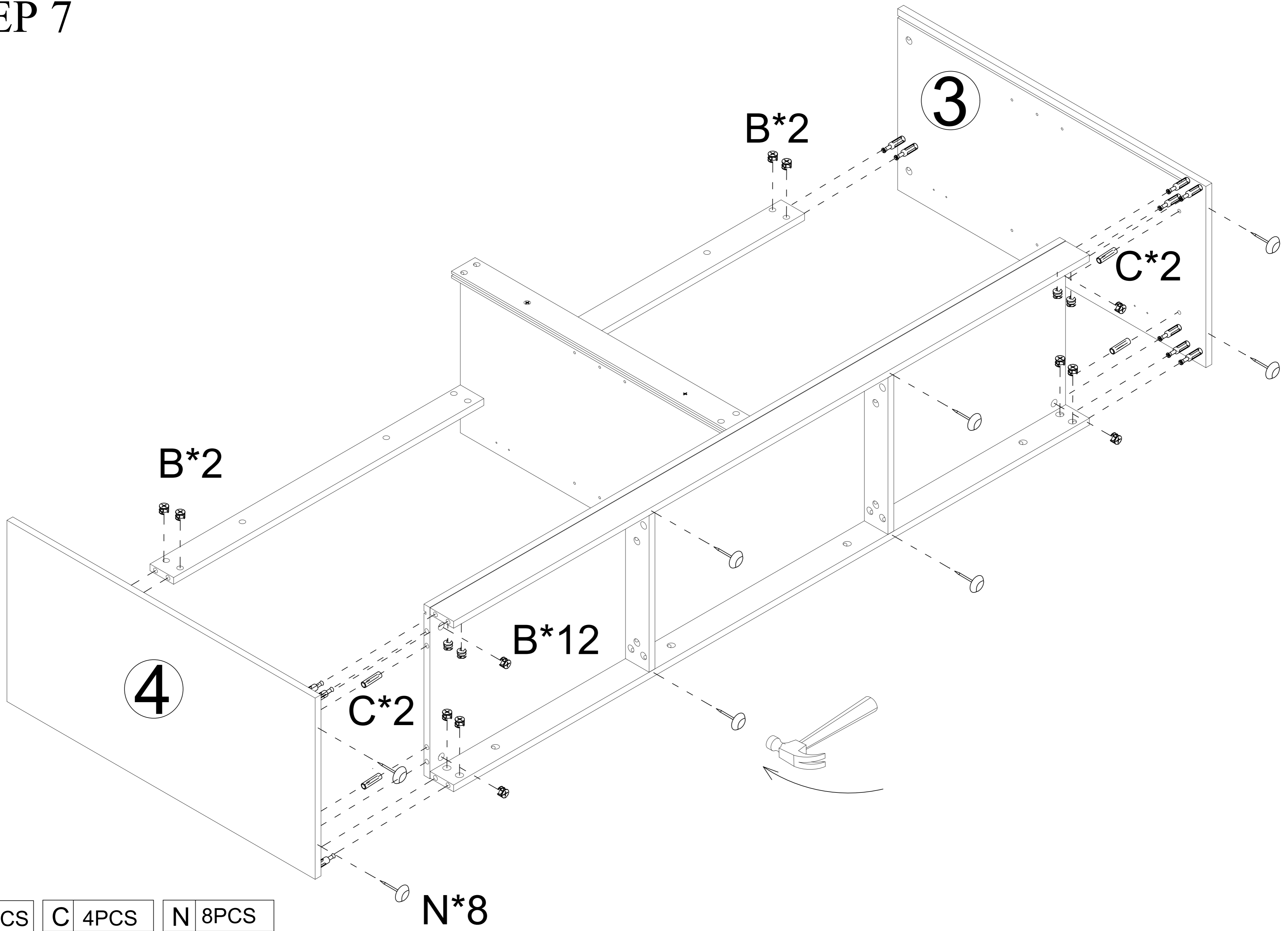
B	4PCS	C	2PCS
			
Ø 15*11.5mm		Ø8*30mm	


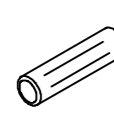
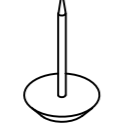
STEP 6



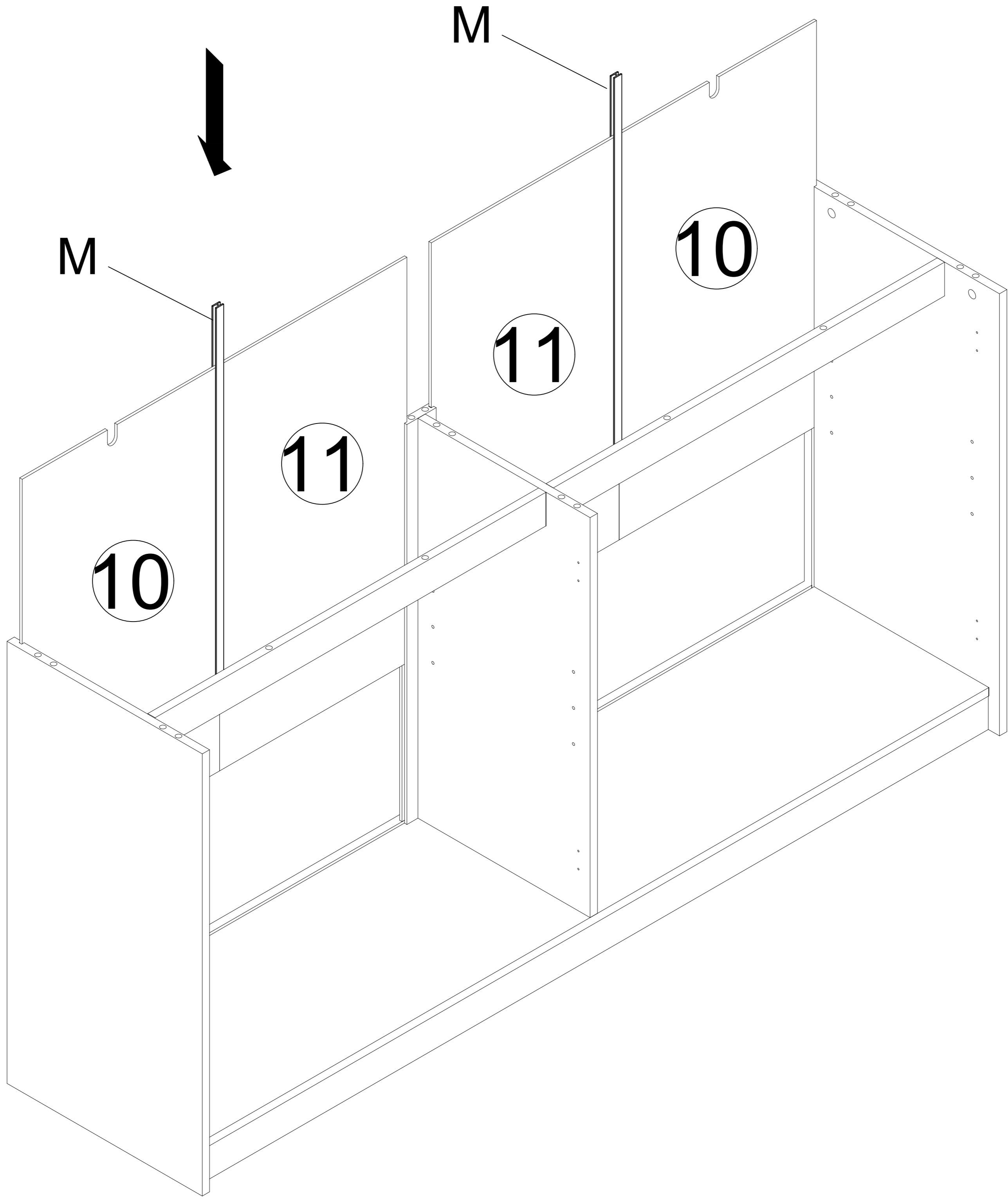
B	4PCS
	
Ø 15*11.5mm	

STEP 7

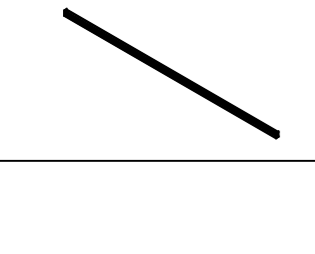


B	16PCS	C	4PCS	N	8PCS
					
Ø 15*11.5mm		Ø8*30mm			

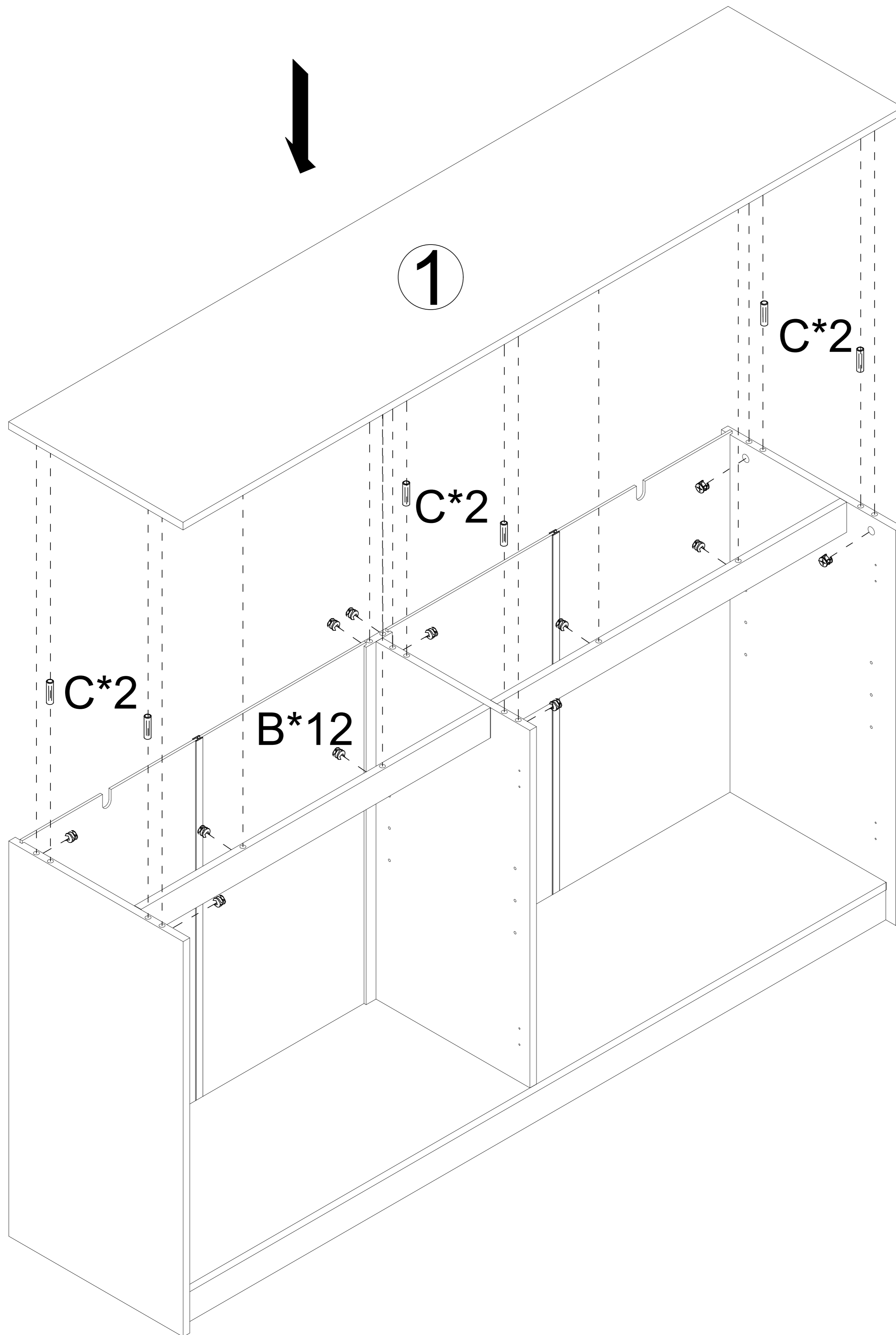
STEP 8


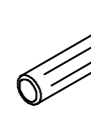


M 2PCS

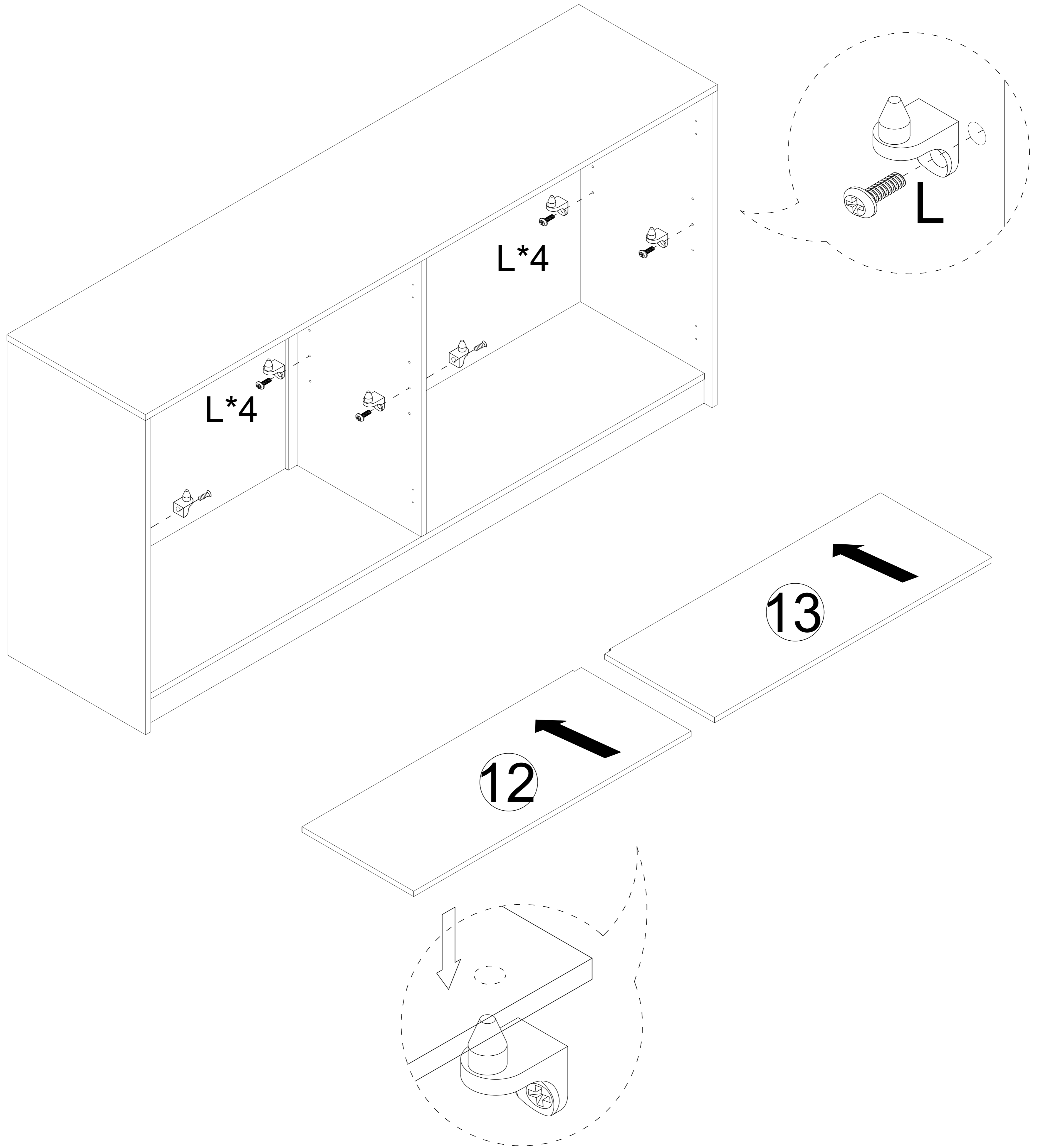


STEP 9

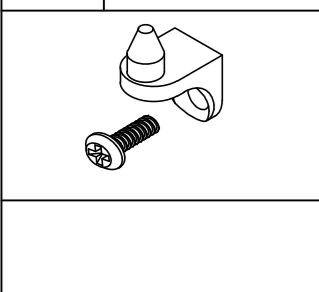


B	12PCS	C	6PCS
			
Ø 15*11.5mm		Ø8*30mm	

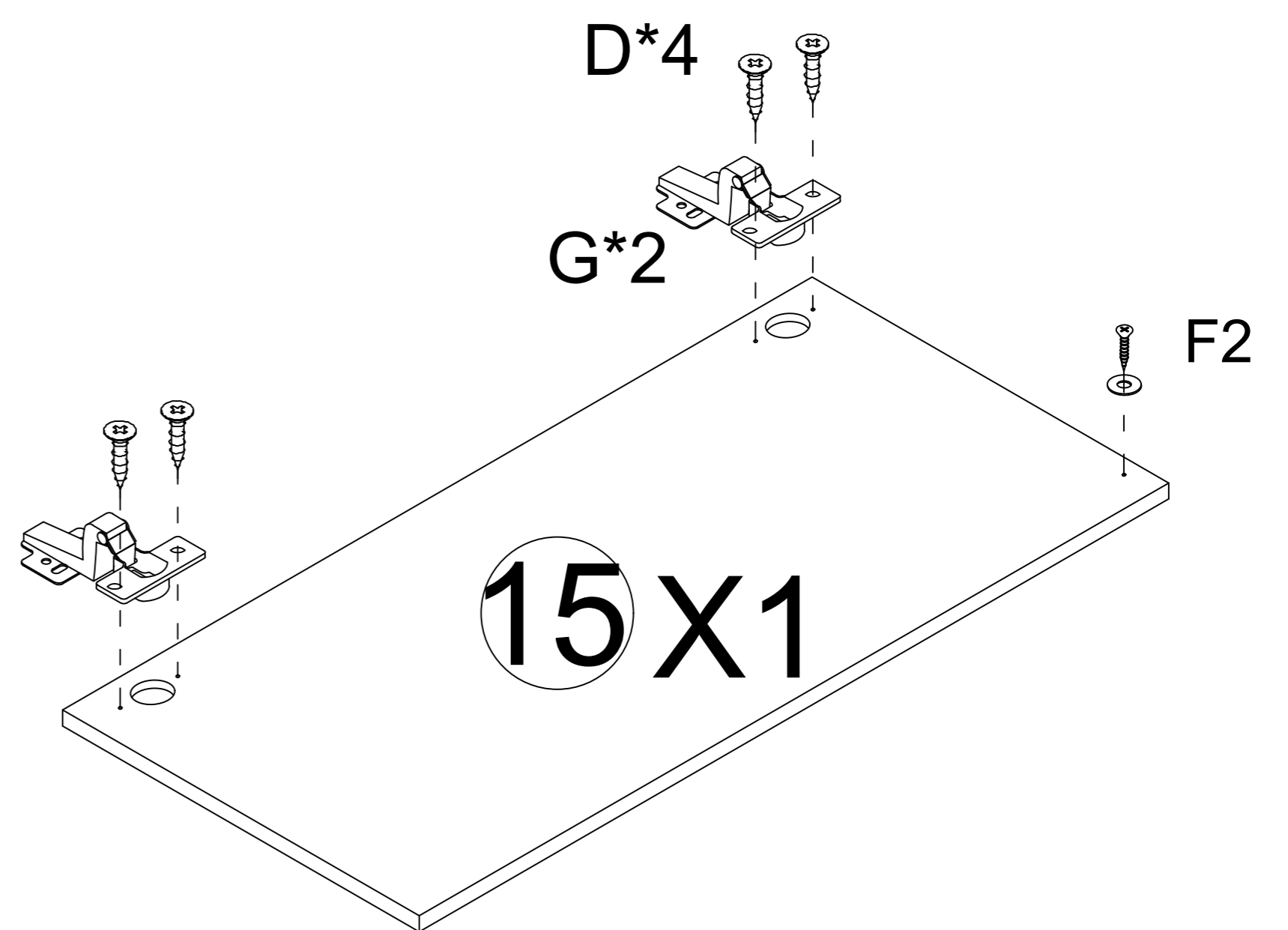
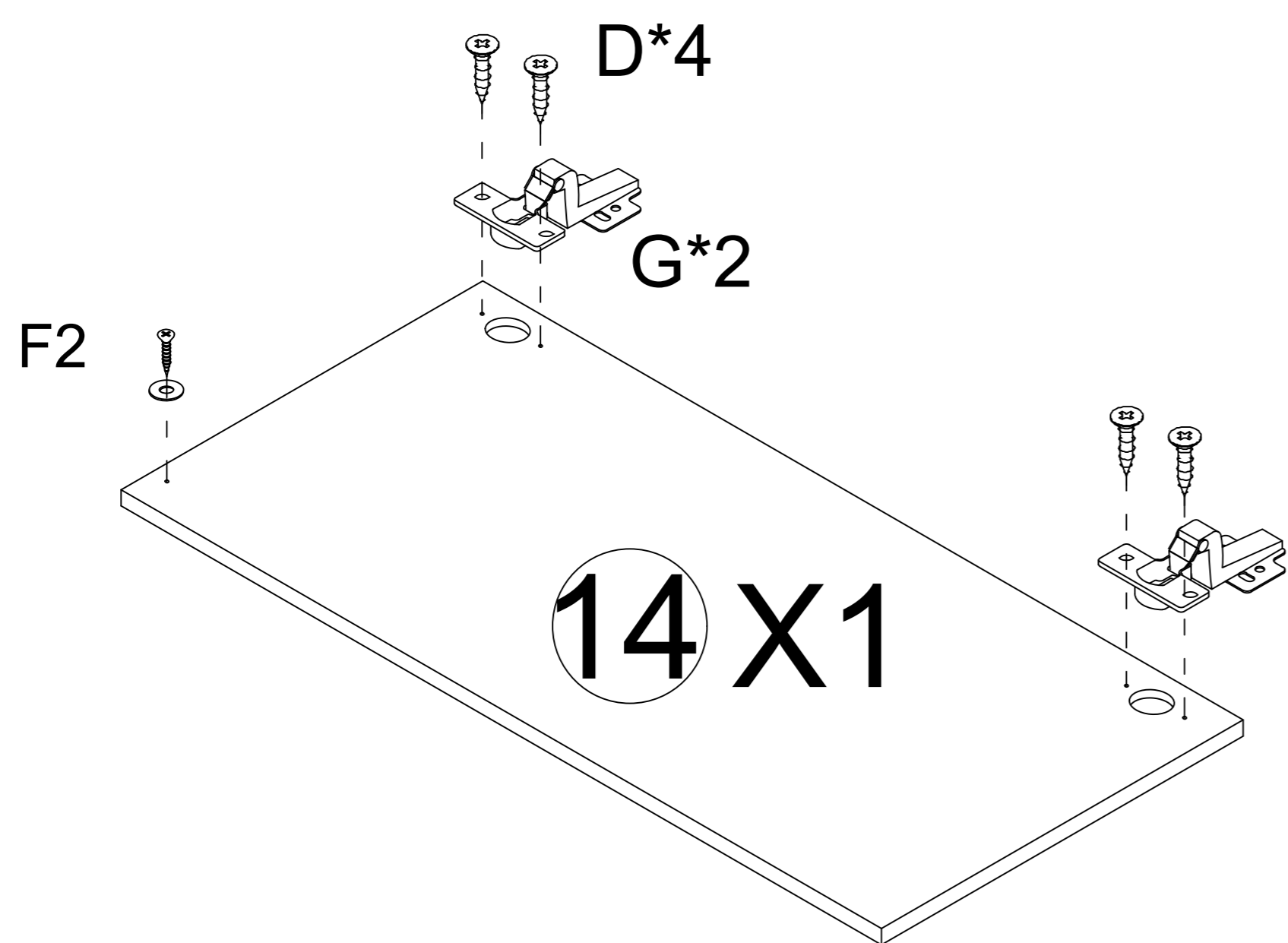
STEP 10

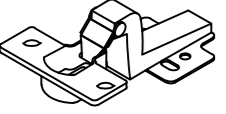
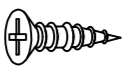



L 8PCS

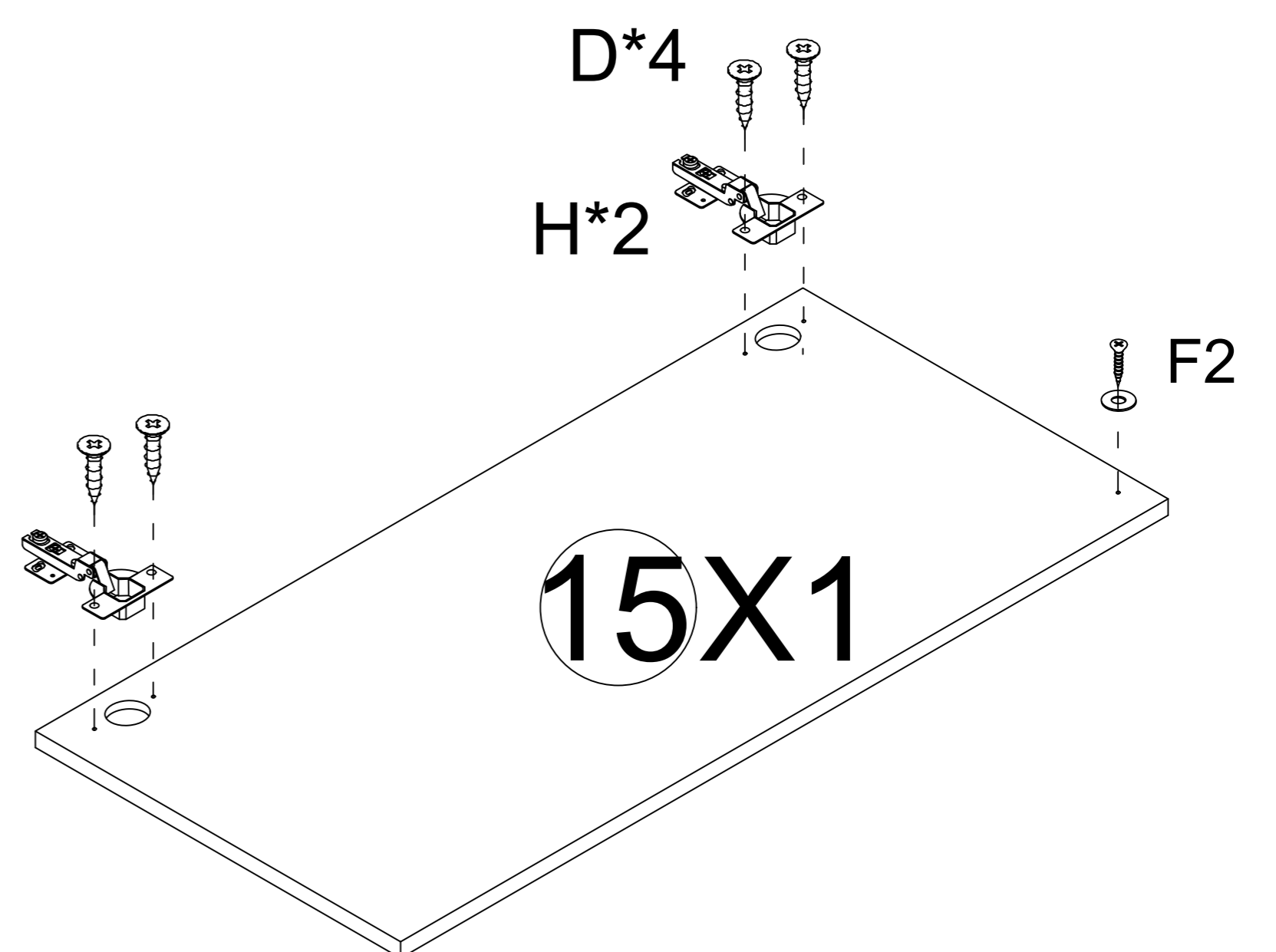
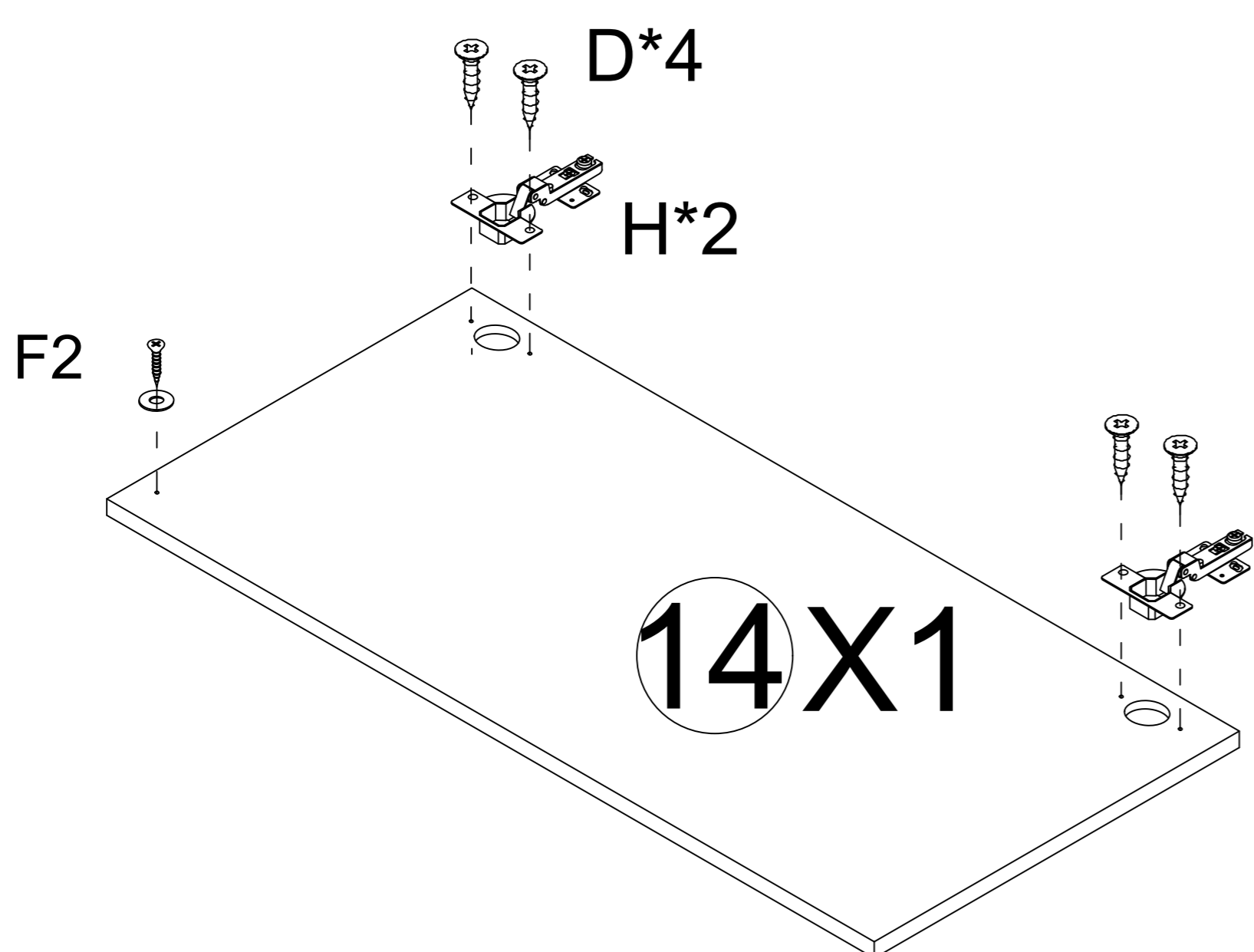


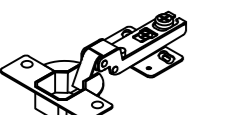


STEP 11



G 4PCS	D 8PCS	F2 2PCS
		
	M3.5*14mm	

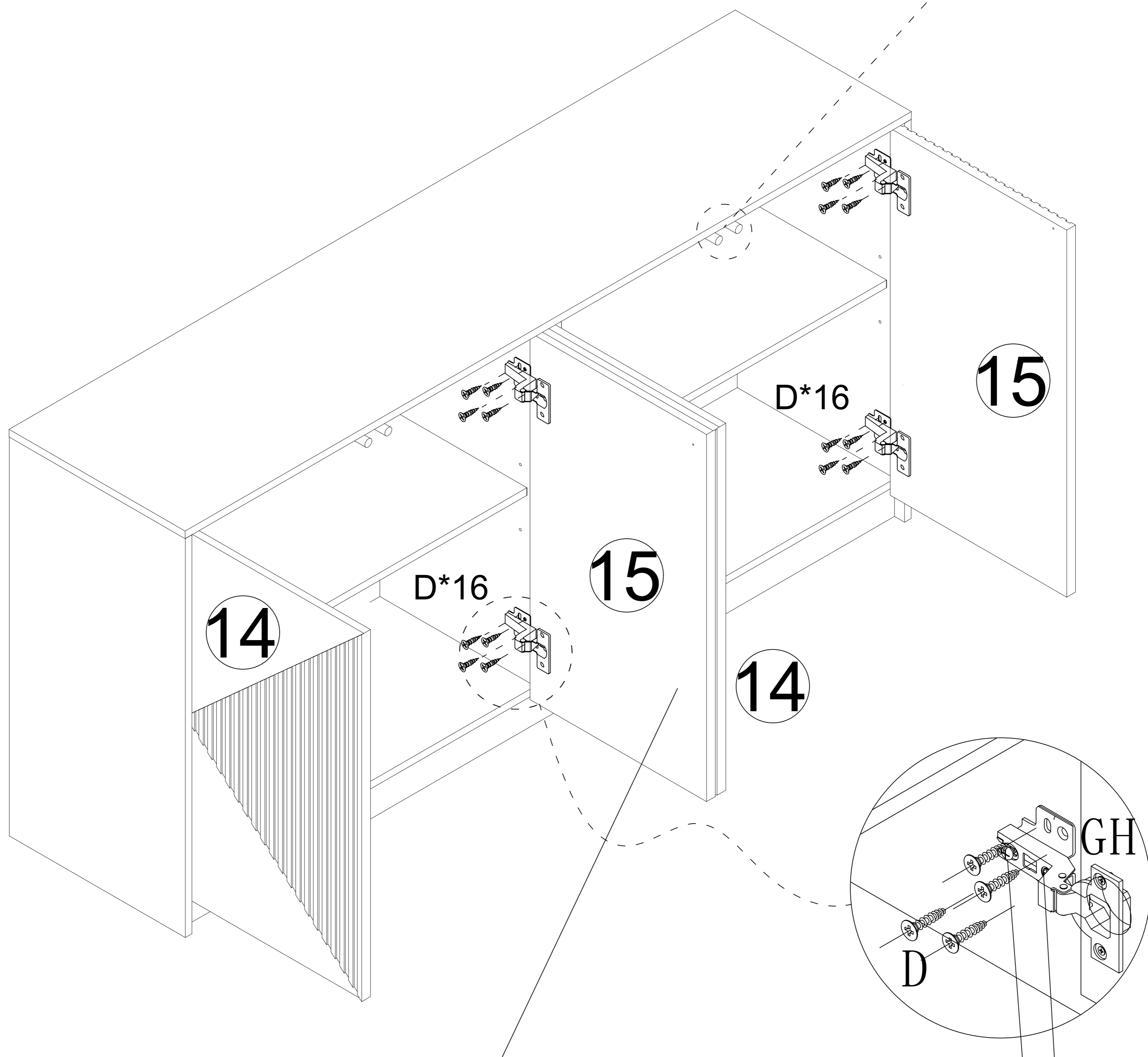
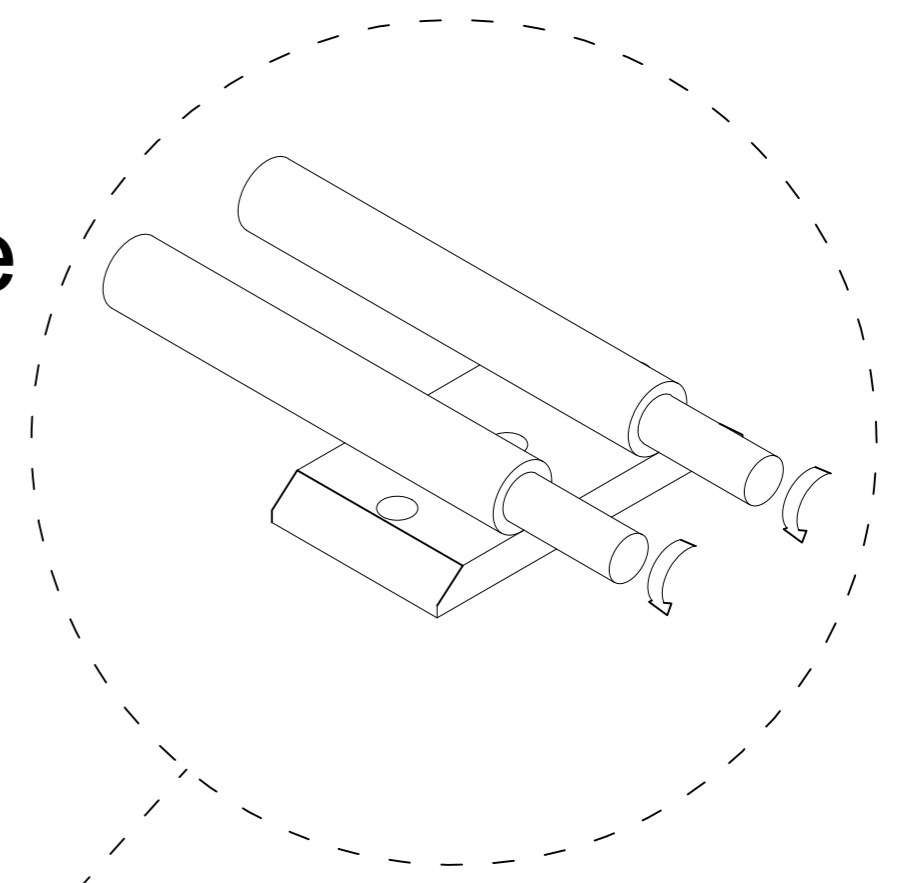
STEP 12



H 4PCS	D 8PCS	F2 2PCS
		
	M3.5*14mm	


STEP 13

The rotating part can adjust the length of this part and be adjusted to a suitable length for pressing the switch.



The two screws on the front and back can adjust the gap of the door panel.

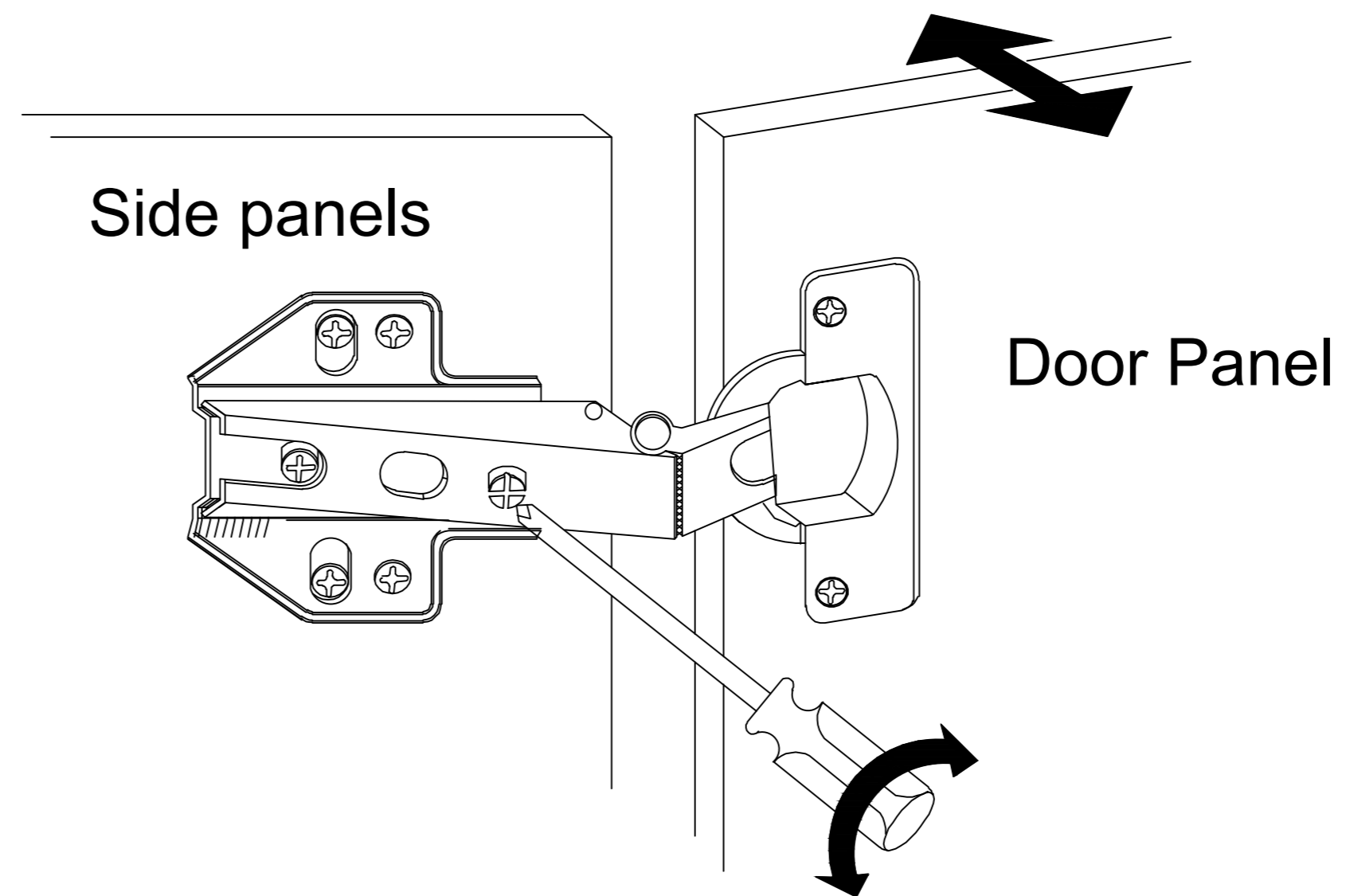
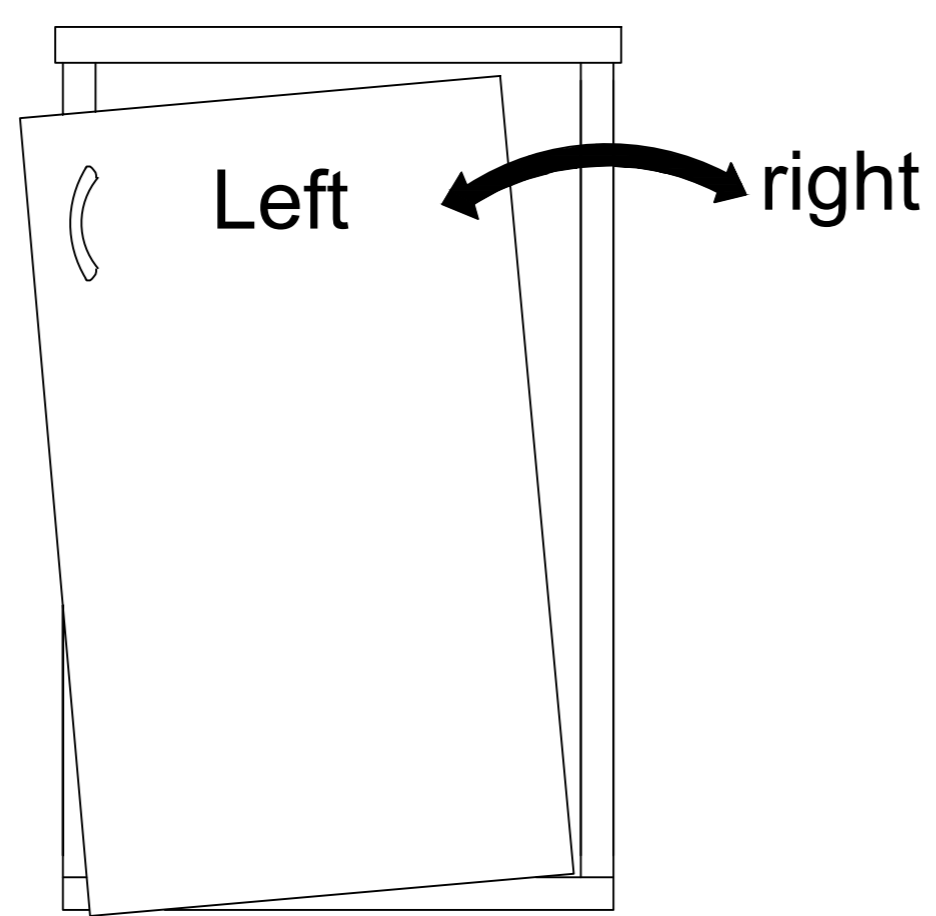
Please note that for the door panel numbered 14 and 15, the hinge "H" should be installed.

D	32PCS
	
M3.5*14mm	

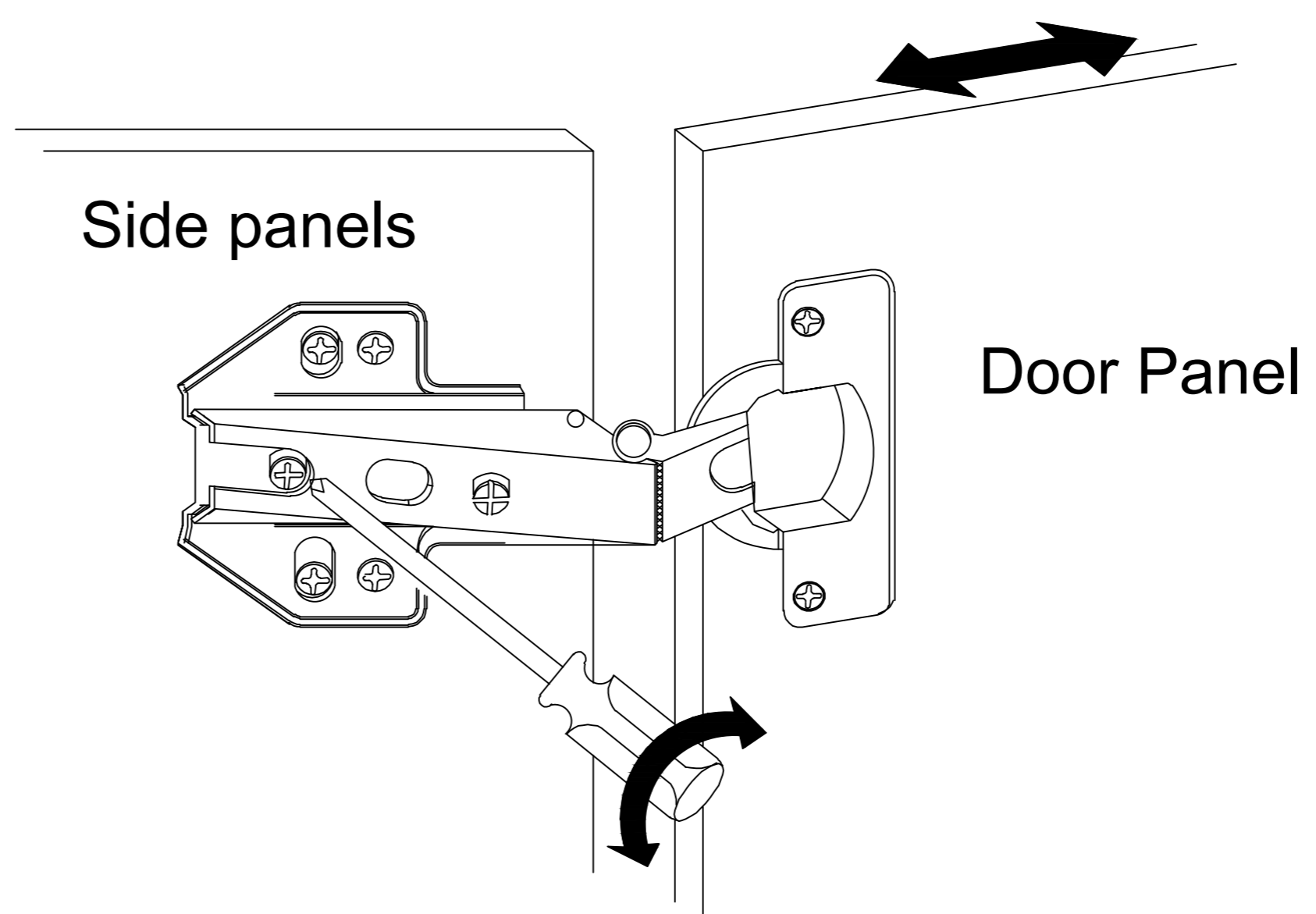
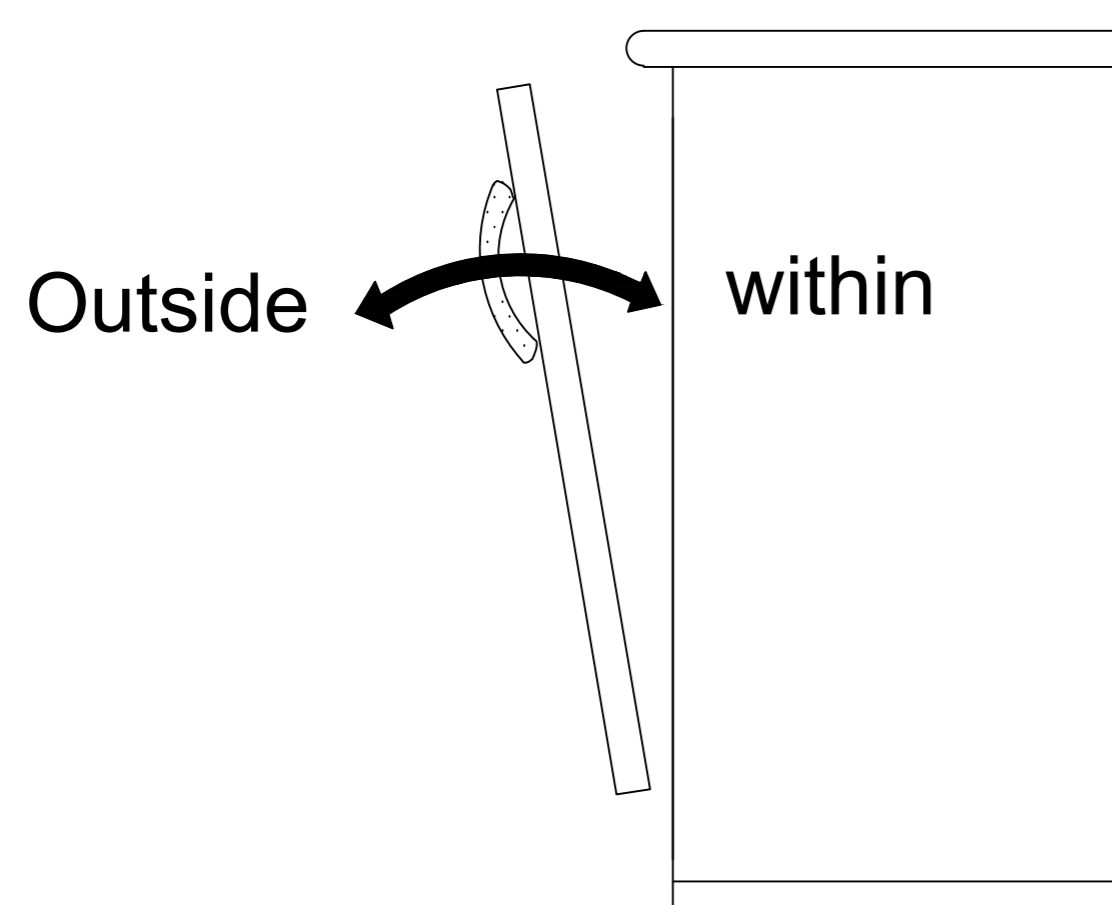
STEP 14

Door hinge adjustment method

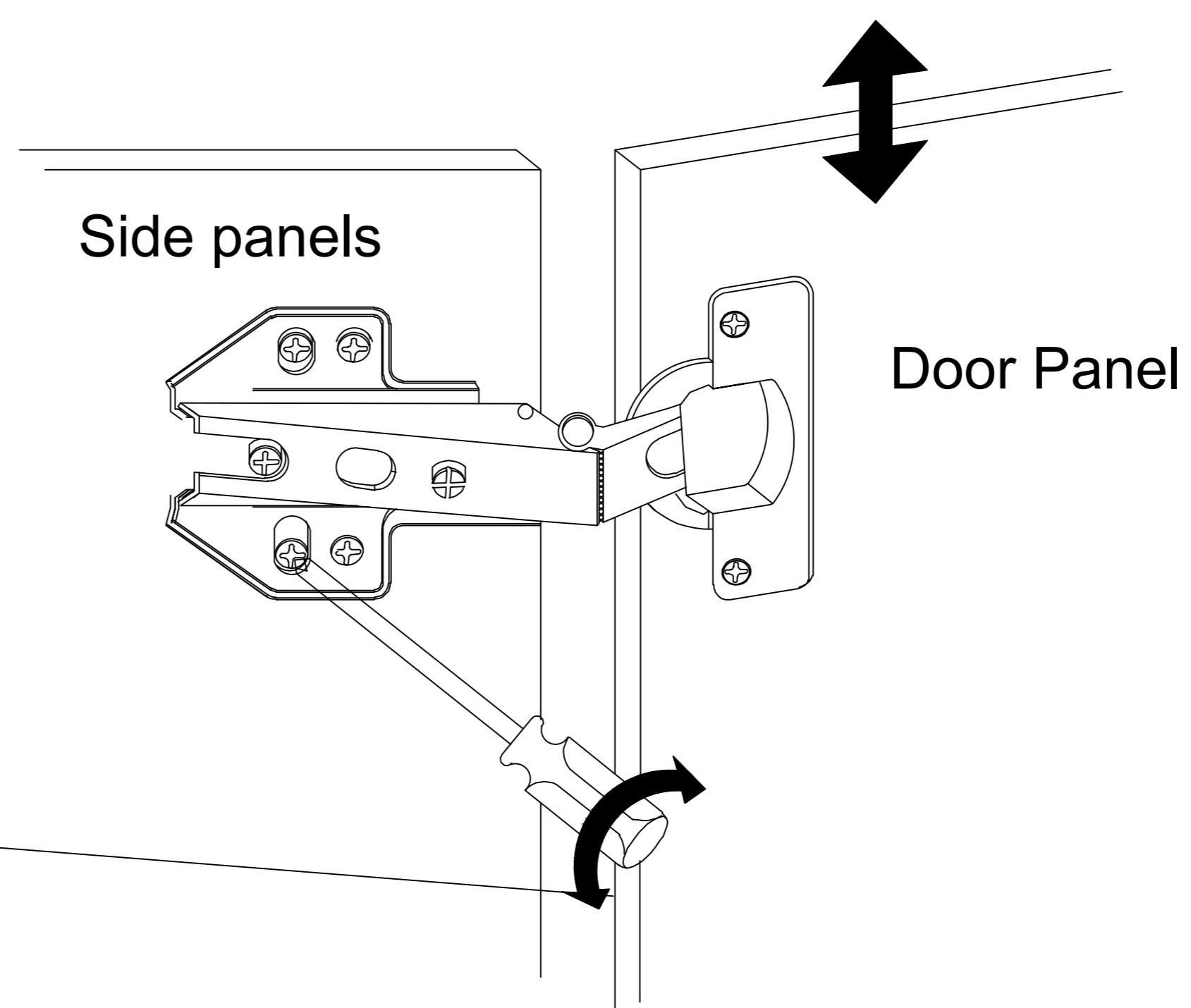
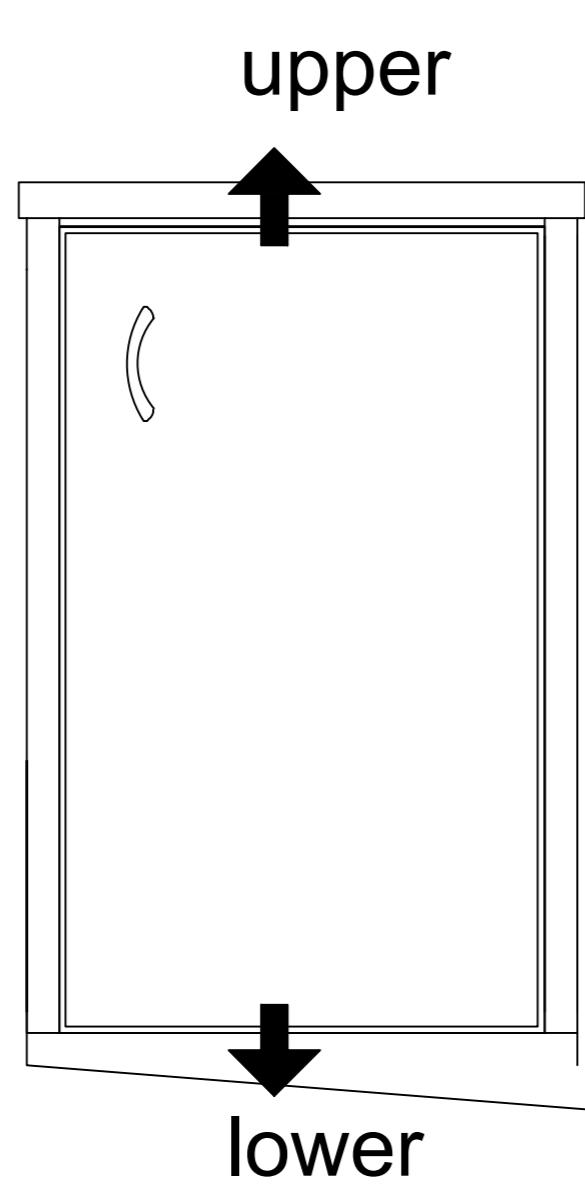
Method 1:



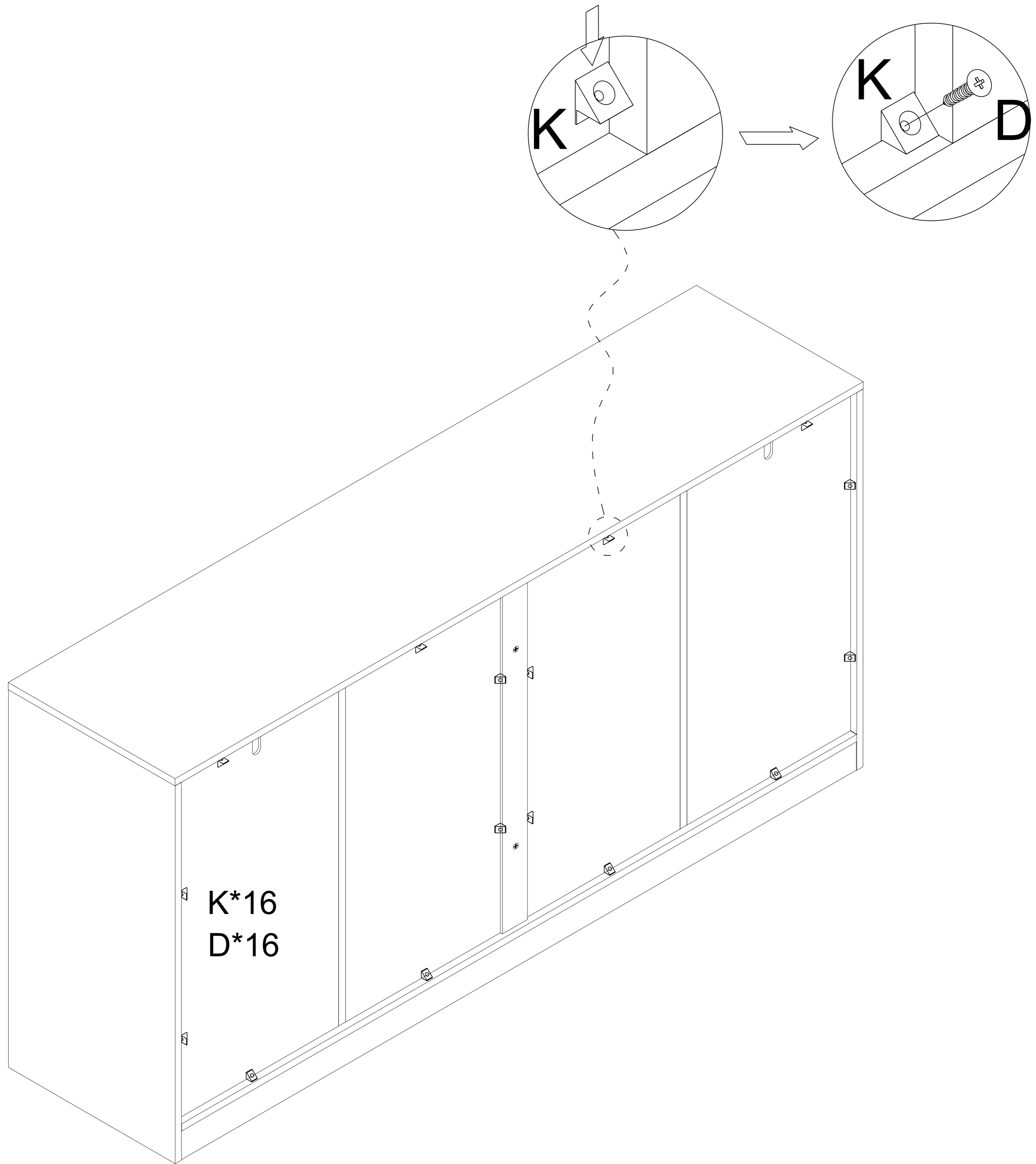
Method 2:

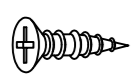


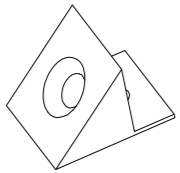
Method 3:



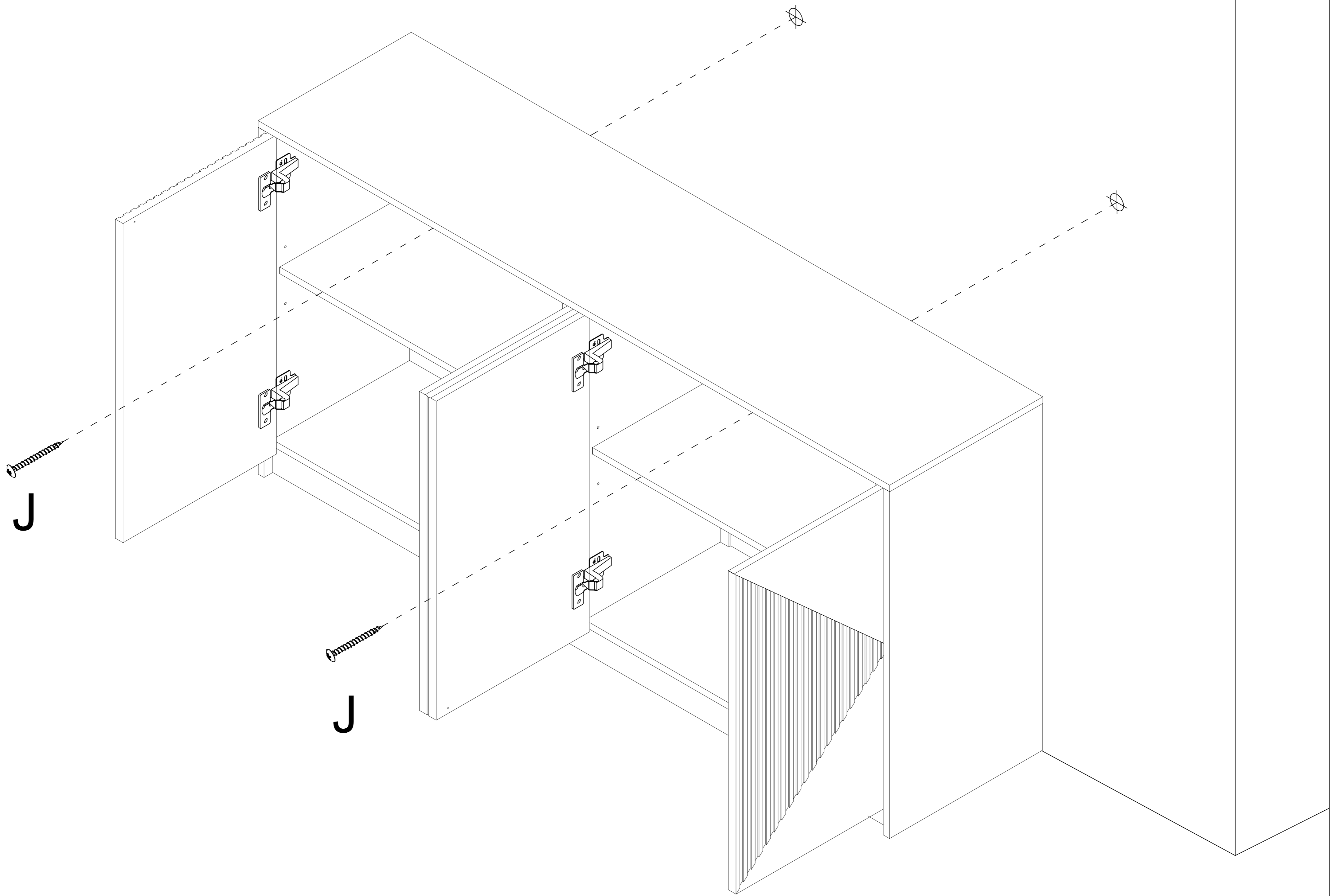
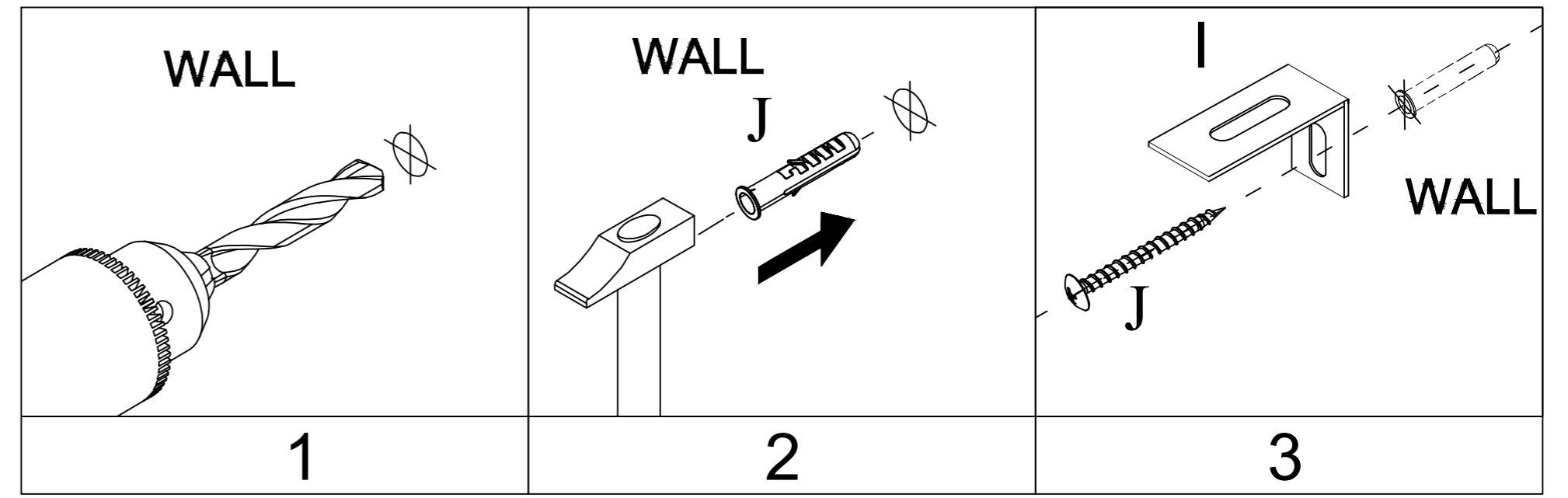
STEP 15



D	16PCS
	
M3.5*14mm	

K	16PCS
	

STEP 16



J	2PCS