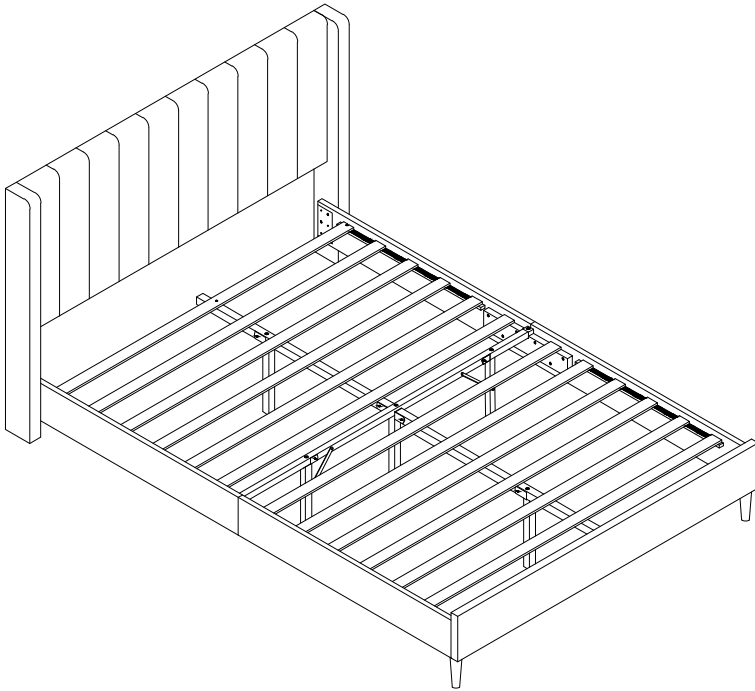


STANDARD BED



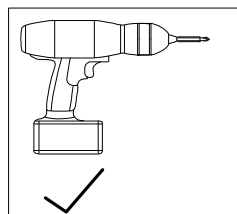
WARNING: OPEN THE HEADBOARD BACK ZIPPER, THE BED REST PARTS IN IT.



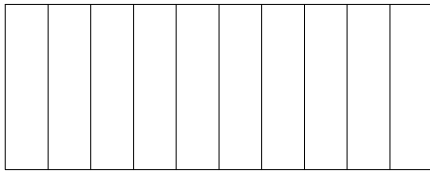
Please TEAR OFF this shrink film from side! DO NOT USE CUTTER!

ITEM NUMBER:903H
IMPORTANT NOTE

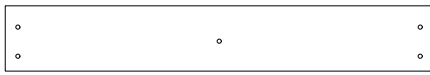
- 1. ALL OTHER PART INSIDE THE HEADBOARD PLEASE OPEN THE ZIPPER OF HEADBOARD, AND TAKE OUT ALL OTHER PART BEFORE ASSEMBLY.**
2. FOR THE PROTECTION OF YOUR FURNITURE, PLACE ALL PARTS ON A CLEAN AND SMOOTH SURFACE TO PREVENT ANY DAMAGE.
3. DO NOT USE POWER TOOLS TO ASSEMBLE THE BED.
4. PLEASE PERIODICALLY CHECK ALL FITTINGS AND RE-TIGHTEN AS NECESSARY.
5. DO NOT USE THE BED UNLESS ALL BOLTS AND SCREWS ARE FIRMLY SECURED.
6. NEED PARTS OR ASSISTANCE?
7. YOU CAN ASSEMBLE IT WITH OUR PACKAGING TOOLS OR WITH A.



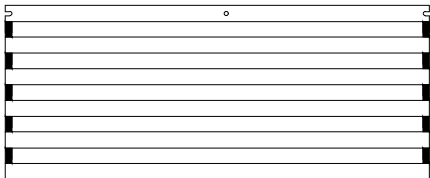
PART LIST



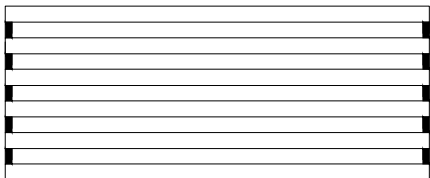
① x 1pc



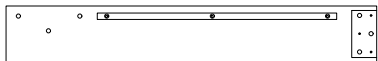
② x 1pc



③ x 1pc



④ x 1pc



⑤-1 x 1pc



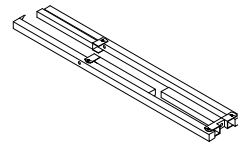
⑤-2 x 1pc



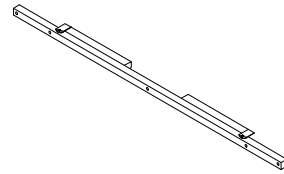
⑥-1 x 1pc



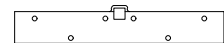
⑥-2 x 1pc



⑦ x 1pc



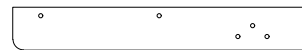
⑧ x 1pc



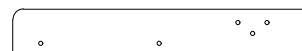
⑨ x 2pcs



⑩ x 2pcs



⑪ x 1pc



⑫ x 1pc

HARDWARE LIST



H1 M5 x 1pc



H2 M8x20mm x 9pcs



H3 M8x35mm x 7pcs



H4 M8x40mm x 22pcs



H5 M8 x 29pcs



H6 M8x17mm x 31pcs



H7 M8x22mm x 10pcs



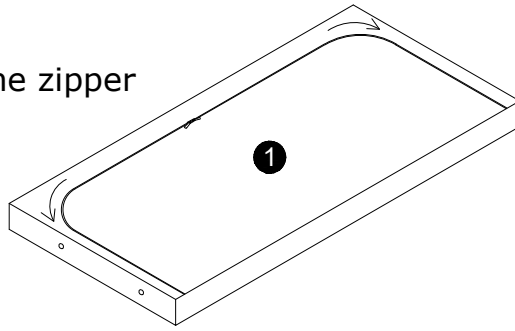
H8 M8x60mm x 1pc



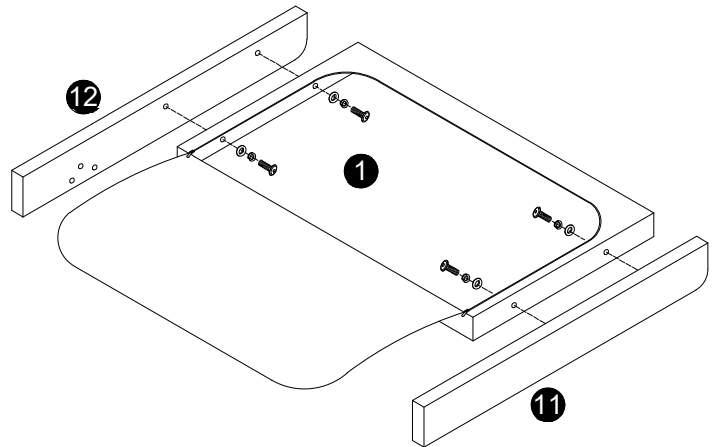
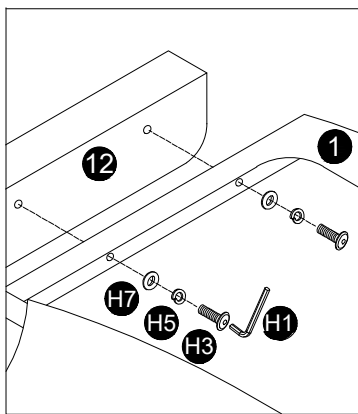
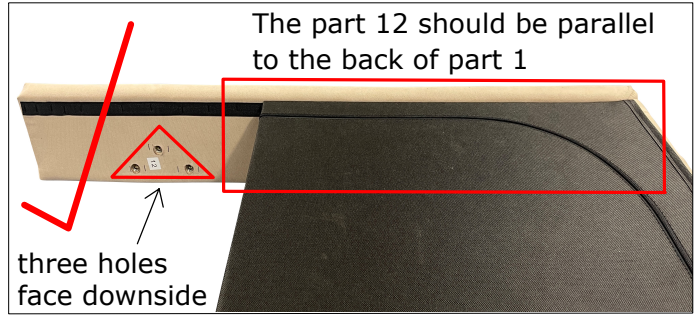
H9 M8x50mm x 2pcs

1 **NOTE:** PLEASE OPEN THE ZIPPER ON THE BACK OF **1** AND TAKE OUT THE PARTS.

Open the zipper

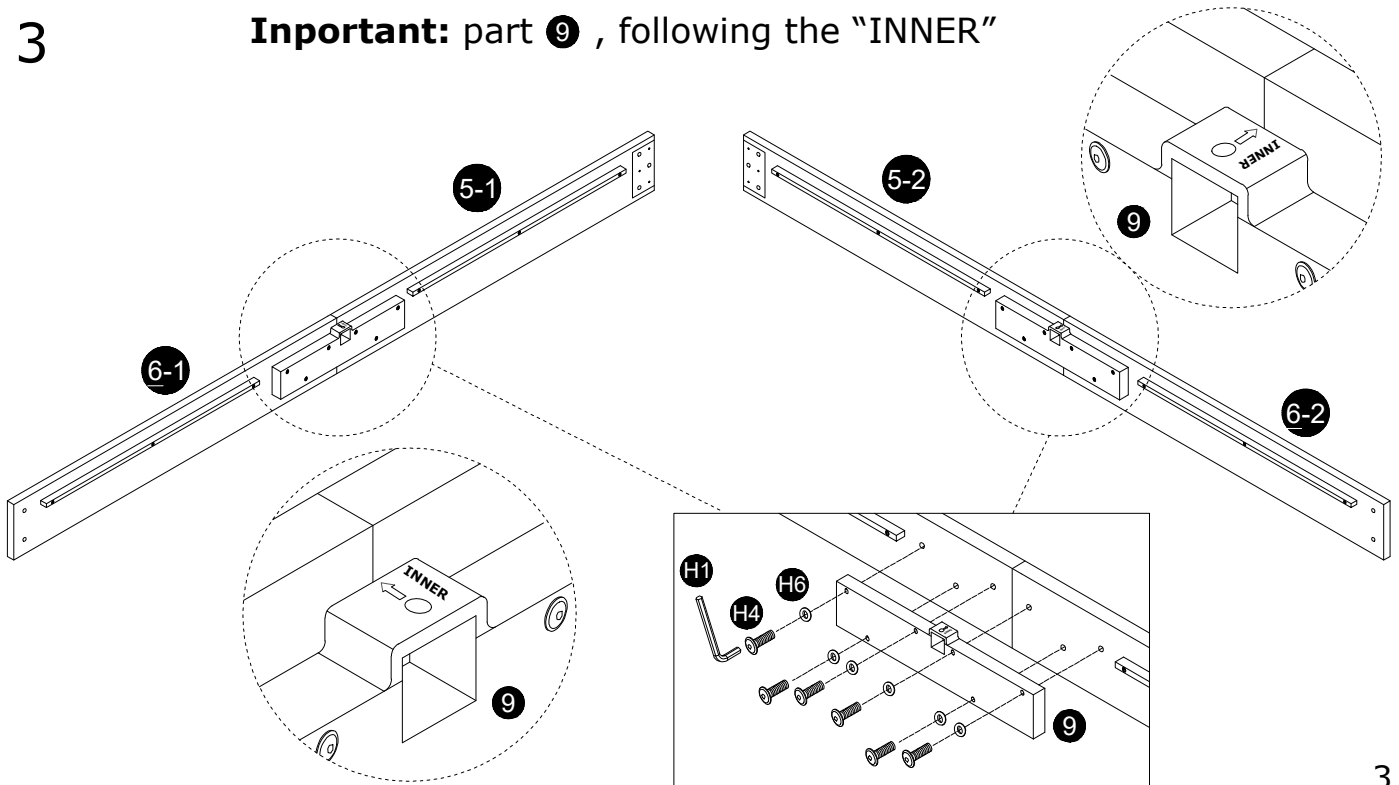


2

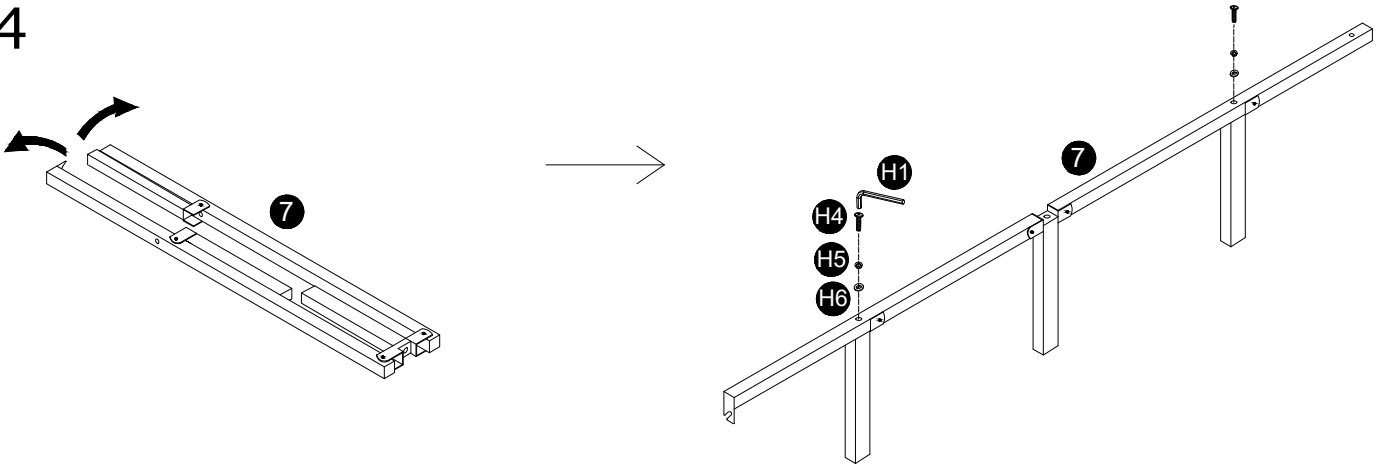


3

Important: part **9** , following the "INNER"

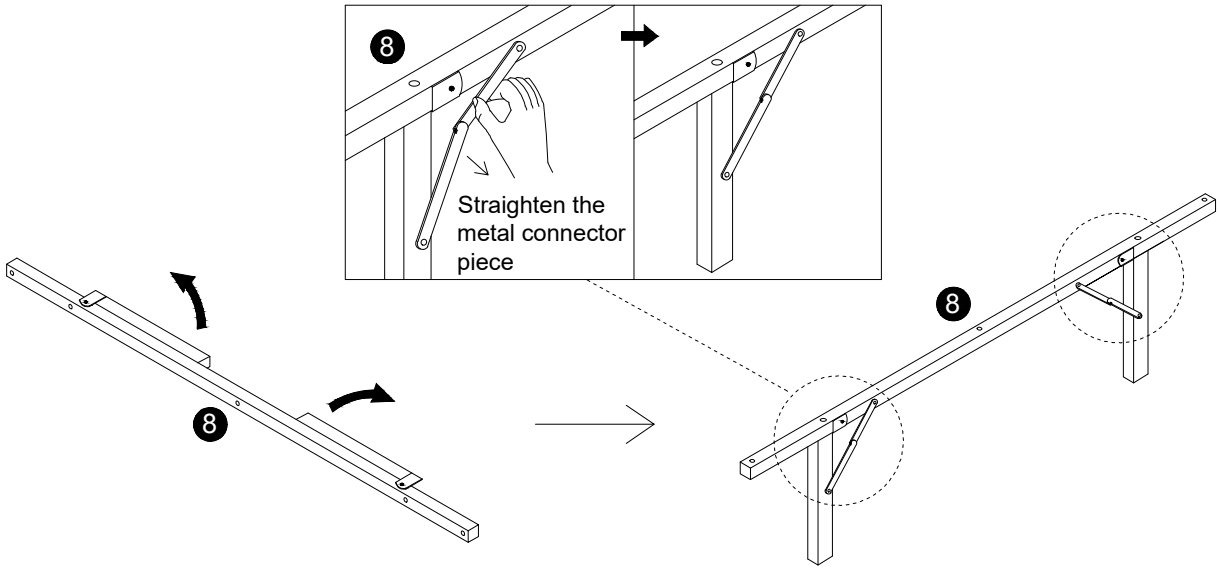


4

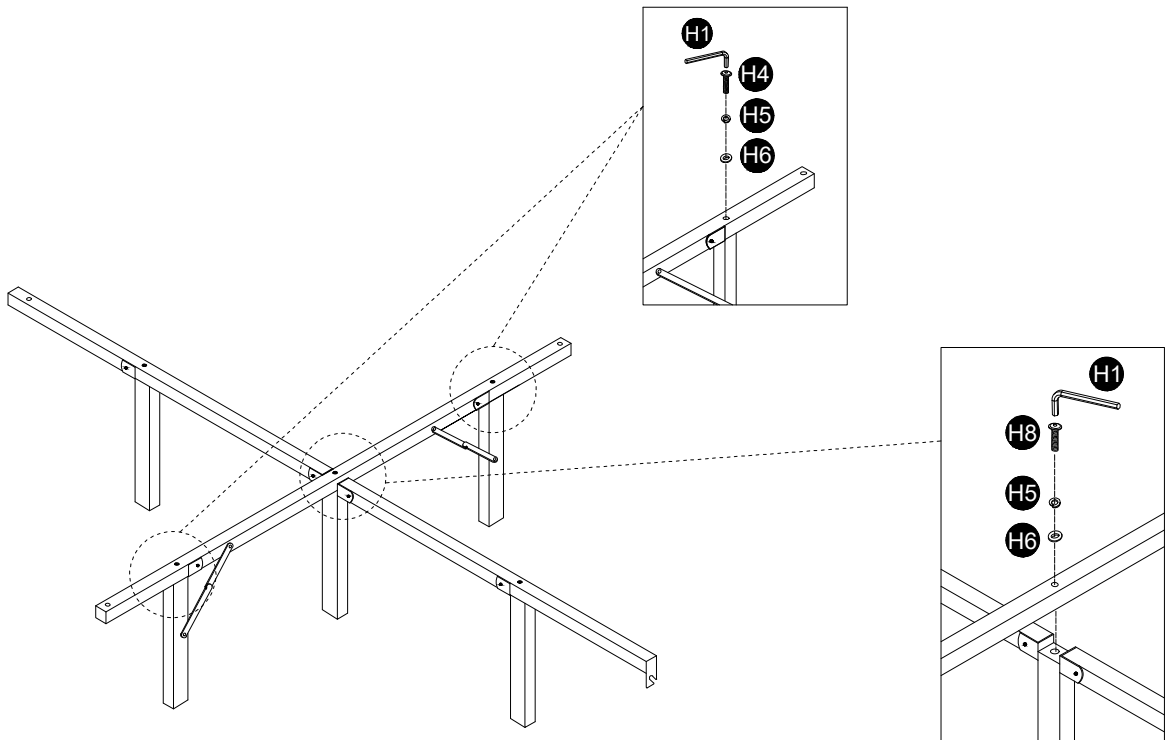


5

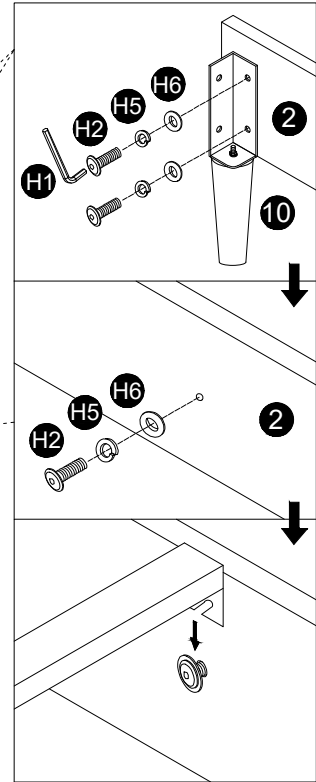
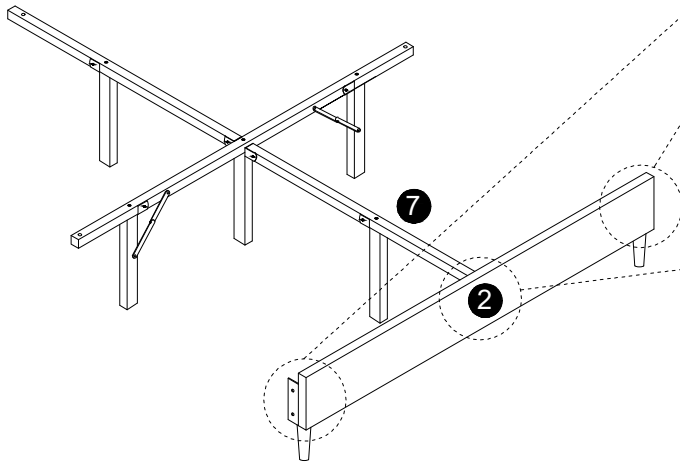
BEWARE OF CLAMP HAND



6



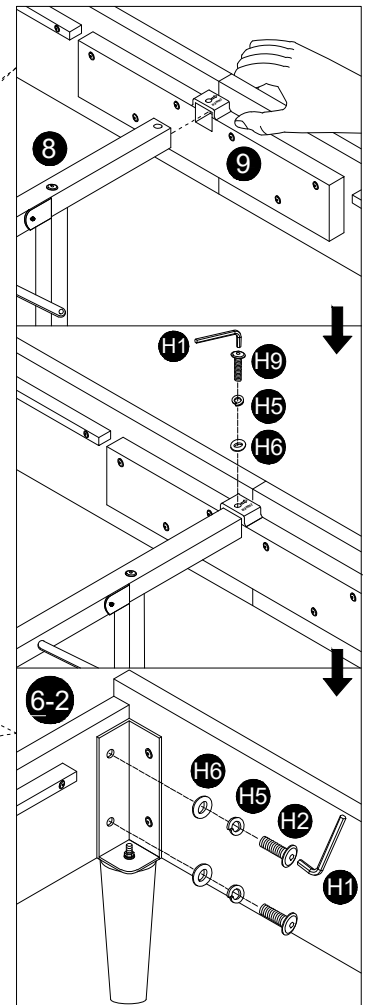
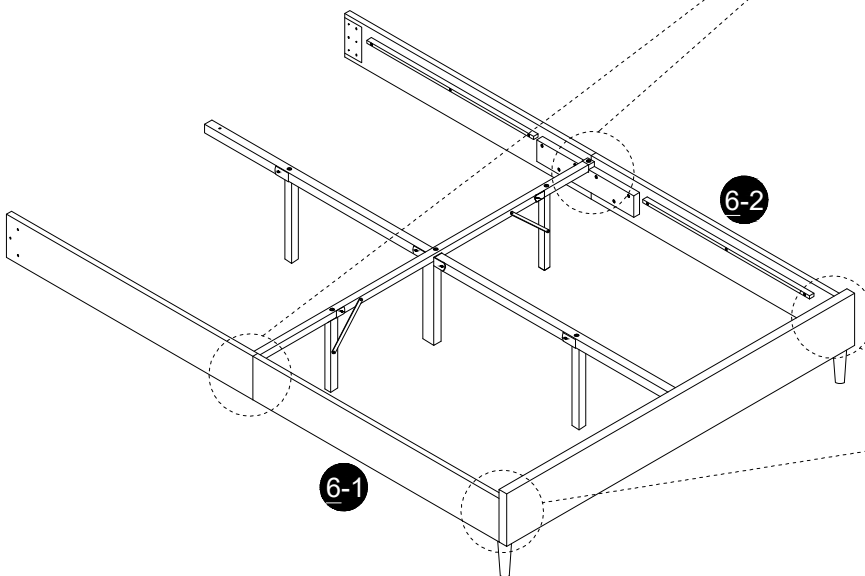
7



Do not fully tighten fixings!

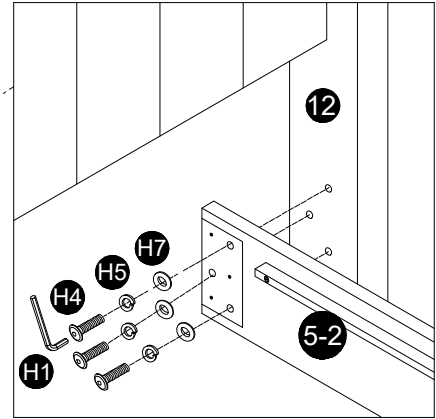
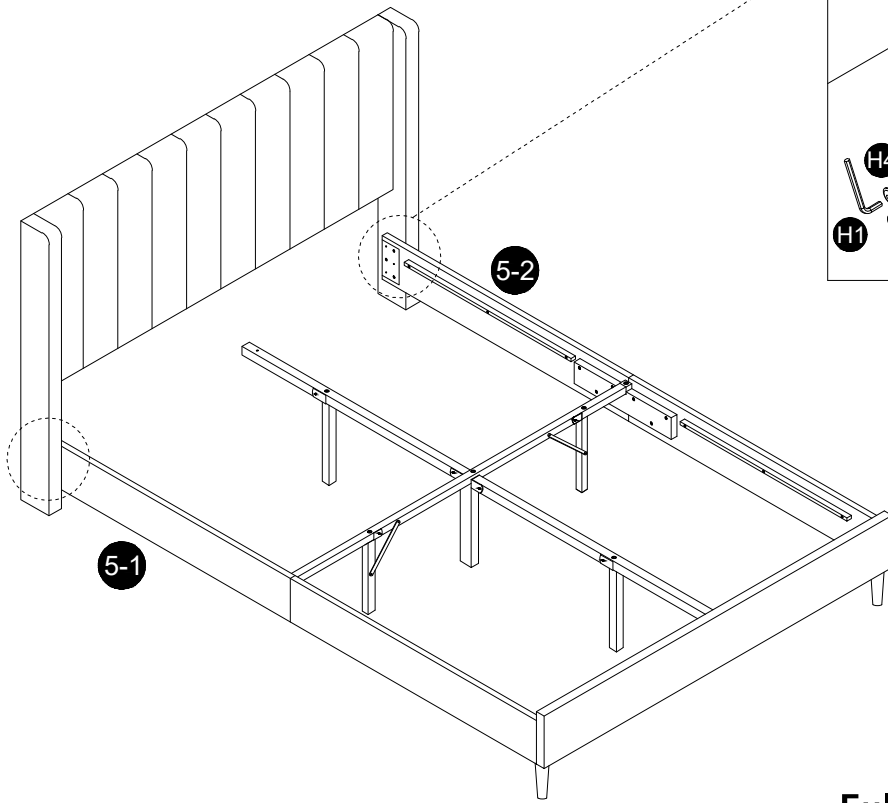
8

If can't assembly, checking STEP 3 if wrong



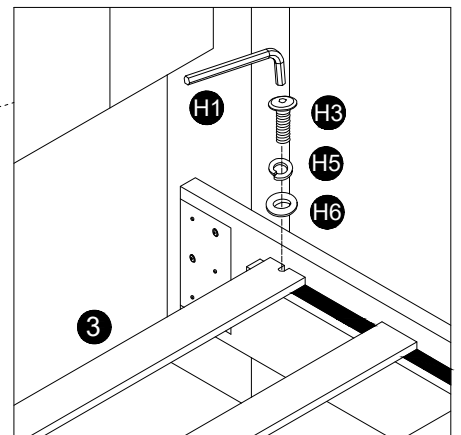
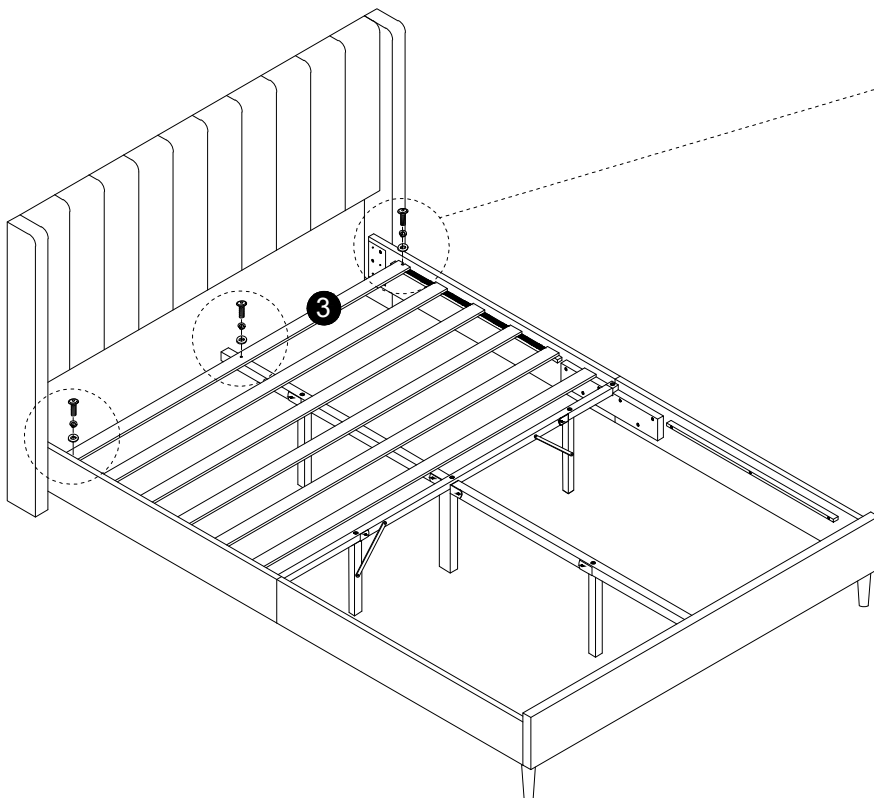
Do not fully tighten fixings!

9

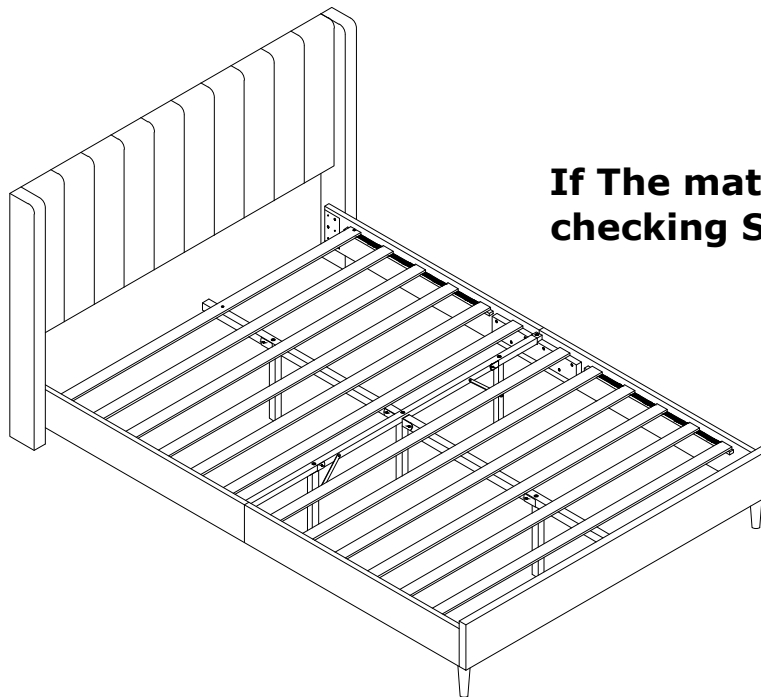
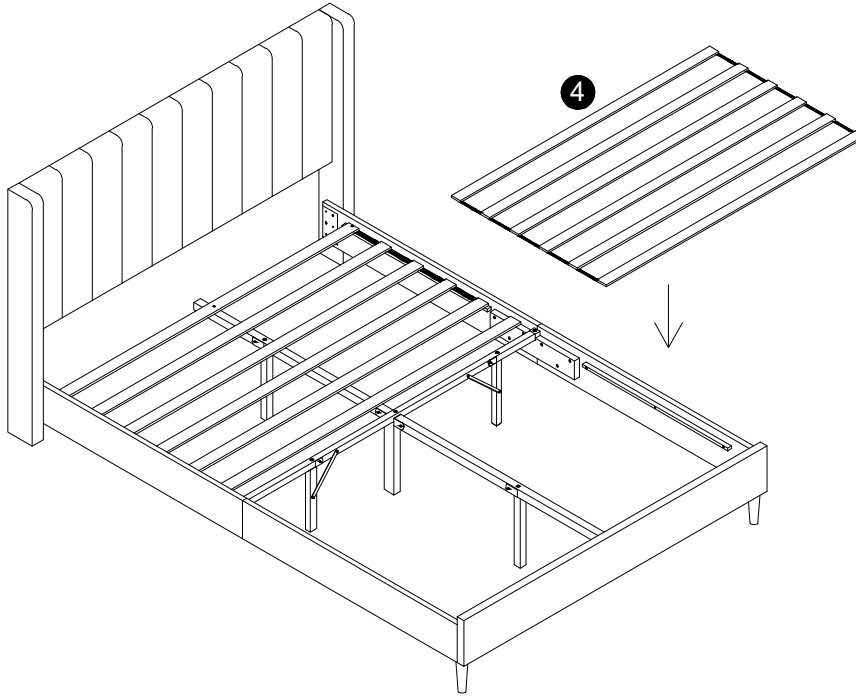


Fully tighten all fixings.

10



11



**If The mattress doesn't fit in,
checking STEP 2 if wrong**

Job Complete !

In the interest of our environment please dispose of all packaging thoughtfully.