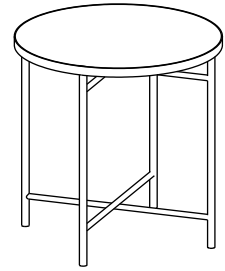
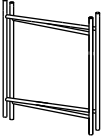
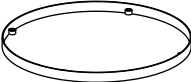

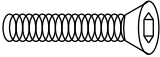
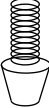




END TABLE

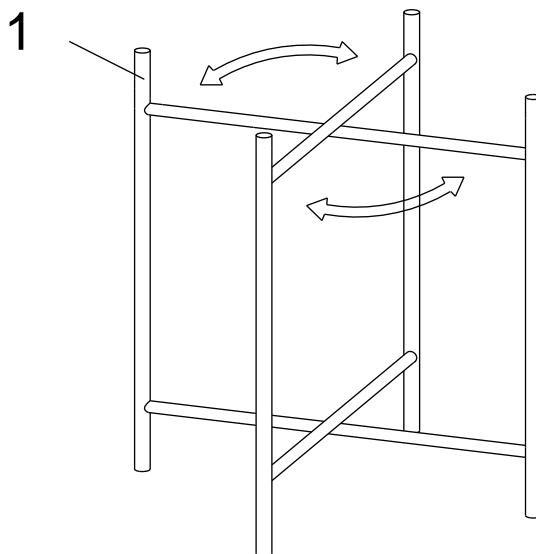


ASSEMBLY INSTRUCTIONS

1	2	3	
 Metal Frame 1pc	 Top Frame 1pc	 Glass Top 1pc	
A	B	C	D
 BOLT 1/4" X 1" 4pcs	 Leveler 12mm 4pcs	 Glass Pad 4pcs	 ALLEN WRENCH 1pc

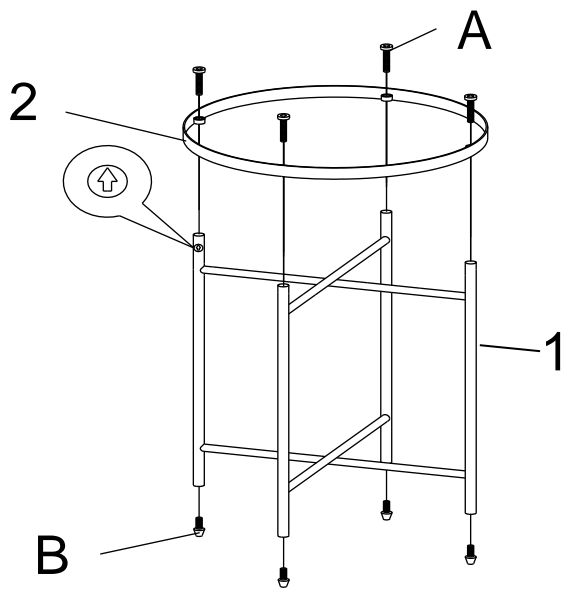
***** Do not tighten screws & bolts until the entire unit is completely assembled. *****

STEP 1



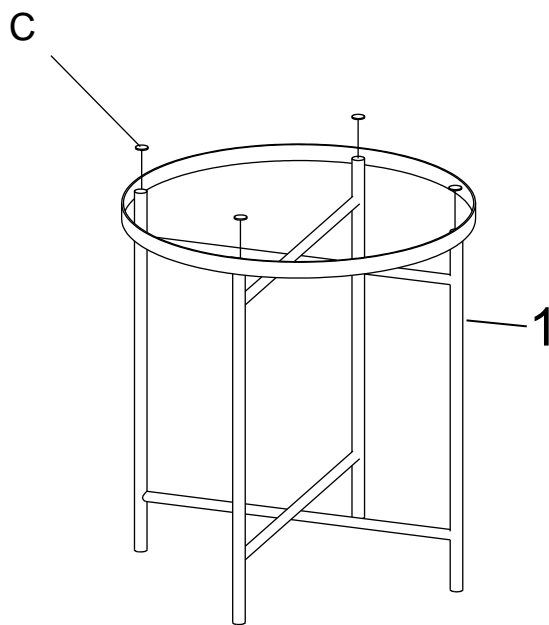
Unfold the metal frame (1) as shown.

STEP 2



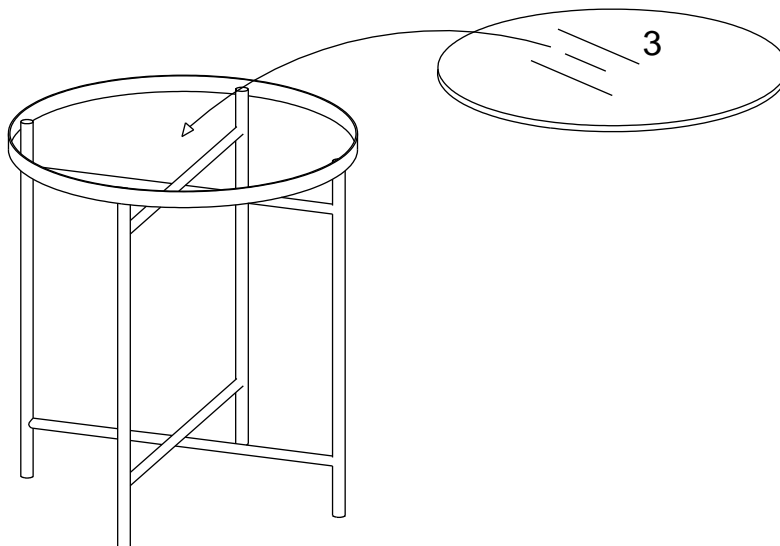
Attach top frame (2) to metal frame (A) by using bolt (A), then attach leveler (B) to the bottom of metal frame (1) as shown.

STEP 3



Attach glass pad (C) to the top of metal frame (1) as shown.

STEP 4



Put the glass top (3) into the assembled unit as shown.