



Contact Us First
DO NOT RETURN TO STORE

For help with assembly
or product information contact us at...

CALL:

1-330-893-4212

EMAIL:

support@cottagekits.com

LIVE CHAT:

www.cottagekits.com

SUPPORT HOURS

Monday-Friday 8:00 am to 4:30 pm EST

(This page intentionally left blank.)



WIN \$500



Review your Value Gable Shed for the chance to win a **\$500 Wildridge gift card.**



How to Enter

Open camera.
Scan. Tap.



WILDRIDGE
PURVEYORS OF QUALITY POLY FURNITURE



1 Scan QR code

2 Write a review

3 Submit your review

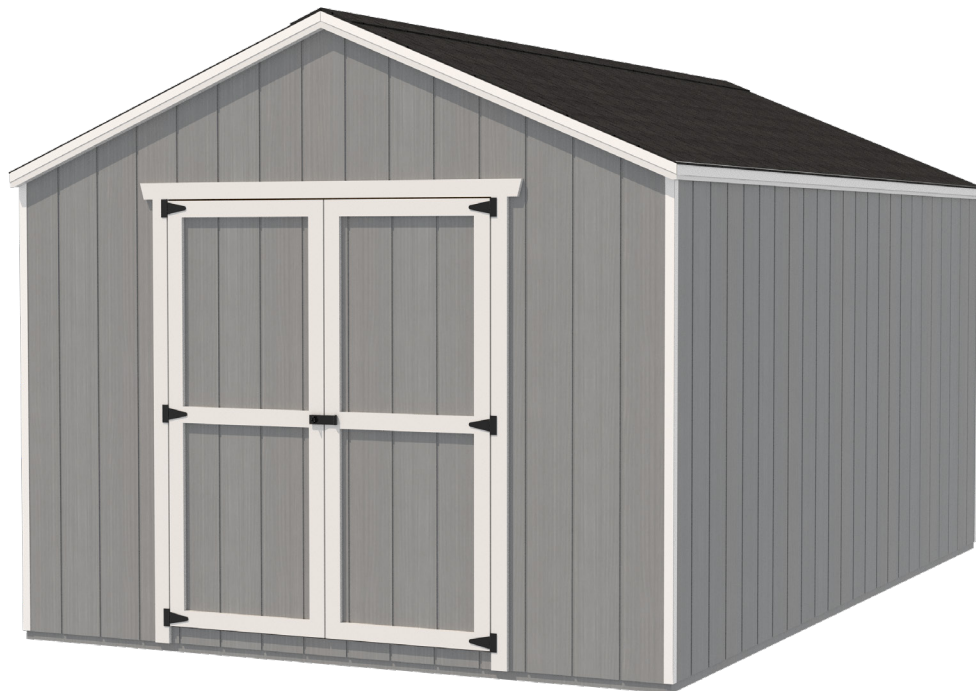
A new winner is selected every month. You'll be notified via email if you've won.

Leave a detailed review of your purchase from Little Cottage Co. by using the above QR code for a chance to win a \$500 coupon, redeemable online only for eligible Wildridge products (retail value \$500). By leaving a review, you agree to enter these sweepstakes and consent to the official sweepstakes rules and regulations. The chances of winning a prize are completely random and based on the number of eligible entries received. Winners are chosen every month until Little Cottage Co. terminates the sweepstakes program. Must be legal U.S. resident (including Washington, D.C. but excluding Alaska and Hawaii), and 18 or older to participate. Prizes are non-transferrable and may not be exchanged or redeemed for cash or credit. Taxes on prizes are the responsibility of the winner. Void where prohibited. DETAILS OF THE PRIZES AND HOW TO ENTER THE SWEEPSTAKES ARE CONTAINED IN THE OFFICIAL SWEEPSTAKES RULES AND REGULATIONS AVAILABLE AT <https://cottagekits.com/sweepstakes>. NO PURCHASE NECESSARY.

Shop Our Outdoor Furniture Brand —> [wildridge.com](https://www.wildridge.com)

(This page intentionally left blank.)

LITTLE COTTAGE CO.

Value Gable**ASSEMBLY INSTRUCTION MANUAL**

SIZES: 8x8, 8x10, 8x12, 8x14, 8x16, 10x10, 10x12, 10x14, 10x16, 10x18, 10x20,
12x12, 12x14, 12x16, 12x18, 12x20, 12x24

TOOLS NEEDED:

- Cordless Drill (12 V or Higher)
- #2 Square Drive Bit
- Hammer
- 6' Step Ladder
- Tape Measure
- Square Utility Knife with Blade and Hook Blade
- Speed Square
- Tin Snips

ITEMS TO PURCHASE:

- Shingles
- Drip Edge
- Paint
- Caulk, Optional
- Runners, Optional

For Quantities See The Kit Packing List Included

**LITTLE COTTAGE CO.**

OFFICE: 4550 SR 39, Millersburg, OH 44654

MAILING: PO Box 455, Berlin, OH 44610

www.cottagekits.com**Have Questions?****CALL: 330-893-4212****EMAIL: support@cottagekits.com****CHAT: Visit cottagekits.com & Live Chat With Us****SUPPORT HOURS: Mon.-Fri. 8:00am to 4:30pm EST**

VALUE
GABLE



VALUE GABLE ASSEMBLY INSTRUCTION MANUAL

[SUPPORT HOURS: MON.-FRI. 8:00 AM - 4:30 PM EST]

THANK YOU for purchasing from Little Cottage Company!

If you have questions during assembly, please don't hesitate to contact us.

CALL: 330-893-4212

EMAIL: support@cottagekits.com

CHAT: Visit cottagekits.com and Live Chat With Us

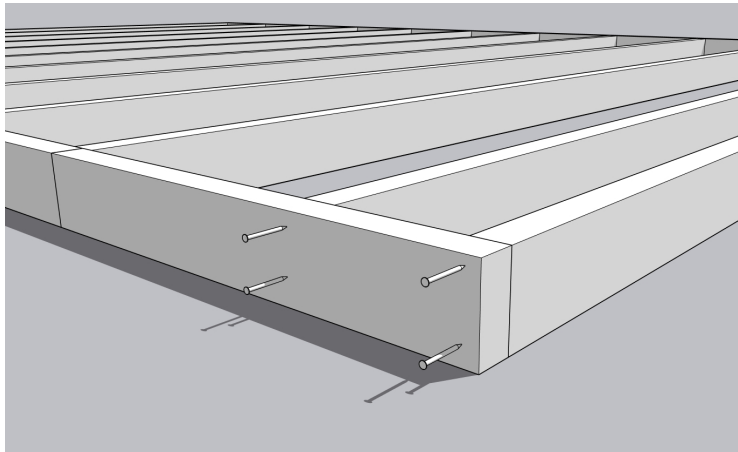
SUPPORT HOURS: Mon.-Fri. 8:00am to 4:30pm EST



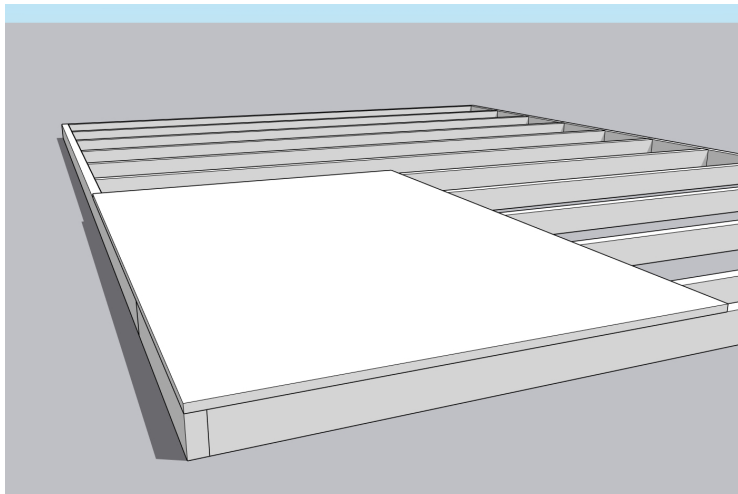
1. TO BEGIN CONSTRUCTION of your new building, first locate the Layout diagrams (Wall, Roof, etc.) along with the Kit Packing List that is included with your assembly manual. **Please see the Kit Packing List for items you will need to purchase to help assemble this kit. You will be following the Layout diagrams provided for placement and using this Assembly Manual as a guideline.**

(NOTE: A 10x14 building was used for the images shown in this assembly manual.)

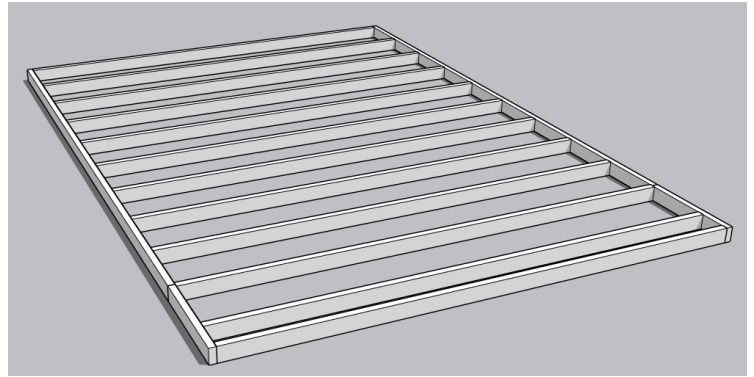
RECOMMENDATIONS: We recommend a crushed stone base underneath the unit, extending 1-foot beyond the building on all sides to help with drainage. Raising the unit with some type of pressure treated 4x4 runner or landscape stone will also enhance airflow and help prevent uneven settling.



3. Start by aligning the 2x4 rim board with the 2x4 floor joist at the corner. Use a speed square to ensure the corner is flush, then fasten with 3-inch nails. Continue along the entire perimeter, securing each 2x4 joist to the 2x4 rim boards as you go.

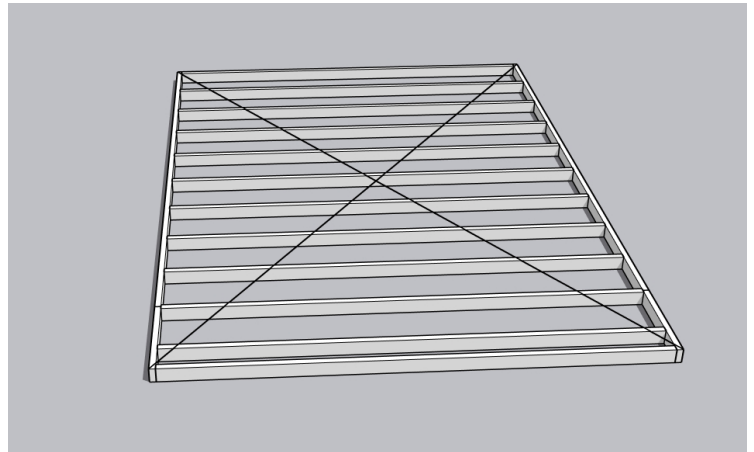


5. Locate the OSB flooring. Following the FLOOR LAYOUT DIAGRAM SHEET set the OSB flooring in place, using the speed square, make sure the OSB is flush with the 2x4's on each side.

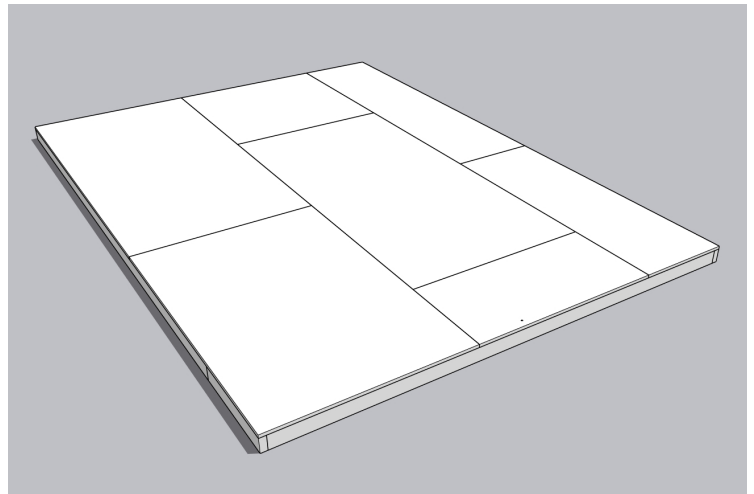


2. Floor - Some type of flooring is required. If you did not purchase a floor from Little Cottage Co. you must provide your own. Do not place sidewalls or the floor in direct contact with the ground.

Floor Construction: Locate the FLOOR LAYOUT DIAGRAM SHEET. Referring to the diagram, find and place the rim boards and floor joists on a level surface, spacing them as shown on your floor diagram layout. Note: Your layout may look different than the one shown due to the size of your unit.



4. Next square up the floor. To square the floor, use a tape measure to find the distance from one corner to the other, then measure the diagonal between the remaining 2 corners. If the two measurements are the same, then your floor is already squared. If they aren't, adjust the floor until the measurements are the same.

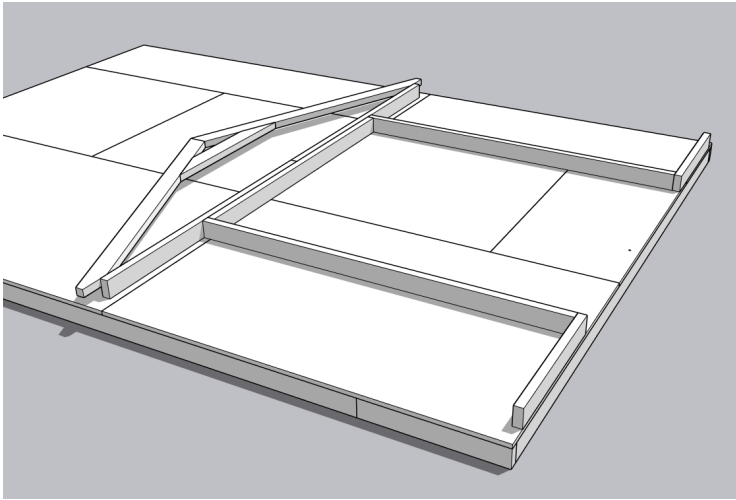


6. Secure the OSB flooring by nailing it to the 2x4s with 2-inch nails, spacing them every 6 to 8 inches.

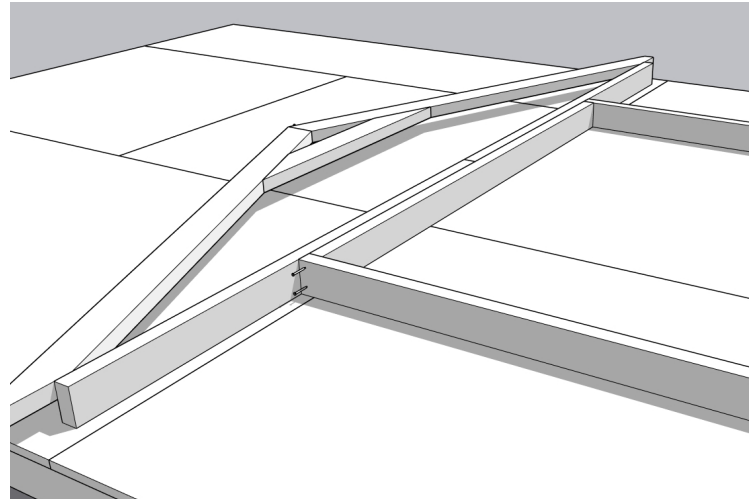


VALUE GABLE ASSEMBLY INSTRUCTION MANUAL

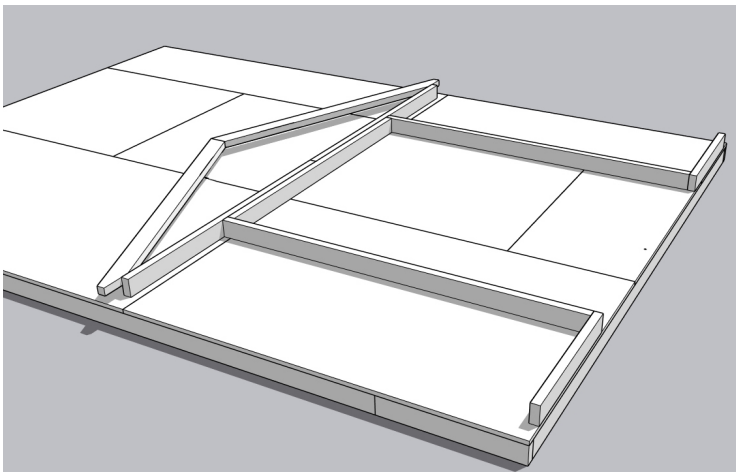
[SUPPORT HOURS: MON.-FRI. 8:00 AM - 4:30 PM EST]



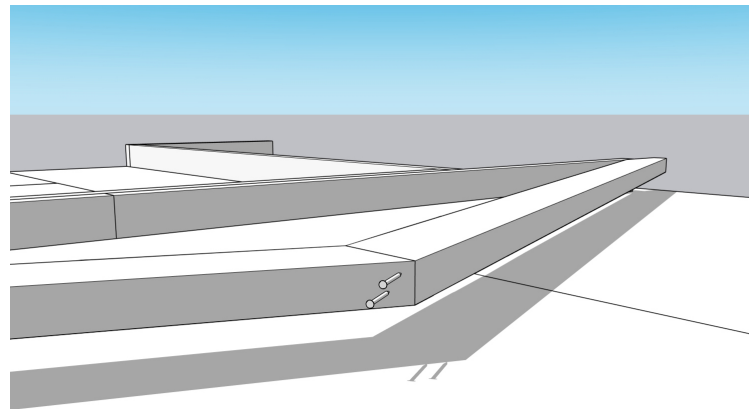
7. Front Gable Wall Construction: Refer to the WALL LAYOUT DIAGRAM SHEET. Arrange the components for the front gable wall (w/door opening) on a level surface.



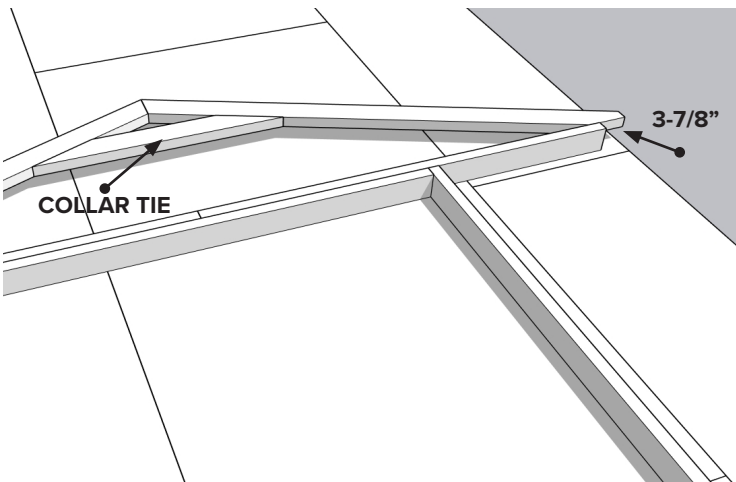
8. To install the door header, make sure it is aligned with the ends of the studs, then secure it between the two studs using 3-inch nails.



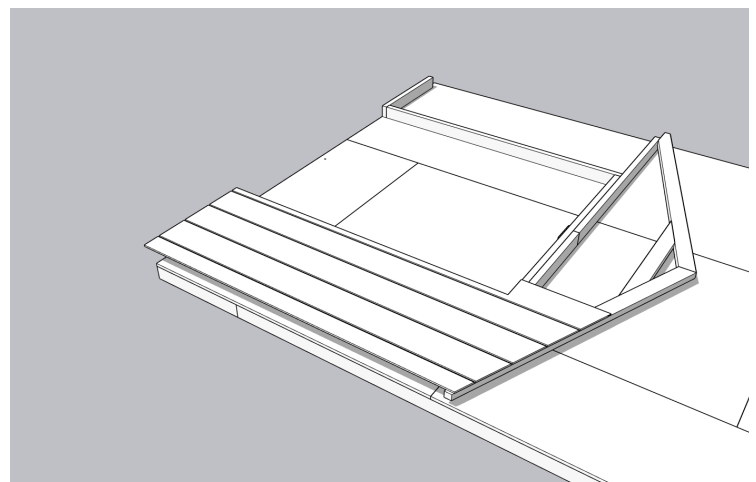
9. Align the top plates so they meet at the center of the header. Use 3-inch nails to fasten them to the ends of the vertical studs and the header. Next, position the bottom plates so they are even with the inside edges of the studs, and attach them with 3-inch nails.



10. Fasten the truss pieces together using 3-inch nails. Note the gable wall trusses will be stabilized by the outside siding (no gusset).



11. Next, secure the trusses to the top plate. Start by measuring 3-7/8 inches from the edge of the top plate to the end of the truss (do this on both sides). Then, use 3-inch nails to attach the truss to the top plate. Next, attach the collar tie to the truss using 3-inch nails

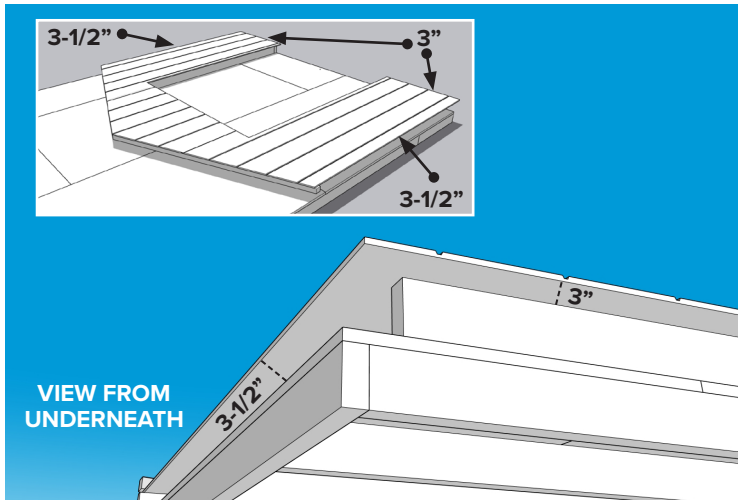


12. Referring to the SMARTSIDE SIDING DIAGRAM LAYOUT SHEET, place the siding on the front gable wall as noted in the diagram. Note: The 3" piece of siding that goes under the door will be installed later.

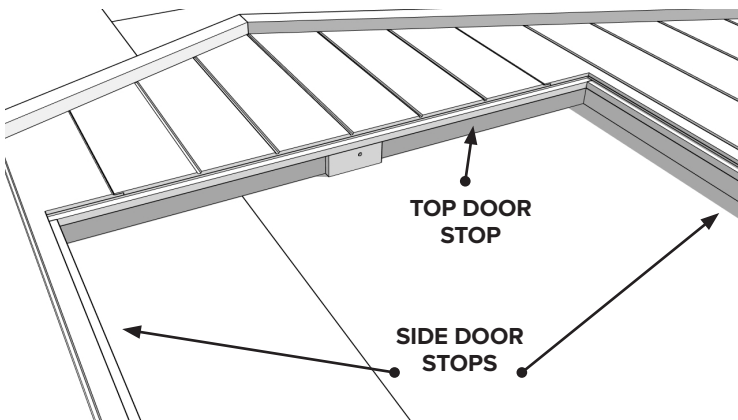


VALUE GABLE ASSEMBLY INSTRUCTION MANUAL

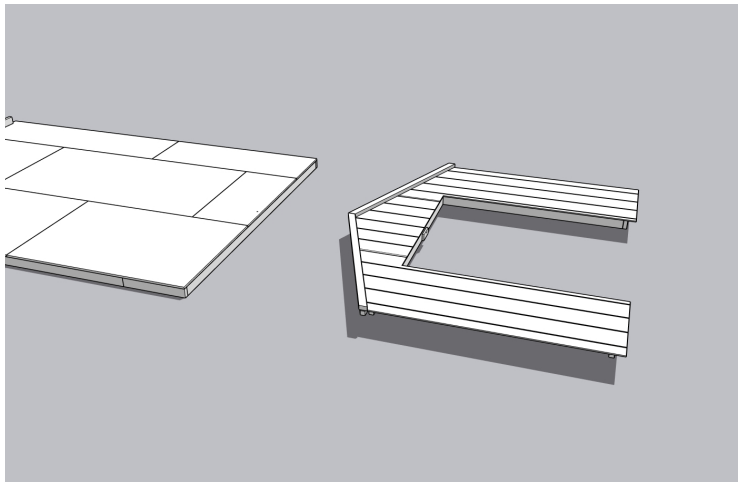
[SUPPORT HOURS: MON.-FRI. 8:00 AM - 4:30 PM EST]



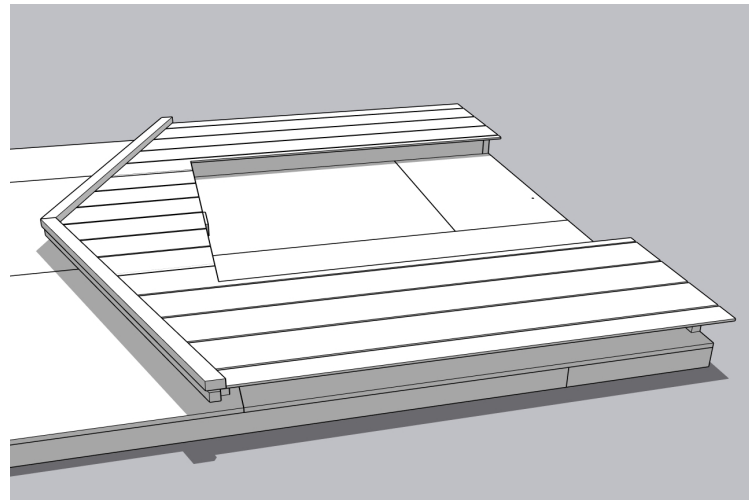
13. When fastening the siding, keep a 3-inch skirt past the bottom plate of wall and a 3 1/2-inch skirt past the sides of the wall. Fasten the siding to the studs using 2-inch nails every 6" to 8" on center.



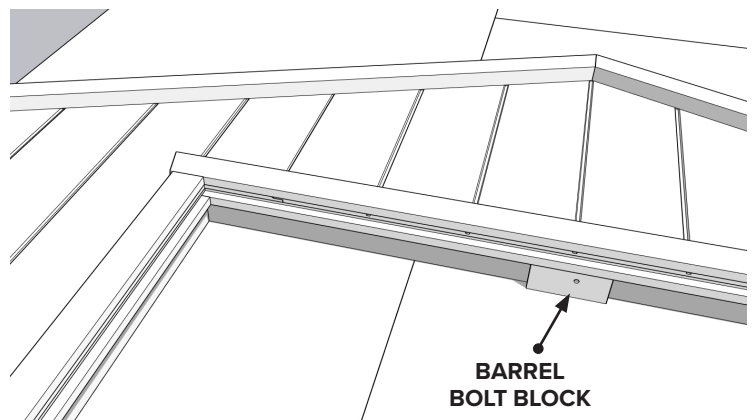
15. Installing Door Stops & Barrel Bolt Block: Locate the three door stop pieces and one barrel bolt block. Begin by attaching the top door stop to the inside of the door opening, ensuring it is flush with the 2x4s (not the siding). Fasten using 2-inch nails. Then proceed to install the side door stops, one on each side of the door, in the same manner.



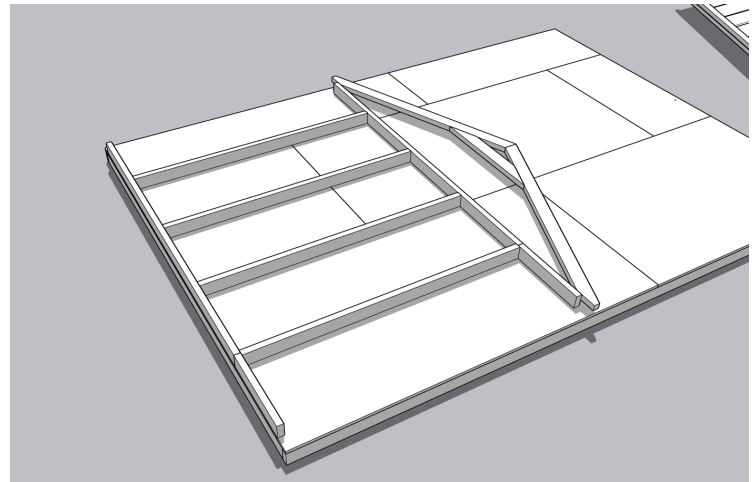
17. Set the front wall aside.



14. For Rake Installation: Measure 2-inches down from the top edge of the truss and mark this point with a pencil. Align the bottom of rakes with your pencil mark, ensuring they are flush at the outside edge of the truss and fasten using 3-inch nails.



16. To install the barrel bolt block, measure to the center of the top door stop and mark the spot. Align the barrel bolt block with your mark, ensuring it is centered, and secure it with two nails.

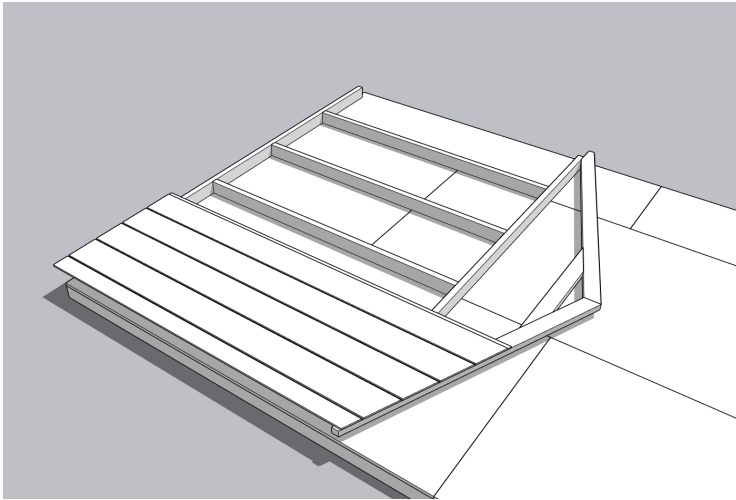


18. Back Gable Wall Construction: Refer to the WALL LAYOUT DIAGRAM SHEET. Arrange the components and assemble as shown in the diagram, using 3-inch nails to fasten. Note the gable wall trusses will be stabilized by siding instead of gussets.

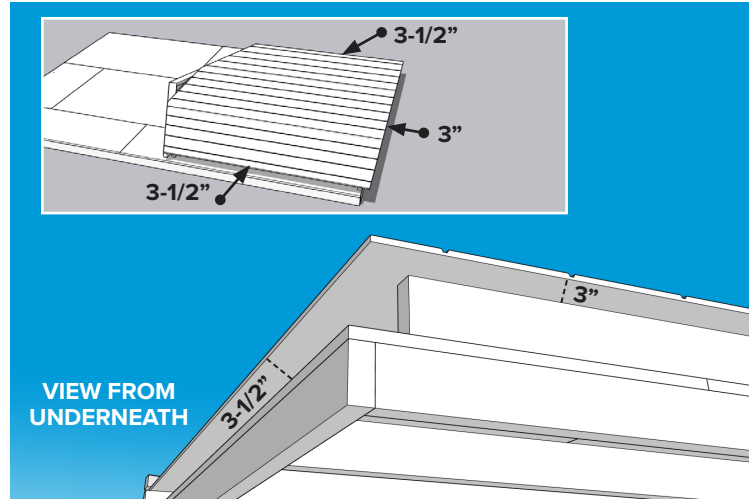


VALUE GABLE ASSEMBLY INSTRUCTION MANUAL

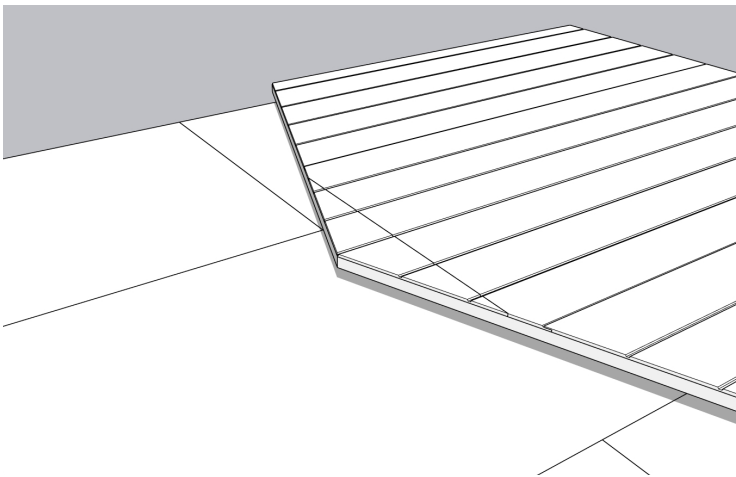
[SUPPORT HOURS: MON.-FRI. 8:00 AM - 4:30 PM EST]



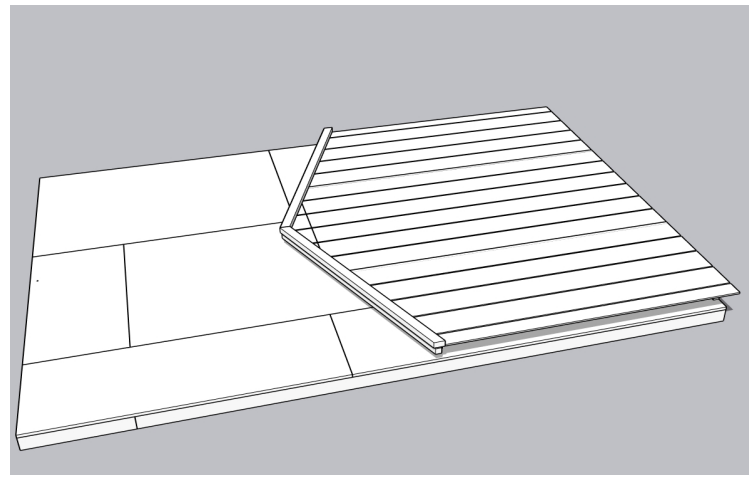
19. Referring to the SMARTSIDE SIDING DIAGRAM LAYOUT SHEET, place the siding on the back gable wall as noted in the diagram.



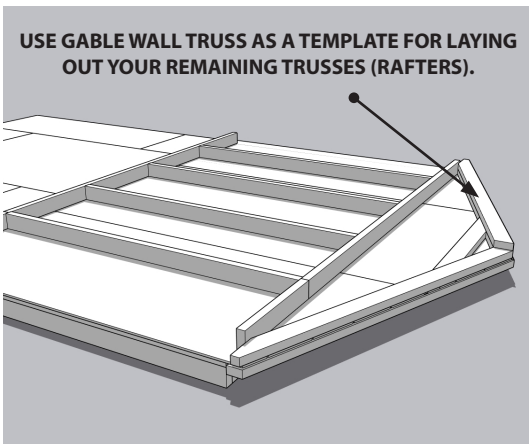
20. When fastening the siding, keep a 3-inch skirt past the bottom plate of wall and a 3 1/2-inch skirt past the sides of the wall. Fasten the siding to the studs using 2-inch nails every 6" to 8" on center.



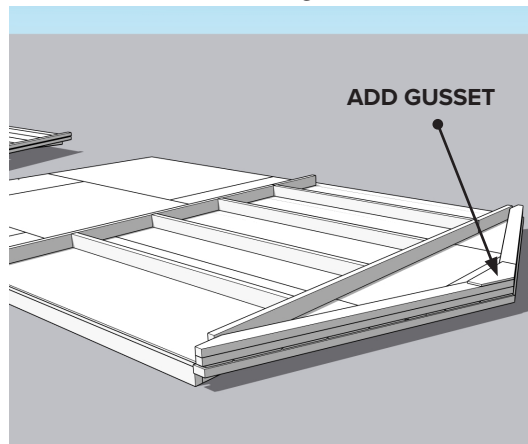
21. Some units may have smaller Smartside siding piece(s) to install at the top of the wall. We recommend caulking these pieces at the seam.



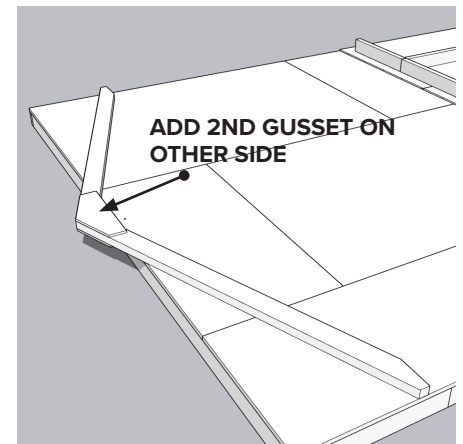
22. Installing The Rake: Locate rakes, measure in 2-inch from the top edge of the truss and mark with a pencil. Following your pencil mark install the rakes, keeping them flush with outside edge of truss, fasten using 3-inch nails.



USE GABLE WALL TRUSS AS A TEMPLATE FOR LAYING OUT YOUR REMAINING TRUSSES (RAFTERS).



ADD GUSSET



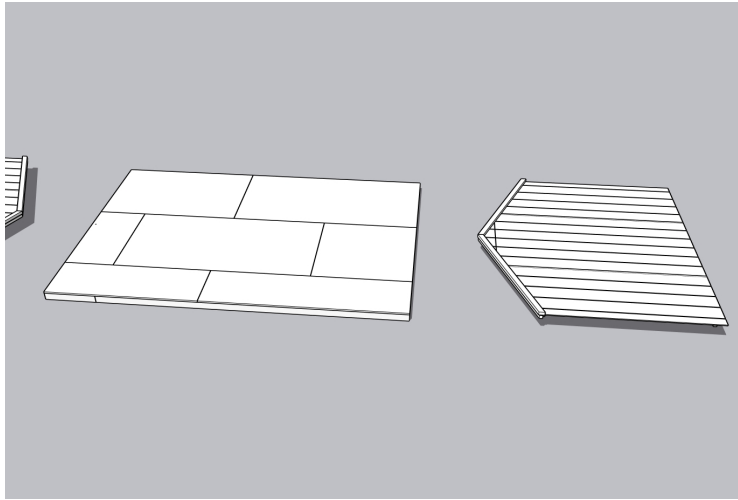
ADD 2ND GUSSET ON OTHER SIDE

23. Turn the gable wall you just finished upside down on a level surface. Next you will be assembling the Rafters. Refer to the WALL LAYOUT DIAGRAM SHEET or PACKING LIST for the rafter amounts for your unit. Note: Two rafters (trusses w/collar ties) were used for the gable walls. You will be assembling the remaining rafters (trusses/gussets) to support the roof. Using the gable wall trusses as a template, place two trusses on top of it so they line up. Connect the two trusses with a gusset and nail the gusset to the trusses using 2-inch nails. Flip the truss assembly over and attach another gusset on the other side in the same way. Repeat for the rest of the rafters.

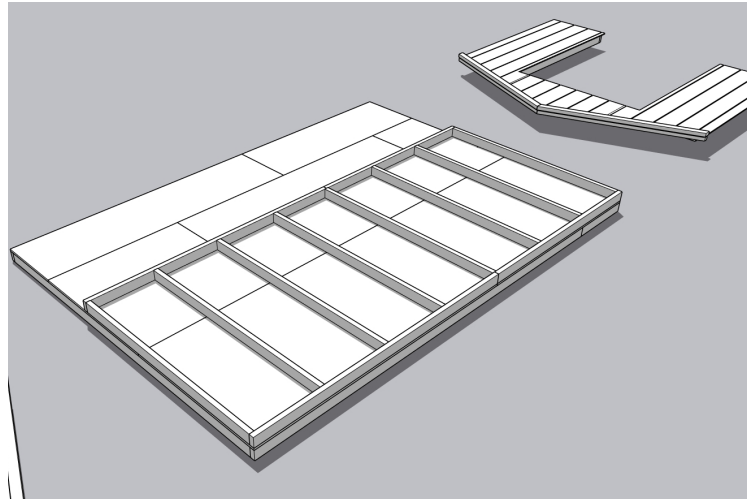


VALUE GABLE ASSEMBLY INSTRUCTION MANUAL

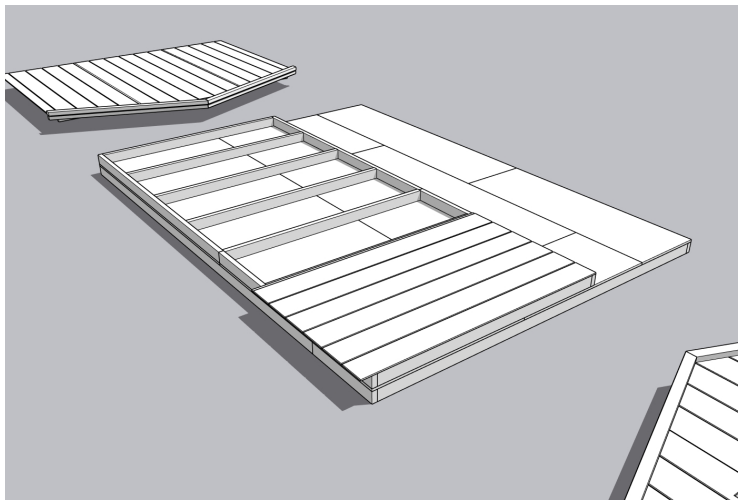
[SUPPORT HOURS: MON.-FRI. 8:00 AM - 4:30 PM EST]



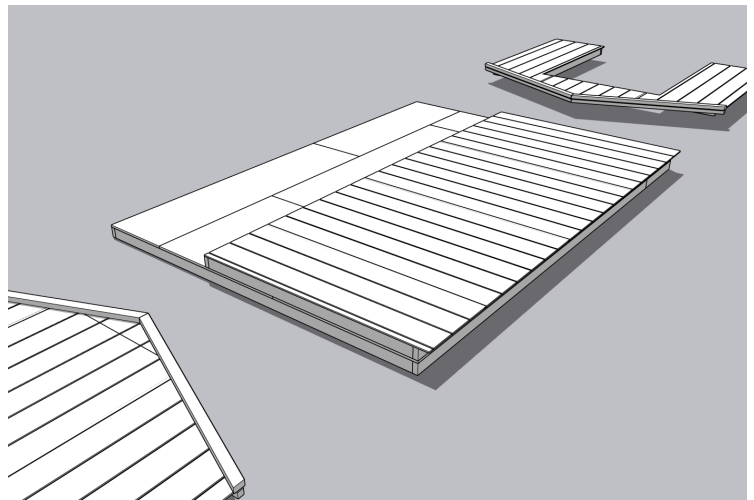
24. Set aside the completed back wall.



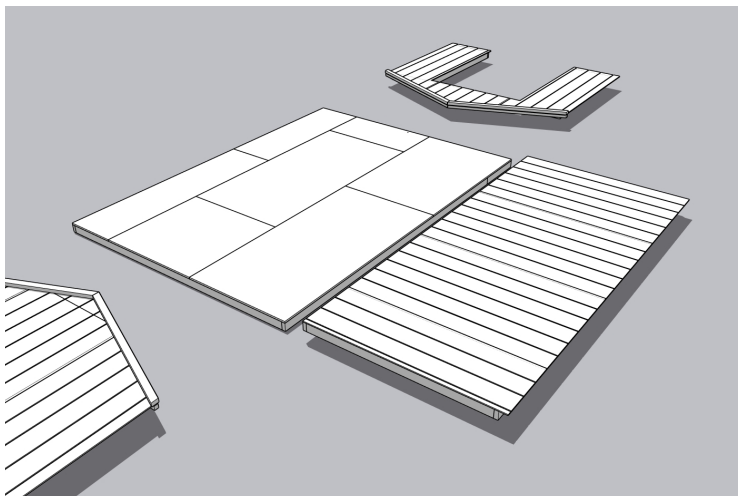
25. Side Wall Construction: Refer to the WALL LAYOUT DIAGRAM SHEET. Arrange components for the side wall and assemble as noted in the diagram, using 3-inch nails to fasten.



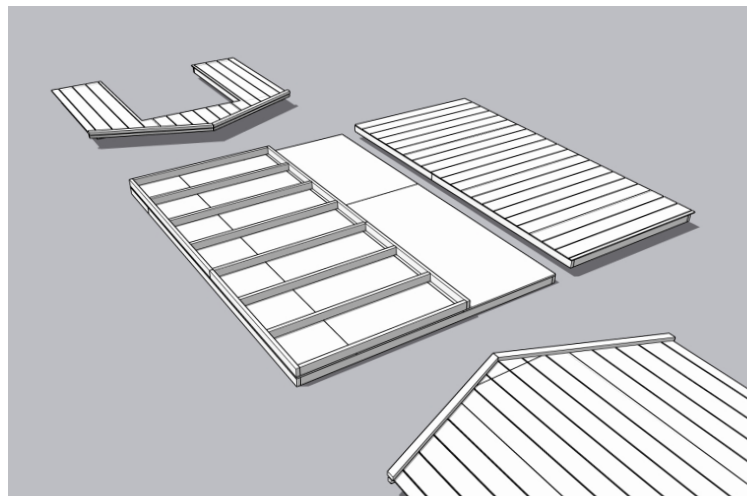
26. Referring to the SMARTSIDE SIDING DIAGRAM LAYOUT SHEET, place the siding on the side wall as noted in the diagram. Note: There will be a 3-inch skirt at the bottom of the wall.



27. Install the Smartside siding. Keep the top, sides and corners of the siding flush with the wall edges. Fasten the siding to the studs using 2-inch nails every 6" to 8" on center.



28. Set aside the completed side wall.

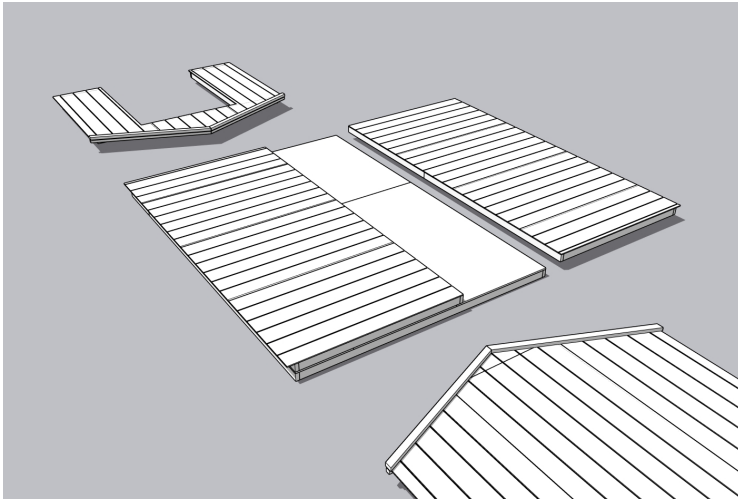


29. Next, arrange the components for the second side wall and assemble in the same manner.

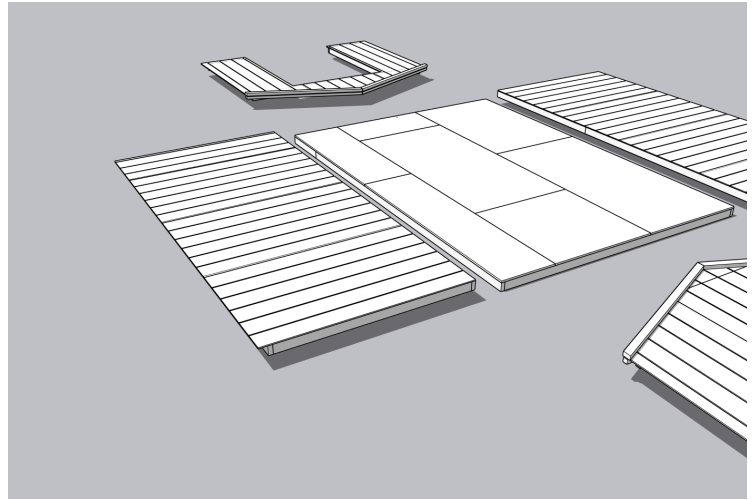


VALUE GABLE ASSEMBLY INSTRUCTION MANUAL

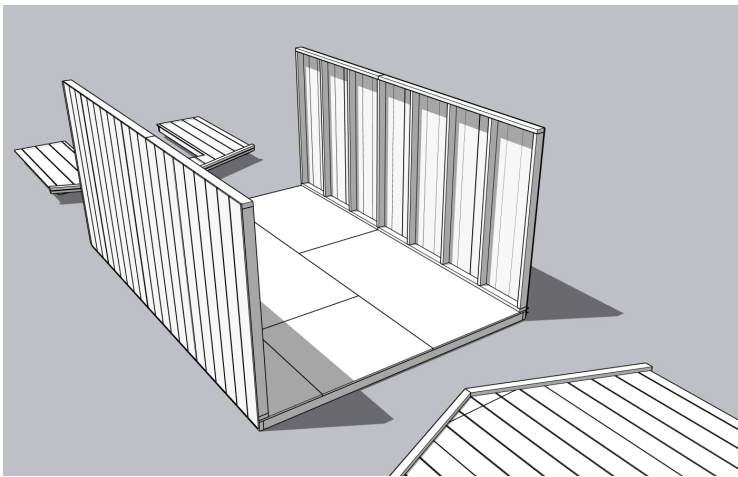
[SUPPORT HOURS: MON.-FRI. 8:00 AM - 4:30 PM EST]



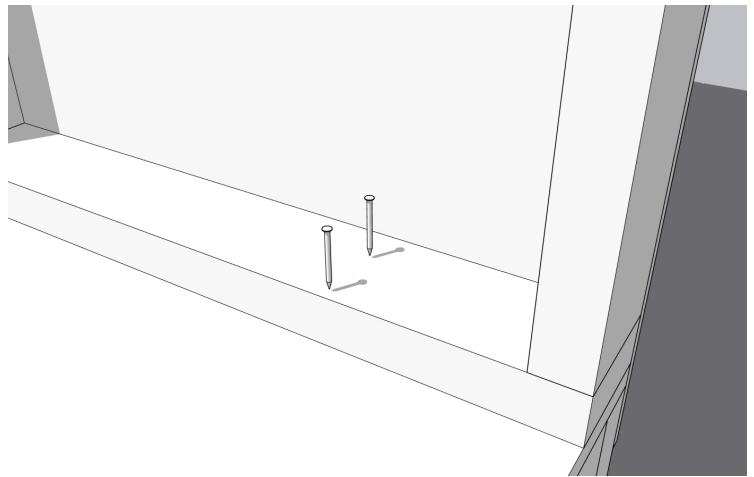
30. Install the Smartside siding for the second side wall in the same manner.



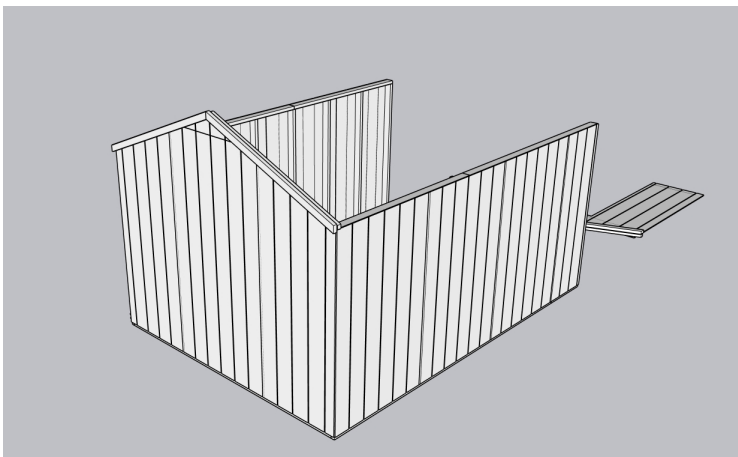
31. Your side walls are now complete and ready for installation.



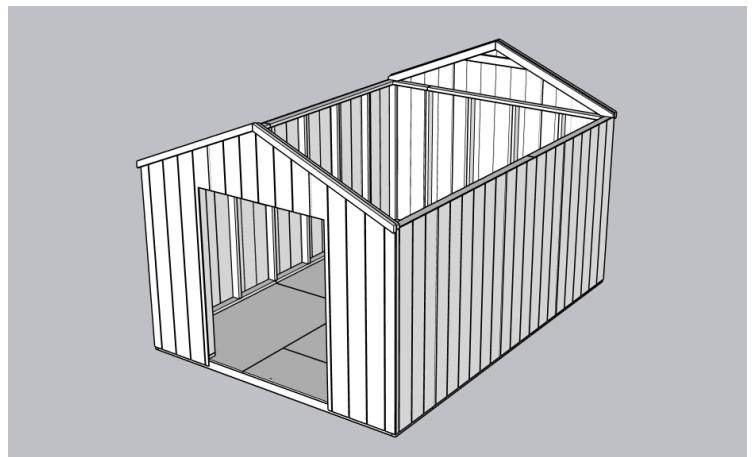
32. Side Wall Installation: Place one side wall at the very edge of the floor, as shown, ensuring that its flush with the ends, and the 3-inch skirting is against the floor. Apply pressure and secure the wall at the bottom from the outside using 2-inch nails. Repeat on the other side.



33. From the inside fasten the sidewalls to the floor using 3-inch nails, spacing every 2 feet.



34. Back Gable Wall Installation: Place wall at the very edge of the floor, ensuring that its flush with the ends, and the 3-inch skirting is against the floor. Apply pressure and secure the wall at the bottom from the outside using 2-inch nails. From the inside, fasten the wall to the floor using 3-inch nails, spacing them every 2 feet.

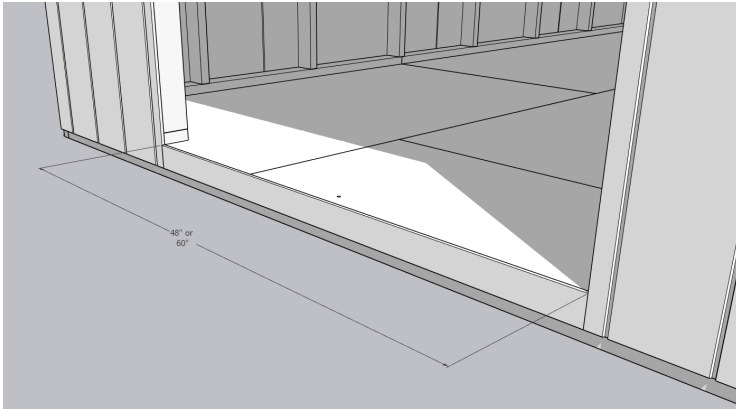


35. Front Gable Wall Installation: Set the front gable wall into position, placing it on the very edge of the floor, and keeping it flush on the sides, but before fastening see the next step.

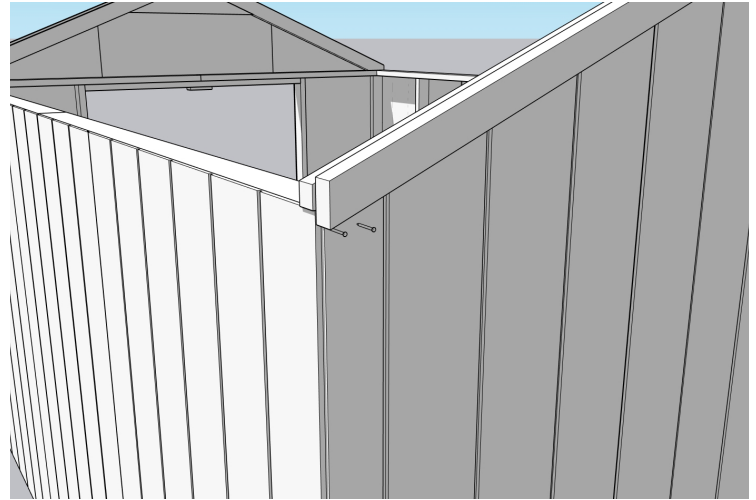


VALUE GABLE ASSEMBLY INSTRUCTION MANUAL

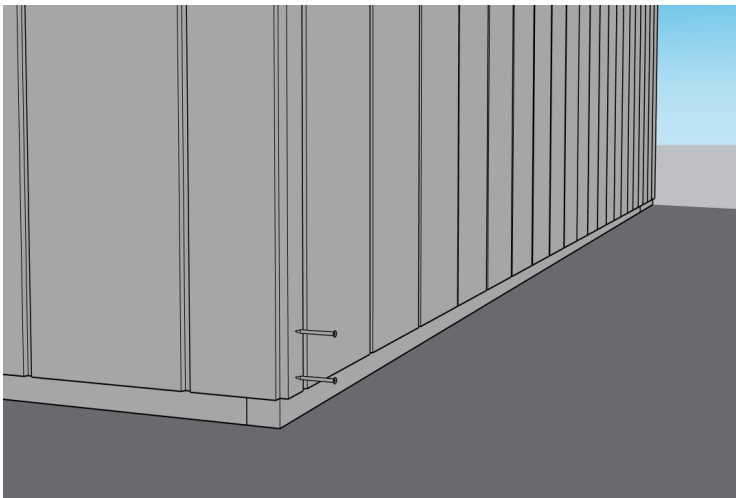
[SUPPORT HOURS: MON.-FRI. 8:00 AM - 4:30 PM EST]



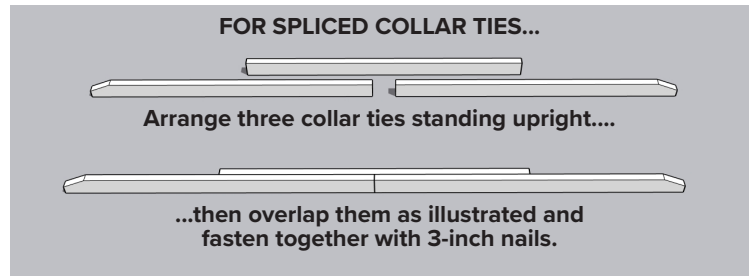
36. Ensure there is a 48-inch or 60-inch gap between the door opening, depending on your building width: 48 inches for 8-foot wide buildings and 60 inches for buildings that are 10 feet or wider. Next, ensure the 3-inch wall skirting is against the floor and apply pressure. Secure it at the bottom from the outside using 2-inch nails. From the inside, fasten it to the floor with 3-inch nails, spacing them every 2 feet.



37. Fasten the top corners of the front and back walls from the outside using 2-inch nails.



38. Fasten the bottom corners of the front and back walls from the outside using 2-inch nails.

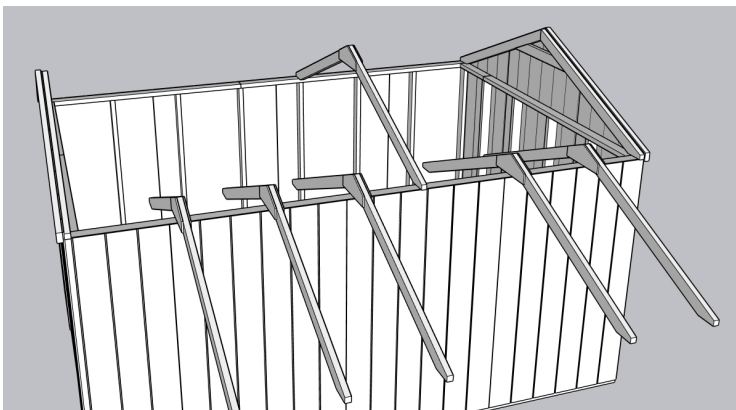


39. Next locate the collar tie(s). Check your packing lists for collar tie amounts/pieces. *Note: 8x8, 8x10, 8x12, 10x10, 10x12, and 12x12 units will not get collar tie(s).*

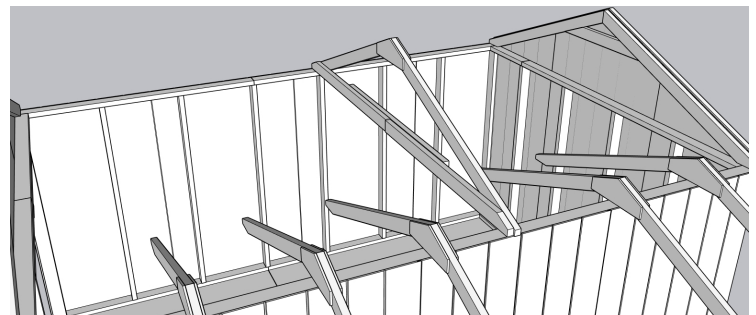
You may need to splice your collar ties together depending on what size building you have. See below...

- 8x14 and 8x16 units will have one collar tie and wont need spliced.
- 10x14 thru 10x20 & 12x14 thru 12x20 units will have three pieces which will make one collar tie after it is spliced together.
- 12x24 units will have six pieces which will make two sets of collar ties after they are spliced together.

To splice, overlap the three pieces as shown above and nail together using 3-inch nails.



40. Next hang rafters on the wall. **NOTE:** The number of rafters needed can vary based on the size of your building. Check packing list for amounts needed. **Before installation, measure the building's width (8', 10', or 12', depending on your building size) and adjust the walls as necessary to ensure the correct width, this helps prevent roof sagging.** Fasten one rafter to the pre-marked top plate nearest to the center of the building.



41. Collar Tie Installation: **To prevent the peak from sagging, collar ties must be installed for specified size units.** Using the position placement listed below, set the collar ties into place onto the top plate.

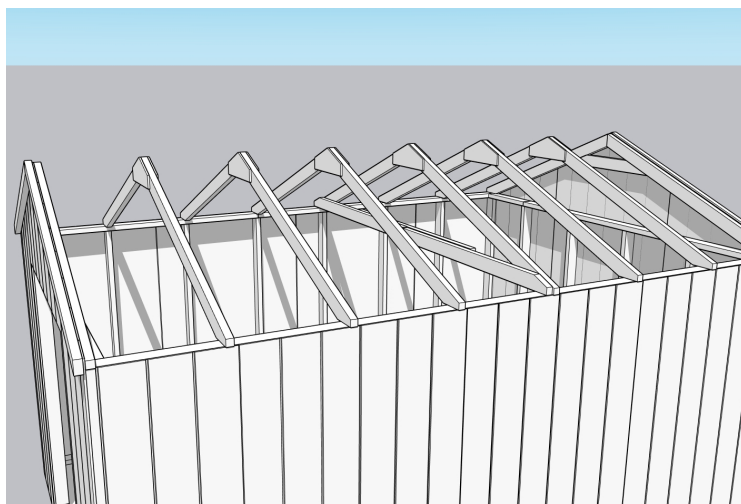
For 8x14, 8x16, 10x14, 10x16, 10x18, 10x20, 12x14, 12x16, 12x18 and 12x20 units one collar tie will go in the center of the building. Verify the building's width measurement is correct, then place the collar tie up against the center rafter. Fasten collar tie to rafter using 3-inch nails.

For a 12x24 unit, verify the building's width measurement is correct. Install two rafters 8 feet in from each end of the building on the pre-marked top plate, then place a collar tie against each of the two rafters. Fasten the collar ties to the rafters using 3-inch nails.

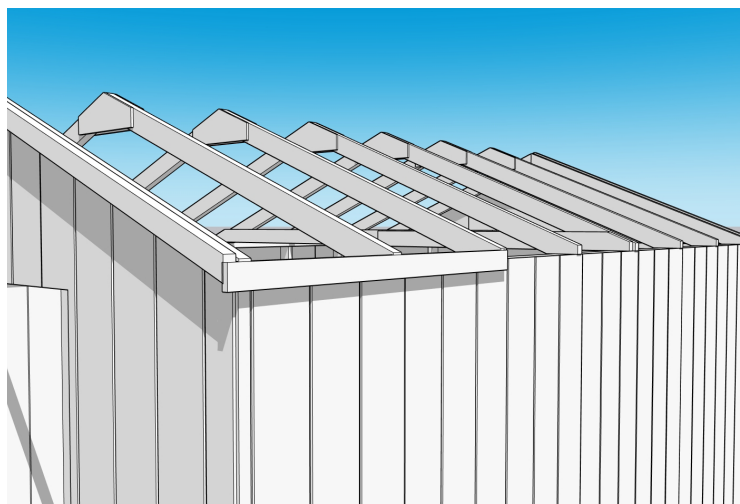


VALUE GABLE ASSEMBLY INSTRUCTION MANUAL

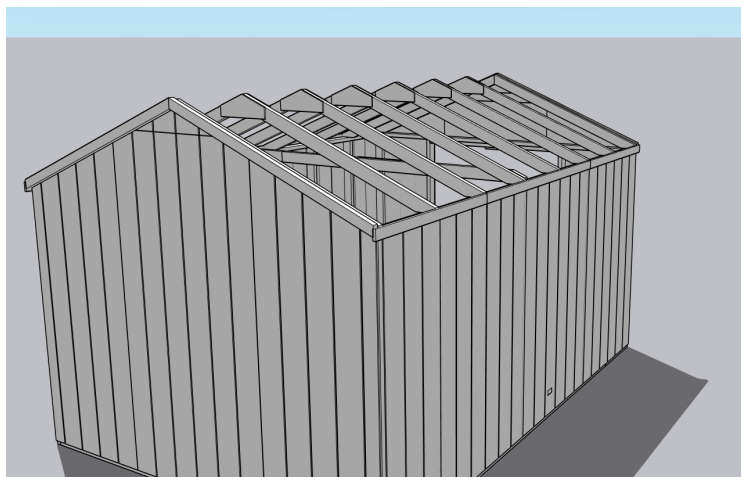
[SUPPORT HOURS: MON.-FRI. 8:00 AM - 4:30 PM EST]



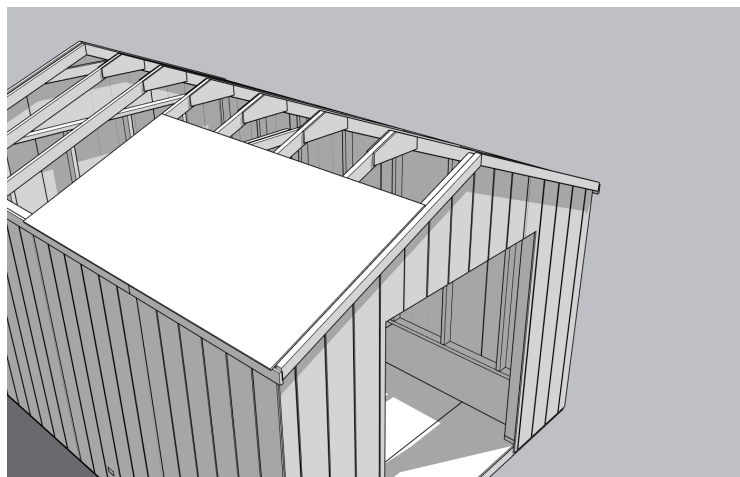
42. Install the remaining rafters, making sure they are 24-inch on center before fastening with 3-inch nails.



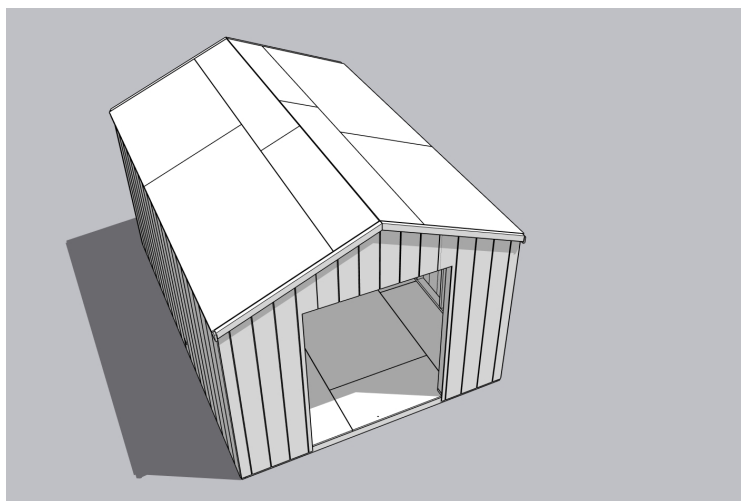
43. Installing Trim: Locate and install 2-3/4-inch trim on the one side of the building, keeping it flush with the outside of the rake and fasten with 2-inch nails.



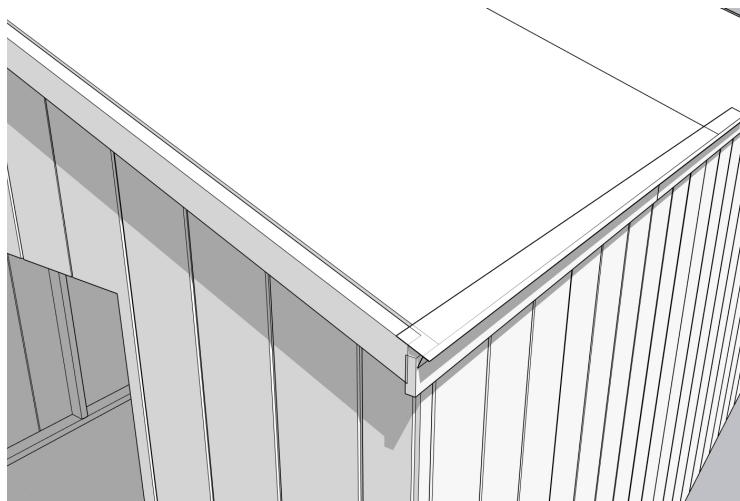
44. Continue installing the trim on the opposite side of the building in the same manner.



45. Installing Roofing Sheathing: Locate roof sheathing. Referring to your ROOF LAYOUT DIAGRAM sheet. Arrange the roof sheathing as illustrated in the diagram, making sure the rafters are spaced 24 inches apart, then secure them with 2-inch nails



46. Continue with roof sheathing until its complete on both sides.

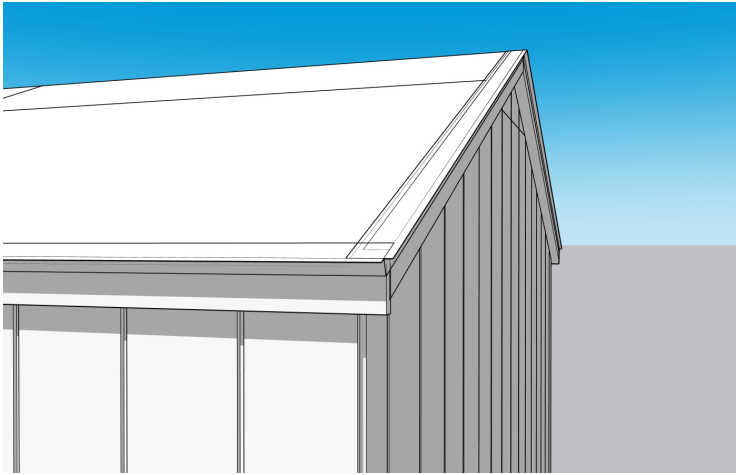


47. Next you will be installing the drip edge. Drip edge is not included in kit, see Packing List for the amount needed to purchase.

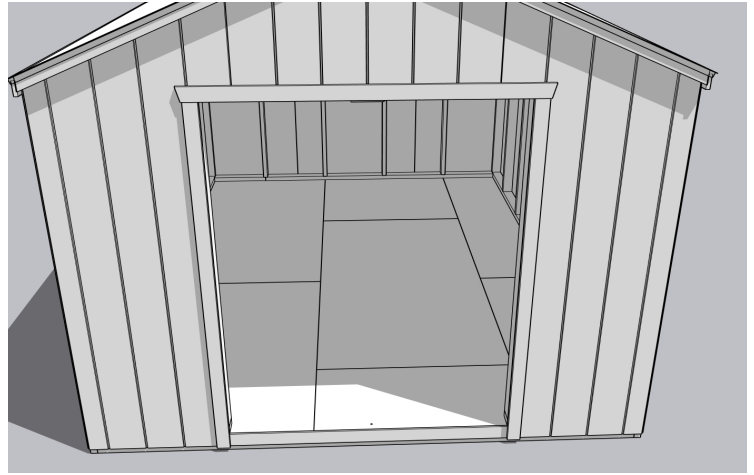


VALUE GABLE ASSEMBLY INSTRUCTION MANUAL

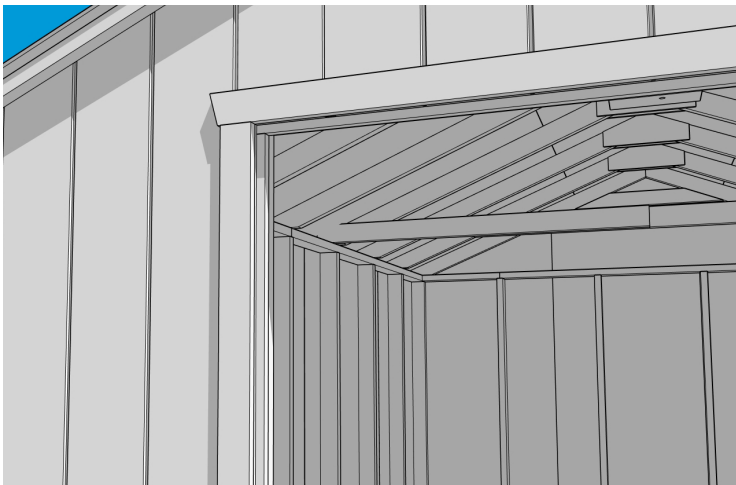
[SUPPORT HOURS: MON.-FRI. 8:00 AM - 4:30 PM EST]



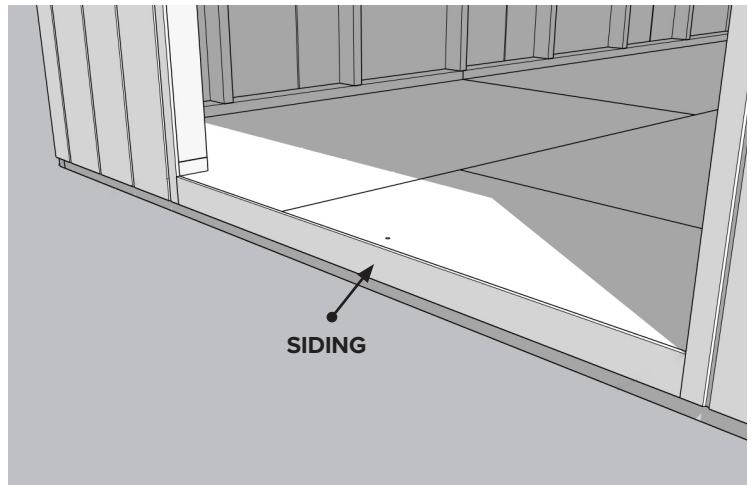
48. Fasten the drip edge around the roof's perimeter using 3/4-inch nails, spaced 12 inches apart along the entire edge of the building. Use tin snips to notch the face of the drip edge at each hip point to help with bending at these locations.



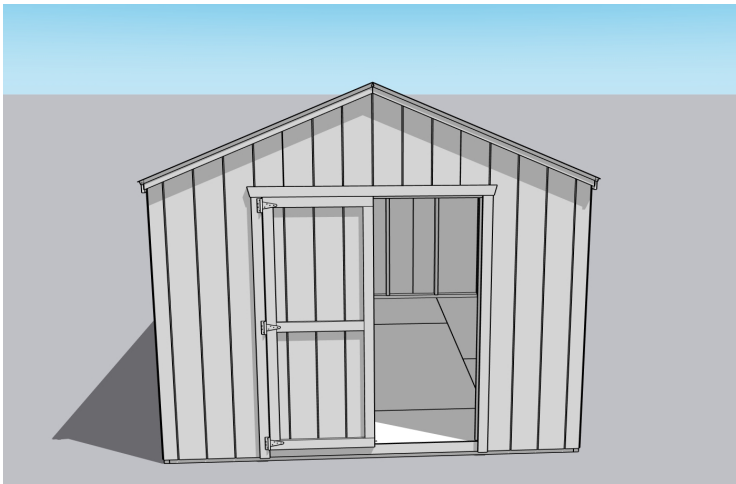
49. Locate the three pieces of door trim that will be installed around the door opening.



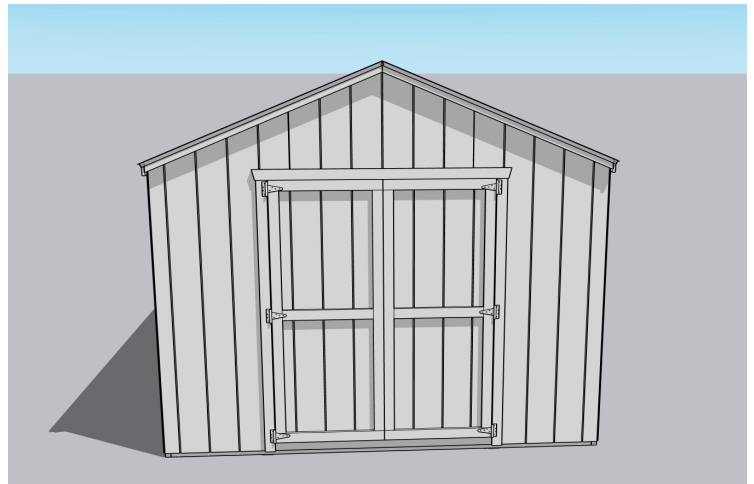
50. Position the top piece of trim as illustrated, keeping it flush with the edge of the opening fasten with 2-inch nails. Next, align the side trim up against the top trim, keeping it flush with the edge of the opening and fasten with 2-inch nails, repeat on the other side.



51. Locate the 3-inch siding piece(s) for beneath the door. Ensure it is flush with the top of the floor, then secure it with 2-inch nails.



52. Door Installation: Locate the two doors. Position the left door into place, leaving a 1/8-inch gap (the width of your speed square) between the door and the top trim. Ensure the door fits snugly against the trim on the hinge side.

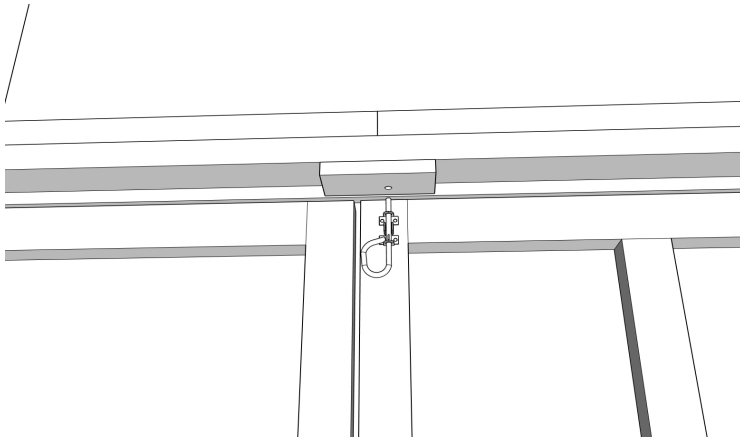


53. Fasten the door using (2) 2-1/2-inch black headed screws, per hinge, then fill in the remaining screw holes with 1-1/4-inch screws. Repeat installation on the opposite side in the same manner, making sure the doors align in the center and on top.

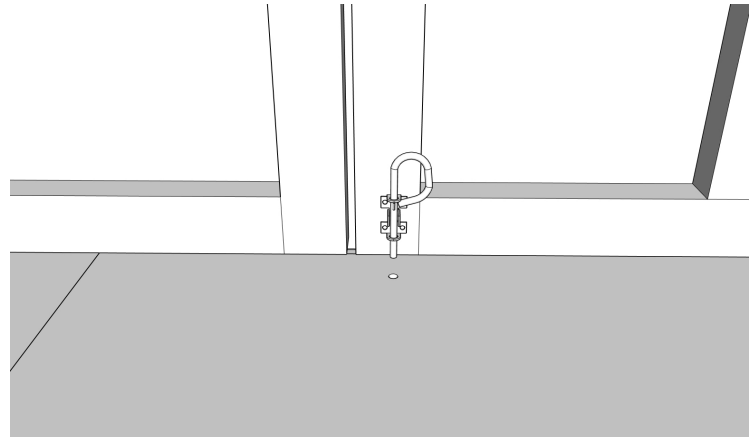


VALUE GABLE ASSEMBLY INSTRUCTION MANUAL

[SUPPORT HOURS: MON.-FRI. 8:00 AM - 4:30 PM EST]



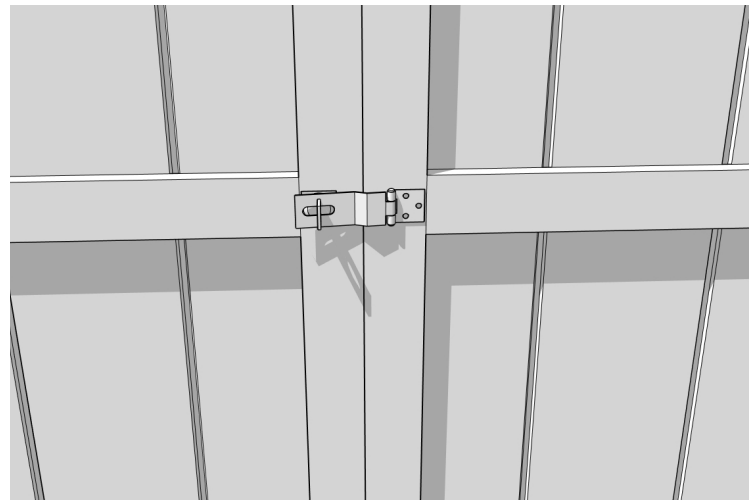
54. Barrel Bolt Installation: From the inside, use 1-1/4-inch screws to install the barrel bolt at the top left of the right-hand door, with the barrel facing upwards. With the door closed, tap the barrel bolt against the barrel bolt block to leave a mark. Drill a hole at the mark using a 5/16-inch drill bit, then slide the barrel into the hole to lock it.



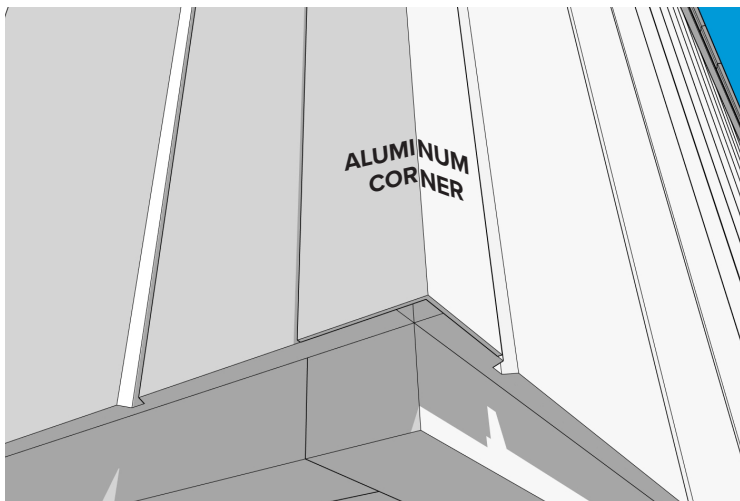
55. Next, use 1-1/4-inch screws to install the barrel bolt at the bottom left of the right-hand door, with the barrel facing downwards. With the door closed, tap the barrel bolt against the floor to leave a mark. Drill a hole at the mark using a 5/16-inch drill bit, then slide the barrel into the hole to lock it.



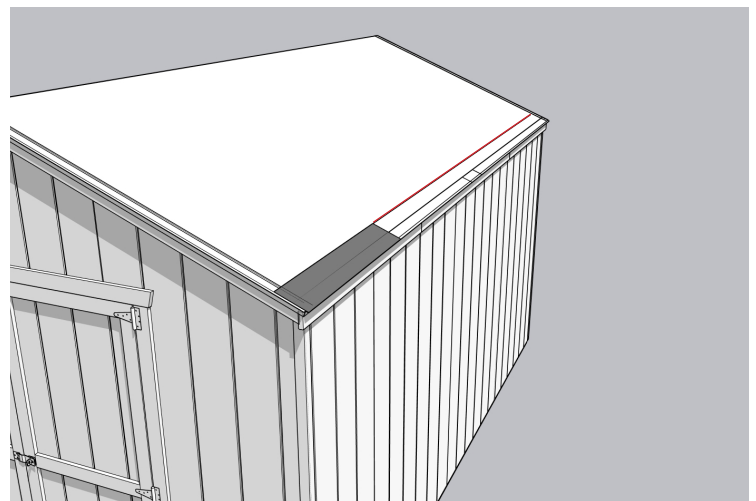
56. Door Latch Installation: Locate the door latch and install one half of it on one of the doors as illustrated. Fasten it with 1-1/4-inch screws.



57. Align and install the other half of the latch on the opposite door.



58. Aluminum Corner Installation: Locate the four aluminum corners. Attach one piece to the outside of each corner of the building, fastening them with white finish nails.

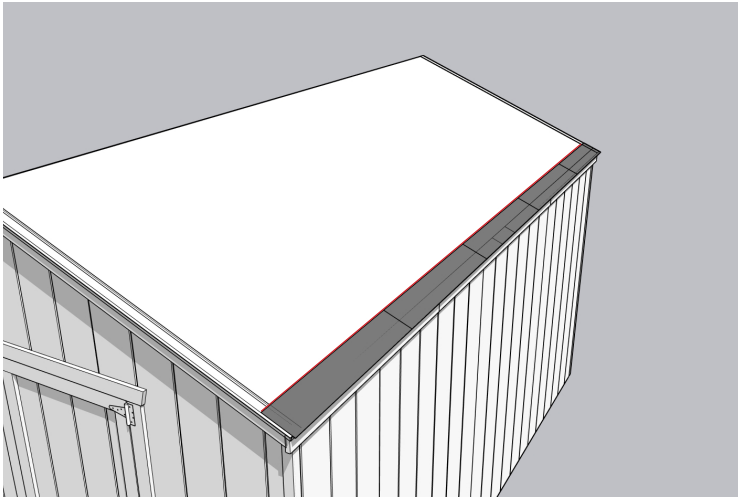


59. Shingle Installation: Shingles are not included in your kit. Refer to the Packing List for the quantity needed to purchase. Follow the instructions provided with your shingle package.

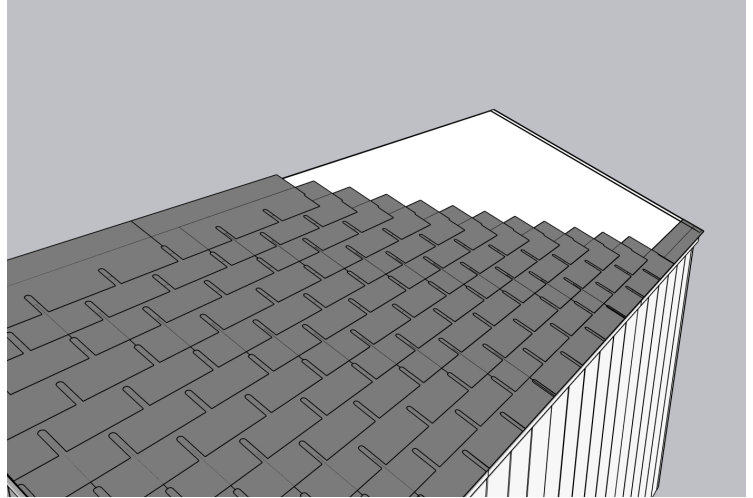


VALUE GABLE ASSEMBLY INSTRUCTION MANUAL

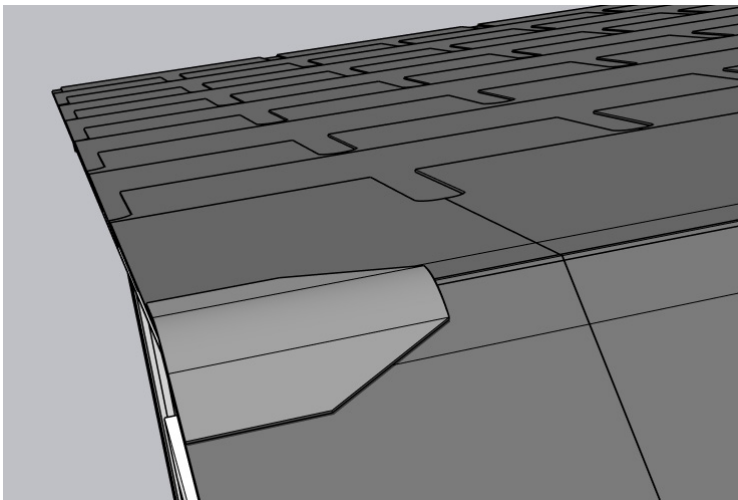
[SUPPORT HOURS: MON.-FRI. 8:00 AM - 4:30 PM EST]



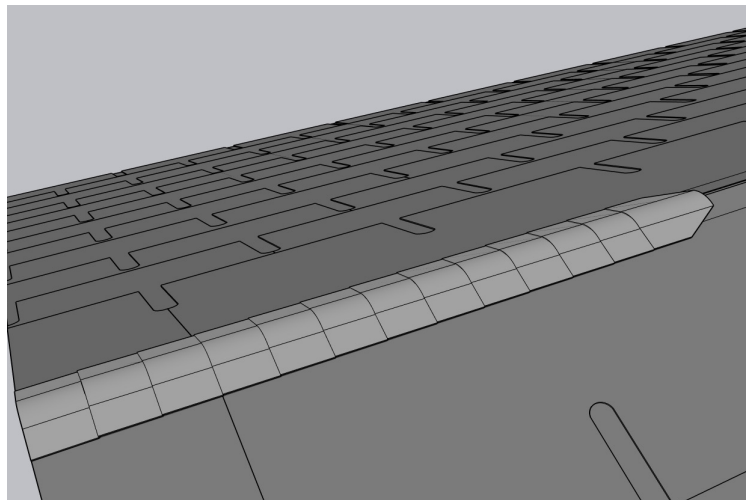
60. Start by chalking a line on both sides of the roof. Install the first starter strip of shingles along the chalk line.



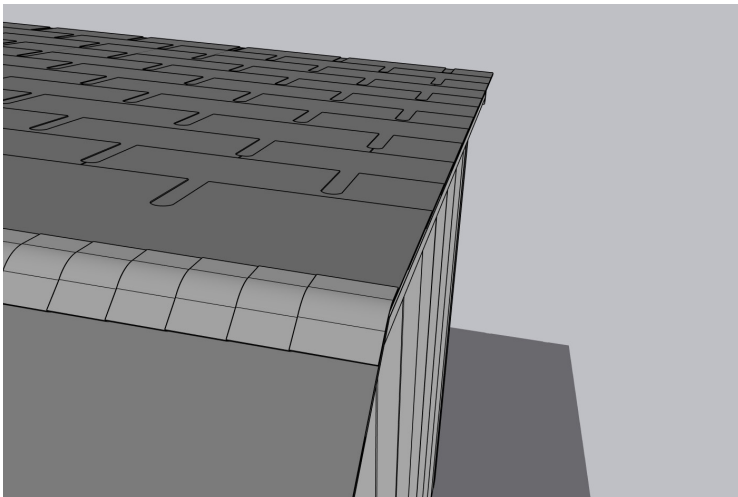
61. Continue to install the remaining shingles in a staggered fashion until both sides of the building are complete.



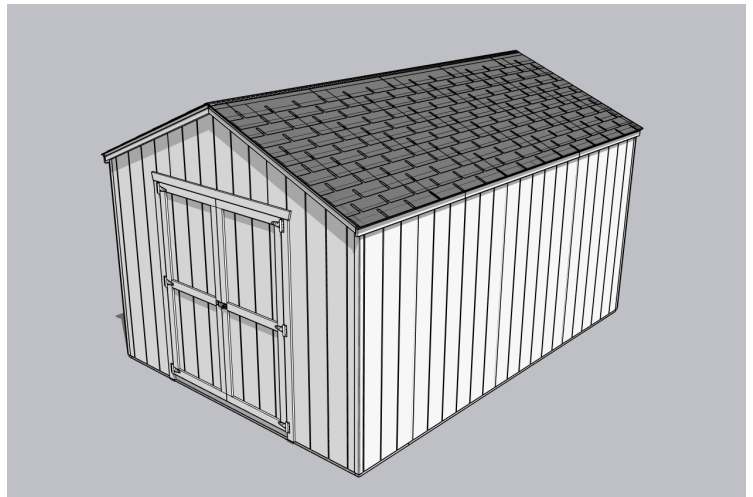
62. After installing all the shingles on both sides of the roof, proceed with the ridge cap installation. Cut the first ridge cap as illustrated and place it at the peak of the building.



63. Continue installing the remaining ridge caps so they overlap along the ridge.



64. Install the final shingle end cap. If needed, trim a smaller cap (without the adhesion strip) to ensure it fits properly.



65. Construction is now complete and your primed building is now ready for paint. Refer to the Kit Packing List for the required paint quantities to purchase.