



NGALA
TRADING

LIZ PENDANT LIGHT - LARGE

The Liz Pendant is handcrafted in South Africa and designed by Mash.T Design Studio. Woven from draw cord and adorned in a colorful, intricate pattern of wooden beading, this piece will stand out in the mind's eye as a piece of art.

Its hard-wired lighting is UL-listed for dry locations. Not suitable for outdoor use.
9' of cord supplied with each pendant.

MATERIALS AND CONSTRUCTION

Mild steel
Beads
Rope

DIMENSIONS

21.5" Dia. x 18" H

CEILING CANOPY

5" Dia.
Black

CORD & MOUNTING CABLES

1 x 9' L
Black Cotton Covered

WEIGHT

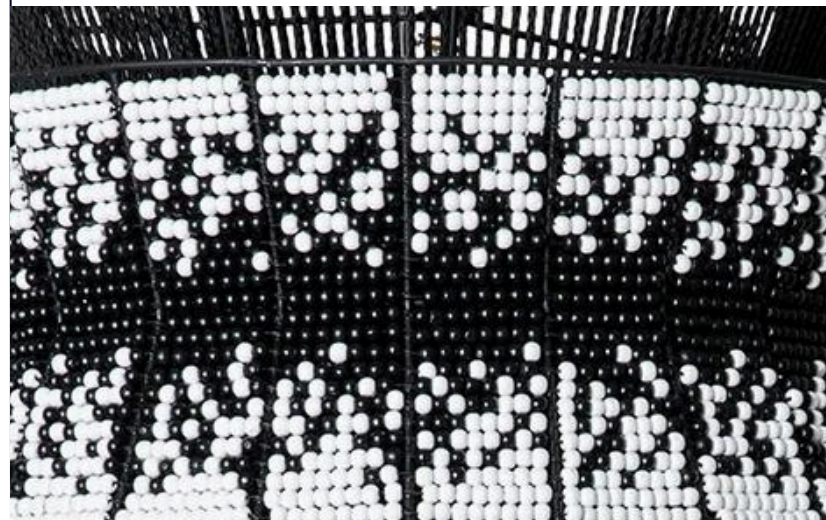
Approximately 14 LBS

BULB SPECIFICATION (BULB NOT INCLUDED)

Type: LED only
Base: E26 (Standard Edison)
MAX Wattage per bulb: 7w LED
Number of bulbs required: 1

MANUFACTURER

MASH.T
DESIGN STUDIO





FINISH COLORS



Yellow

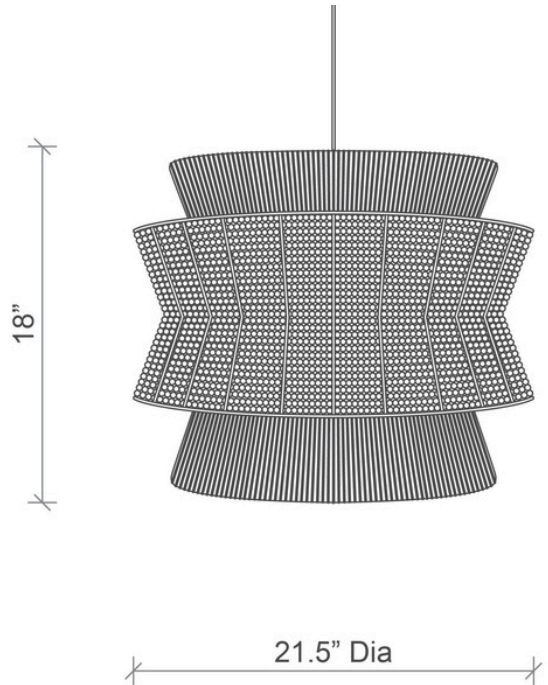


Monochromatic

Due to the handmade nature of production methods and the use of natural materials, each product may vary slightly in bead and draw cord coloring.

SPECS

21.5" DIA X 18" H



SHIPPING AND DELIVERY

- Durably wrapped and boxed
- Natural finish stocked and available for immediate delivery
- Back-order / Special-order items available for domestic shipping 12-14 weeks from receipt of deposit
- Ships via ground carrier

INSTALLATION AND CARE

- Chandelier arrives ready to hang hardwired into standard 4" x 4" junction box.
- Refer to installation instructions for full details.