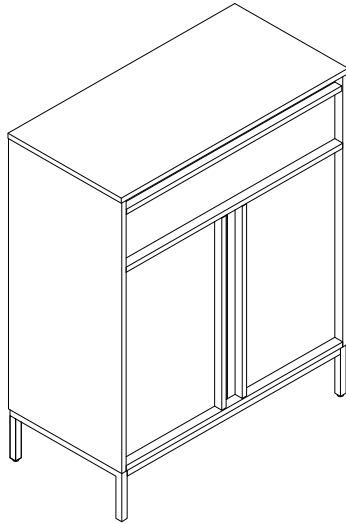


Small Sideboard

ASSEMBLY GUIDE



Important - Please read these instructions fully before starting assembly



SAFETY AND CARE ADVICE



NO POWER TOOLS

SAFETY AND CARE ADVICE

- Check you have all the components and tools listed.
- Remove all fittings from the plastic bags and separate them into their groups.
- We do not recommend the use of power drills/drivers for inserting screws, as this could damage the unit. Only use hand screwdrivers and Allen keys.
- Keep children and animals away from the work area, small parts could cause choking if swallowed.
- Make sure you have enough space to lay out the parts before starting.
- Assemble the item as close to its final position (in the same room) as possible.
- Do not overtighten the nuts to avoid causing damage to the threads.
- Only clean using a damp cloth and mild detergent, do not use bleach or abrasive cleaners.
- From time to time check that there are no loose screws on this unit.
- This product should not be discarded with household waste. Take to your local authority waste disposal centre.
- **Warning:** Unfixed furniture may tip over. We strongly advise you use the anti-tipping kit provided to secure your shelves to the wall. Please use appropriate fixings for your wall and get professional advice if unsure.

IMPORTANT INFORMATION



30 MINUTE
BUILD



TWO
PERSON



MAXIMUM
CAPACITY 80Kg

PLEASE CHECK CAREFULLY AND MAKE SURE YOU HAVE ALL FITTINGS AND TOOLS LISTED BELOW BEFORE YOU START.

DESCRIPTION	PART NAME	Q'ty(PCS)
①		1
②		1
③	 L=758MM	1
④	 L=590MM	2
⑤		2
⑥		2

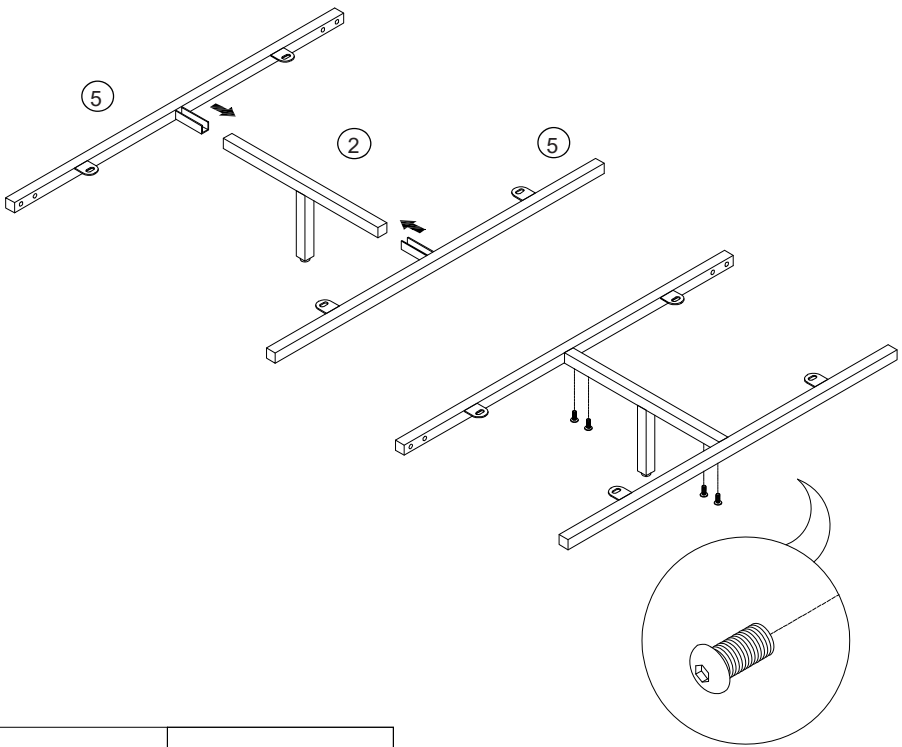
Parts for Leg Assembly

A		BOLT M6*12MM	6 PCS
B		BOLT M6*16MM	12 PCS
C		ALLEN KEY	1 PC
D		BOLT M4*20MM	9 PCS

NOTE: The quantities above are the correct amount to complete the assembly. In some cases more fittings may be supplied than are required.

STEP 1

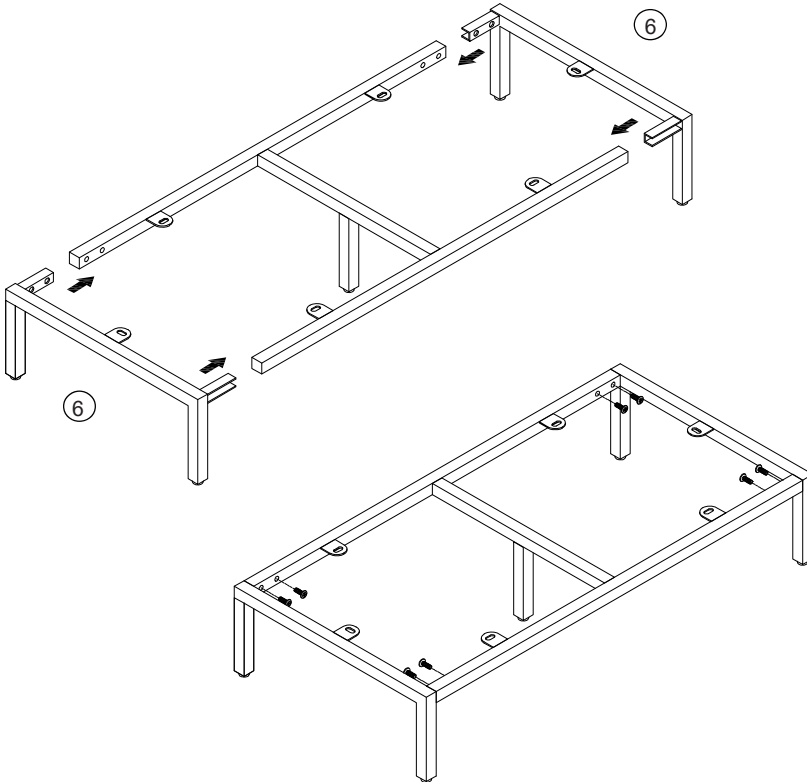
Use a clean, flat, soft surface to avoid any bumps or scratches.
Attach center leg [2] and 2 x long support tubes [5] using 4 x bolts [B].
Tighten bolts [B] with Allen Key [C].

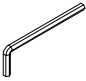
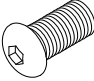


C	4#	1pc	B	M6x16	4pcs

STEP 2

Attach 2x legs [6] to the ends of long support tubes [5] using 8 x bolts [B]. Tighten bolts [B] with Allen Key [C].



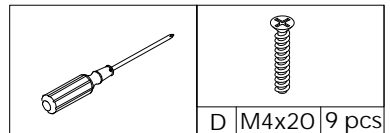
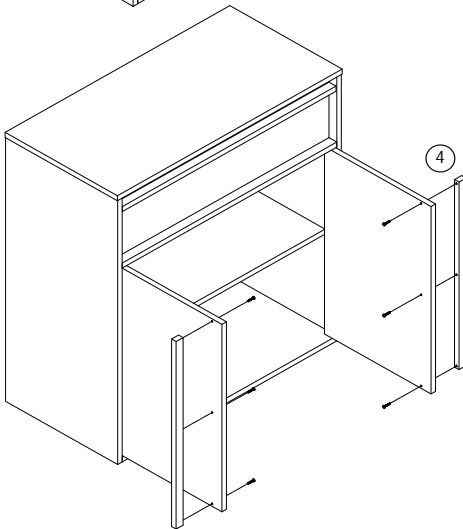
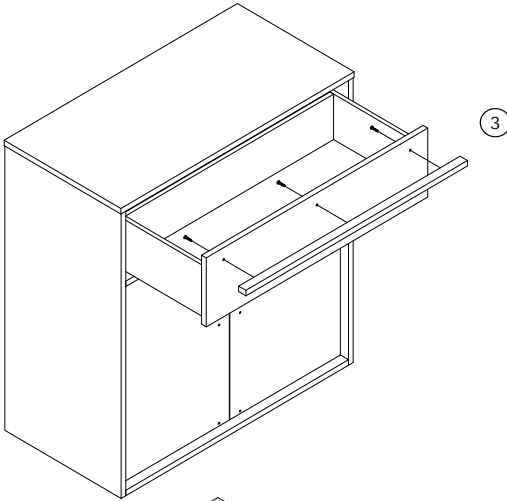
				
C	4#	1pc	B	M6x16 8pcs

STEP 3

Carefully unpack the assembled sideboard.

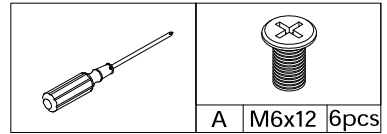
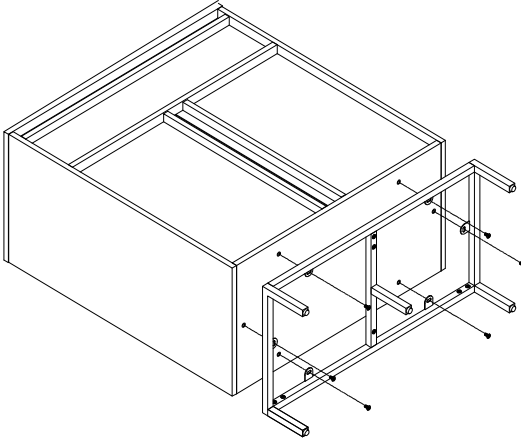
Attach 1x handle [3] to the drawer front with 3 x bolts [D] using a screwdriver.

Attach 1x handle [4] to each door with 3 x bolts [D] using a screwdriver.



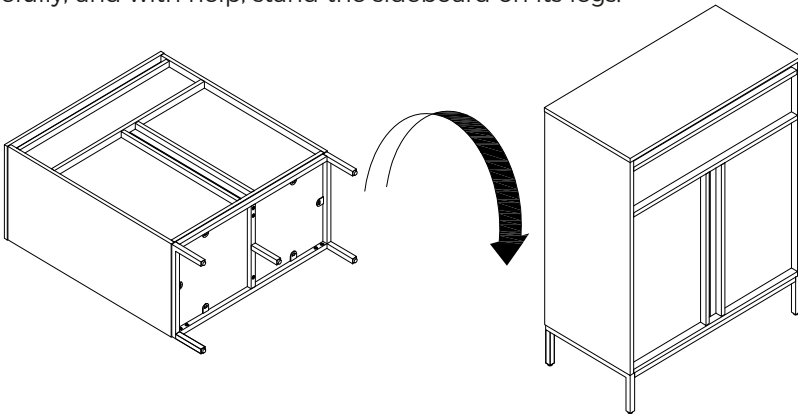
STEP 4

Carefully, place your sideboard on its back on a soft surface. Attach the assembled leg frame onto the bottom of the sideboard with 6 x bolts [A]. Fully tighten all Bolts using a screwdriver.



STEP 5

Carefully, and with help, stand the sideboard on its legs.



STEP 6

Anti Tipping Kit Instructions

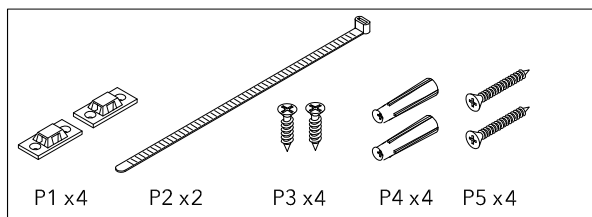
Warning: Unfixed furniture may tip over. We strongly advise you use the anti-tipping kit provided to secure your furniture to the wall. Please use appropriate fixings for your wall and get professional advice if unsure.

The plastic anchors are designed for fixing to concrete walls only.

Please use appropriate fixings for your wall and get professional advice if unsure.

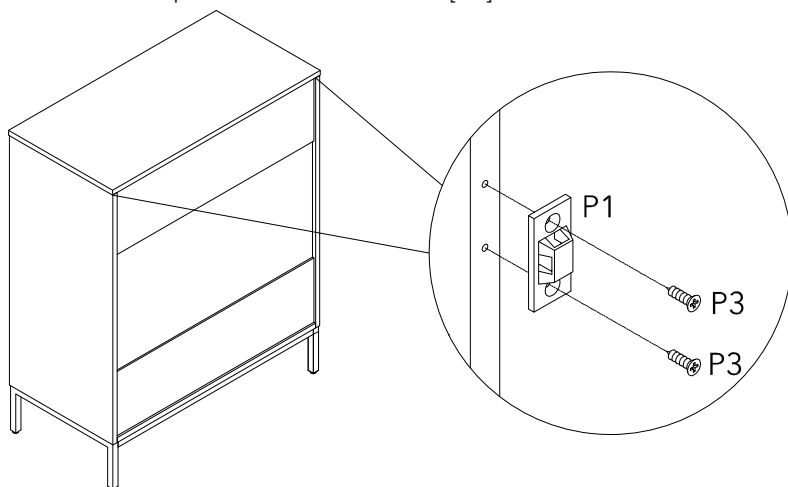
Hardware

- 4x Plastic brackets (P1)
- 2x Zip ties (P2)
- 4x Screws M4 *16 (P3)
- 4x Plastic anchor $\text{\O}6*30$ (P4)
- 4x Wall screw M4 *40 (P5)



STEP 7

We recommend the plastic connectors be fitted just below the top of the unit to remain invisible when the unit is in place. Fasten 2x Plastic brackets [P1] to the back of the side panels with 4 x screws [P3].



STEP 8

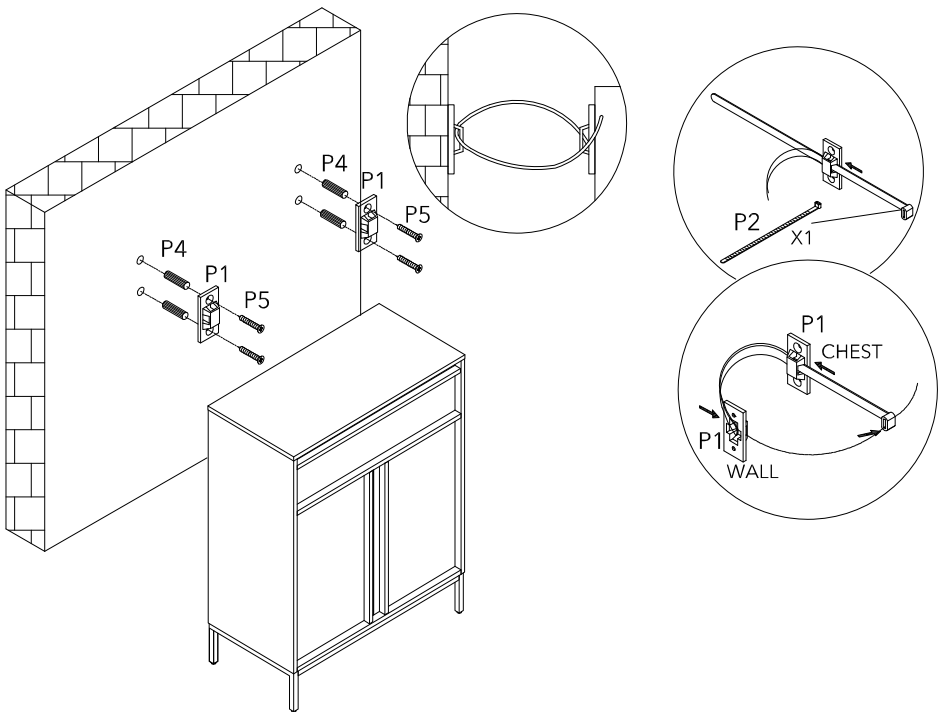
With help, move the sideboard into position. Mark fixing holes on wall and remove the chest

Carefully drill holes in the wall. Fix plastic brackets [P1] to the wall with 4 x plastic anchors [P4] and 4 x wall screws [P5].

Move the sideboard closer to the wall, and pass flat end of the cable tie through the plastic bracket [P1] on the wall, then loop the cable tie through the bracket [P1] on the sideboard. Insert the flat end of the cable tie into the buckle of the cable tie, then tighten the cable tie.

Ensure everything is secure.

Your sideboard is now secured to the wall and ready to use.





OUR 2 YEAR GUARANTEE

our products come with a 2 year guarantee to give you peace of mind shopping

some garden furniture items have a 1 year guarantee



WHAT THE GUARANTEE COVERS



PRE-INSERTED FIXINGS

e.g. loose metal threads



FAULTY JOINTS

e.g. legs bending



EXTERNAL FIXING FAULTS

e.g. metal discs removing from table top



STRUCTURAL INTEGRITY

e.g. the frame of the product