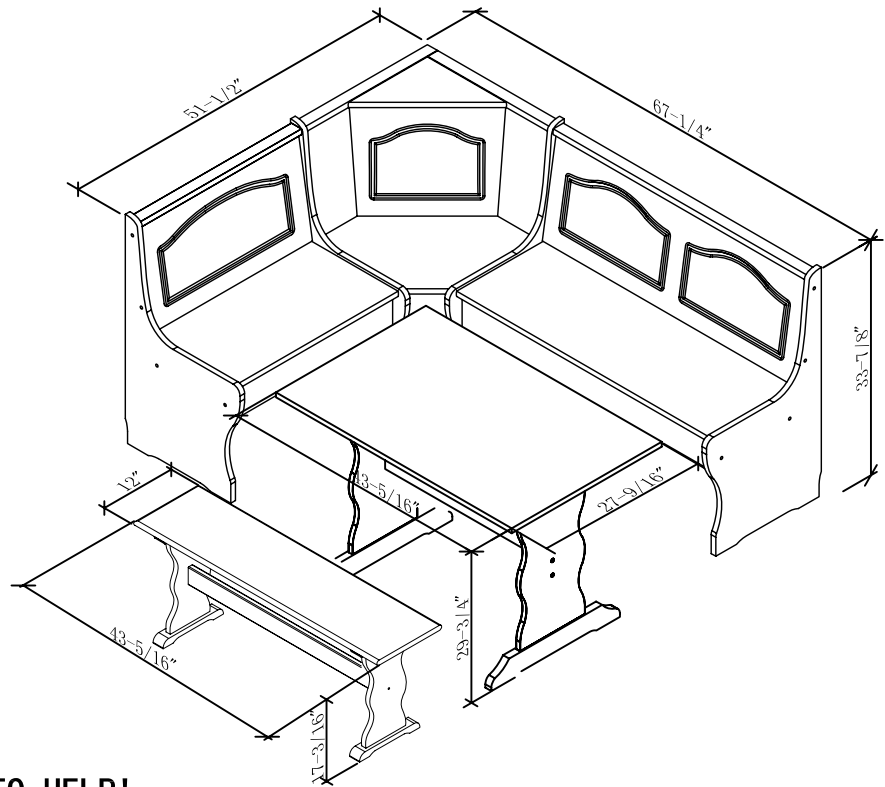


ASSEMBLY INSTRUCTION




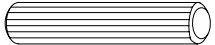
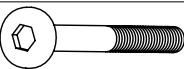




WE ARE HERE TO HELP!

HARDWARE PACKAGE COUNT (SIMPLE BENCH)

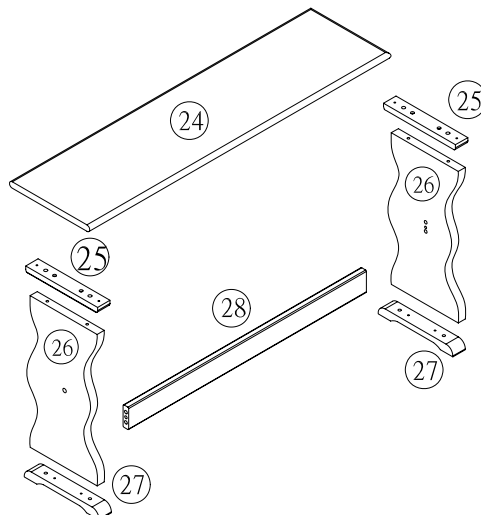
OPEN HARDWARE PACKAGE ON A FLAT SURFACE COVERED WITH NEWSPAPER. COUNT EACH PIECE OF HARDWARE TO MATCH THE QUANTITY NUMBER IN THE HARDWARE IDENTIFICATION COLUMN. CALL CUSTOMER SERVICE IF ANY PARTS ARE MISSING . FOLLOW THE LETTER IDENTIFICATION WHEN READING THE ASSEMBLY DRAWING "D" THROUGH "J"

HARDWARE IDENTIFICATION

D		SCREW 1"LONG 5X25mm	4
E		SCREW 2"LONG 5X50mm	8
F		WOOD HOLE COVER	2
G		WOOD DOWEL 2"LONG 10X50mm	12
H		SCREW 1-3/4"LONG 6X45mm	2
I		NUT	2
J		ALLEN WRENCH	1

PARTS IDENTIFICATION

- 24- SEAT
- 25- SEAT TOP SUPPORT (X2)
- 26- LEGS (X2)
- 27- SEAT BASE (X2)
- 28- CROSSBAR



STEP 1)

- 1.1 INSERT (12) WOODEN DOWELS (G) INTO HOLES LOCATED AT UPPER END OF LEGS #26 AND CORSSBAR #28 AS SHOWN IN FIGURE 12.

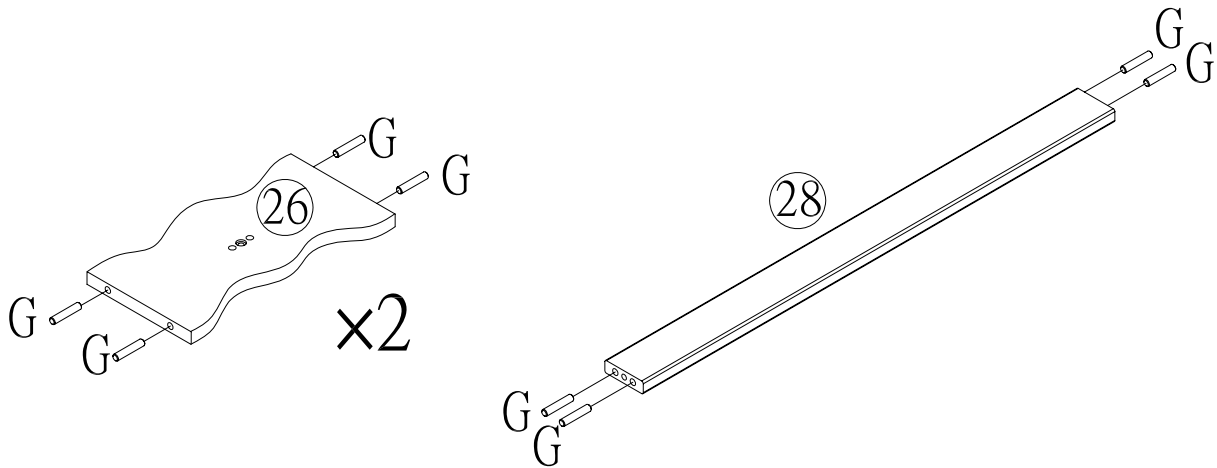


FIGURE 1

STEP 2)

- 1) ATTACH SEAT BASE #27 TO LEG #26 THROUGH FITTING DOWELS LOCATED AT LOWER END OF LEG #26 INTO HOLES LOCATED ON UPPER EDGE OF BASE #27 USING PRE-DRILLED HOLES AS GUIDE, SECURE CONNECTION WITH (02) SCREWS (E). DRIVEN WITH ALLEN WRENCH (J) AS SHOWN IN FIGURE 2. REPEAT PROCEDURE FOR SECOND LEG #26.
- 2) ATTACH TABLE TOP SUPPORT #25 TO LEG #26 FITTING THE DOWELS LOCATED ON UPPER END OF LEG #26 INTO HOLES LOCATED ON SUPPORT #25. USING PRE-DRILLED HOLES AS GUIDE, SECURE CONNECTION WITH (02) SCREWS (E) DRIVEN WITH ALLEN WRENCH (J) AS SHOWN IN FIGURE 2. REPEAT PROCEDURE FOR SECOND TOP SUPPORT #25.

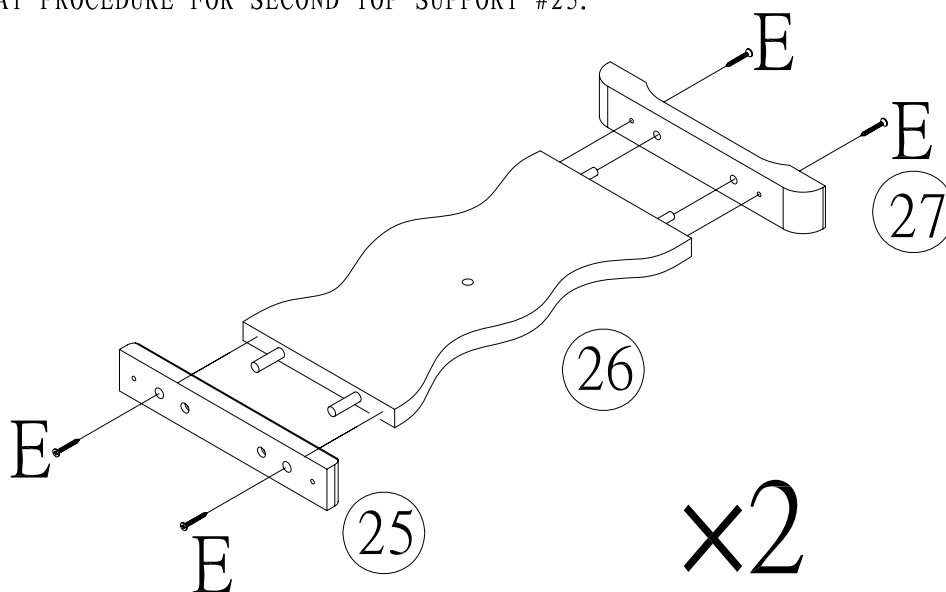


FIGURE 2

STEP 3)

- 1) ATTACH CROSSBAR #28 TO LEGS #26 INSERTING WOOD DOWELS LOCATED AT ENDS OF CROSSBAR INTO HOLES LOCATED ON LEGS. SECURE CONNECTION USING (02) SCREWS(H) AND (02) NUTS(I). AS SHOWN IN FIGURE 3.
- 2) INSERT (02) WOOD HOLE COVERS(F) INTO HOLES LOCATED AT LEGS #26 AS SHOWN IN FIGURE 3.

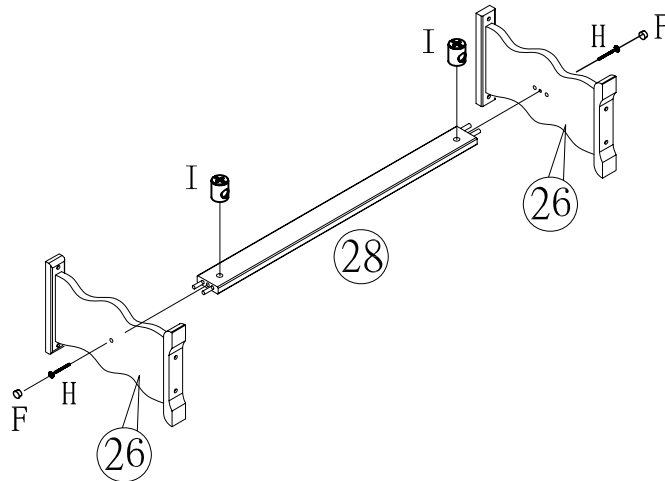


FIGURE 3

STEP 4)

- 1) ATTACH ASSEMBLED LEGS TO SEAT #24 THROUGH FITTING WOOD DOWELS PRESENT IN UPPER SIDE OF SEAT TOP SUPPORTS #25 INTO HOLES LOCATED UNDERNEATH OF SEAT #24 AS SHOWN IN FIGURE 4. IT SERVES AS GUIDE ENABLING YOU TO CONNECT THE LEGS IN CORRECT POSITION.
- 2) USING PRE-DRILLED HOLES AS GUIDE, SECURE CONNECTION WITH (04) SCREWS(D) DRIVEN WITH SCREWDRIVER AS SHOWN IN FIGURE 4.
- 3) USING HELP, GENTLY FLIP SEAT WITH BOTH LEGS ON FLOOR AS SHOWN ON PAGE 1. HOLD ON ALLEN WRENCH(J) AND PREIODICALLY CHECK ALL CONNECTIONS FOR TIGHTNESS.

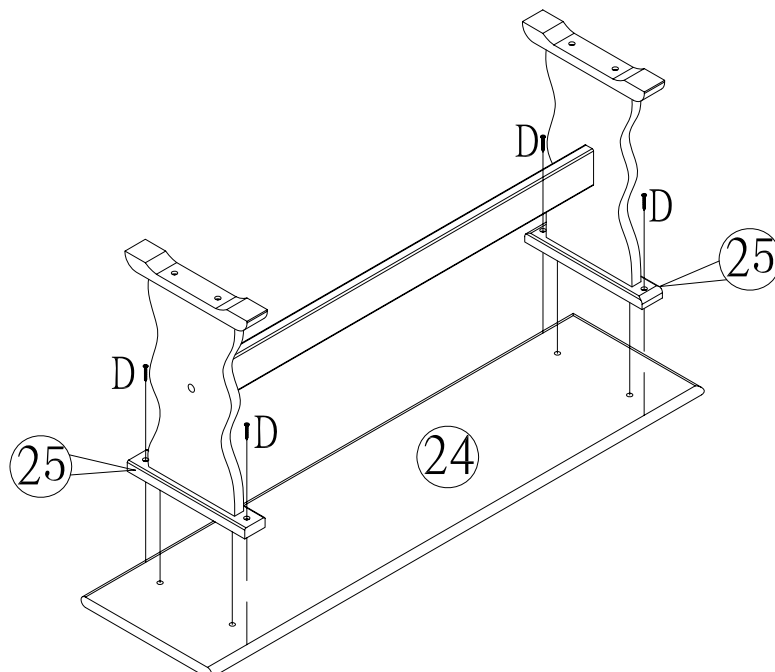


FIGURE 4

WARRANTY

WHAT IS NOT COVERED

HOW TO OBTAIN SERVICE