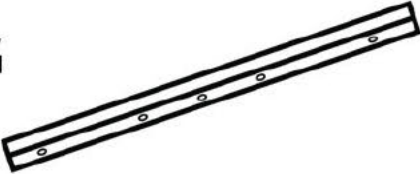




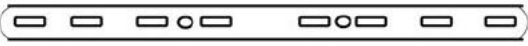







# Vintage Metal Pendant Lamp Assembling Instruction



**G**  1X Ceiling Rose

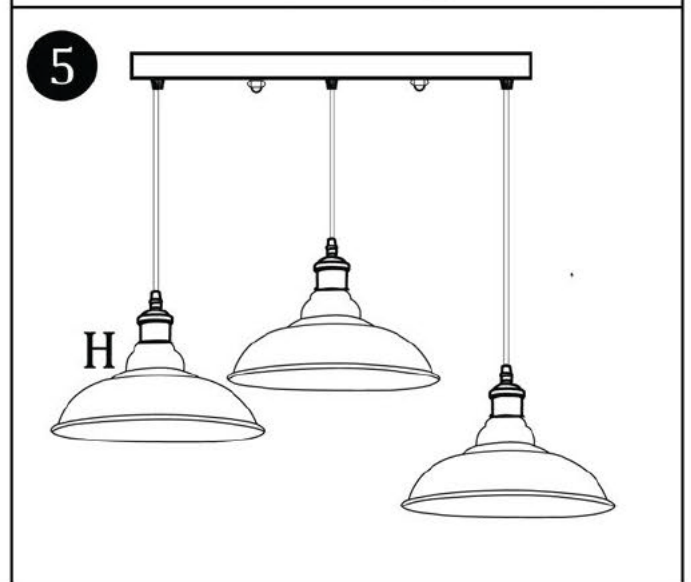
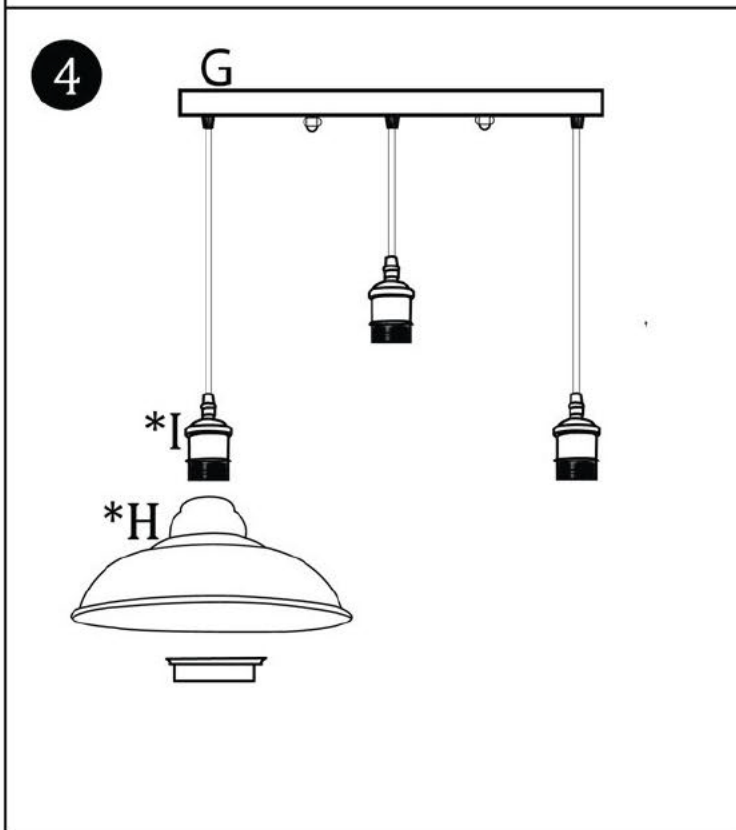
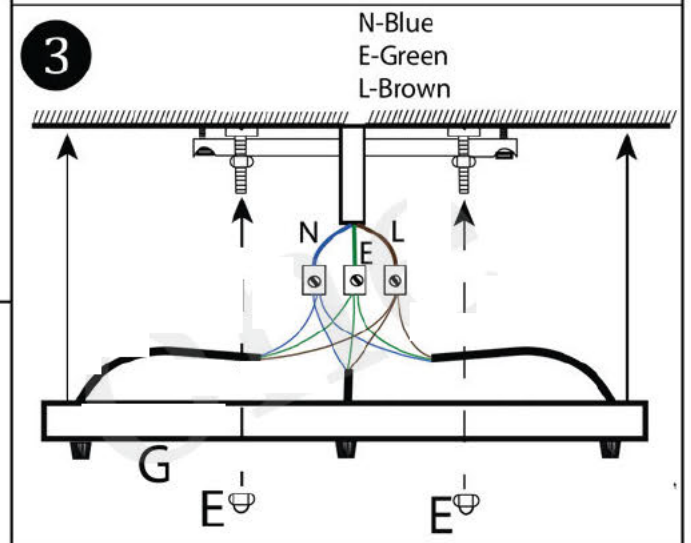
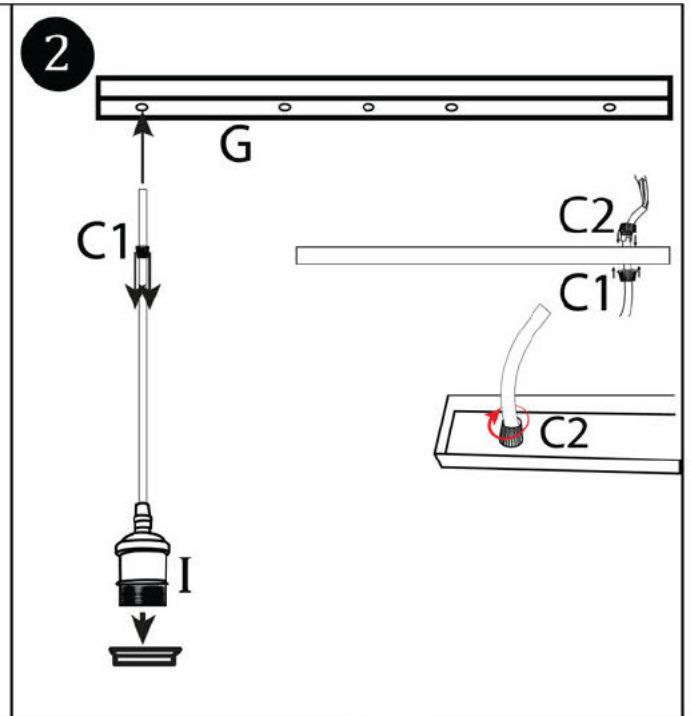
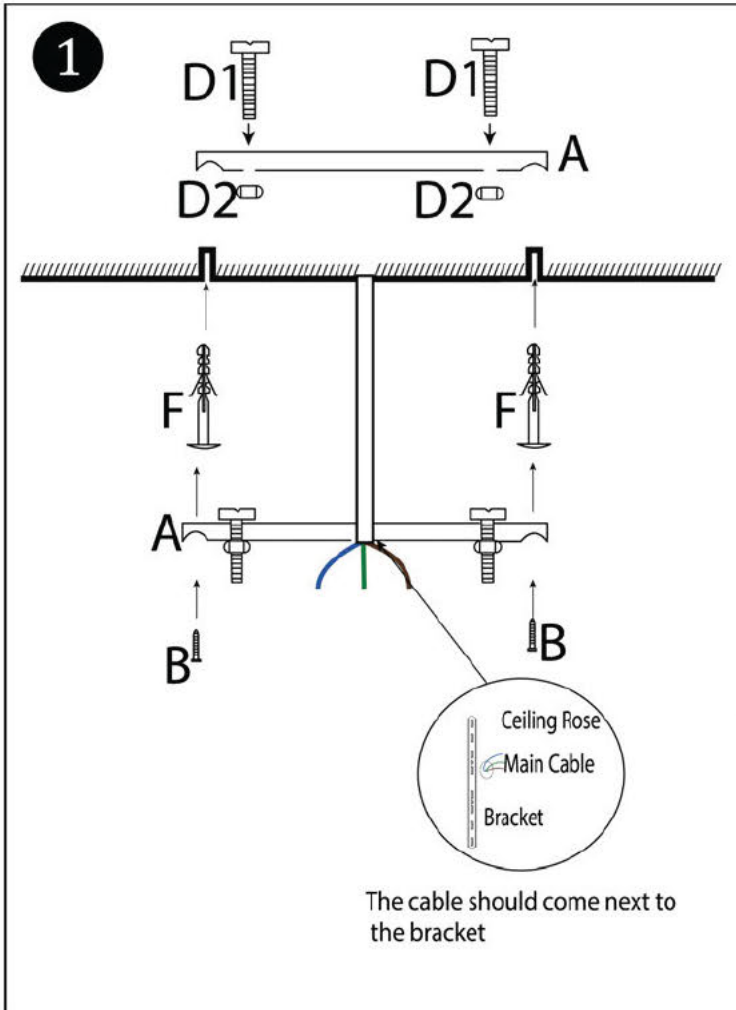
**H**  1X Lamp Shade

**I**  3 X Holder With Cable

A		1
B		2
C1		3
C2		3
D1		2
D2		2
E		2
F		2

\* The relevant explanation is on Page No:1

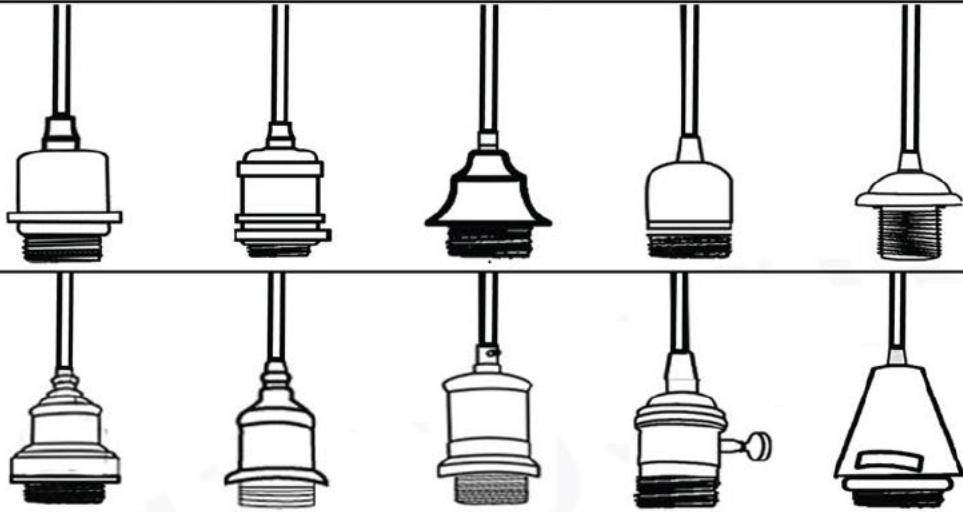
# Vintage Metal Pendant Lamp Assembling Instruction



\* please refer the last page for compatible lamp shades & pendant holders

# Compatible Pendant Holder and Lamp Shade

## Pendant Holder With Cable- H



## Pendant Lamp Shade - J

