

FULL/QUEEN BED ASSEMBLY INSTRUCTION

Thank you for purchasing this quality product. Be sure to check all packing material carefully for small parts which may have come loose inside the carton during shipment. Separate, identify and count all parts and hardware. Compare with the parts list to be sure all parts are present.

IMPORTANT : PLEASE READ INSTRUCTION BEFORE STARTING THE ASSEMBLY.

"DO NOT TIGHTEN SCREWS UNTIL COMPLETELY ASSEMBLED"

"DO NOT OVERTIGHT ANY HARDWARE"

WARNING : SMALL PARTS AND HARDWARE NOT FOR CHILDREN UNDER 3 YEARS. ADULT ASSEMBLY REQUIRED.

TABLE OF CONTENTS

HARDWARES LIST	PAGE 2
PARTS LIST	PAGE 3 - 4
PARTS' LOCATION	PAGE 5
ASSEMBLY STEPS	PAGE 6 - 10
ASSEMBLY COMPLETED	PAGE 10

ASSEMBLY TOOLS REQUIRED

1. Screwdriver (not provide)



2. Hammer (not provide)


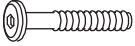
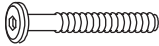










Skip the power drill this time.



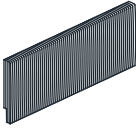
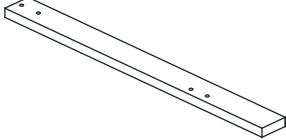
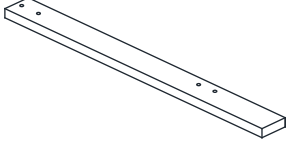
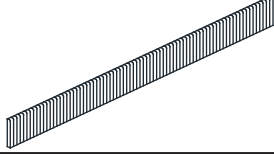

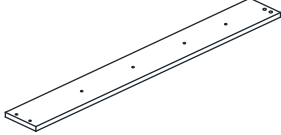
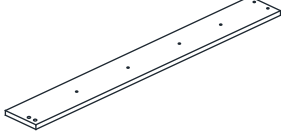
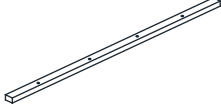

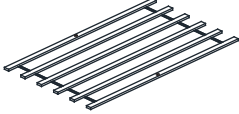

FULL/QUEEN BED ASSEMBLY INSTRUCTION

HARDWARES LIST

ITEM	DESCRIPTION	DRAWING	QTY
A	JCBB SCREW M8 x 16MM		16 PCS
B	JCBC SCREW M6 x 35MM		28 PCS
C	JCBB SCREW M8 x 40MM		4 PCS
D	SPRING WASHER M6 x 12MM		28 PCS
E	FLAT WASHER M6 x 19MM		28 PCS
F	SPRING WASHER M8 x 13MM		20 PCS
G	FLAT WASHER M8 x 22MM		20 PCS
H	CSK C/B SCREW (M4 x 32MM)		12 PCS
I	M5 ALLEN KEY (65MM)		1 PC
J	M4 ALLEN KEY (100MM)		1 PC
K	SUPPORT LEG ADJUSTABLE FEET		5 PCS

FULL/QUEEN BED ASSEMBLY INSTRUCTION


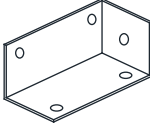
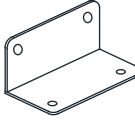
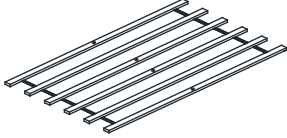
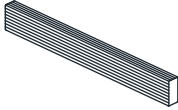
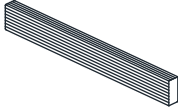
PARTS LIST

ITEM	DESCRIPTION	DRAWING	QTY
1	HEADBOARD		1 PC
2	HEADBOARD LEG (L)		1PC
3	HEADBOARD LEG (R)		1PC
4	FOOTBOARD		1PC
5	FOOTBOARD LEG		2 PCS
6	SIDE RAIL (L/R)		2 PCS
7	SIDE RAIL (L/R)		2 PCS
8	SIDE RAIL SUPPORT		4 PCS
9	SIDE RAIL LEG		2 PCS
10	SLAT		1 PC
11	CENTER SUPPORT		1 PC

MORE PARTS DETAIL IN NEXT PAGE...

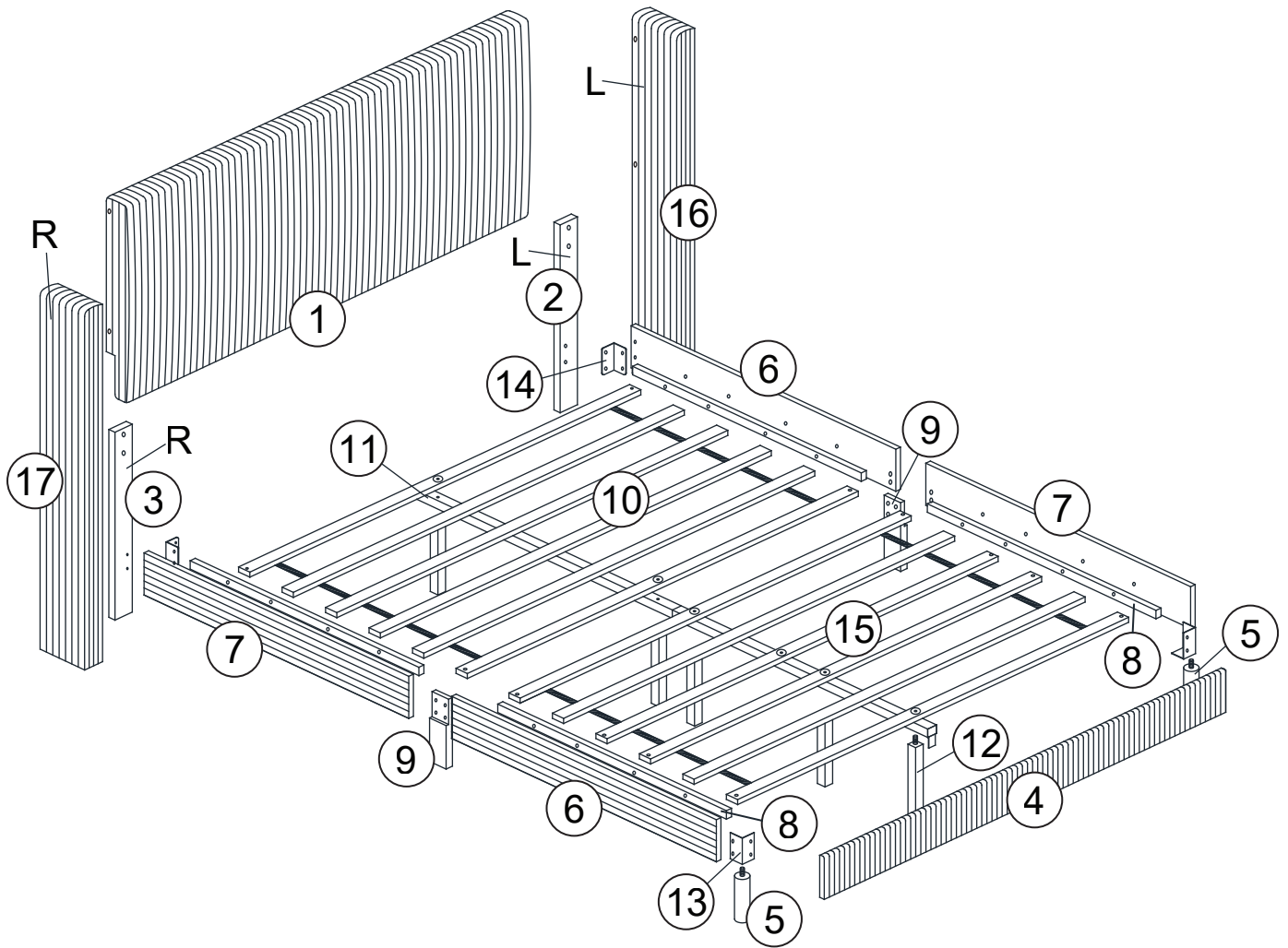
FULL/QUEEN BED ASSEMBLY INSTRUCTION

PARTS LIST

ITEM	DESCRIPTION	DRAWING	QTY
12	SUPPORT LEG WITH HANGER BOLT		5 PCS
13	L SHAPE METAL WITH BASE		2 PCS
14	L SHAPE METAL		2 PCS
15	SLAT		1 PC
16	WING (L)		1 PC
17	WING (R)		1 PC

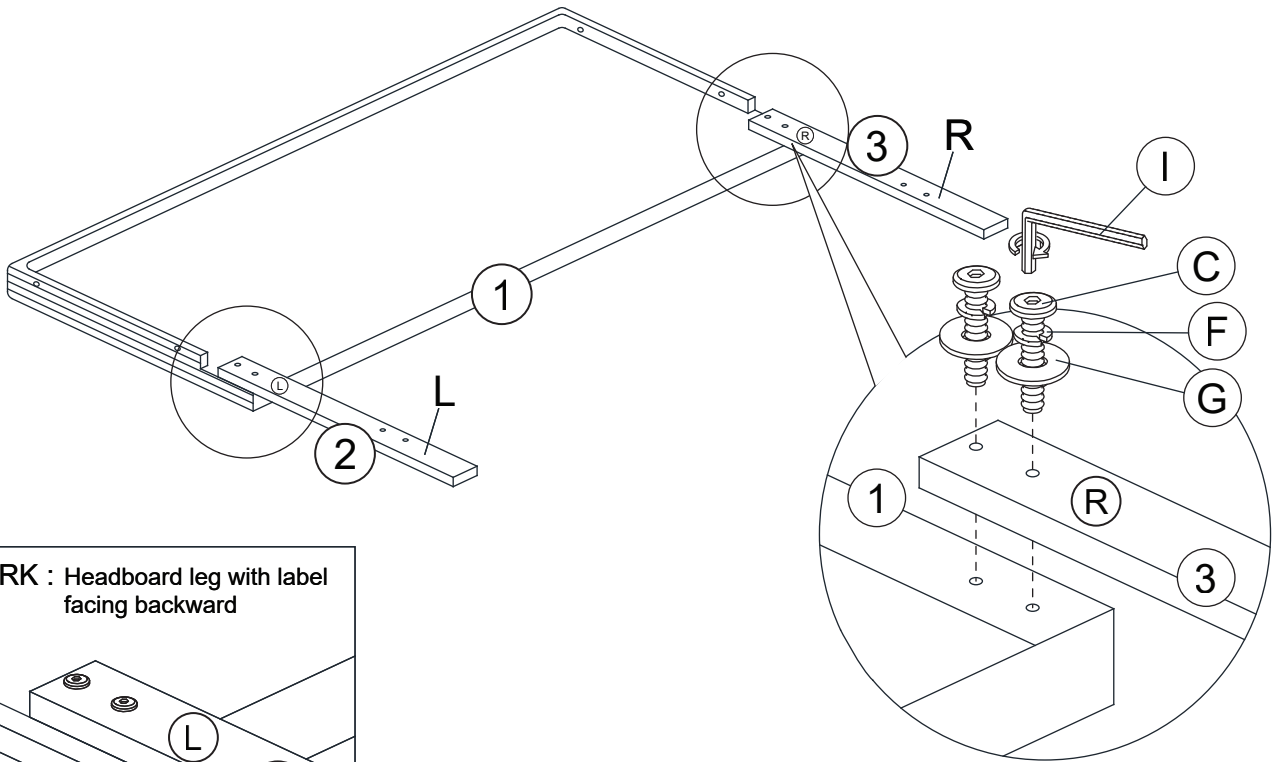
FULL/QUEEN BED ASSEMBLY INSTRUCTION

PARTS ' LOCATION

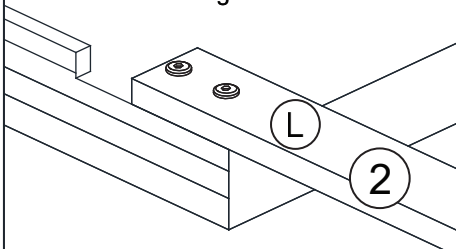


FULL/QUEEN BED ASSEMBLY INSTRUCTION

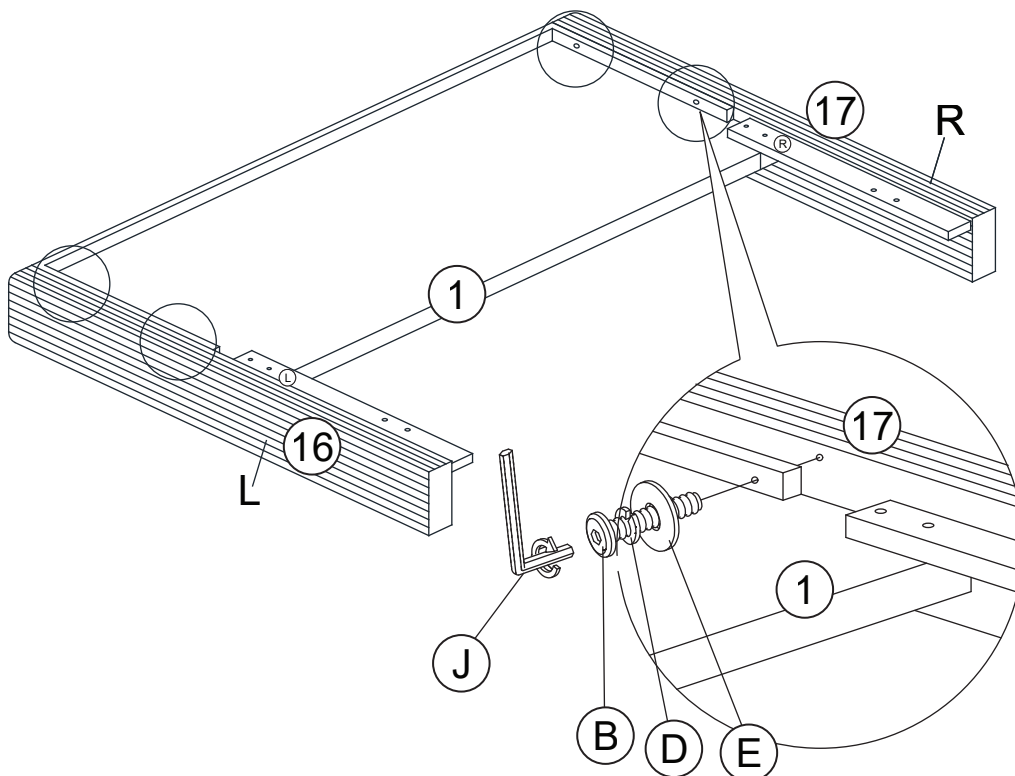
STEP 1



REMARK : Headboard leg with label facing backward

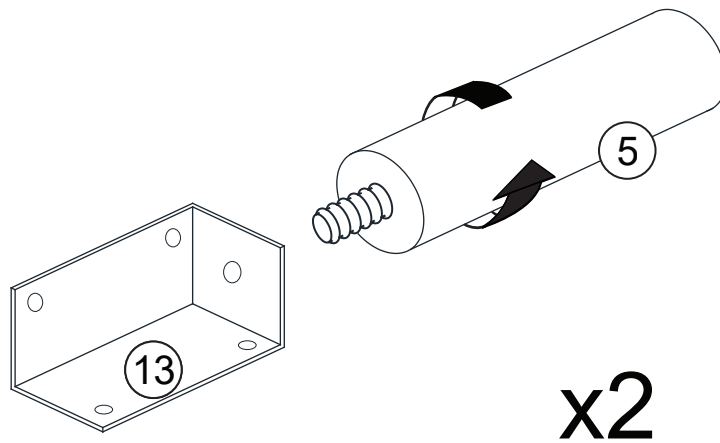


STEP 2

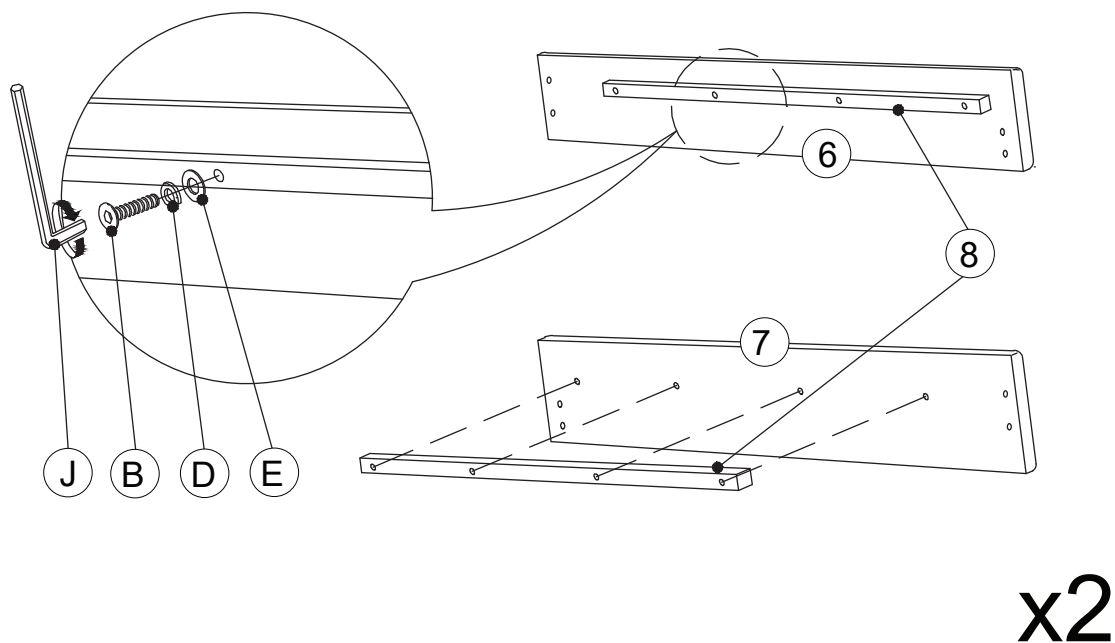


FULL/QUEEN BED ASSEMBLY INSTRUCTION

STEP 3

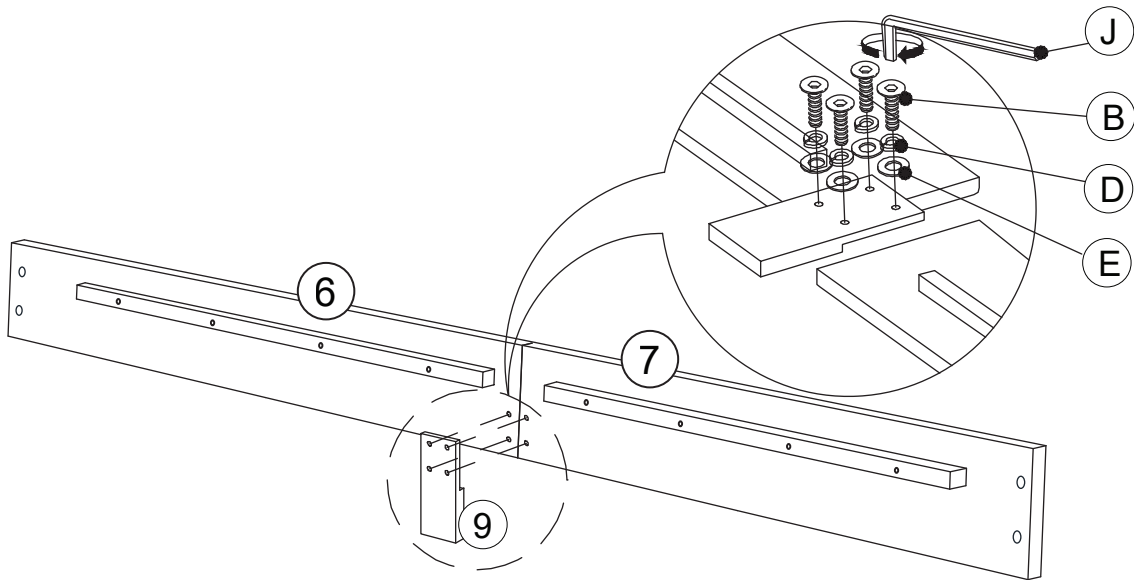


STEP 4



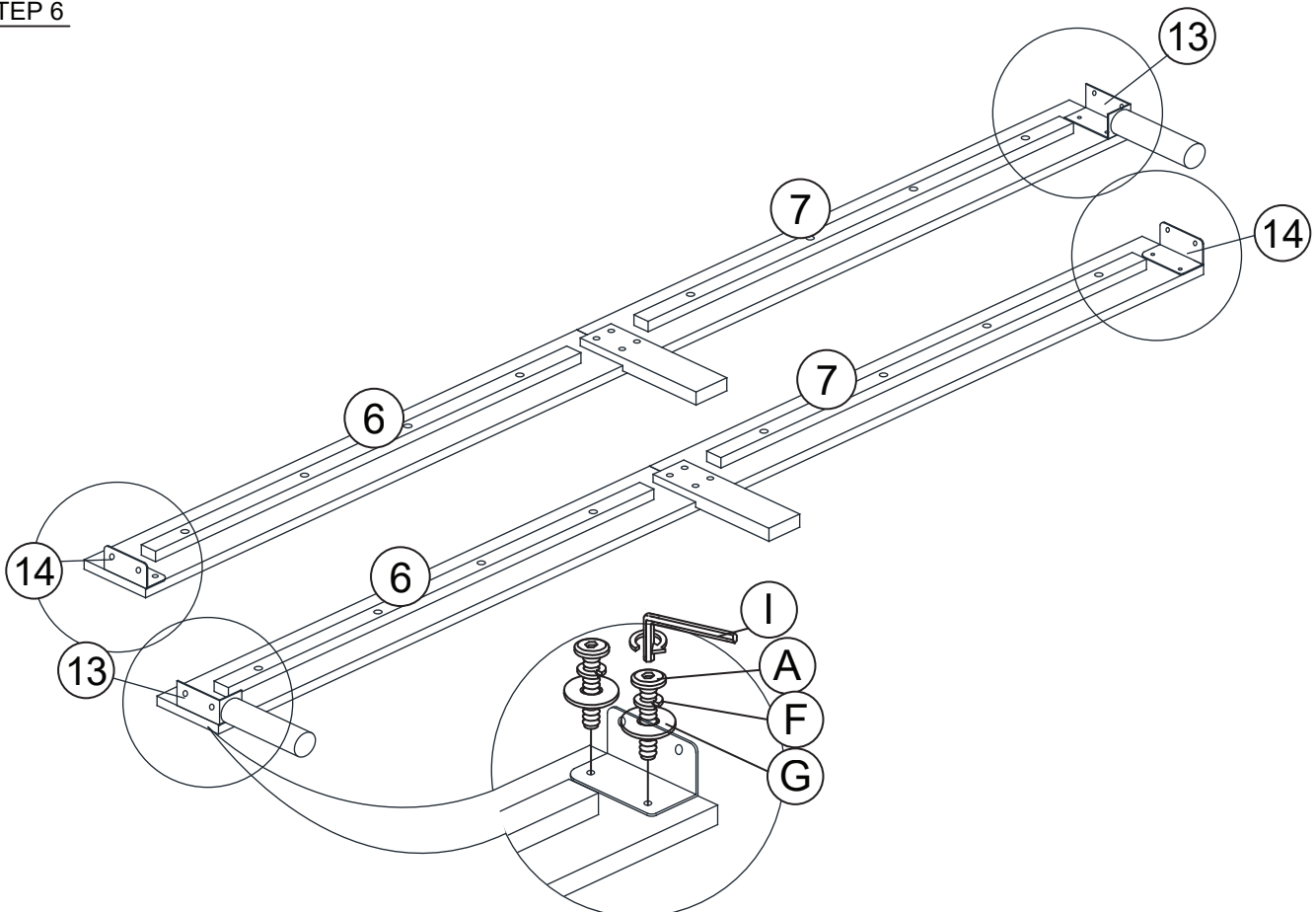
FULL/QUEEN BED ASSEMBLY INSTRUCTION

STEP 5



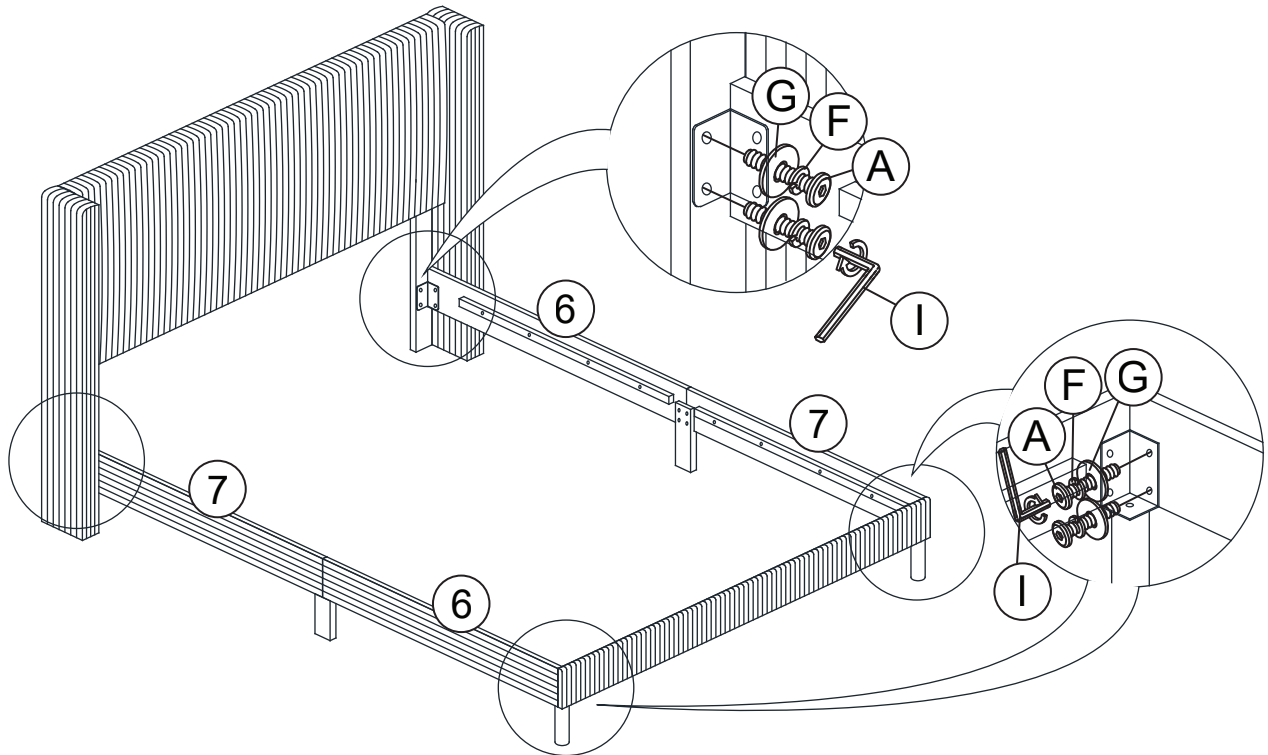
x2

STEP 6

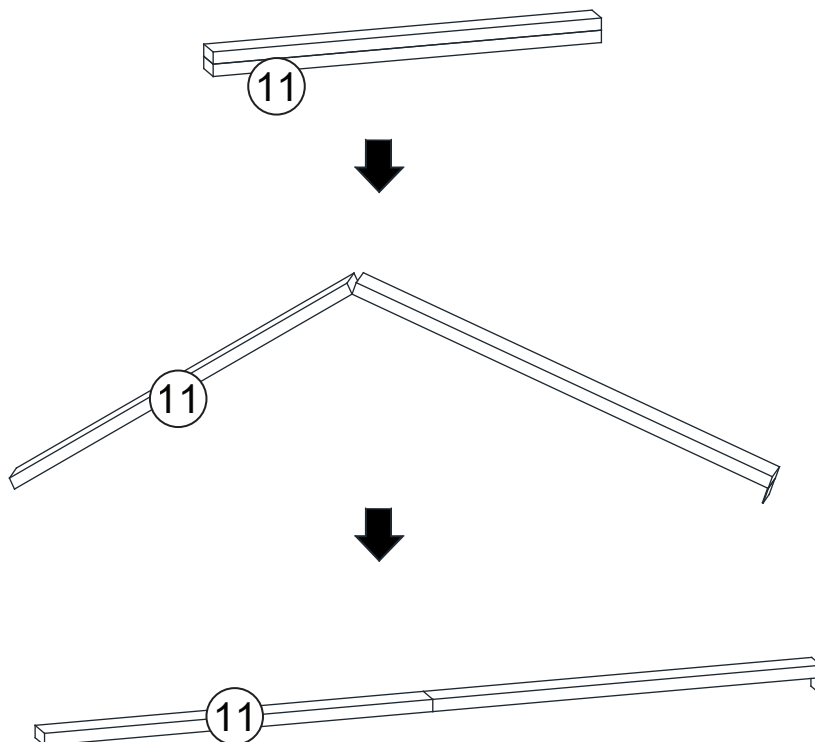


FULL/QUEEN BED ASSEMBLY INSTRUCTION

STEP 7

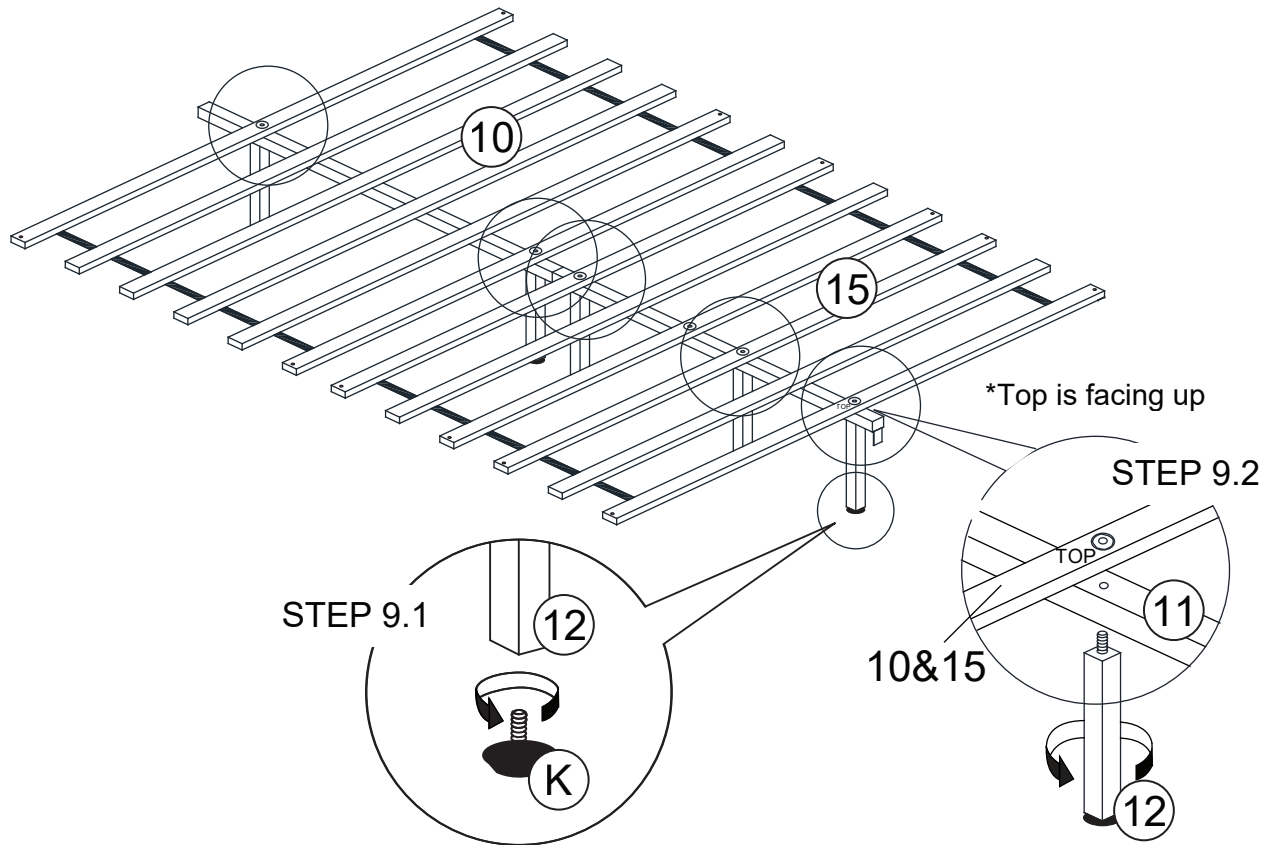


STEP 8



FULL/QUEEN BED ASSEMBLY INSTRUCTION

STEP 9



STEP 10

