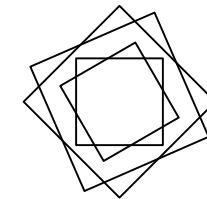
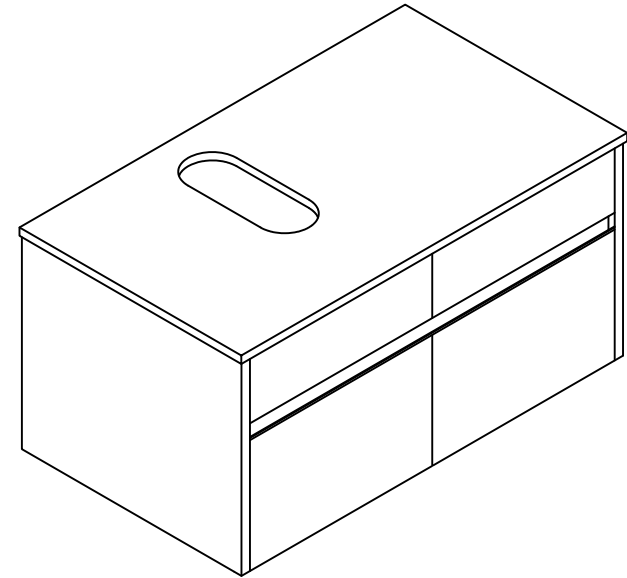


Installation Manual-BV B13432

**MOTIVATE
YOUR LIFE !**

THANKS FOR WATCHING

Your feedback is invaluable to us and we would love to hear about your experience. Please take the time to leave us a review.



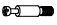
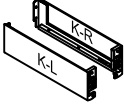

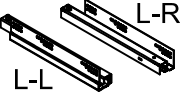

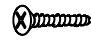


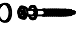



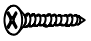


Thank you for shopping with us!

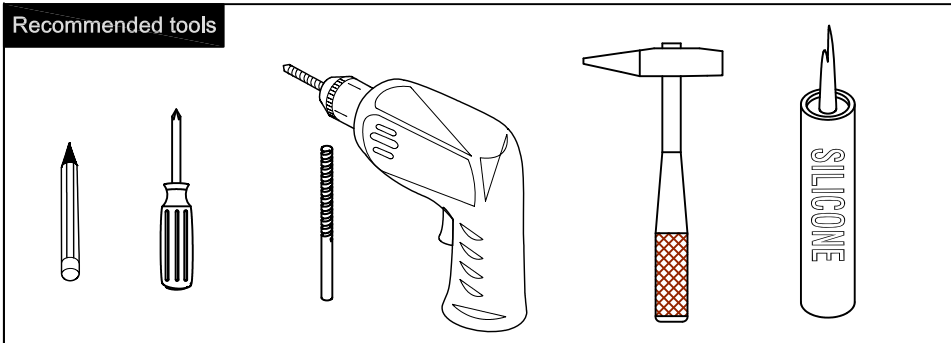
We encourage you to take a few minutes to go through this booklet. It contains important information on installation and care tips to keep your furniture looking as good as new.

Item NO.:BV B13432

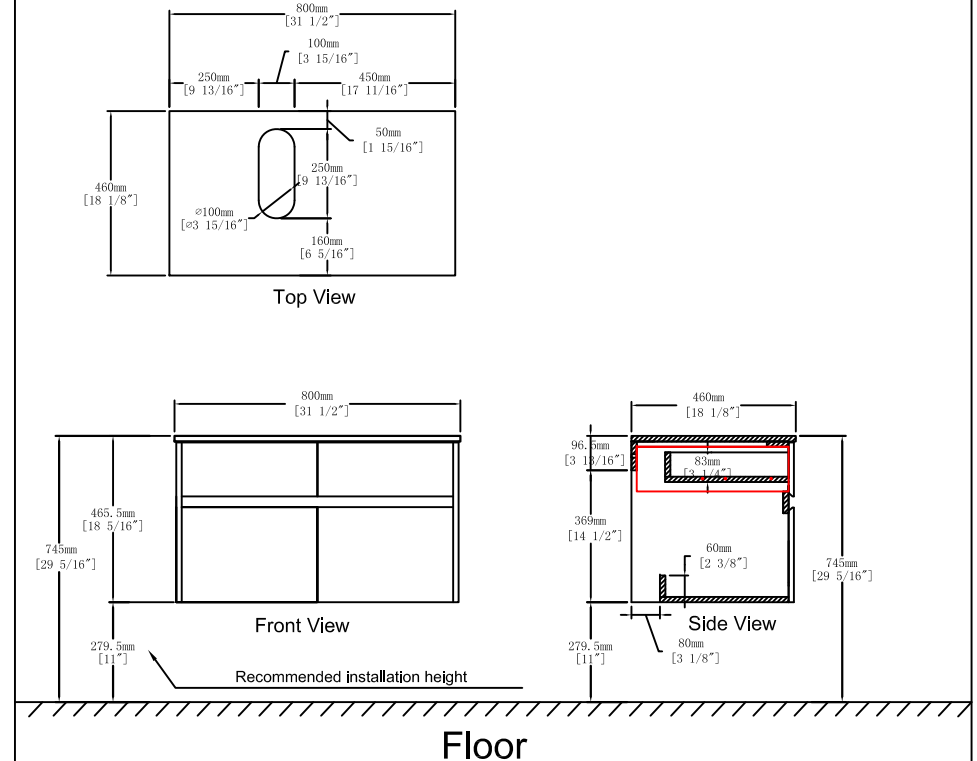
Hardware

NO.	Draw	QTY	NO.	Draw	QTY
A	 Screws Ø4x14mm	60	J	 Hinges(Internal hiding)	4
B	 Two-in-one connector	35	K	 Plastic side panel	1
C	 Two-in-one connector	35	L	 Track	1
D	 Wood plug	4	M	 Screws Ø4x20mm	4
E	 Plastic anchor(Ø10mm)	2	N	 Anti-collision gasket	8
F	 Screws for fix on the wall	2	O	 Screwdriver	1
G	 Bracket (53x70x44mm)	2			
H	 Bracket (19x19x35mm)	1			
I	 Screws Ø4x25mm	1			

Recommended tools



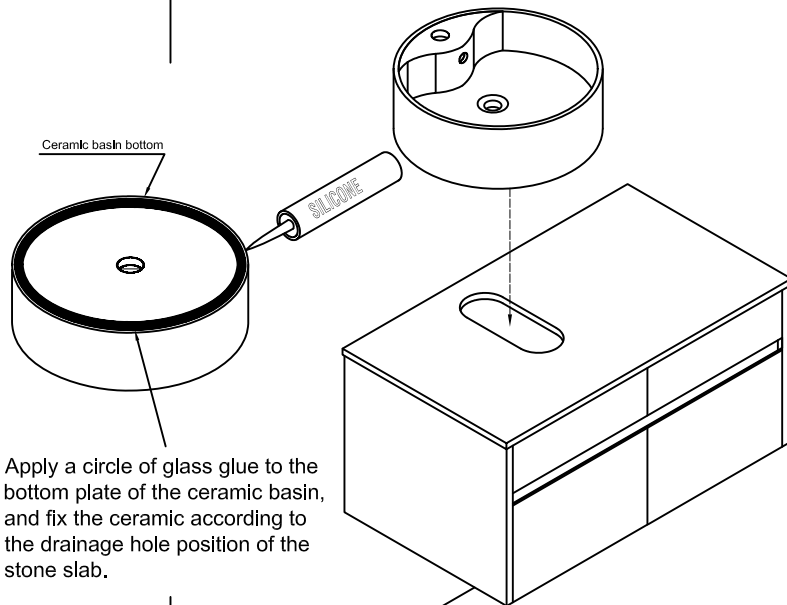
Dimensions



CARE CLEANING AND MAINTENANCE

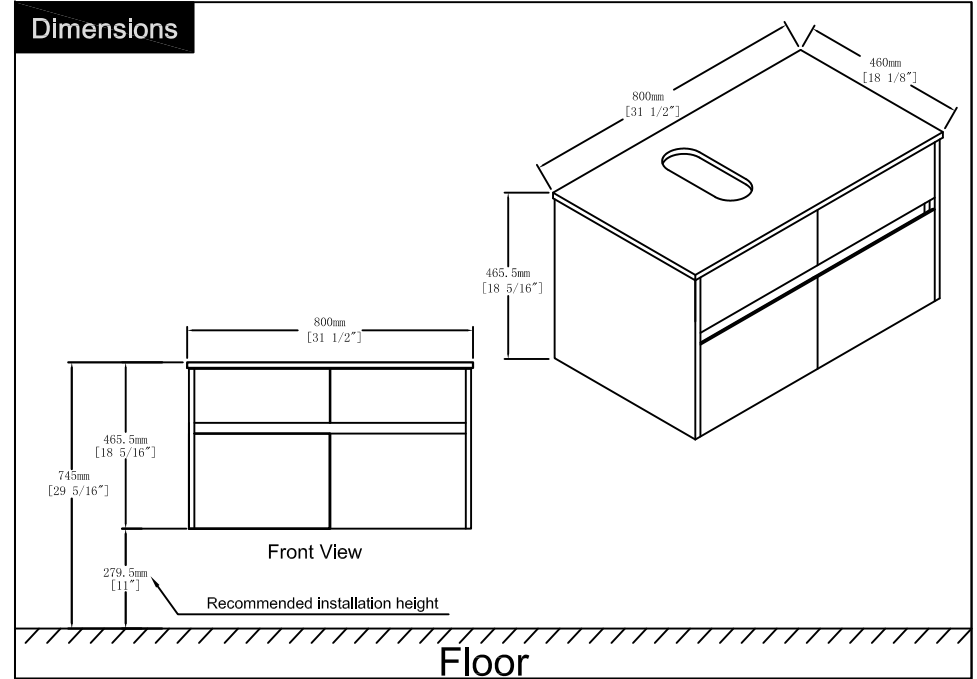
1. Dust regularly with a soft , dry cloth.
2. Avoid the use of all chemicals household cleaners, abrasives, or cleaners that contain lemon, vinegar, or other acids that may damage the finish.
3. Excessive exposure to sunlight and extreme changes in temperature and moisture can damage wood furniture.
4. The sink is fragile, please pay attention to maintaining its appearance.
5. Do not place hot appliances, such as curling irons and hot hair dryers directly on the countertop. Wipe spills immediately.

Finished

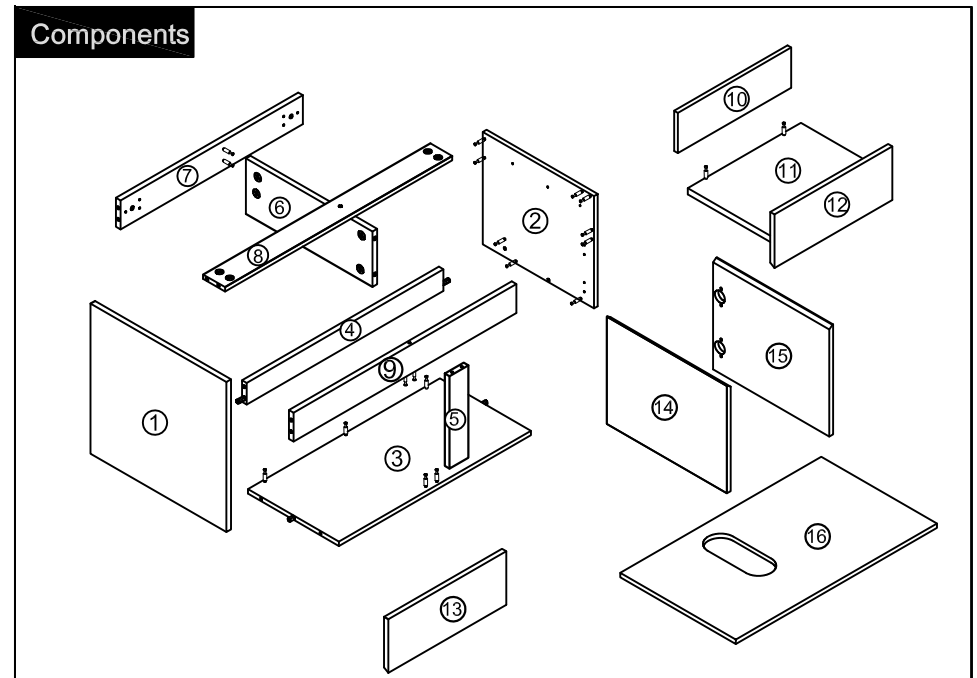


The specific basin type is subject to your purchase order.

Dimensions

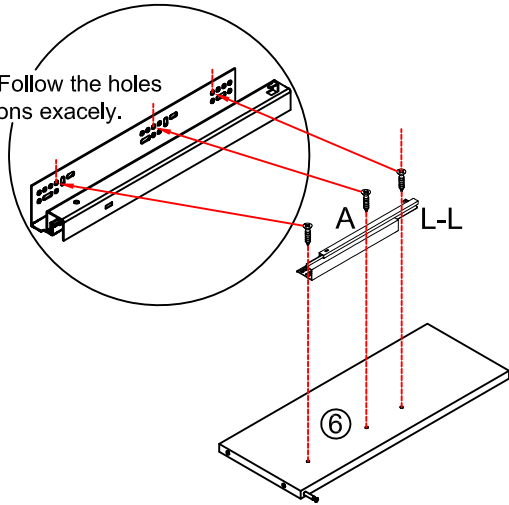




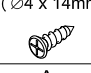


Components



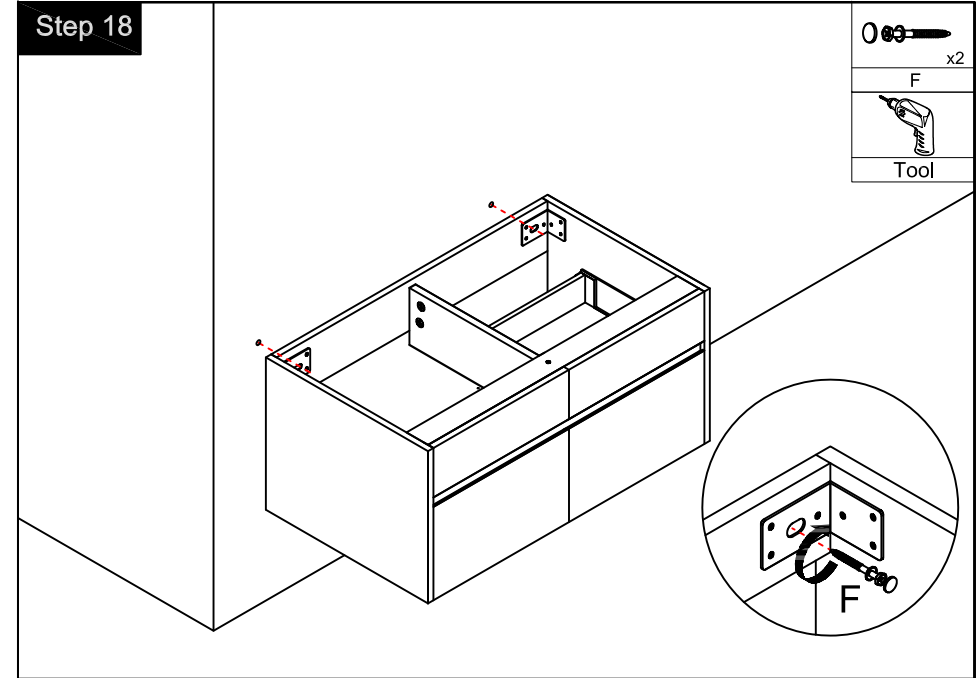
Step 1

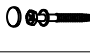
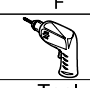
Note: Follow the holes positions exactly.



-  L-L x1
-  L
(∅4 x 14mm)
-  x3
-  A
-  Tool

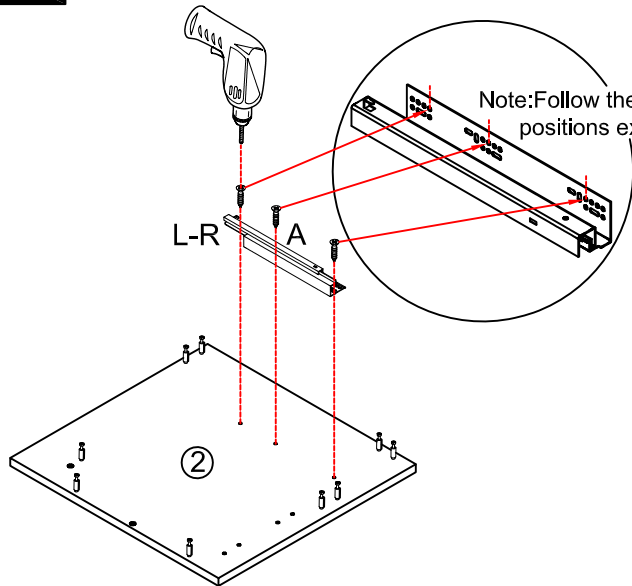
Step 18


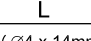
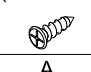




-  F x2
-  Tool

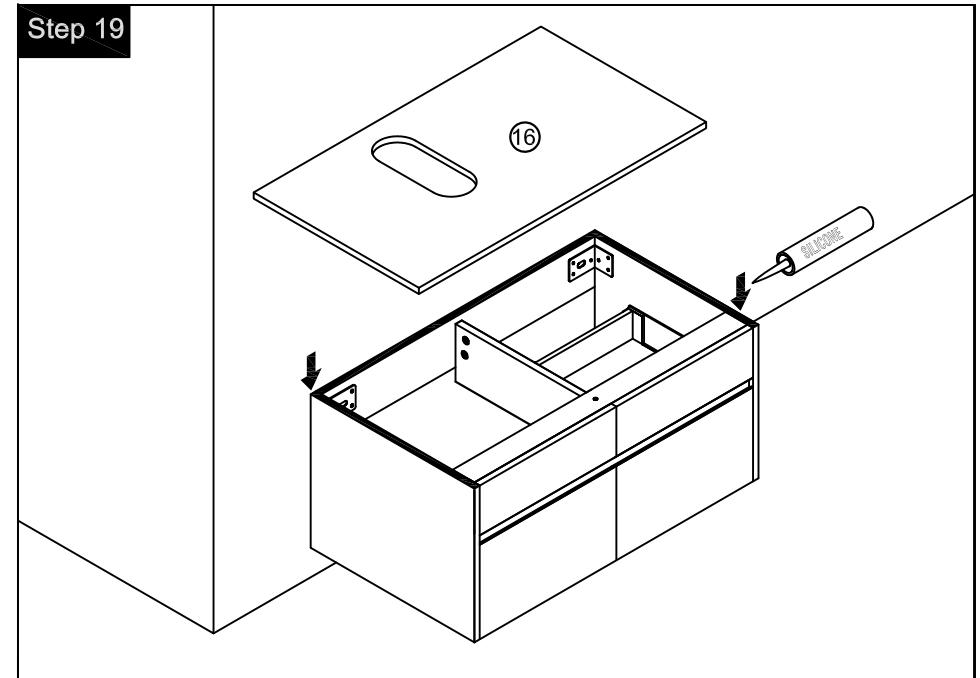
Step 2

Note: Follow the holes positions exactly.

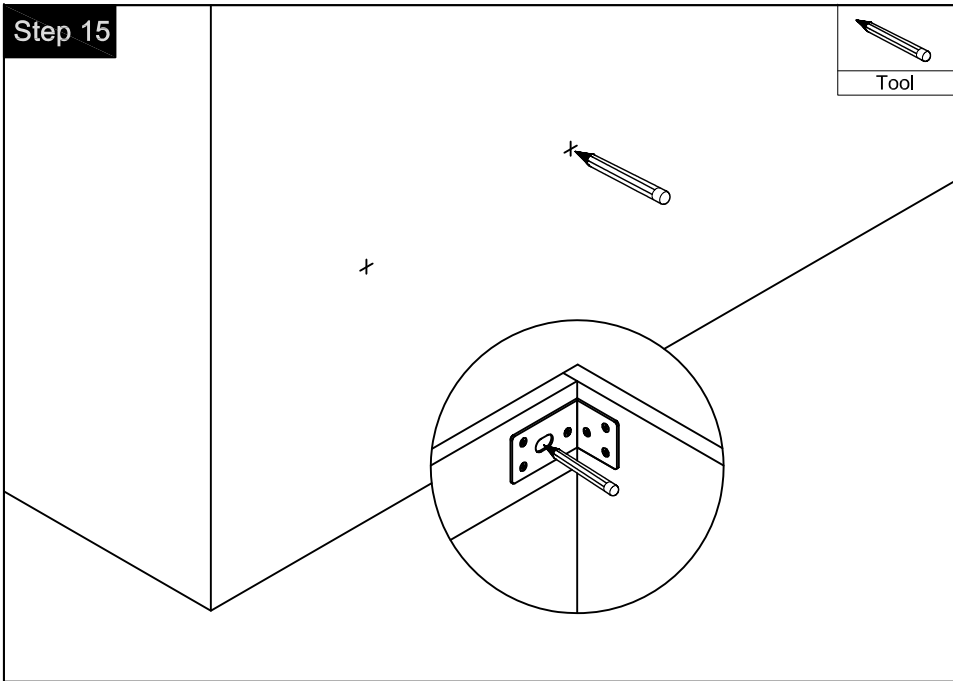


-  L-R x1
-  L
(∅4 x 14mm)
-  x3
-  A
-  Tool

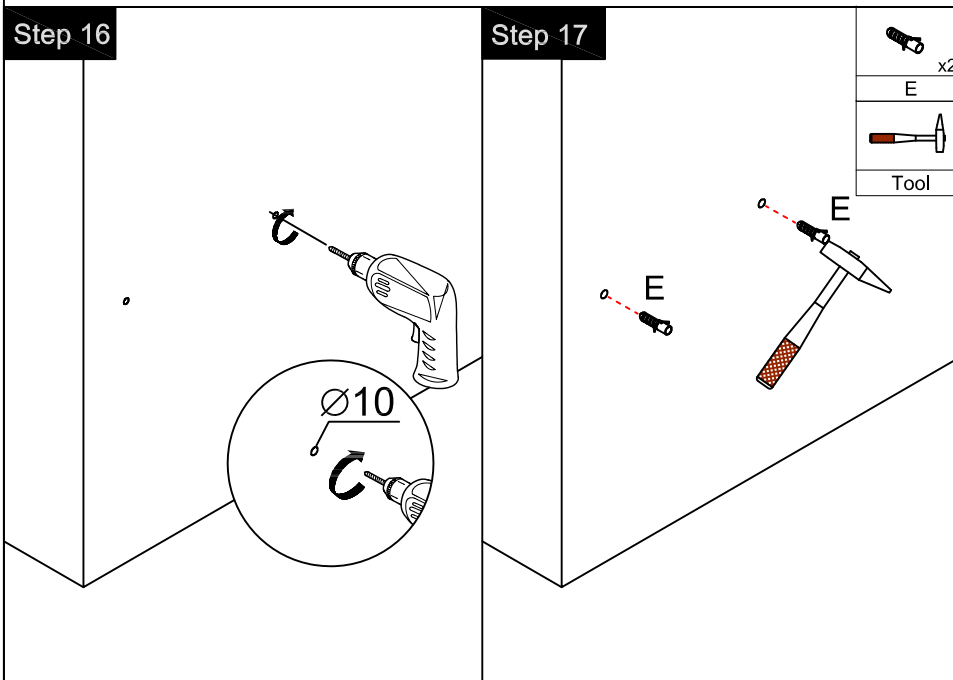
Step 19



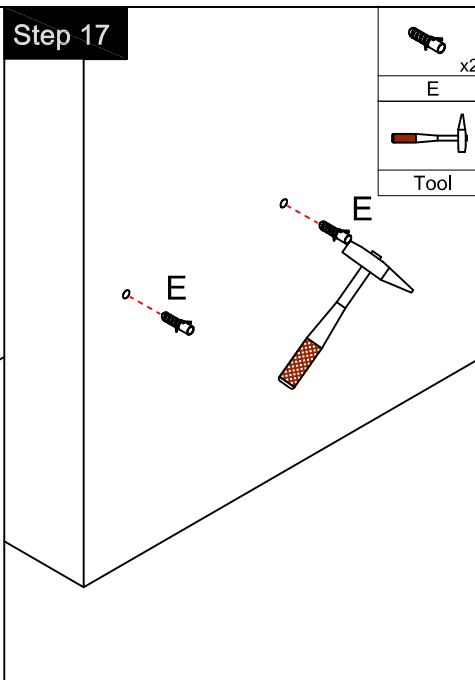
Step 15



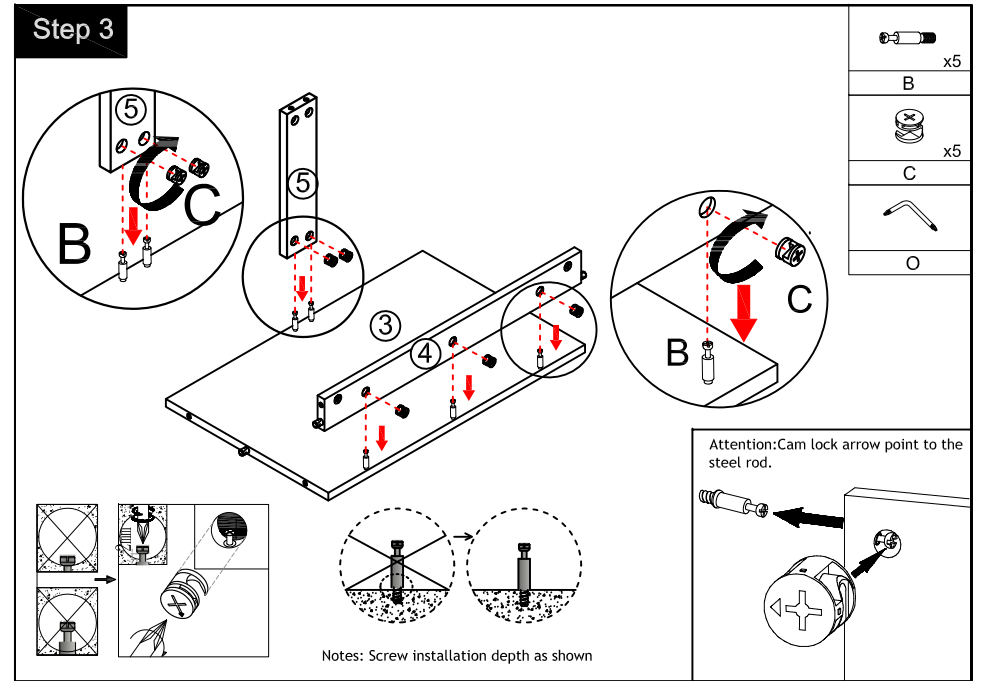
Step 16



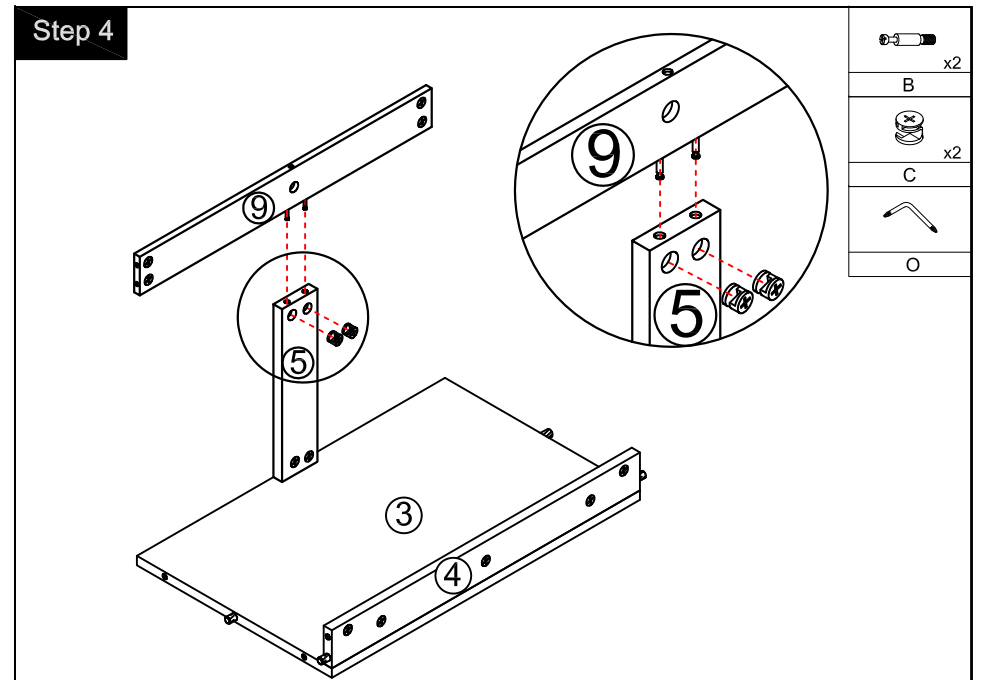
Step 17



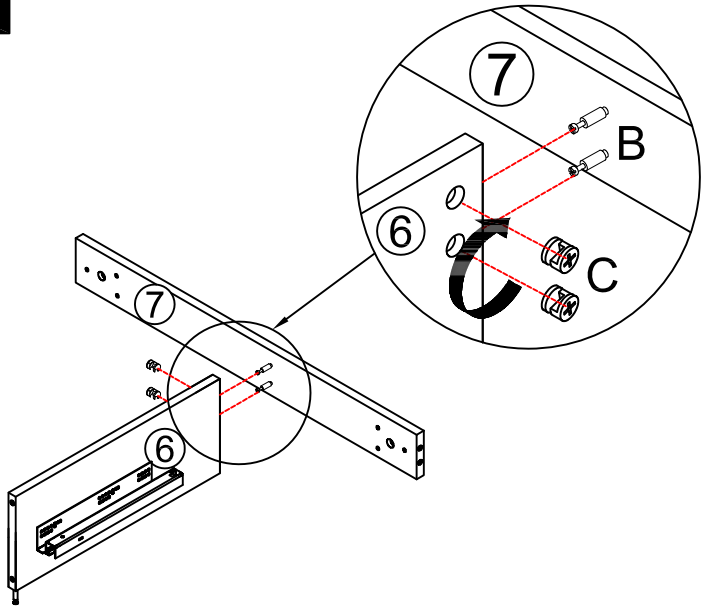
Step 3



Step 4

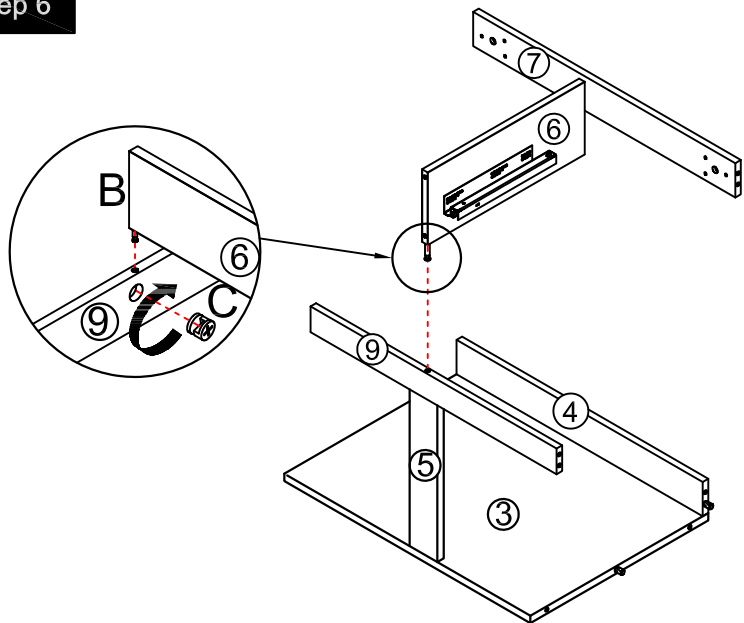


Step 5



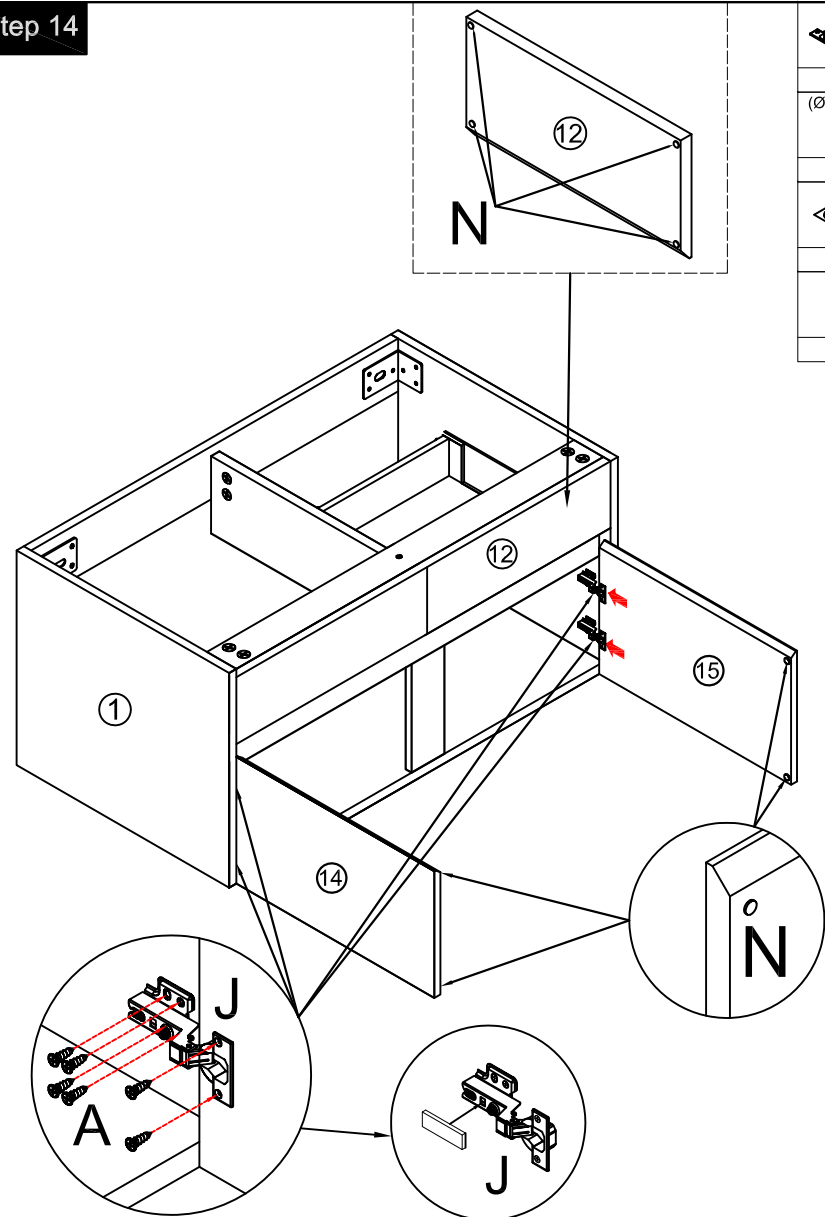
	x2
B	
	x2
C	
O	

Step 6



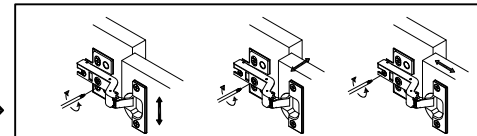
	x1
B	
	x1
C	
O	

Step 14



	x4
J	
(Ø4 x 14mm)	
	x24
A	
	x8
N	
Tool	

You can adjust the doors by tightening or loosening the screws on the hinge. →



Step 12

Note: Remove the cover according to the diagram and align it with the hole to lock the self powered screws M.

	x3
B	
	x3
C	(∅4 x 20mm)
	x4
M	
Tool	

Step 7

	x9
B	
	x9
C	
	x2
D	
O	

Note:The D parts are used for these two holes.

Step 13

(∅4 x 14mm)
A x4

Tool

Note: The bottom hole under the rail is stuck on this hole in the plastic side plate and locks the screw at the bottom.

Note:The bottom of the rail is fixed with screw A. The rails adjust their height 3mm.

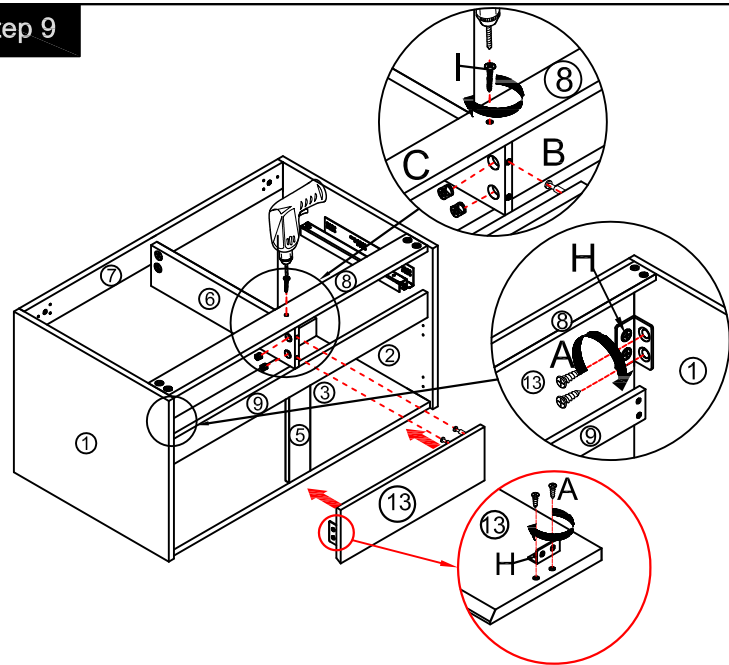
Note:stuck the rear holes.

Step 8

	x9
B	
	x9
C	
	x2
D	
O	

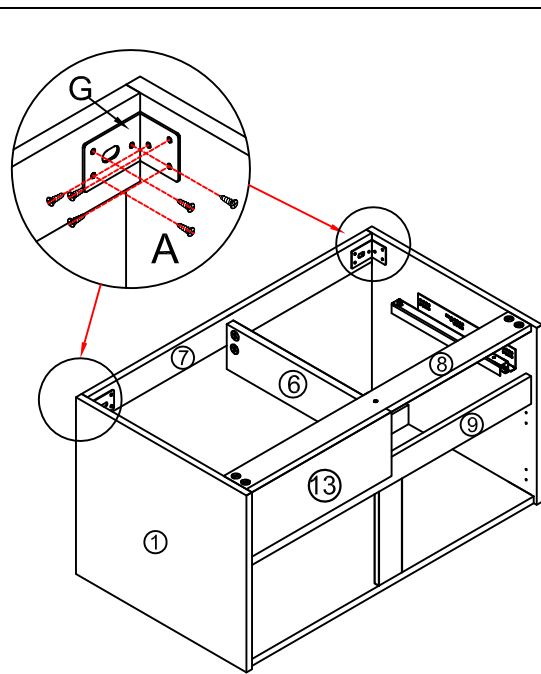
Note:The D parts are used for these two holes.

Step 9



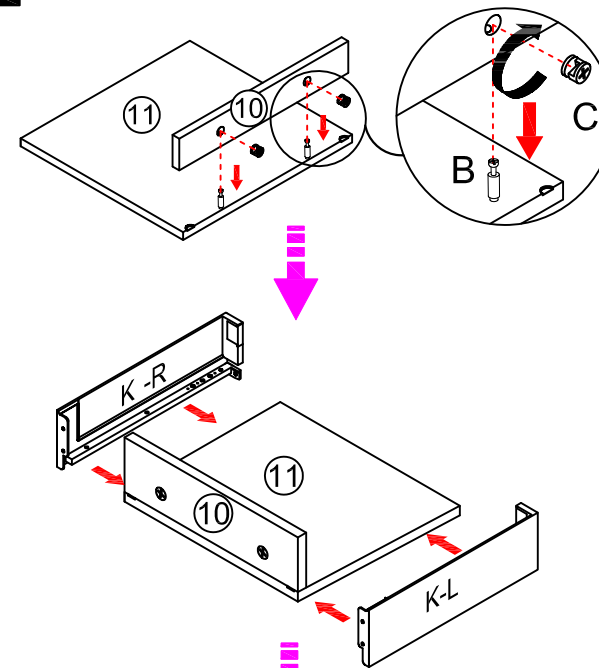
- x2
- B
- x2
- C
- x1
- H
- (Ø4 x 25mm)
- x1
- I
- (Ø4 x 14mm)
- x4
- A
- O
- Tool

Step 10



- (Ø4 x 14mm)
- x12
- A
- x2
- G
- Tool

Step 11



- x2
- B
- x2
- C
- x1
- K
- (Ø4 x 14mm)
- x10
- A
- O
- Tool

