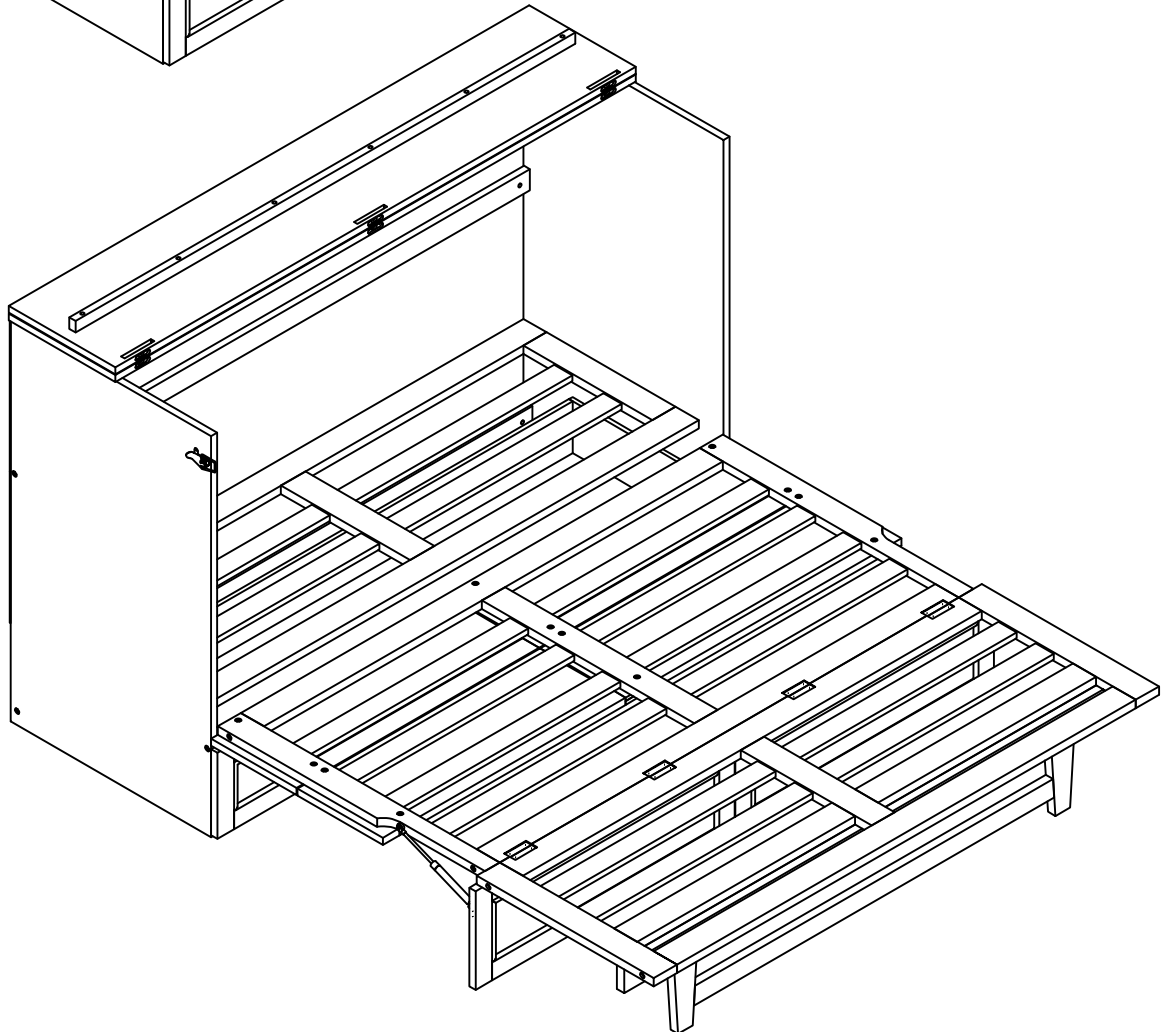
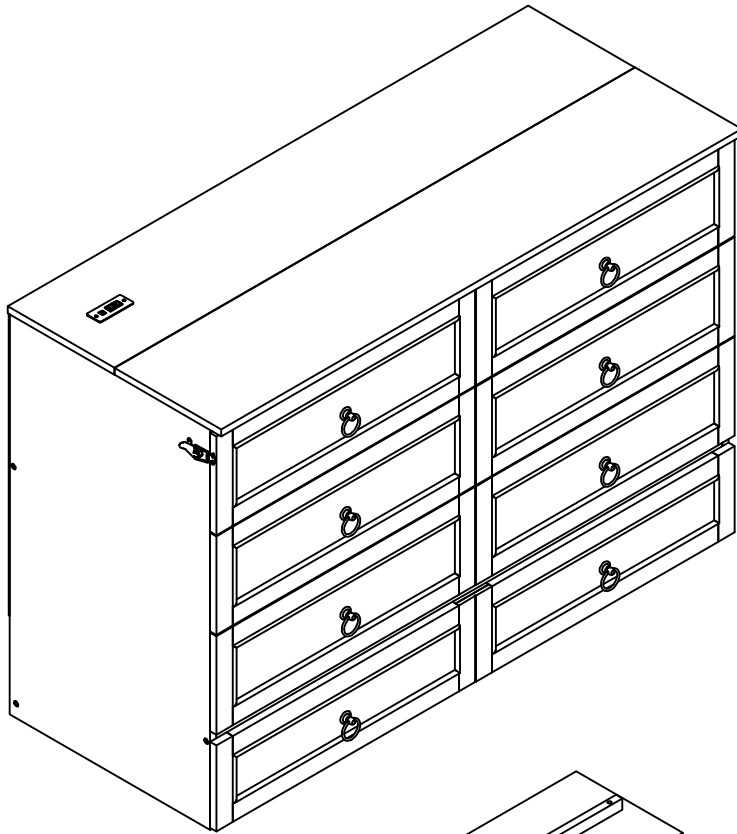
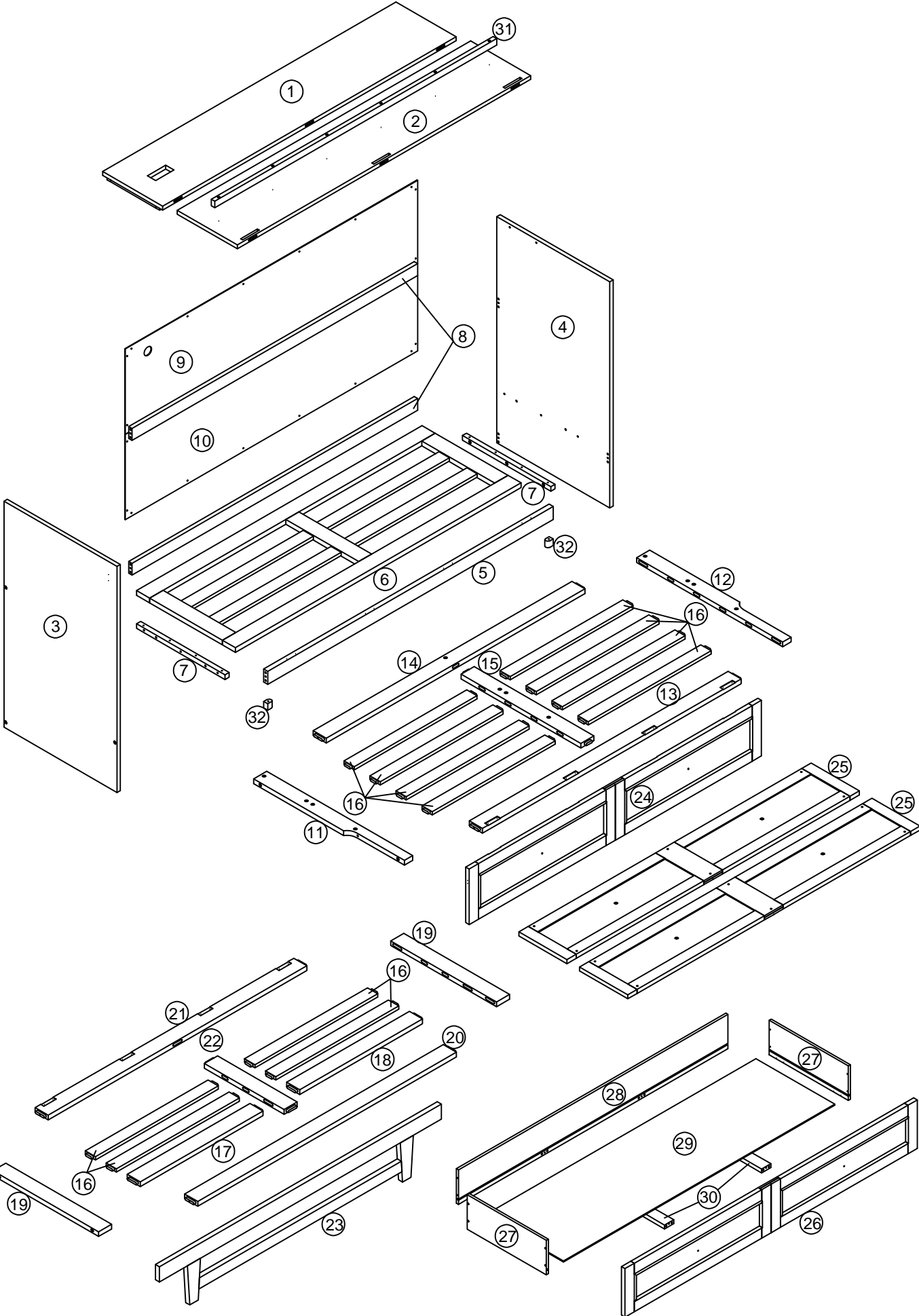


# ASSEMBLY INSTRUCTIONS

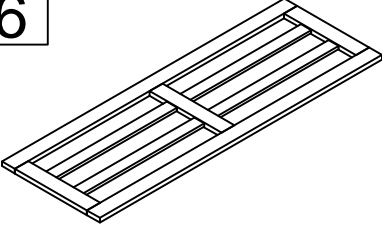
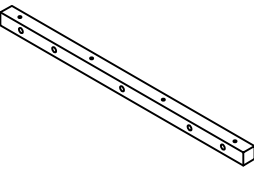
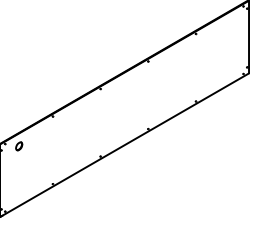
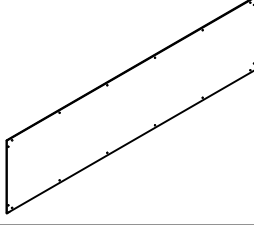
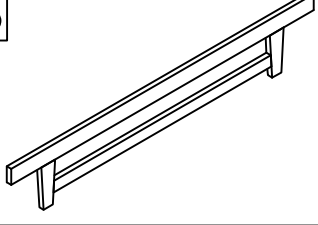
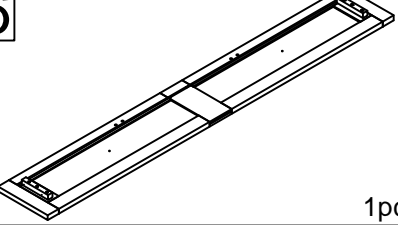
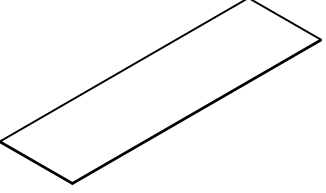
SKU: WF532282-WF532283-WF532284



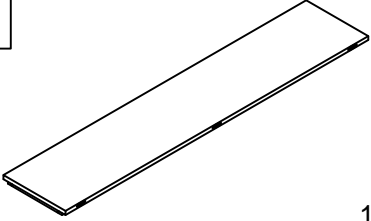
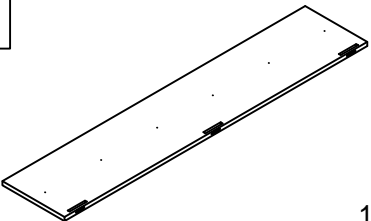
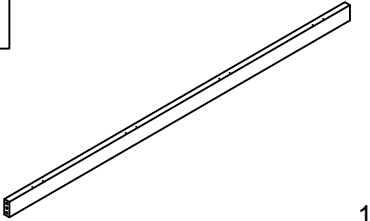
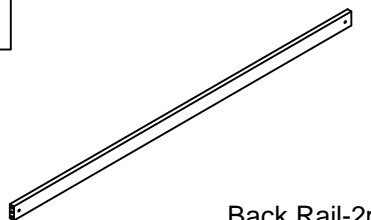
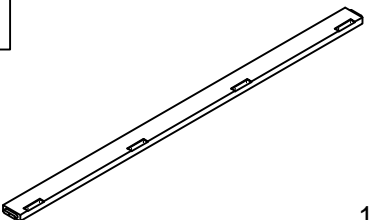
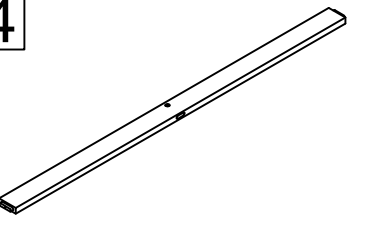
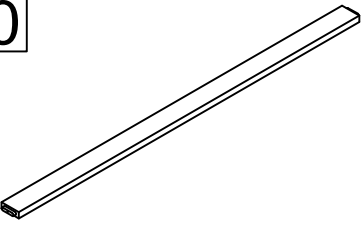
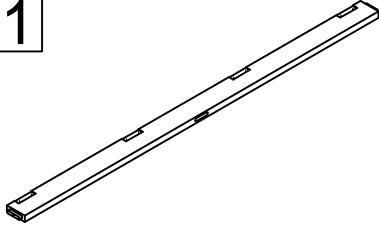
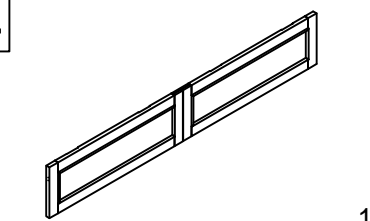
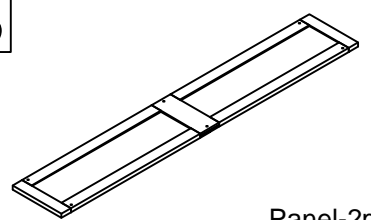
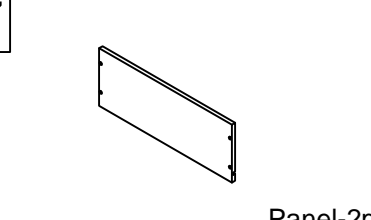
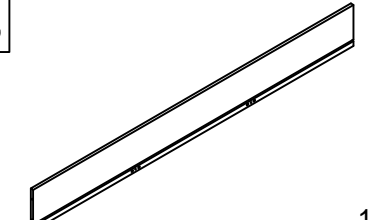
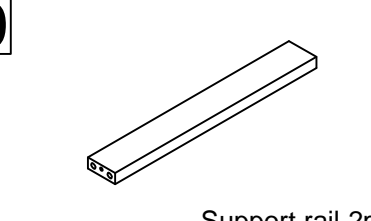
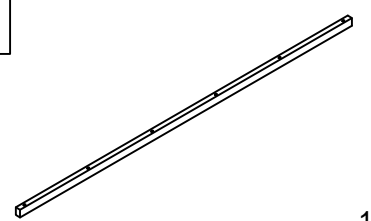
# Detail View



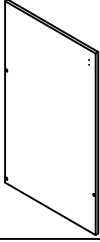
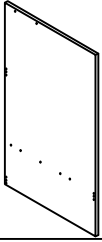
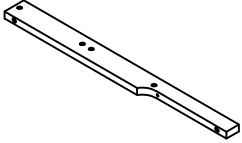
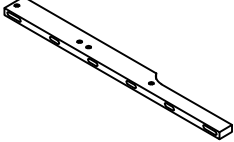
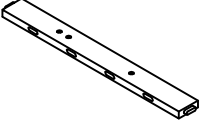
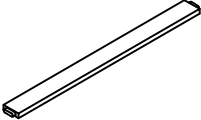
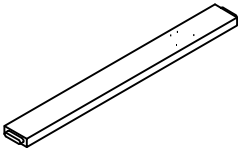
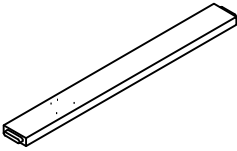
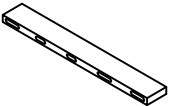
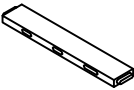
# Part Lists (Box 1-WF532282)

<b>6</b>  1pc	<b>7</b>  2pcs	<b>9</b>  1pc
<b>10</b>  1pc	<b>23</b>  1pc	<b>26</b>  1pc
<b>29</b>  1pc		

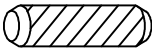
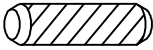


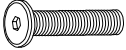
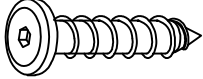

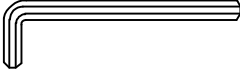


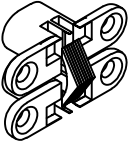
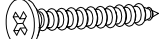


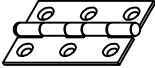
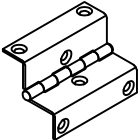


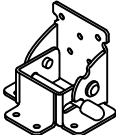
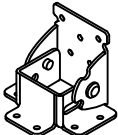
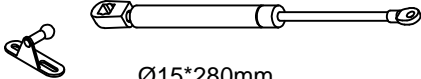
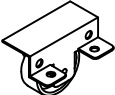


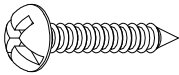


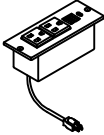
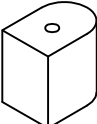
# Part Lists (Box 2-WF532283)

<b>1</b>  1pc	<b>2</b>  1pc	<b>5</b>  1pc
<b>8</b>  Back Rail-2pcs	<b>13</b>  1pc	<b>14</b>  1pc
<b>20</b>  1pc	<b>21</b>  1pc	<b>24</b>  1pc
<b>25</b>  Panel-2pcs	<b>27</b>  Panel-2pcs	<b>28</b>  1pc
<b>30</b>  Support rail-2pcs	<b>31</b>  1pc	

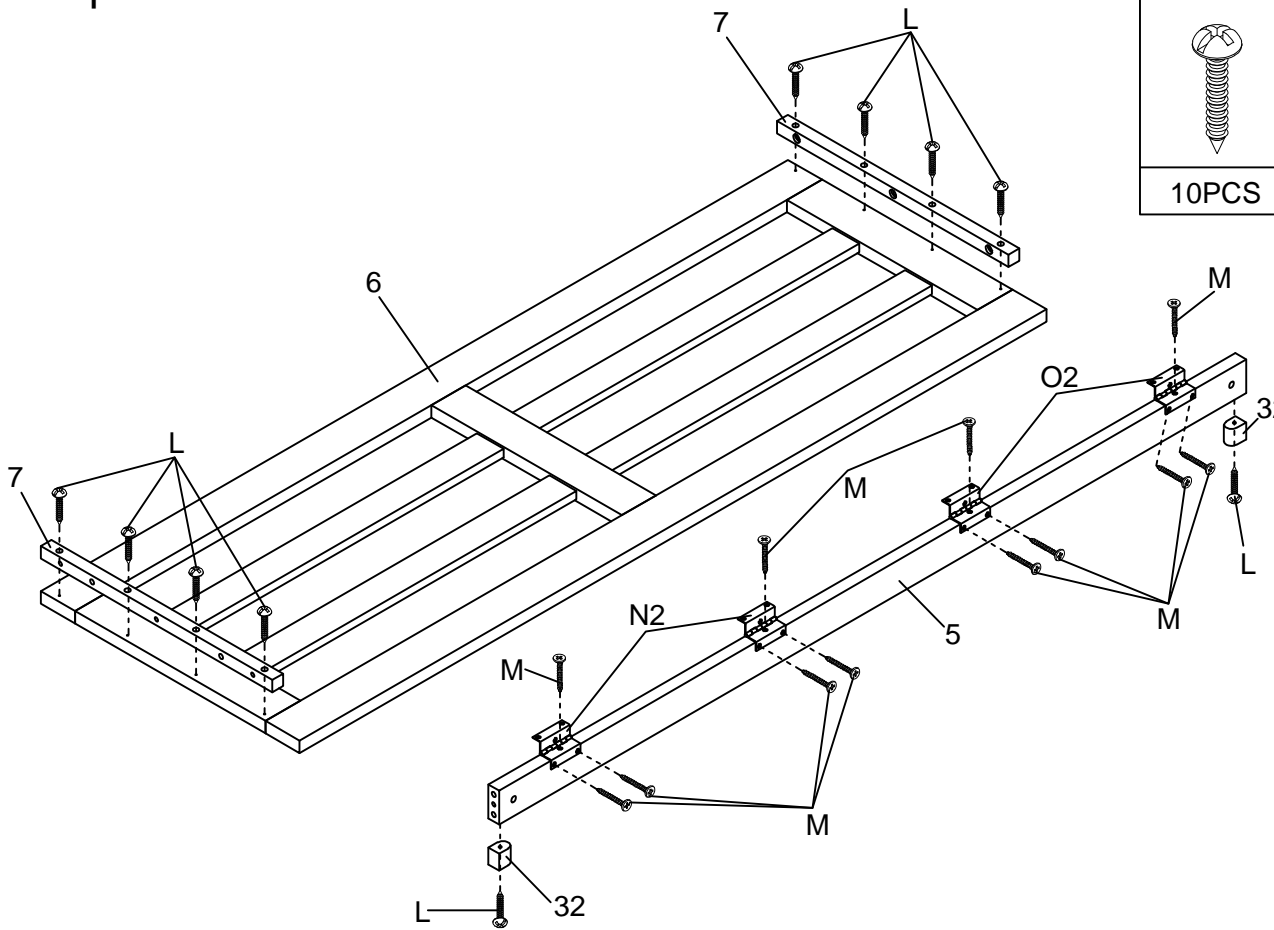
# Part Lists (Box 3-WF532284)


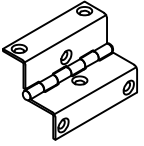
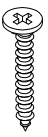
<b>3</b>  1pc	<b>4</b>  1pc	<b>11</b>  1pc
<b>12</b>  1pc	<b>15</b>  1pc	<b>16</b>  Slat-12pcs
<b>17</b>  1pc	<b>18</b>  1pc	<b>19</b>  2pcs
<b>22</b>  1pc		

# Hardware Lists (Box 3-WF532284)

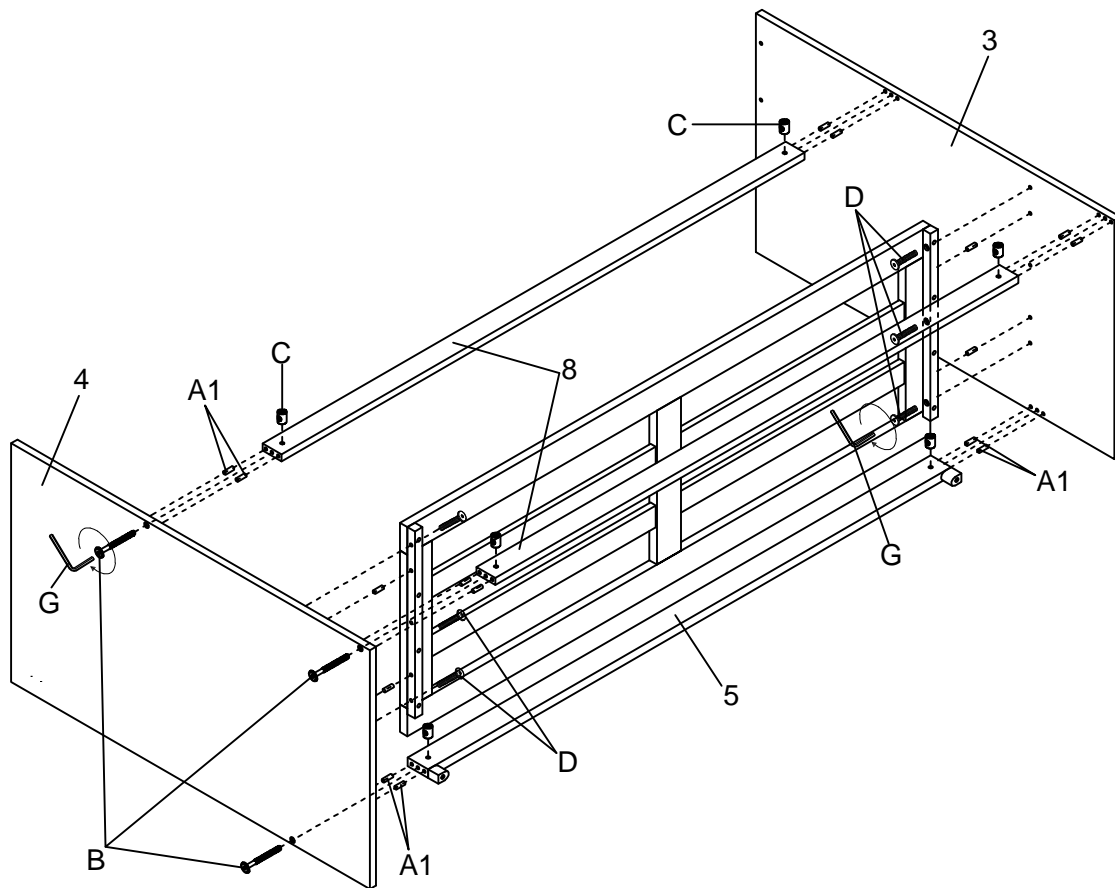
<b>A1</b>  Ø10*30mm Wood dowel (16pcs)	<b>A2</b>  Ø8*20mm Wood dowel (8pcs)	<b>B</b>  Ø1/4*60mm Hex-Head bolt (6pcs)
<b>C</b>  Ø1/4"*9.5*12mm Horizontal-Hole bolt (6pcs)	<b>D</b>  Ø1/4*30mm Hex-Head bolt (24pcs)	<b>E</b>  Ø6*60mm Hex-Head screw (2pcs)
<b>F</b>  Ø6*90mm Hex-Head screw (6pcs)	<b>G</b>  K4mm Allen key (2pcs)	<b>H</b>  Knob (8pcs)
<b>I</b>  M5/32*15mm Bolt (8pcs)	<b>J</b>  Cross Hinge (3pcs)	<b>K</b>  Ø3.5*20mm Wood screws (12pcs)
<b>L</b>  Ø4*35mm Wood screws (15pcs)	<b>M</b>  Ø3.5*15mm Wood screws (82pcs)	<b>N1</b>  Leaf Hinge (8pcs)
<b>N2</b>  Leaf Hinge (4pcs)	<b>O</b>  Ø3.5*15mm Wood screws (54pcs)	<b>P</b>  Ø17,Ø6.5*5mm Plastic Temple (2pcs)
<b>Q1</b>  90 Degree Hinges With Lock (1pc)	<b>Q2</b>  90 Degree Hinges Do Not Lock (1pc)	<b>R</b>  Ø15*280mm Ty Slightly (2pcs)
<b>S</b>  Drawer Wheels (4pcs)	<b>T</b>  Ø3*10mm Wood screws (8pcs)	<b>U</b>  Duckle Lock (2pcs)
<b>V</b>  Ø4*25mm Wood screws (8pcs)	<b>W</b>  Ø4*50mm Wood screws (4pcs)	<b>X</b>  Ø9.5*10mm Plastic Canopy (4pcs)
<b>Y</b>  Electrical Outlet (1pc)	<b>32</b>  (No description provided)	





# Step 1



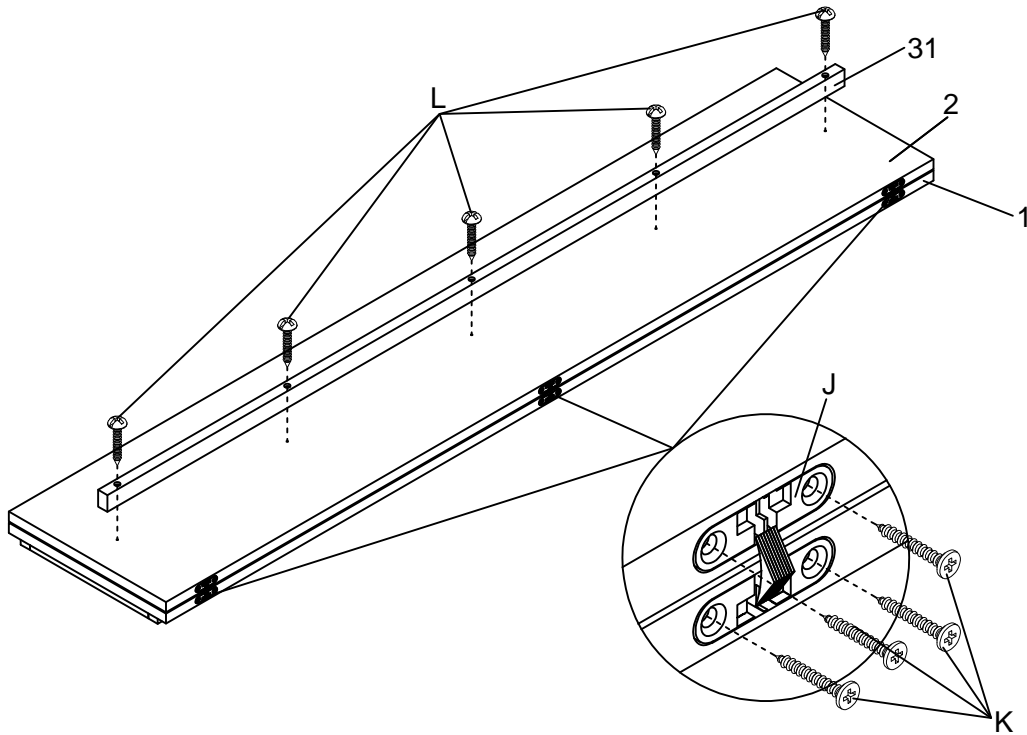
<b>L</b>	<b>N2</b>
	
10PCS	4PCS
<b>M</b>	
	
12PCS	




# Step 2



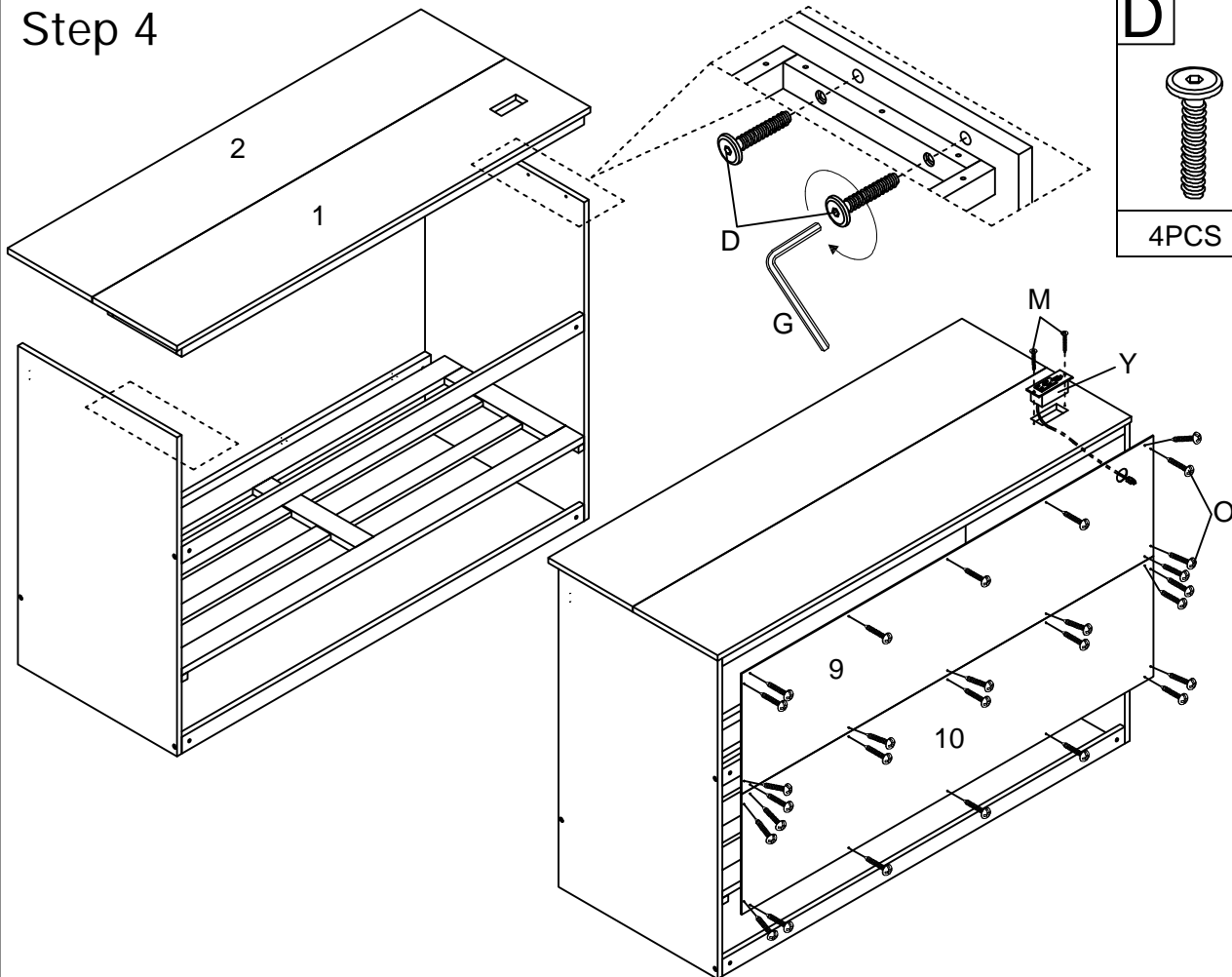
<b>A1</b>	<b>B</b>
	
16PCS	6PCS
<b>C</b>	
	
6PCS	
<b>D</b>	
	
6PCS	

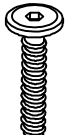

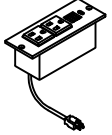

# Step 3



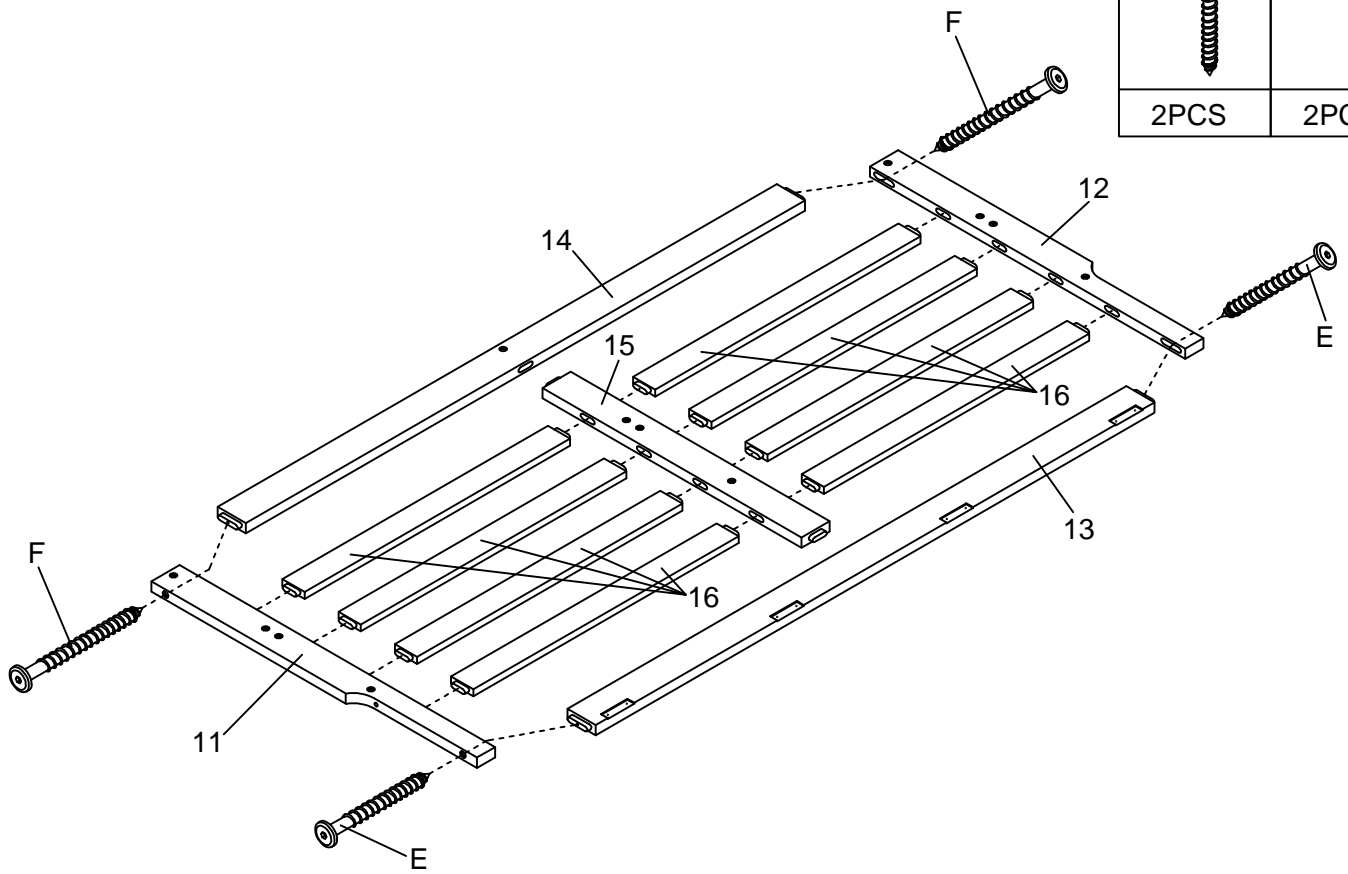
<b>J</b>	<b>K</b>
	
3PCS	12PCS
	<b>L</b>
	
	5PCS



# Step 4



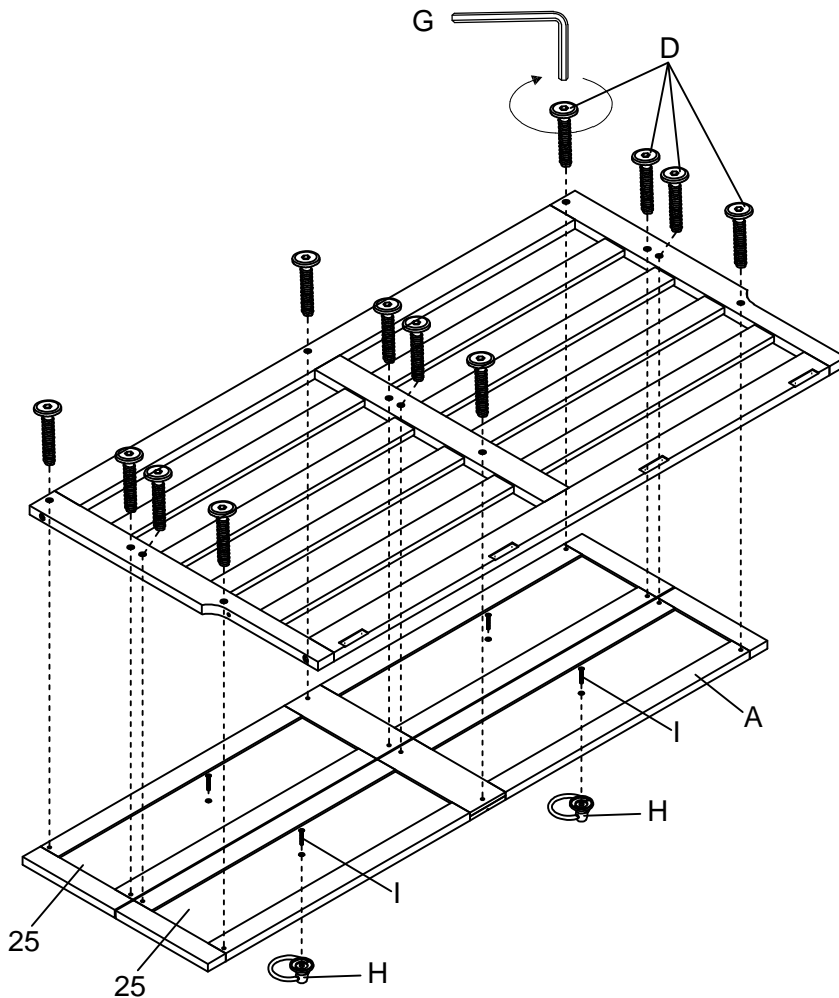
<b>D</b>	<b>O</b>
	
4PCS	28PCS
	<b>Y</b>
	
	1PC
	<b>M</b>
	
	2PCS

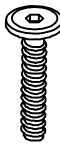

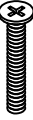
# Step 5



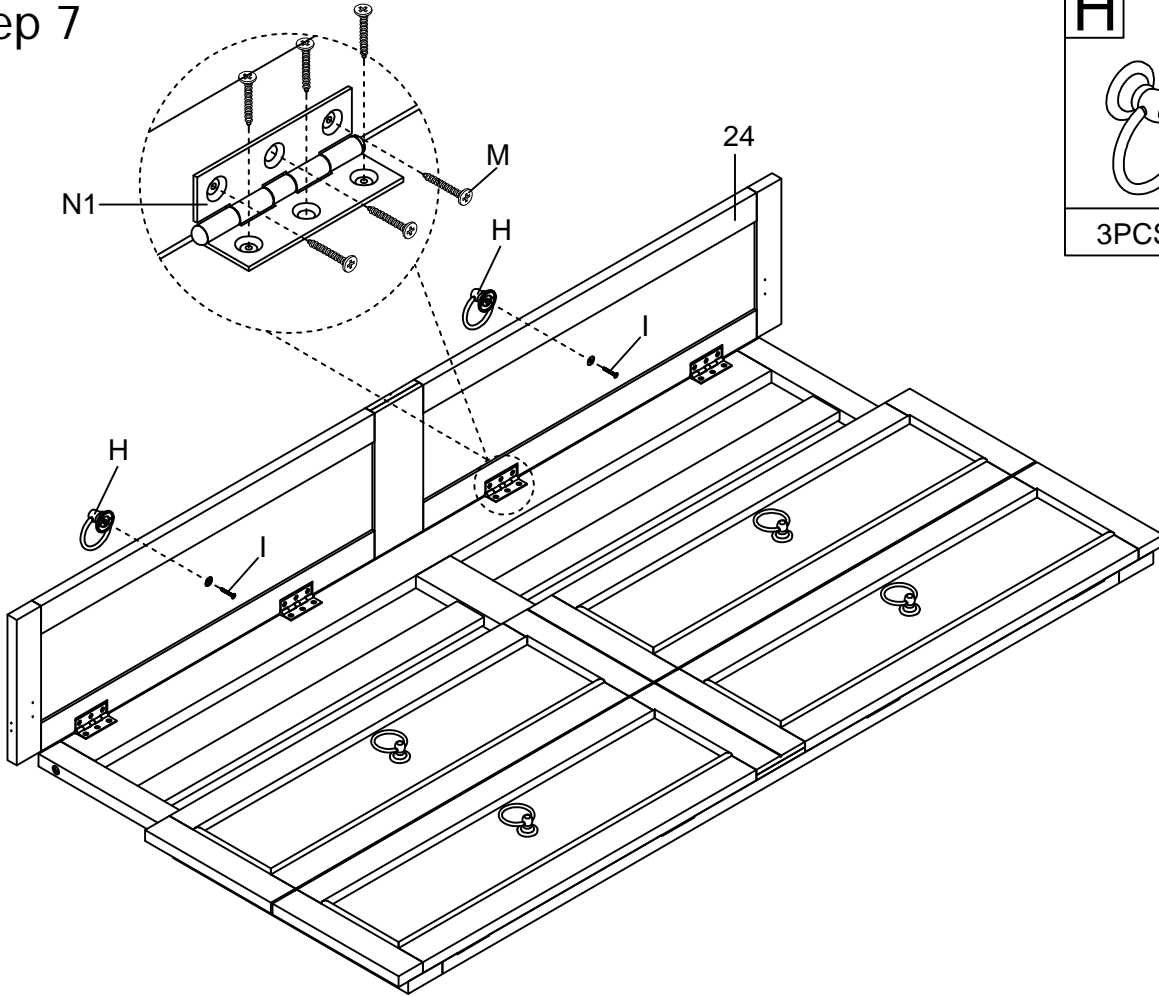
<b>E</b>	<b>F</b>
	
2PCS	2PCS

# Step 6



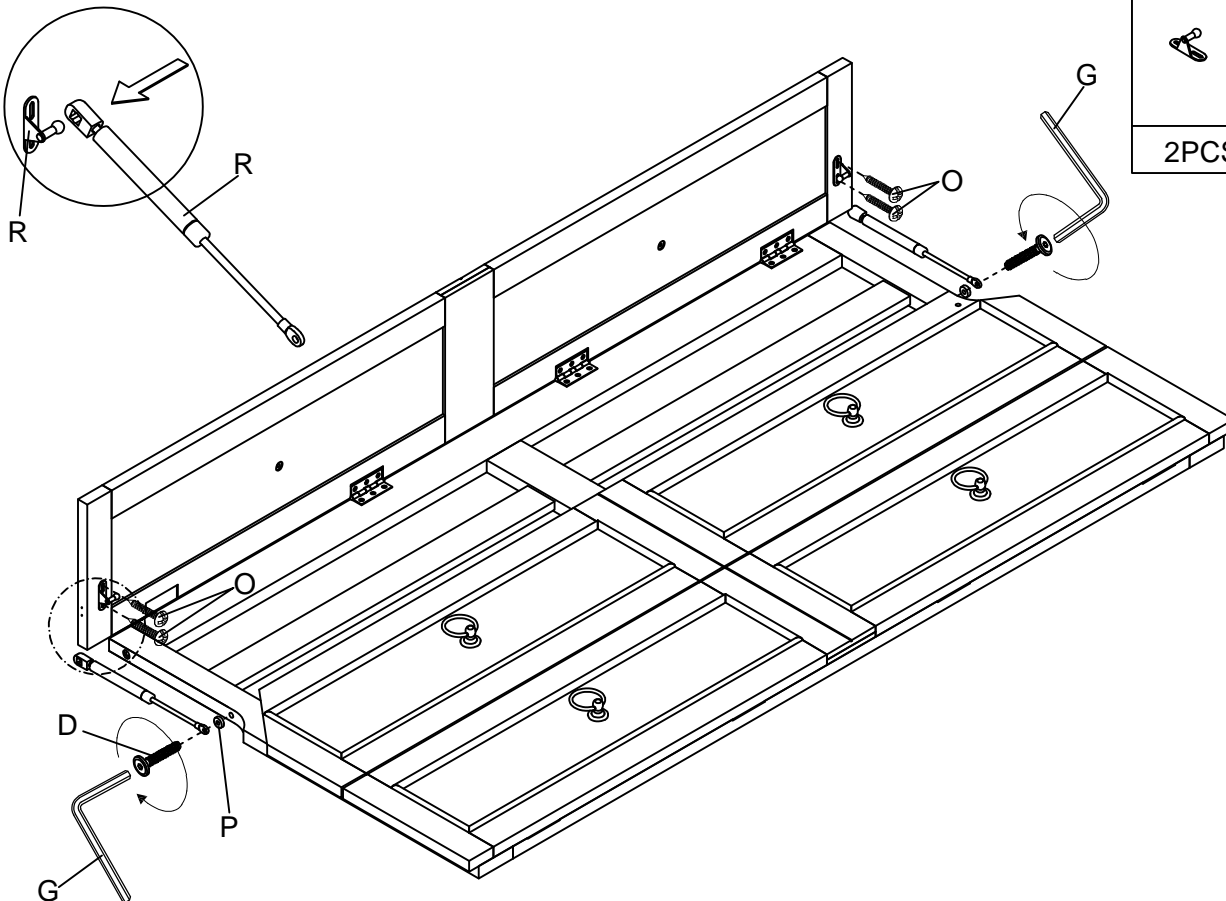
<b>D</b>	<b>H</b>
	
12PCS	4PCS
	<b>I</b>
	
	4PCS

# Step 7



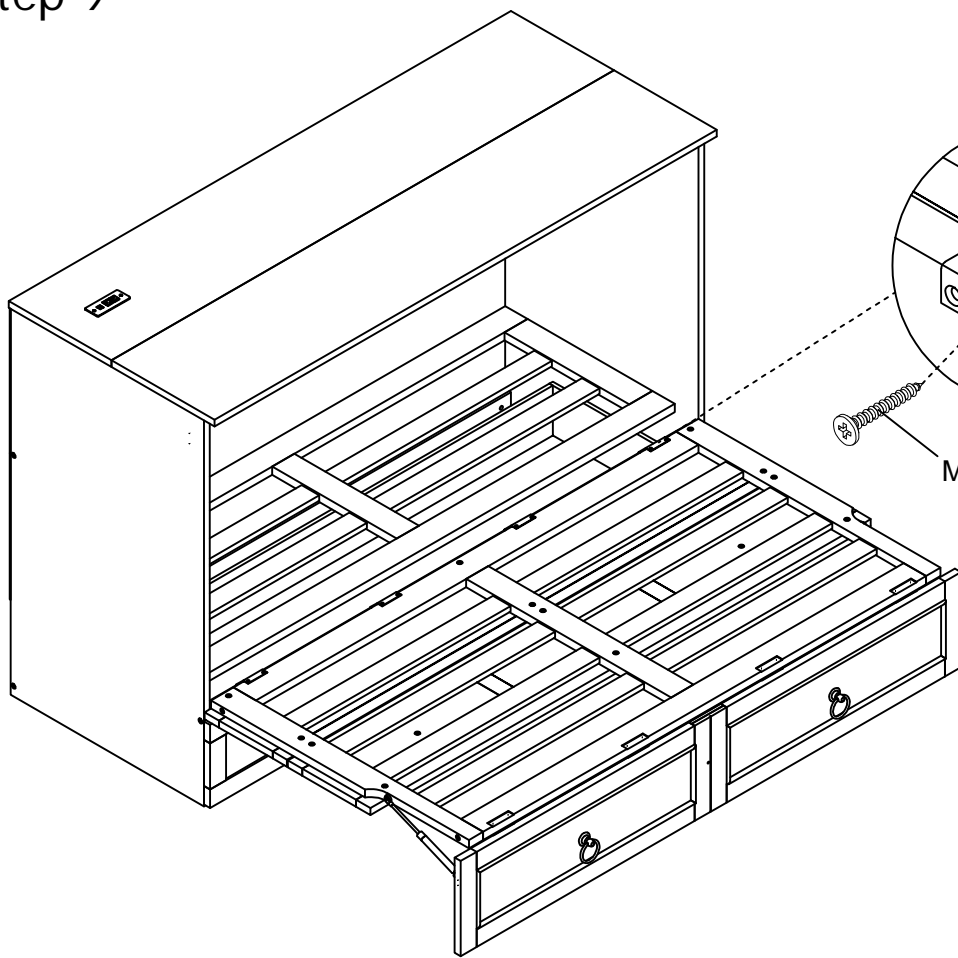
<b>H</b>		<b>I</b>	
3PCS		3PCS	
<b>N1</b>			
		4PCS	
<b>M</b>			
		24PCS	

# Step 8

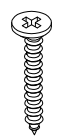


<b>R</b>		<b>P</b>	
2PCS		2PCS	
<b>D</b>			
		2PCS	
<b>O</b>			
		4PCS	

# Step 9

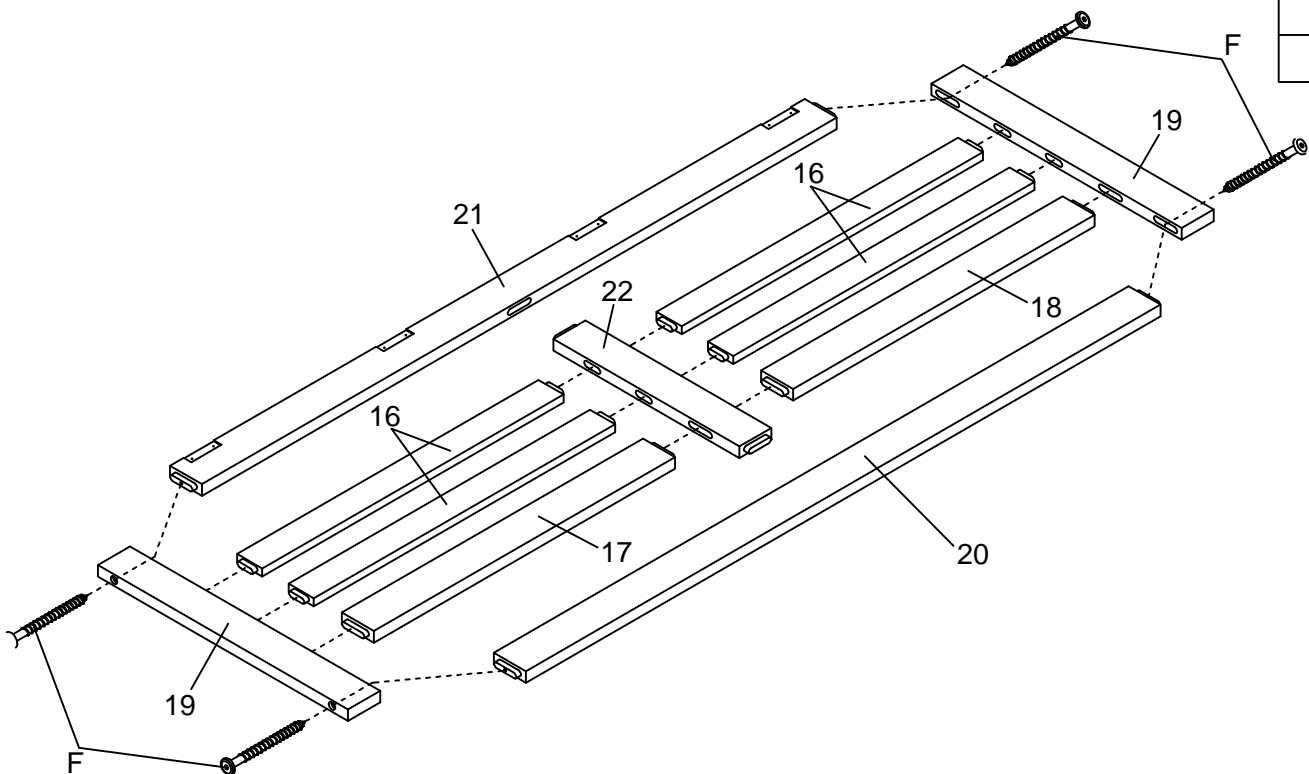


**M**



12PCS

# Step 10

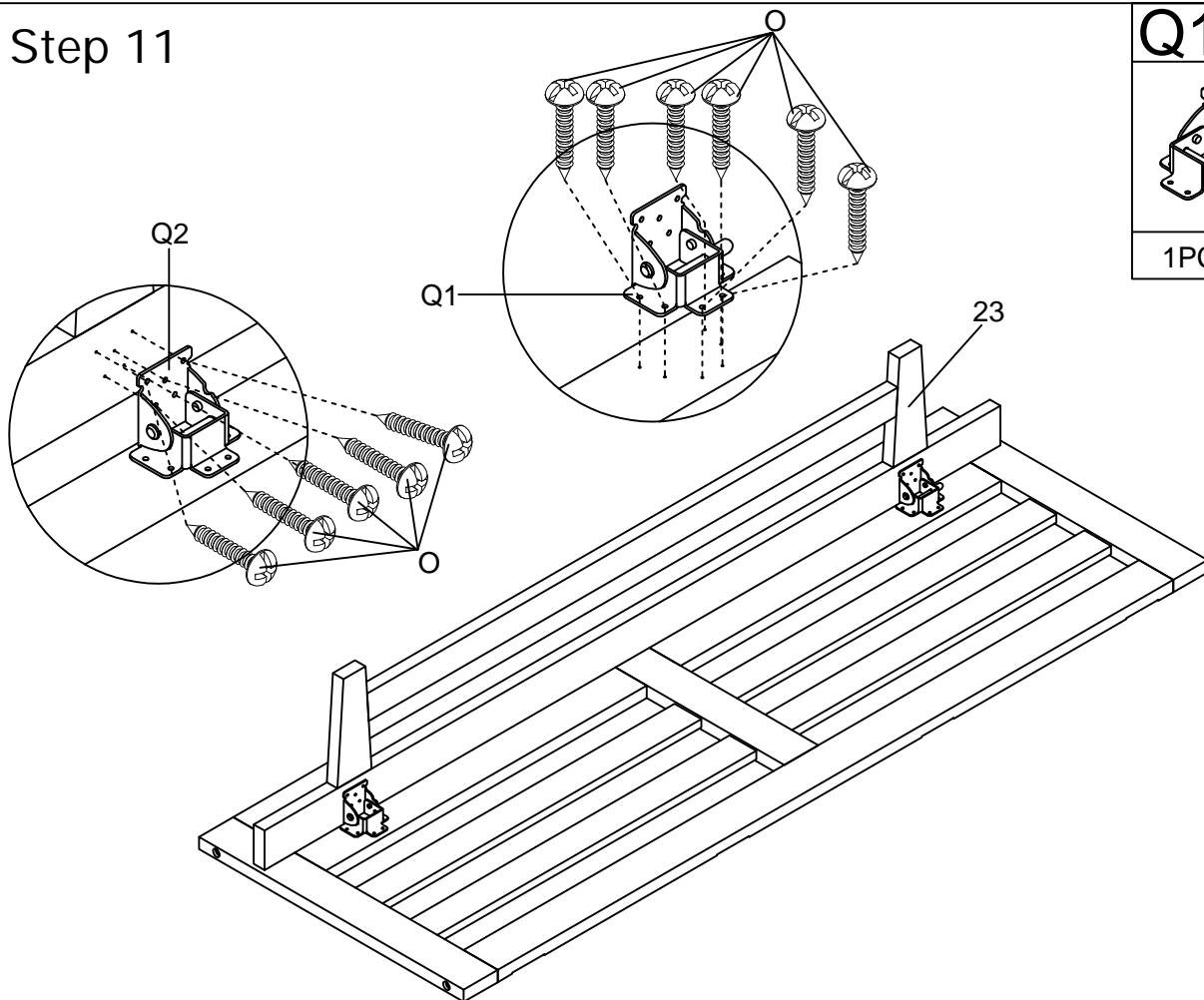


**F**



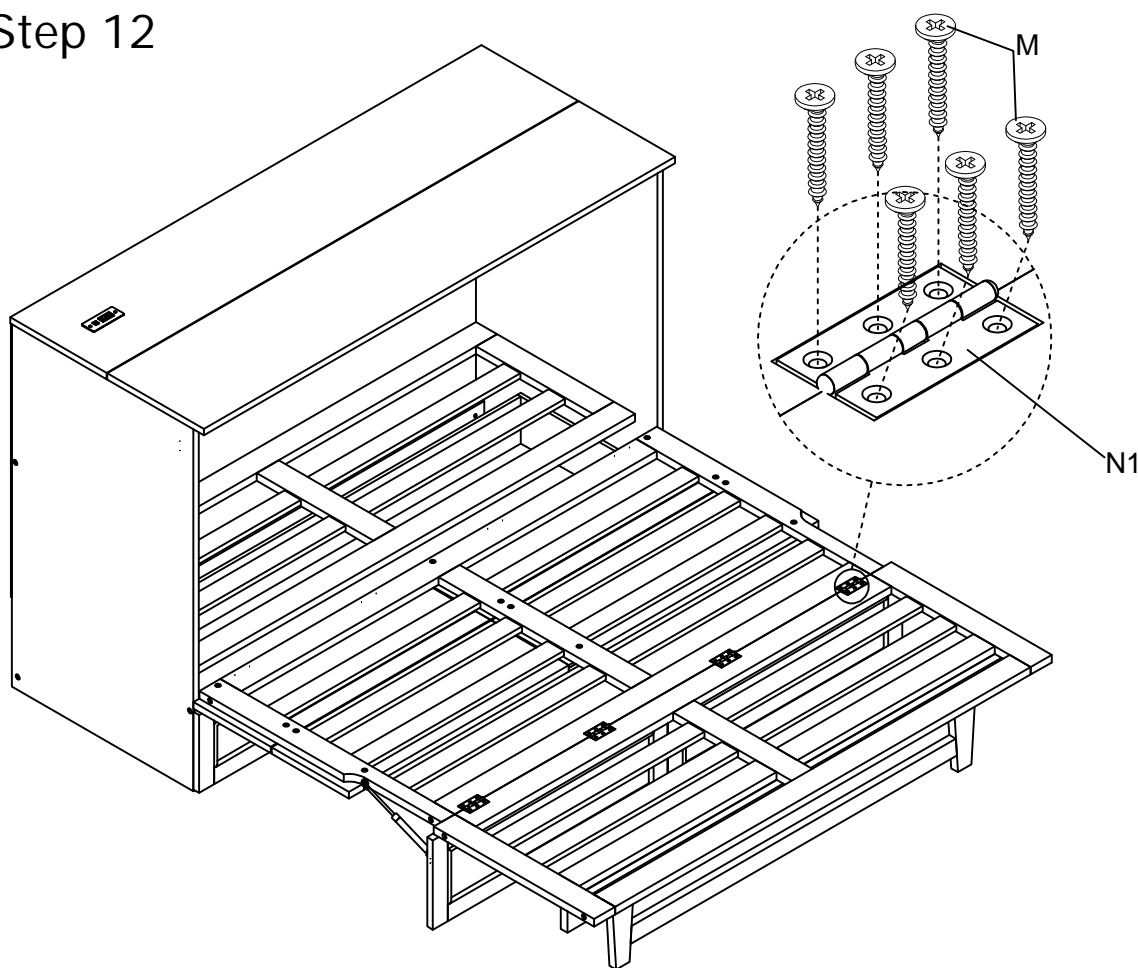
4PCS

# Step 11



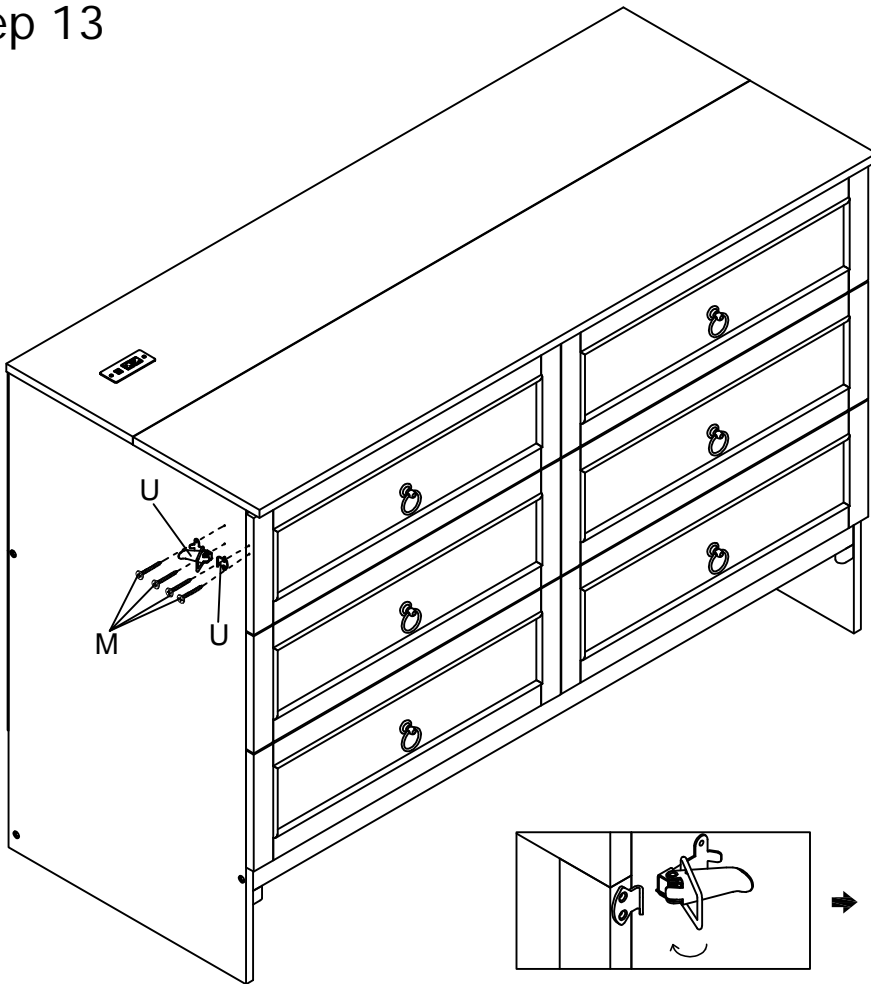
<b>Q1</b>	<b>Q2</b>
1PC	1PC
<b>O</b>	
22PCS	

# Step 12



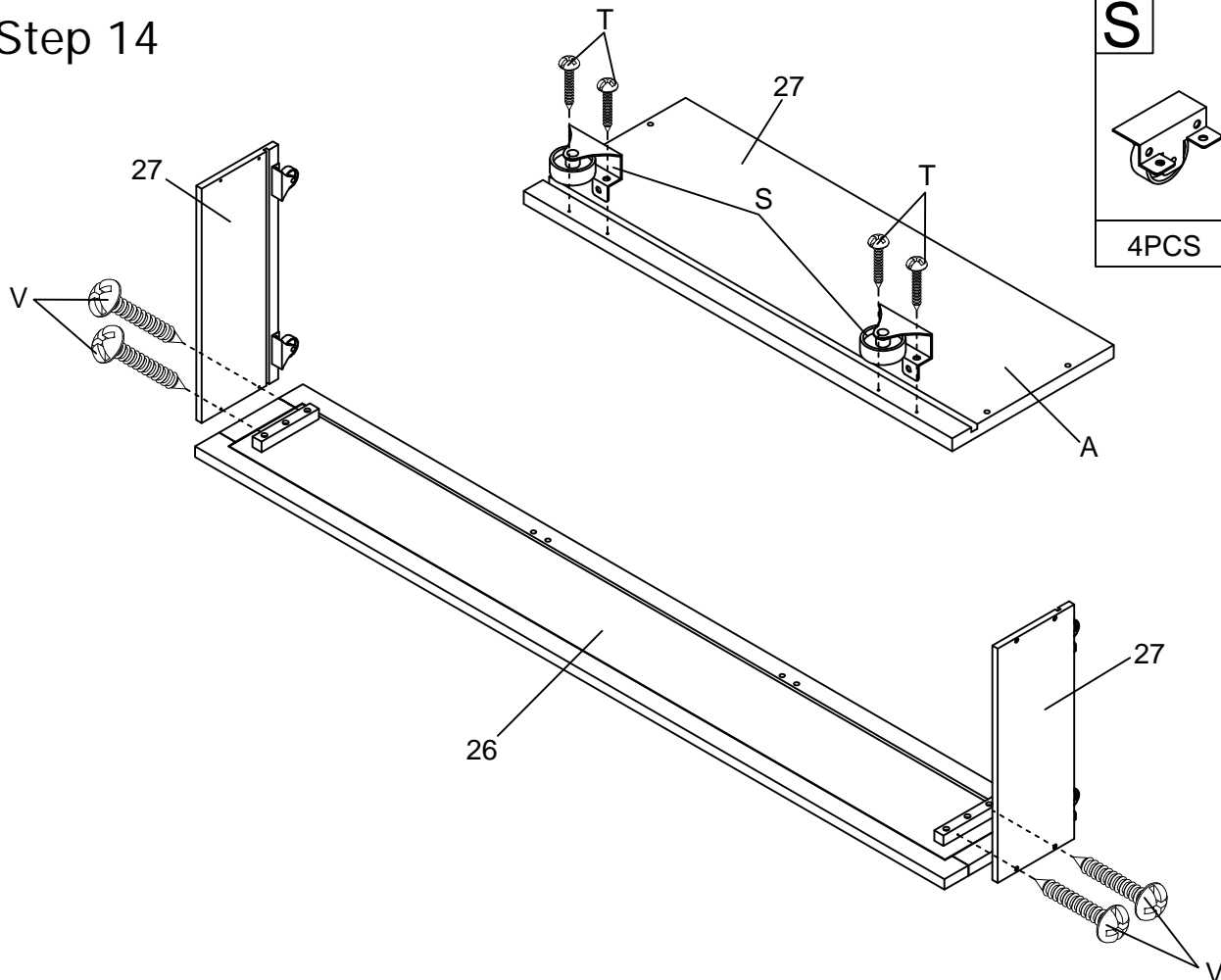
<b>N1</b>
4PCS
<b>M</b>
24PCS

# Step 13



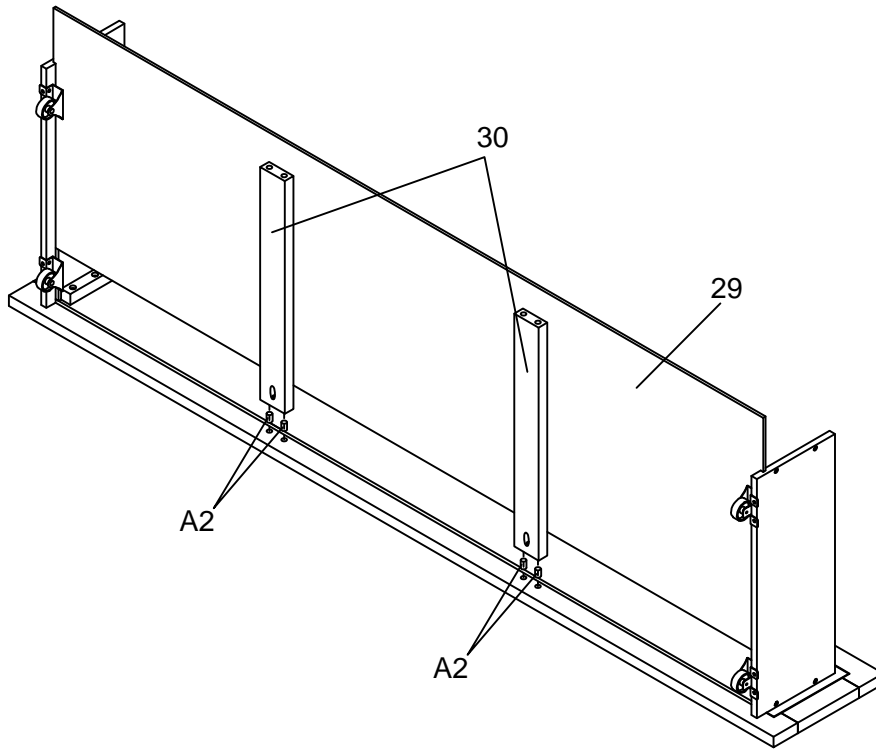
<b>U</b>	<b>M</b>
2PCS	8PCS

# Step 14



<b>S</b>	<b>T</b>
4PCS	8PCS
	<b>V</b>
	4PCS

# Step 15

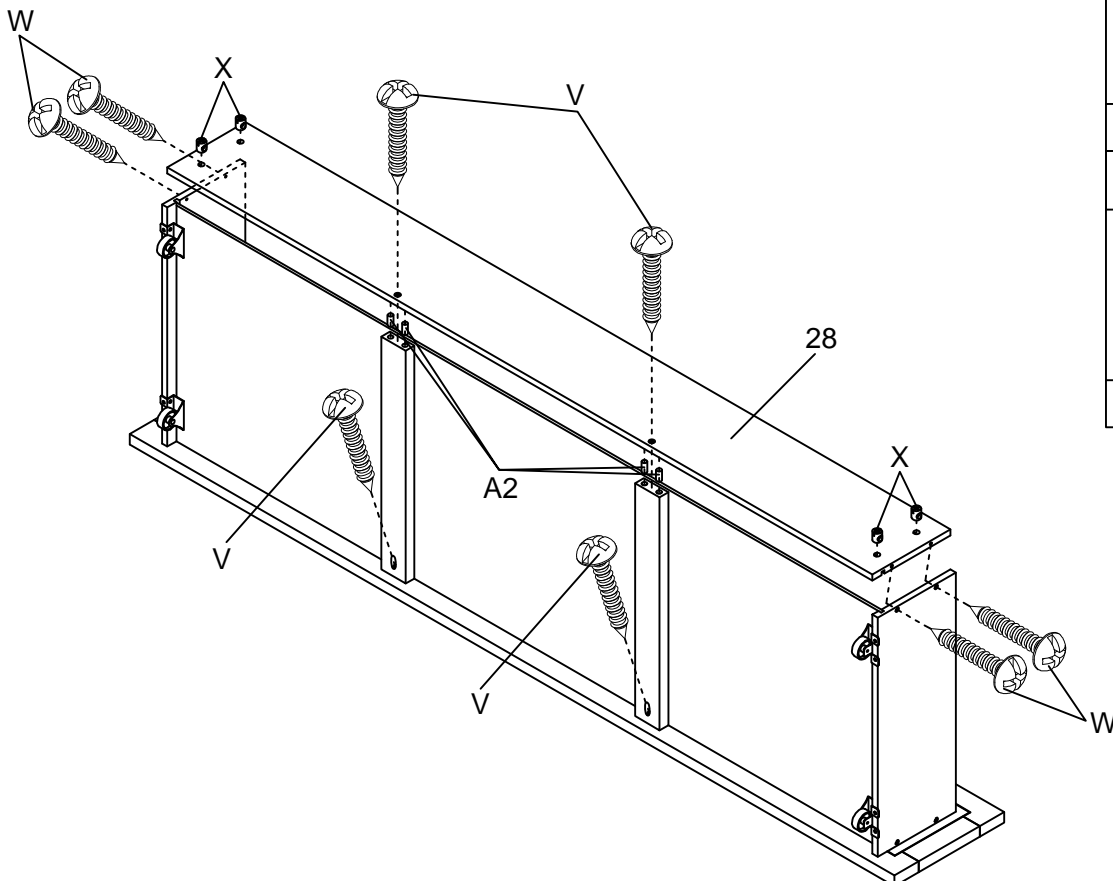


A2



4PCS

# Step 16



A2

X

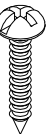
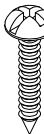


4PCS

4PCS

V

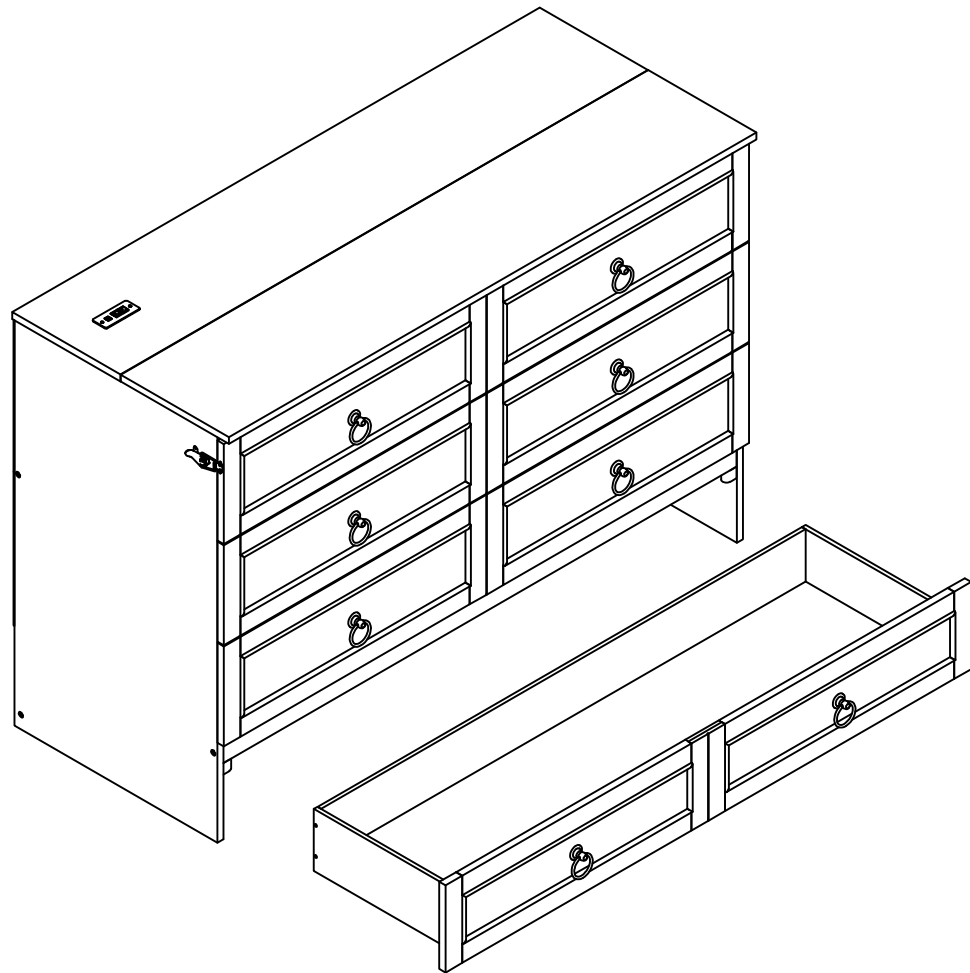
W



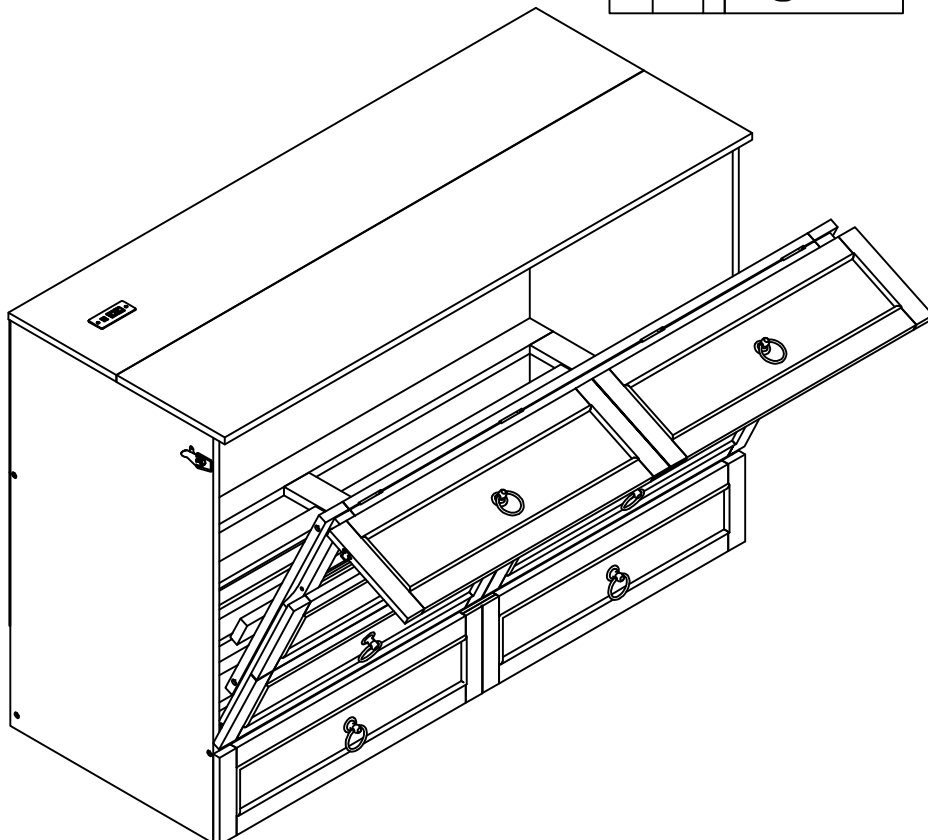
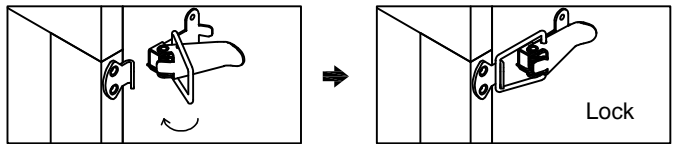
4PCS

4PCS

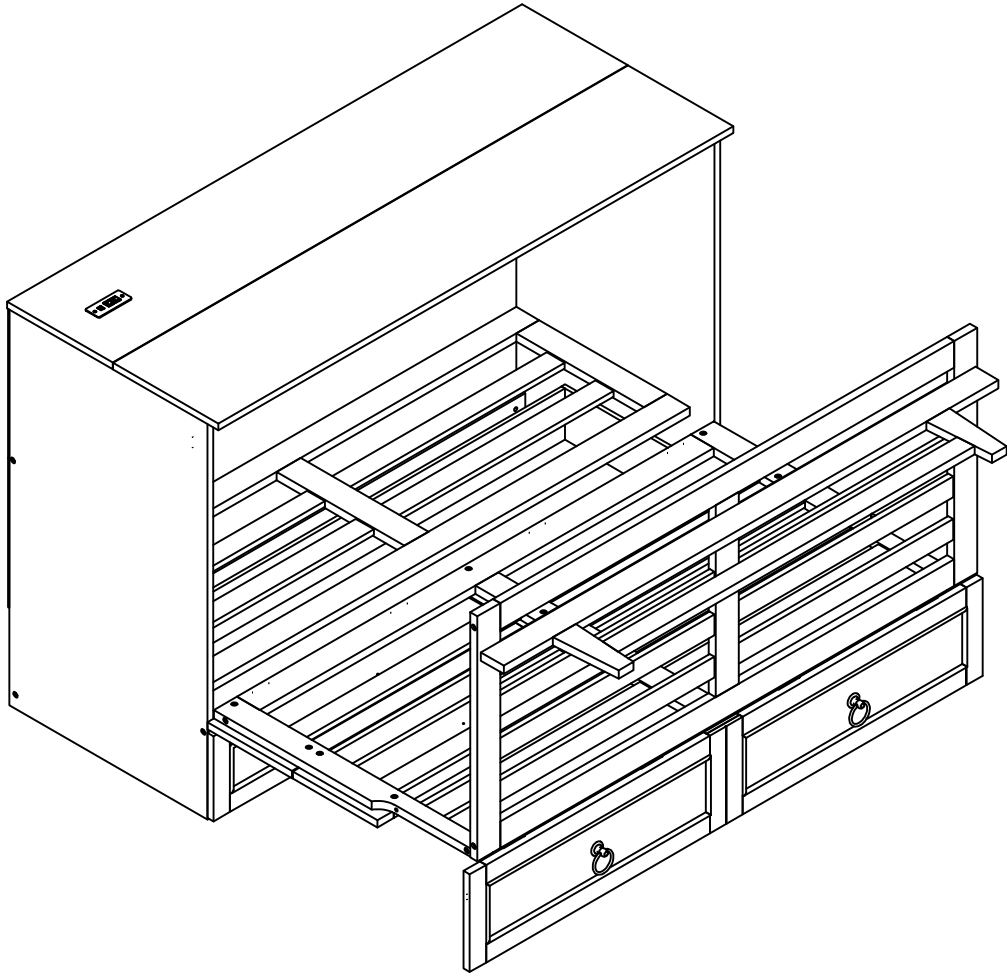
# Step 17



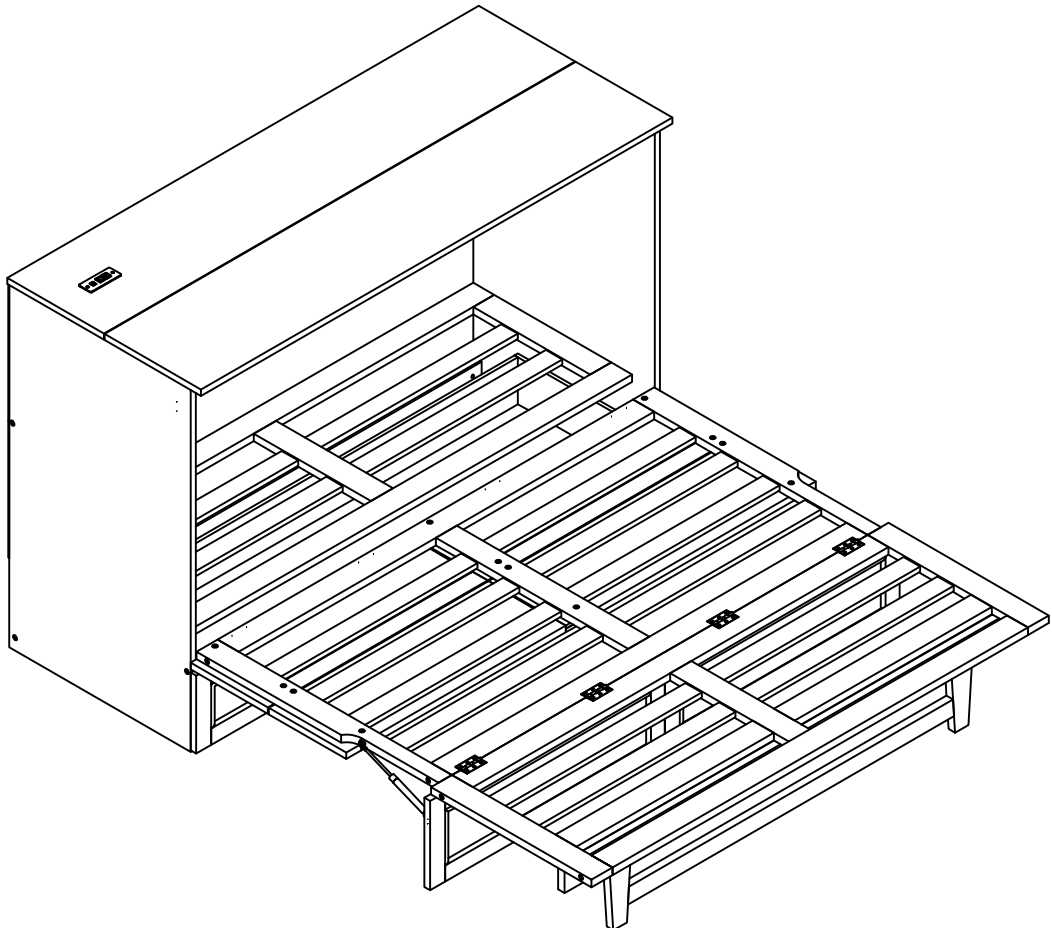
# Step 18



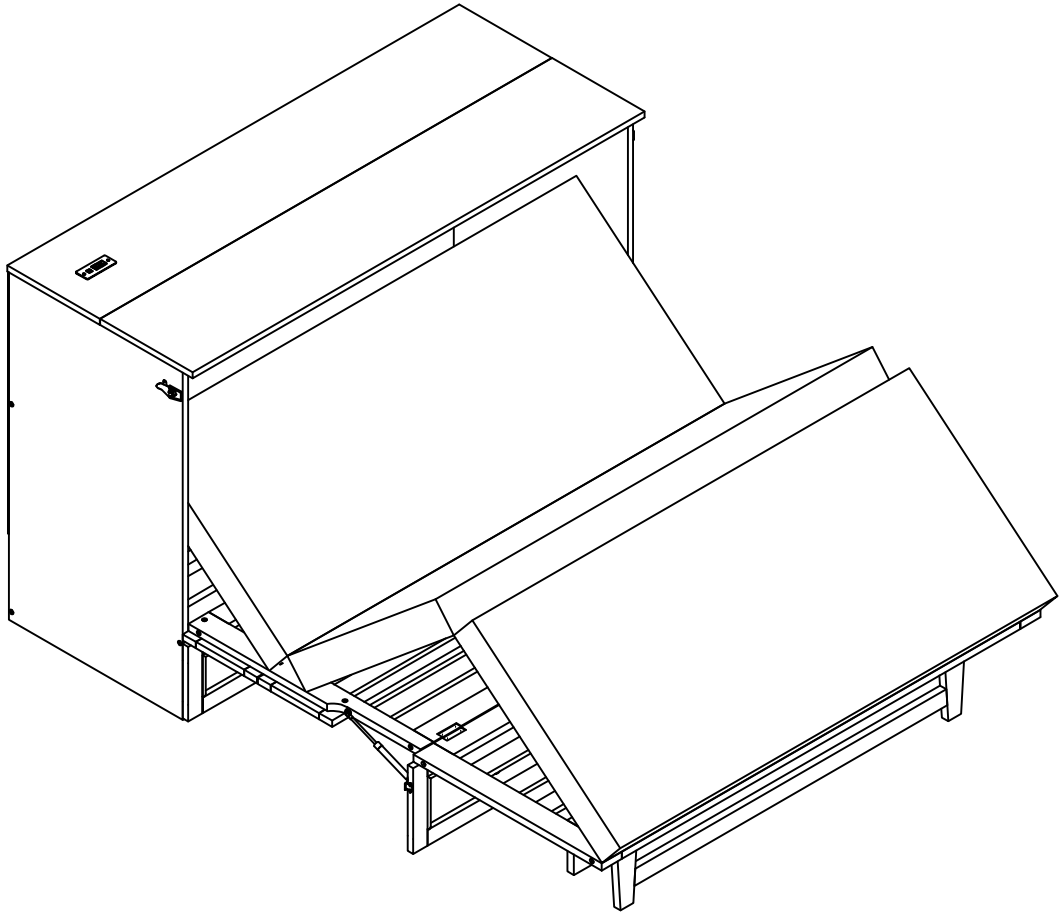
## Step 19



## Step 20



## Step 21



## Step 22

