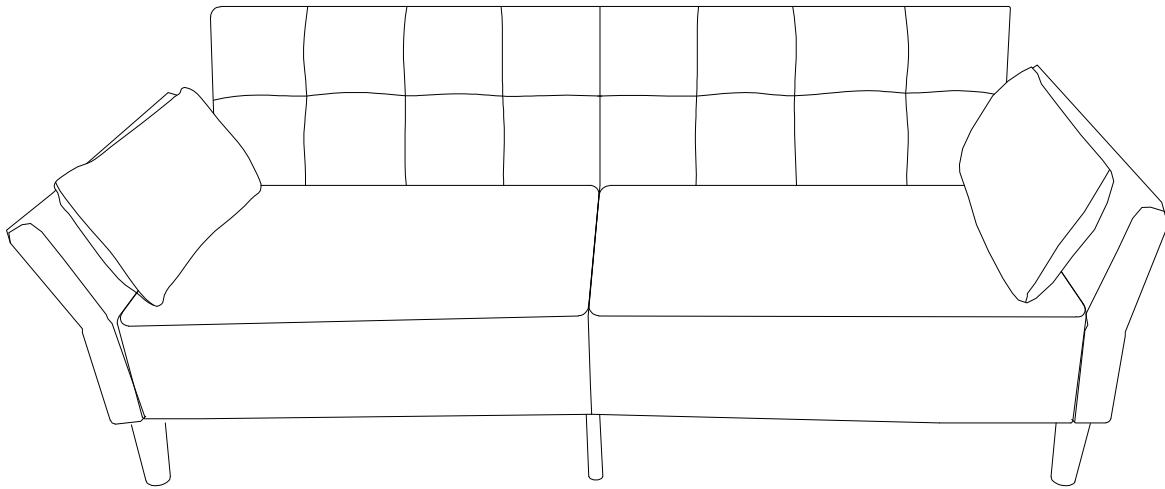


# Installation Manual



# MODULAR SECTIONAL SOFA

## -MIDDLE SOFA MODULE



### Trouble Shooting:

Missing / Wrong /Broken parts and installation issues



Send email with your question,pic and order No. to us



Respond within 24 hours



Issue resolved

## INTRODUCTION

Thank you for purchasing our products. Committed to providing customers with the best quality products and service has always been our lifelong goal. Before using the product, please read this instruction manual carefully to ensure correct use. Keep the instruction manual in a place where the user can find it at any time.

## PRECAUTIONS

1. The package contains several components and accessories, each labeled with a letter or number. Before using any product, check labels carefully. To prevent accidents, keep children and animals away from the work area.
2. Make sure you have enough room to place the parts before you start, and assemble the product as close to its final location as possible.
3. To avoid scratching or damaging the surface of the product, install it on a clean, soft surface such as carpet or cardboard.
4. Note that the main parts of the product are relatively heavy. Pay great attention to safety during installation.
5. Avoid moving the product randomly during installation, otherwise it may be unstable. Wait for it to fully install before doing anything else.
6. It is recommended that two people work together for easier assembly.
7. If you have any questions during the installation process, please contact customer service for help in time.

\*PLEASE BE SURE TO FOLLOW THE INSTALLATION STEPS IN THE MANUAL TO AVOID UNNECESSARY LOSSES CAUSED BY IMPROPER INSTALLATION.

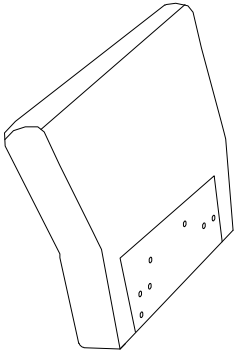
\*IF YOU NEED FUTHER ASSIATANCE, PLEASE CONTACT THE CUSTOMER SERVICE ONLINE.

## CARE ADVICE

1. Use a damp cloth or mild detergent for cleaning. Avoid bleach or abrasive cleaners.
2. Promptly clean spills to prevent stains or damage.
3. Avoid using acetone, ammonia, or sodium hydroxide-based products. These chemicals can harm the surface or cause discoloration.
4. Avoid placing furniture in front of heat sources.
5. Use mats to protect surfaces from moisture and heat.
6. Regularly check for loose screws and tighten them promptly.

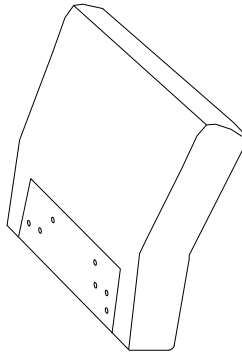
\*Please check if all the pieces listed below are received

**1** Right Armrest



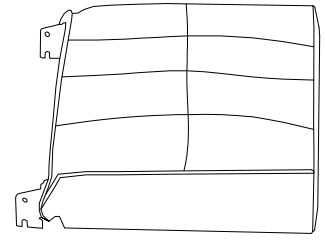
x1

**2** Left Armrest



x1

**3** Backrest



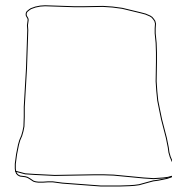
x2

**4** Seat



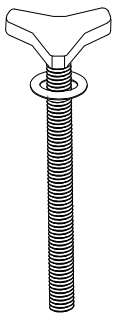
x2

**5** Pillows



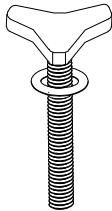
x2

**A** M8\*120mm



x2

**B** M8\*70mm



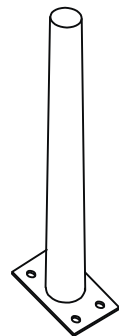
x4

**C** 50\*70\*180mm



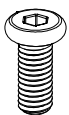
x4

**D** 75\*280mm



x2

**E** M8\*15mm



x36

**F** M5



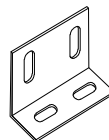
x1

**G** M8



x2

**H** 50\*75mm



x4

**J** 30\*75mm

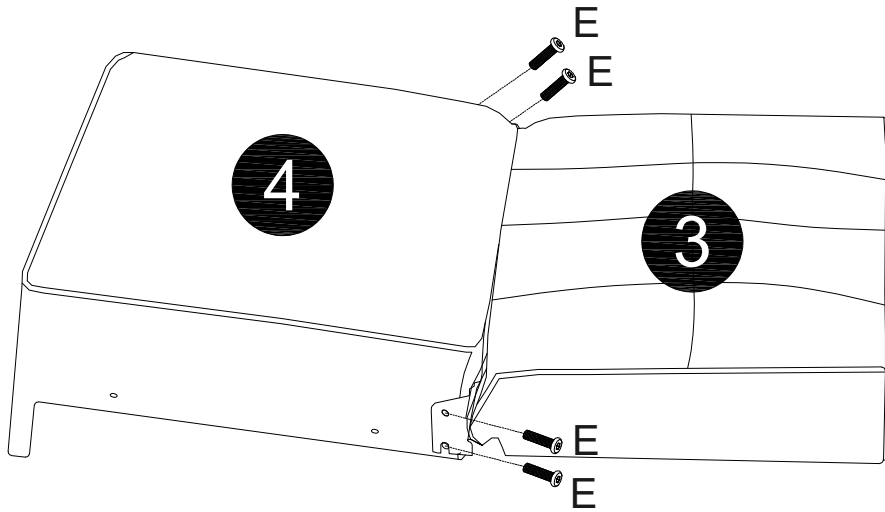


x2

1

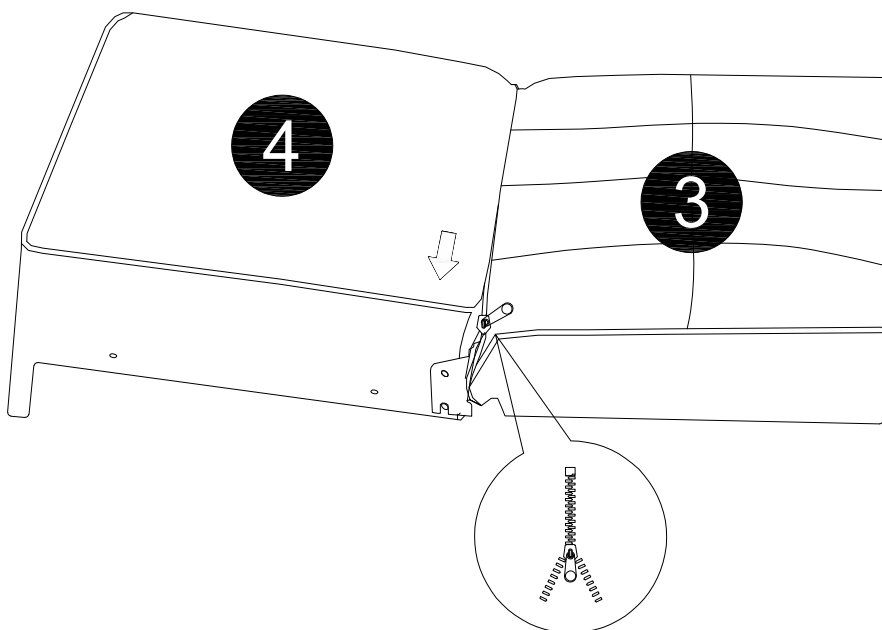
YOU WILL NEED

Ex8



x2

2



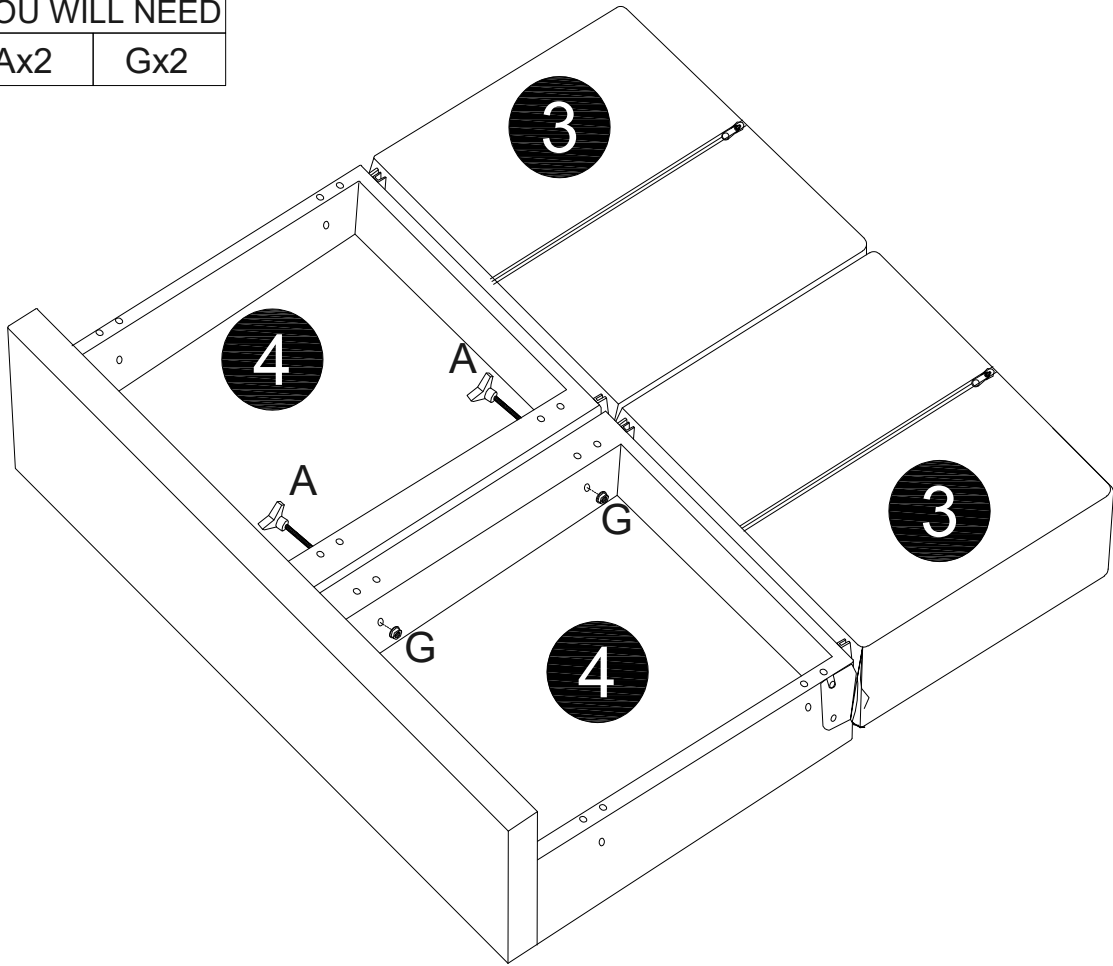
x2

3

YOU WILL NEED

Ax2

Gx2

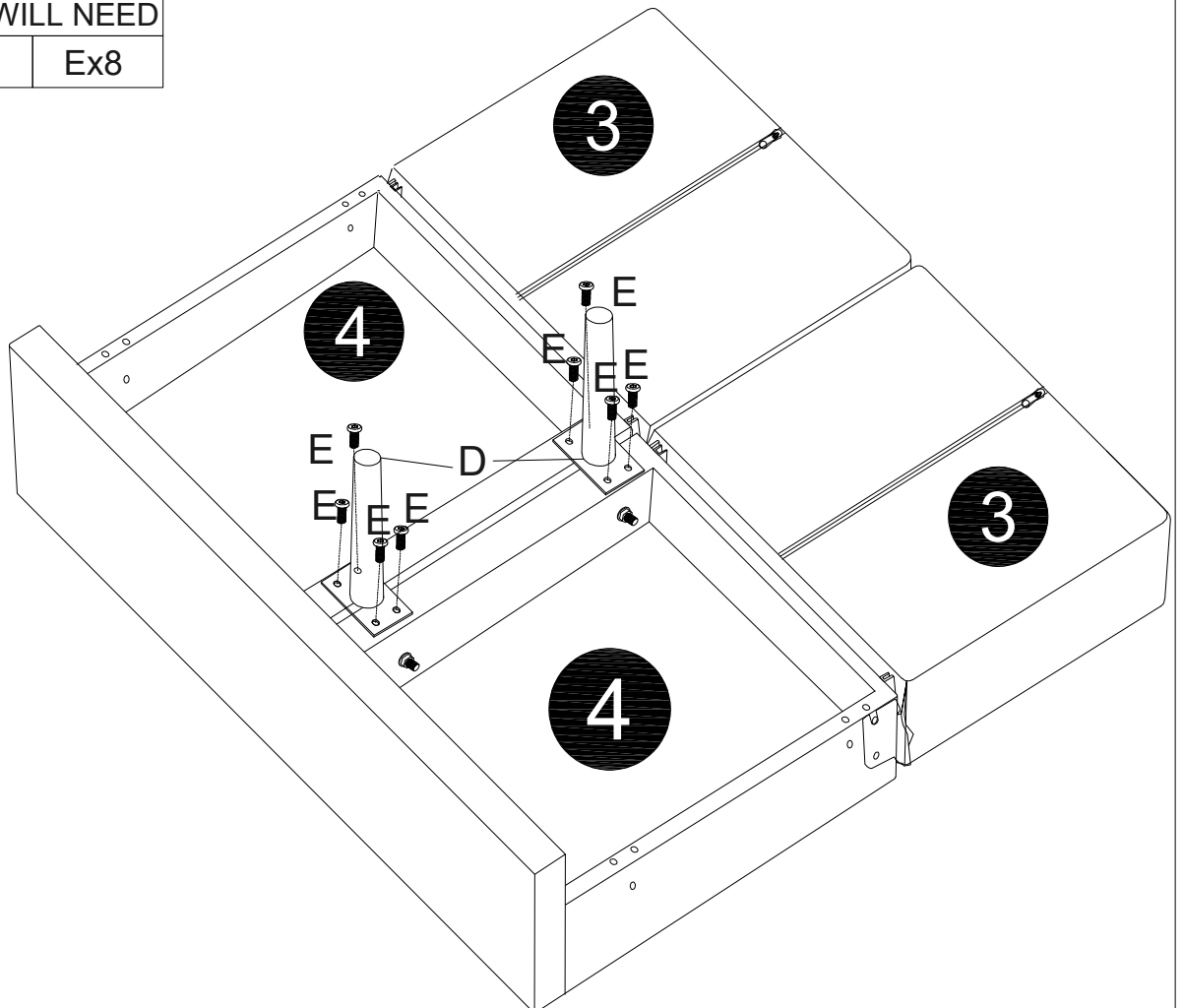


4

YOU WILL NEED

Dx2

Ex8



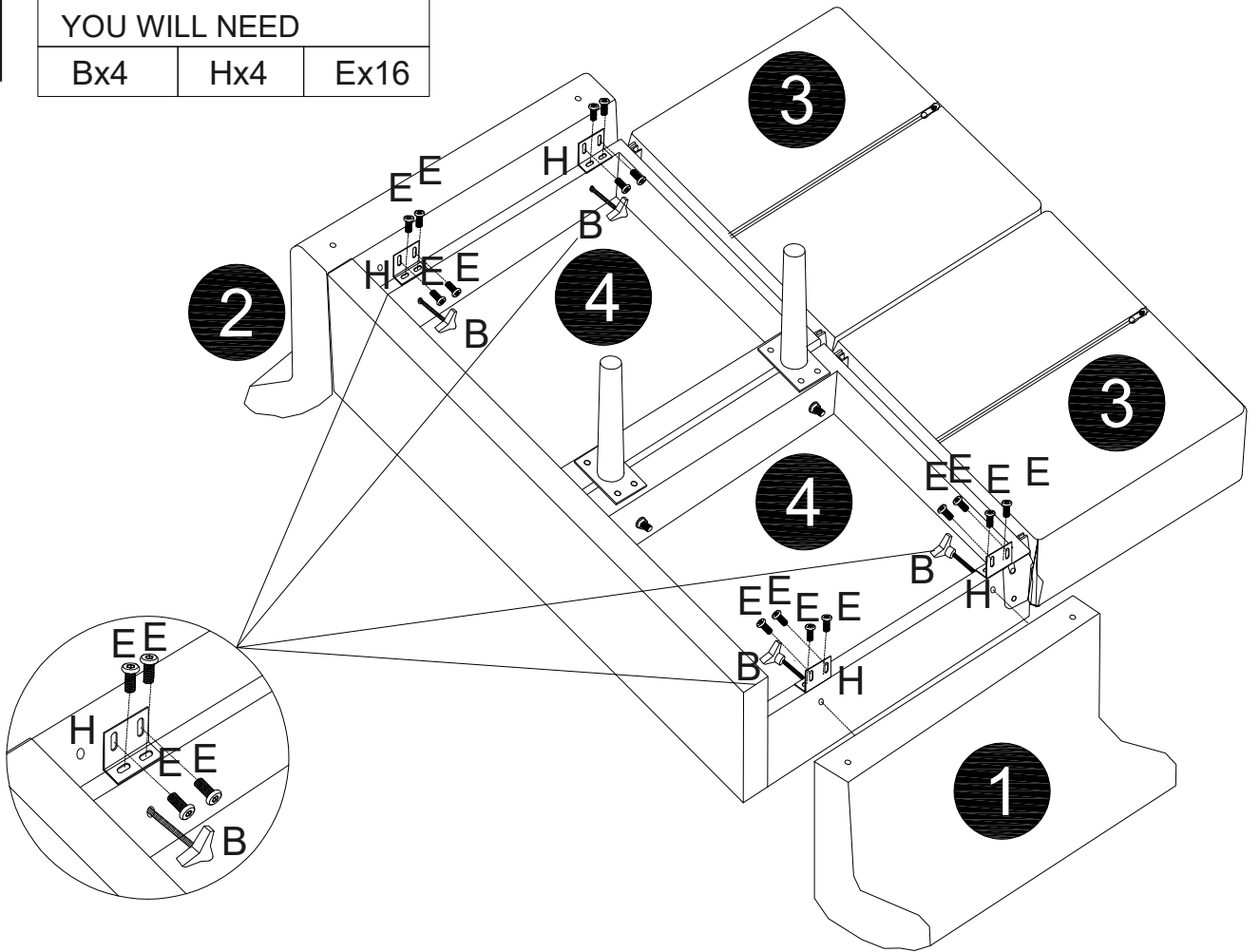
5

YOU WILL NEED

Bx4

Hx4

Ex16

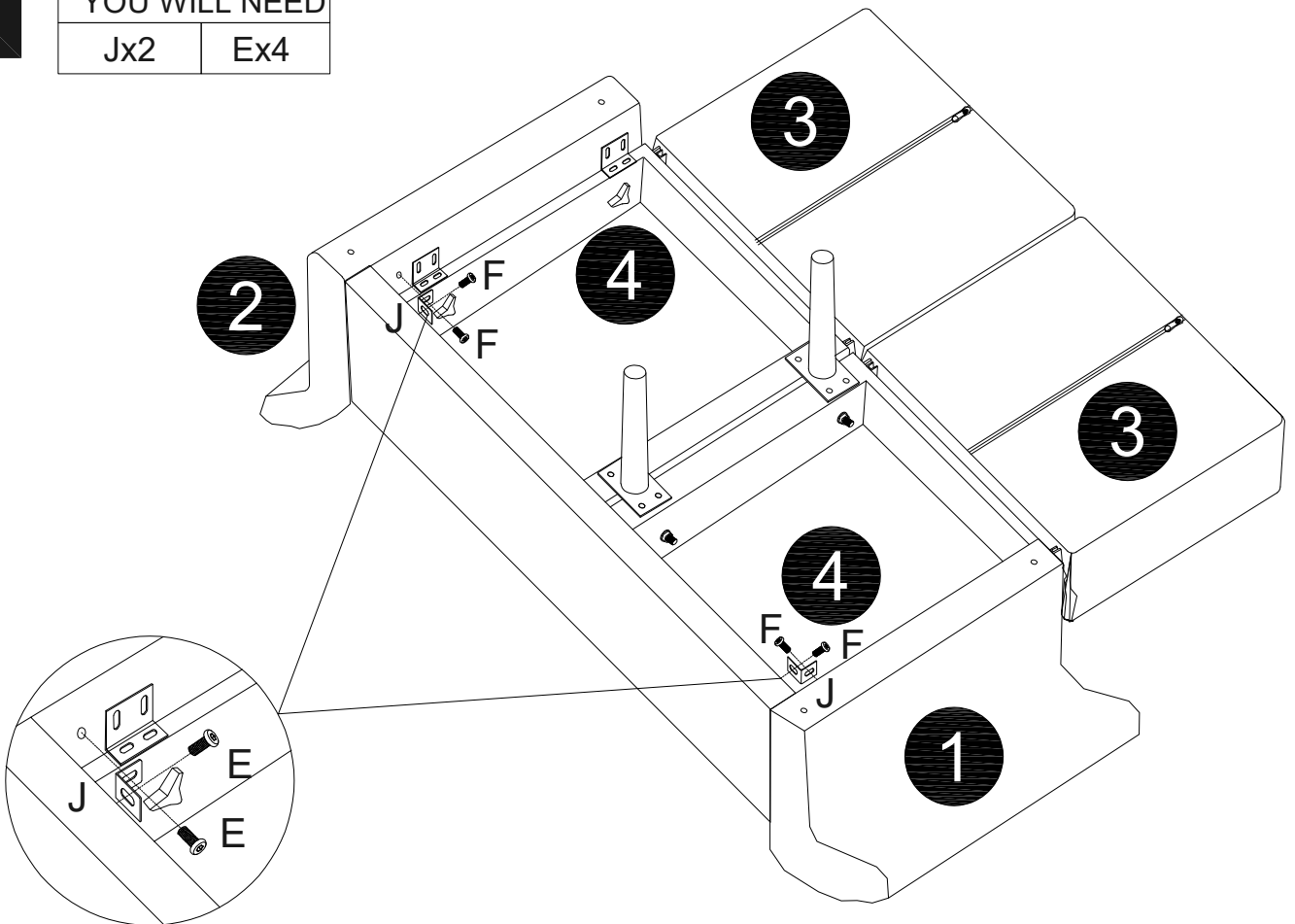


6

YOU WILL NEED

Jx2

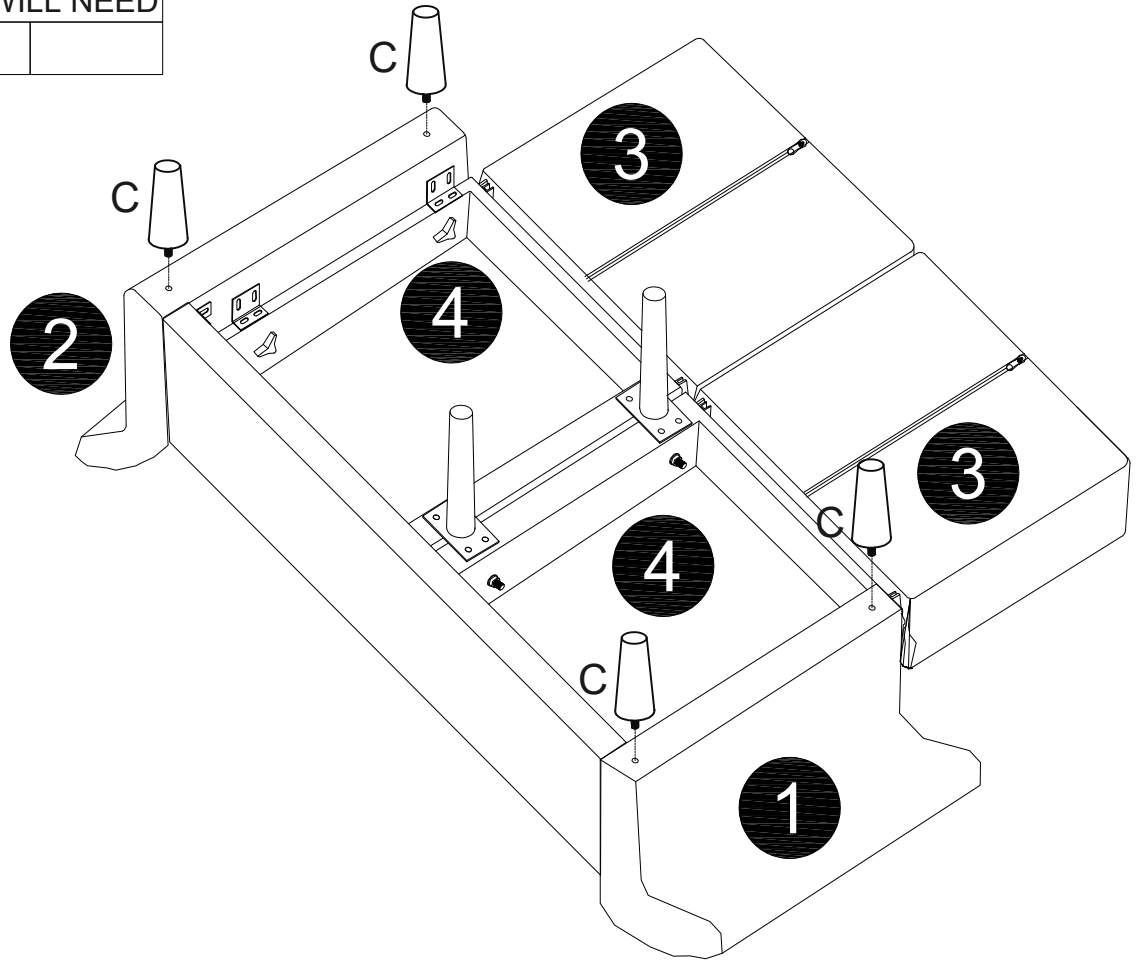
Ex4



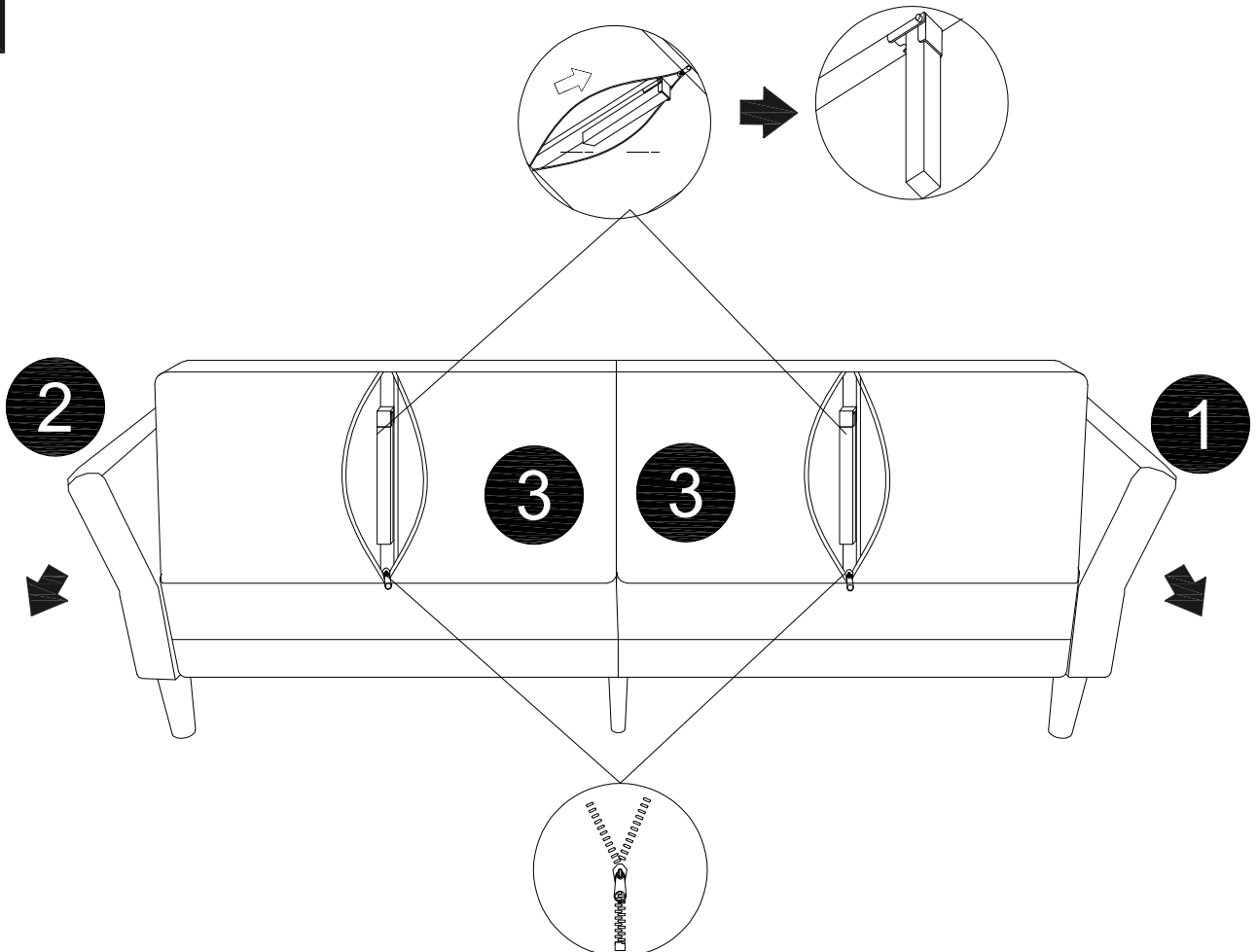
7

YOU WILL NEED

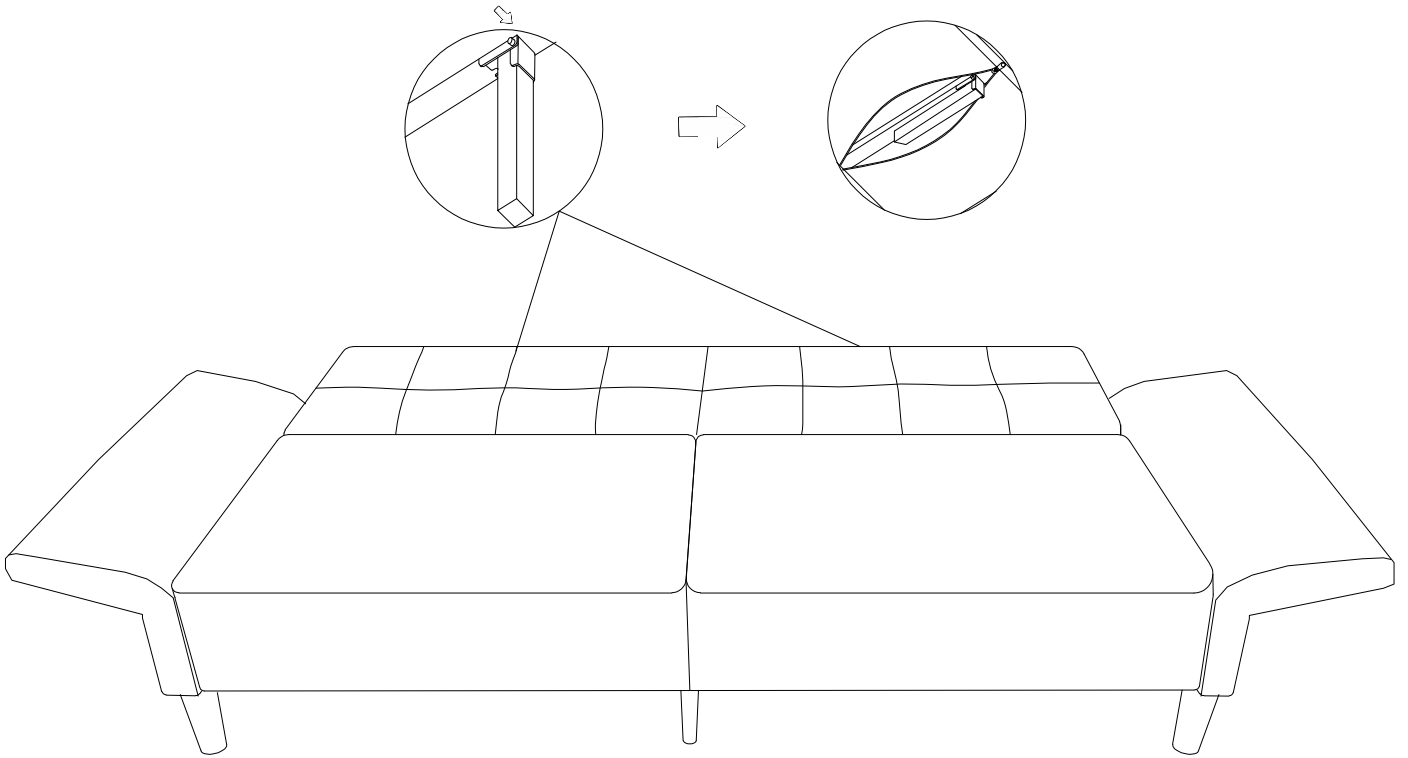
Cx4



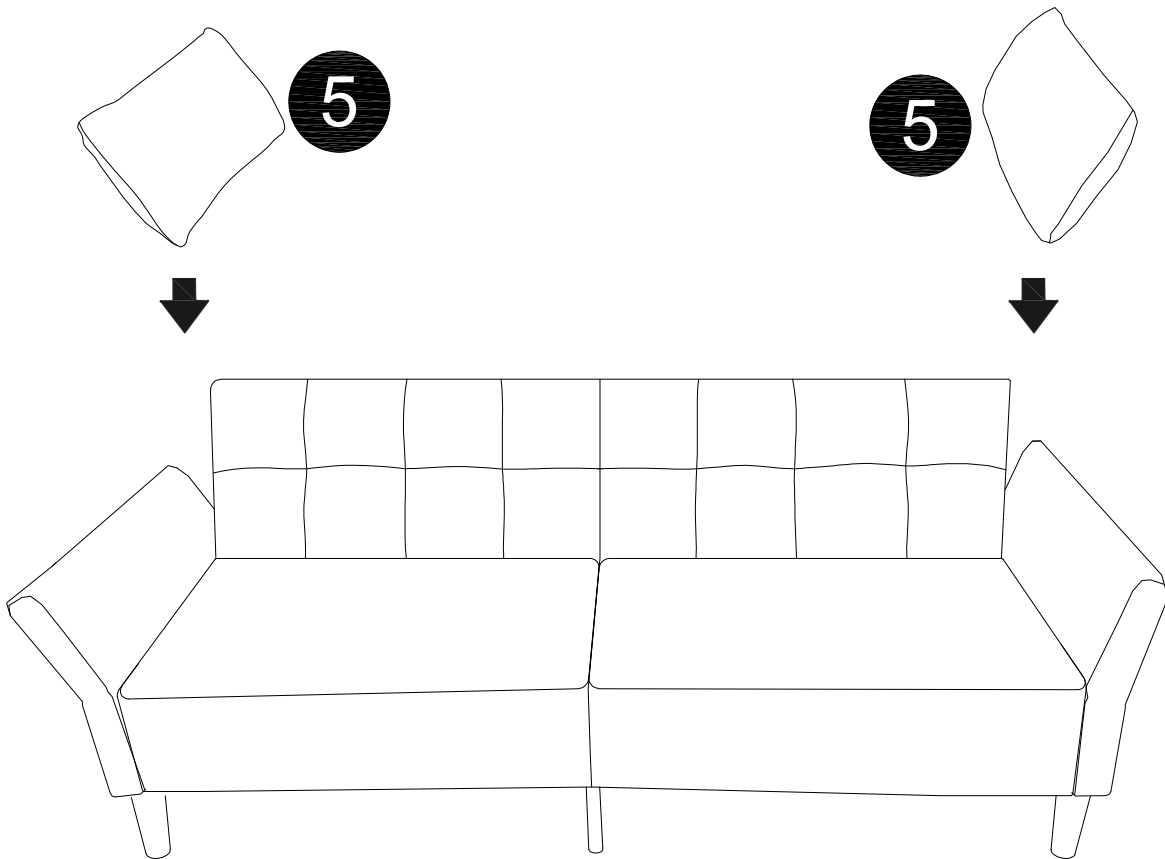
8

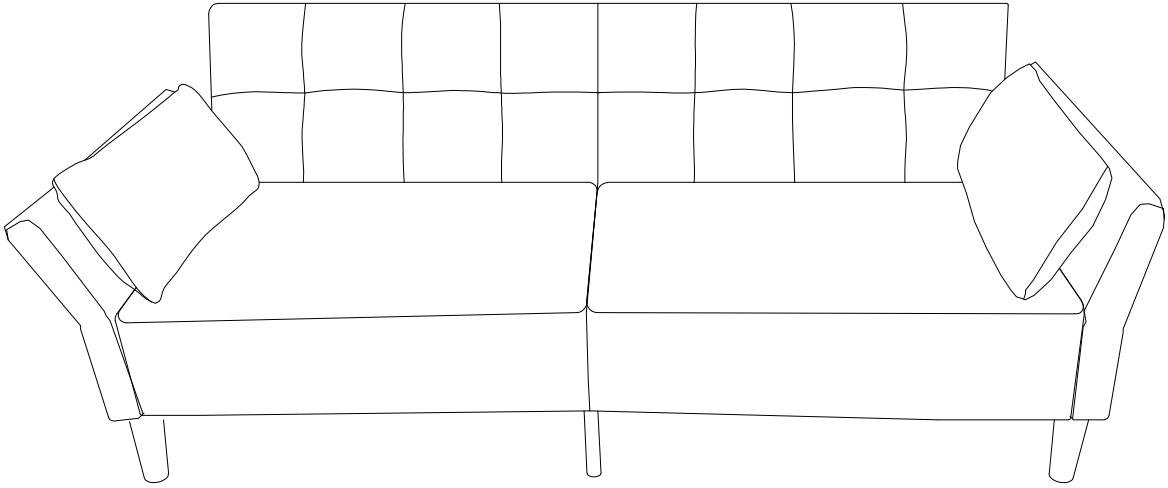


9



10





## IMPORTANT SAFETY INFORMATION

Please carefully read the instructions and caution warnings below before assembling the product. Following this guide will ensure that you install, use and maintain the product properly.

- Please keep this installation and user manual/instructions for future reference in case you need to assemble the product
- Do not assemble if you notice serious damage such as cracks or bends.
- During installation, please use work gloves for hand safety.
- Please assemble the unit on carpeted floor or the flat cardboard box to avoid scratching the surface or your floor while assembling on the floor.
- To assemble, please use the complimentary installation tools (Allen Wrench). Pay more attention to the direction of components at each step.
- It is recommended that two people work together to assemble the product.
- Please do not tighten the screws up too much, just to 80% before you finish to make the installation go on successfully.

## HOW TO MAINTAIN YOUR PRODUCT:

- Check the screws of the product are not loose from regular use.
- Do not use sharp instruments, rubbing alcohol, corrosive chemicals, or abrasive cleaners to clean the product.
- Do not keep the product in a damp environment for a long period of time. The damp environment may cause the iron components to rust and the plates to bulge and crack.