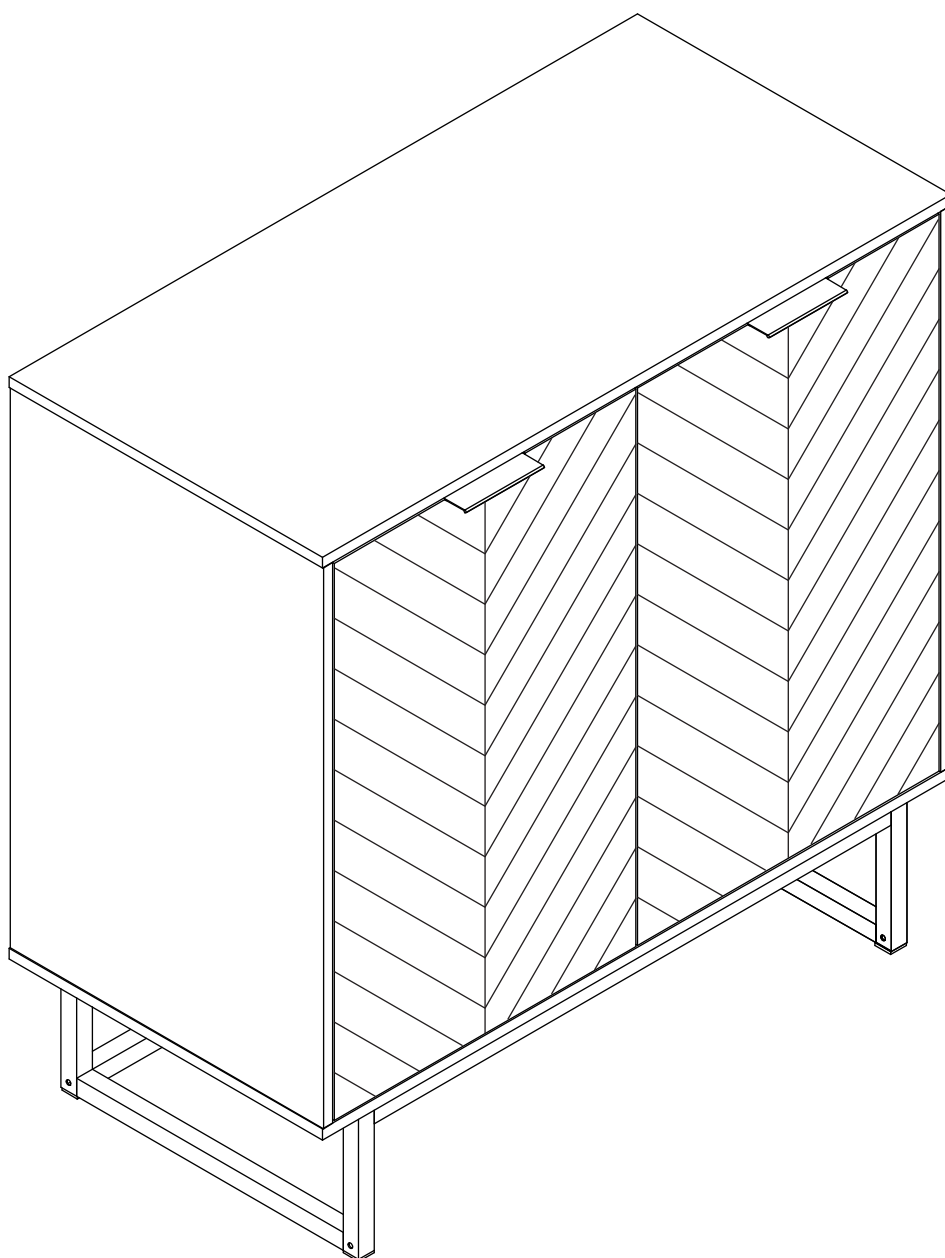
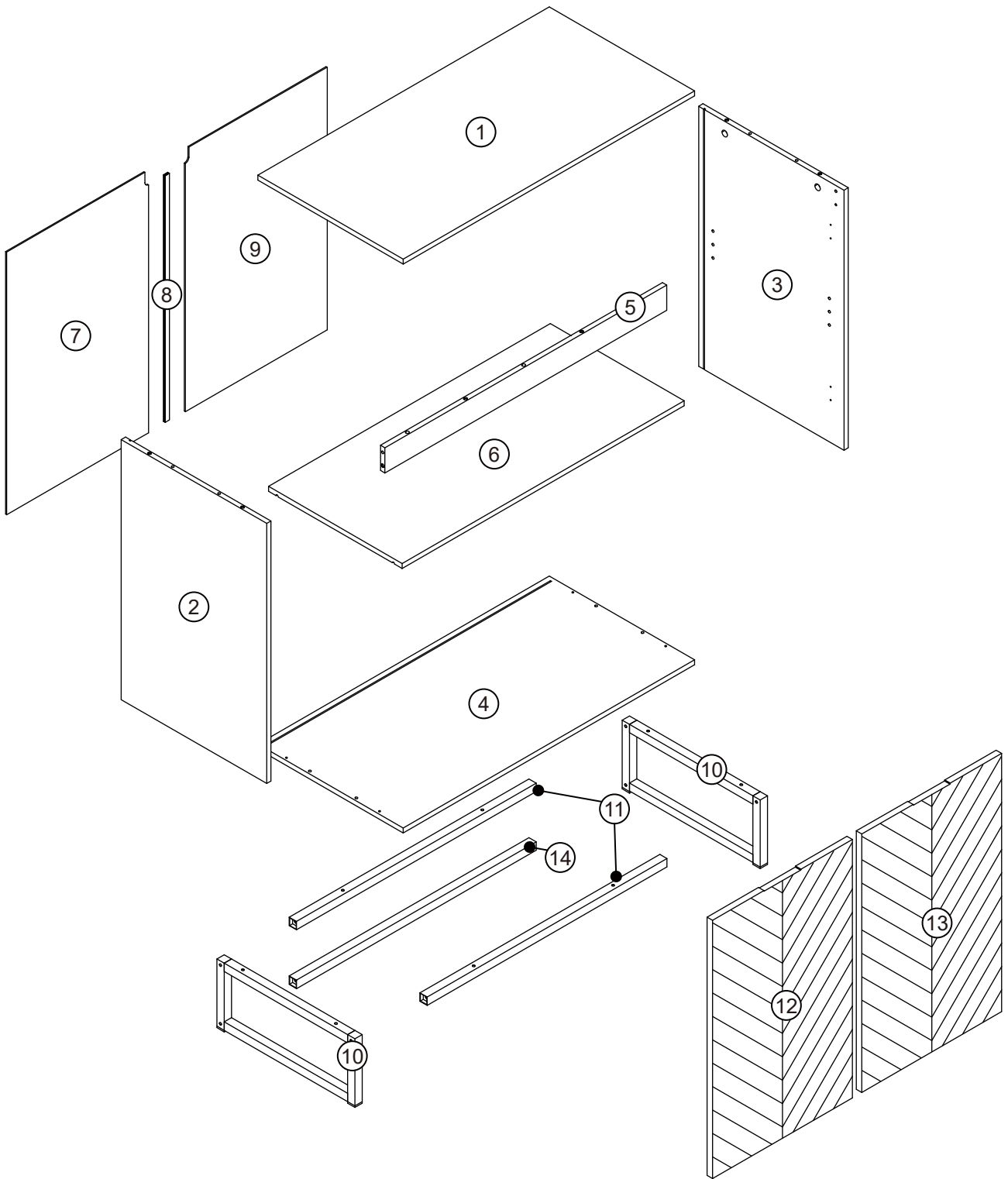


ASSEMBLY INSTRUCTIONS



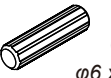




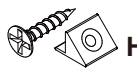
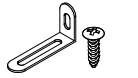
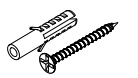
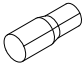
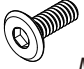


<<Before assembling, read all instructions>>



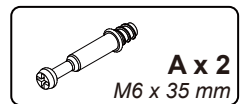
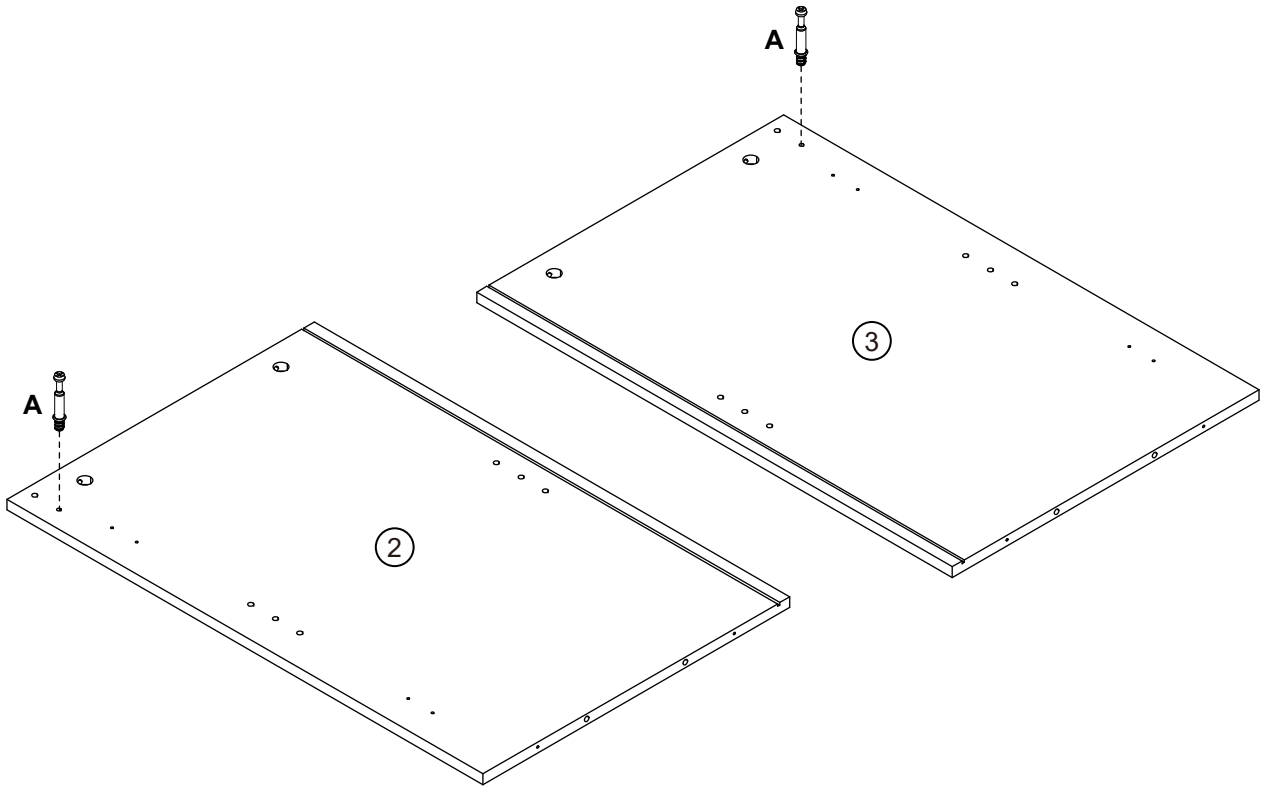
Exploded View



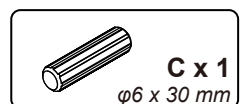
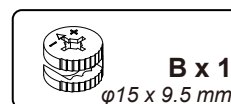
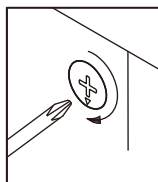
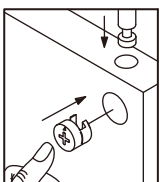
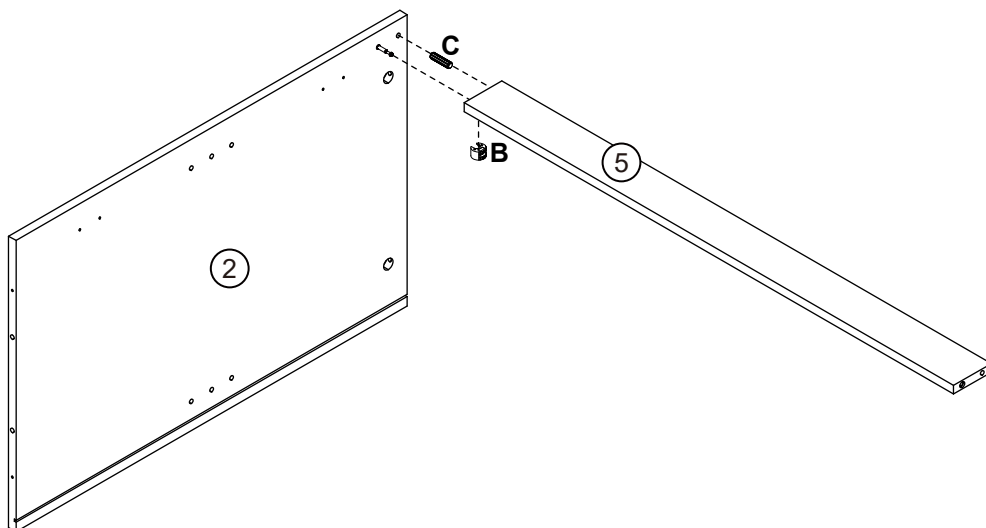
Fittings

 A x 8 M6 x 35 mm	 B x 8 φ15 x 9.5 mm	 C x 13 φ6 x 30 mm	 D x 4 φ4 x 35 mm	 E x 16 φ4 x 12 mm
 F x 4	 G x 2	 H x 10	 I x 1	 J x 1
 K x 4	 L x 8 M6 x 28 mm	 M x 6 M6 x 40 mm	 N x 1 M4	

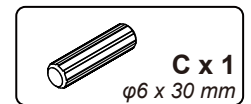
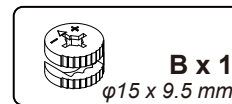
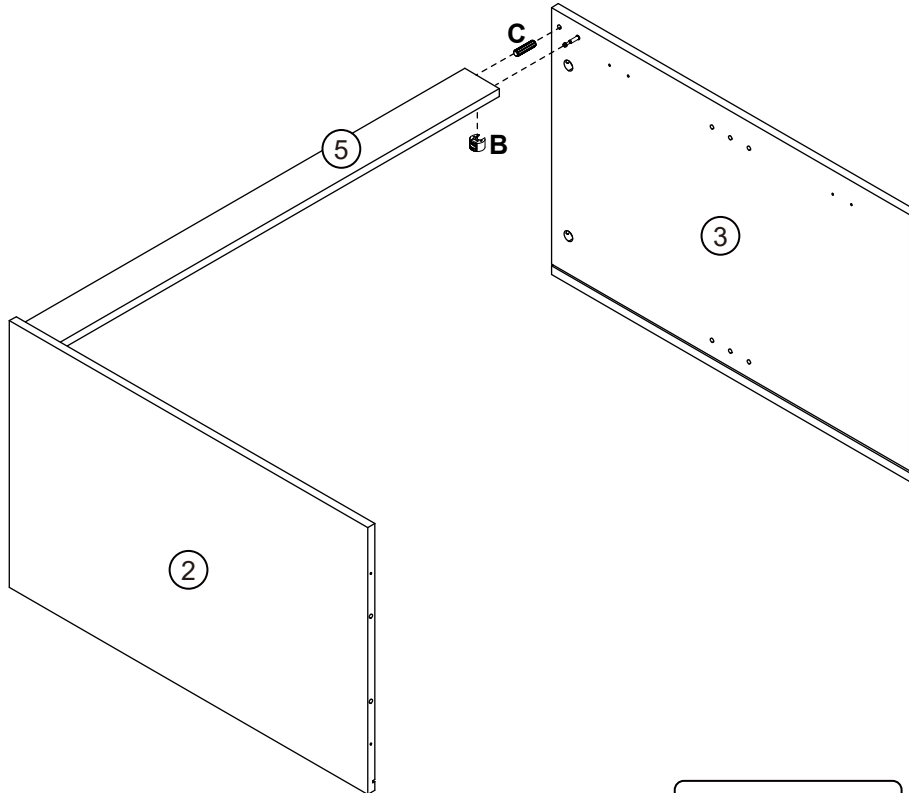
Step 1



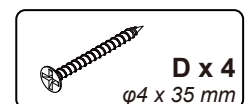
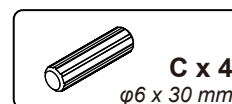
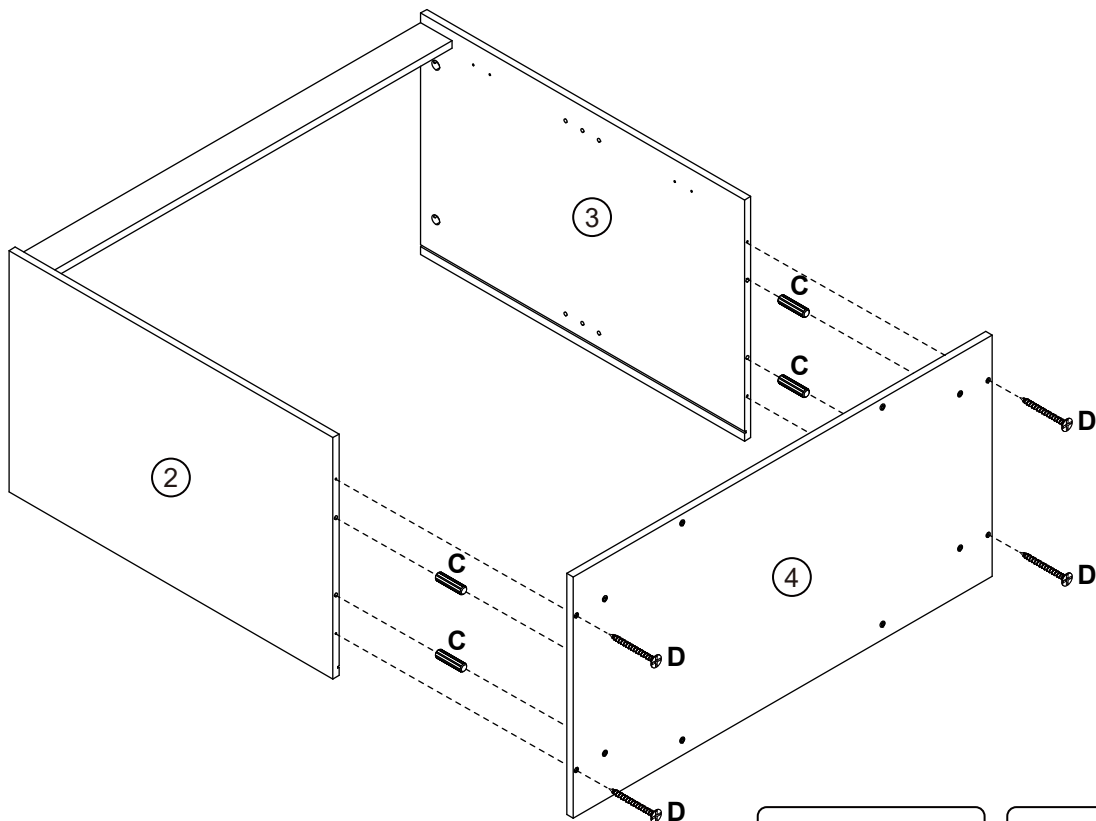
Step 2



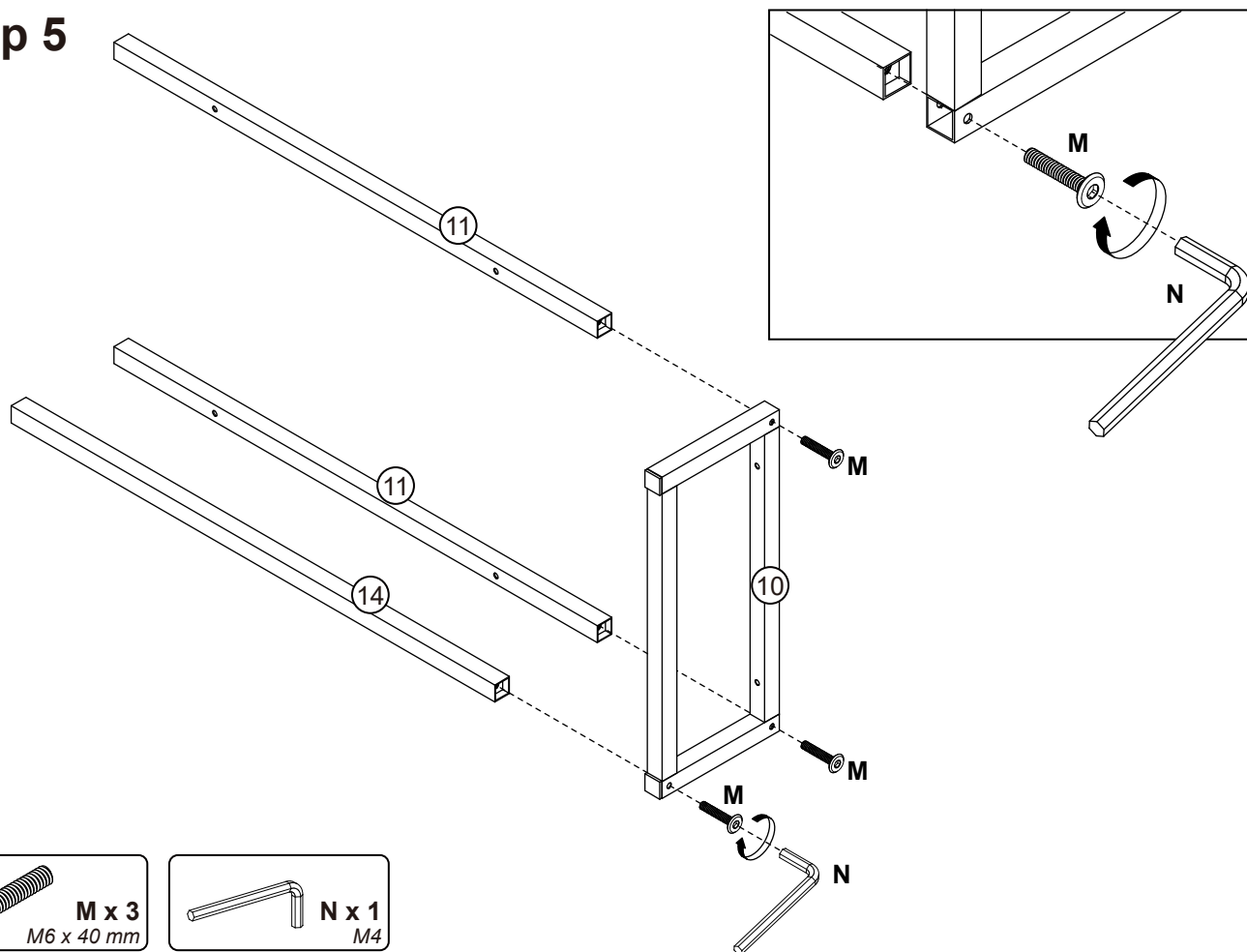
Step 3



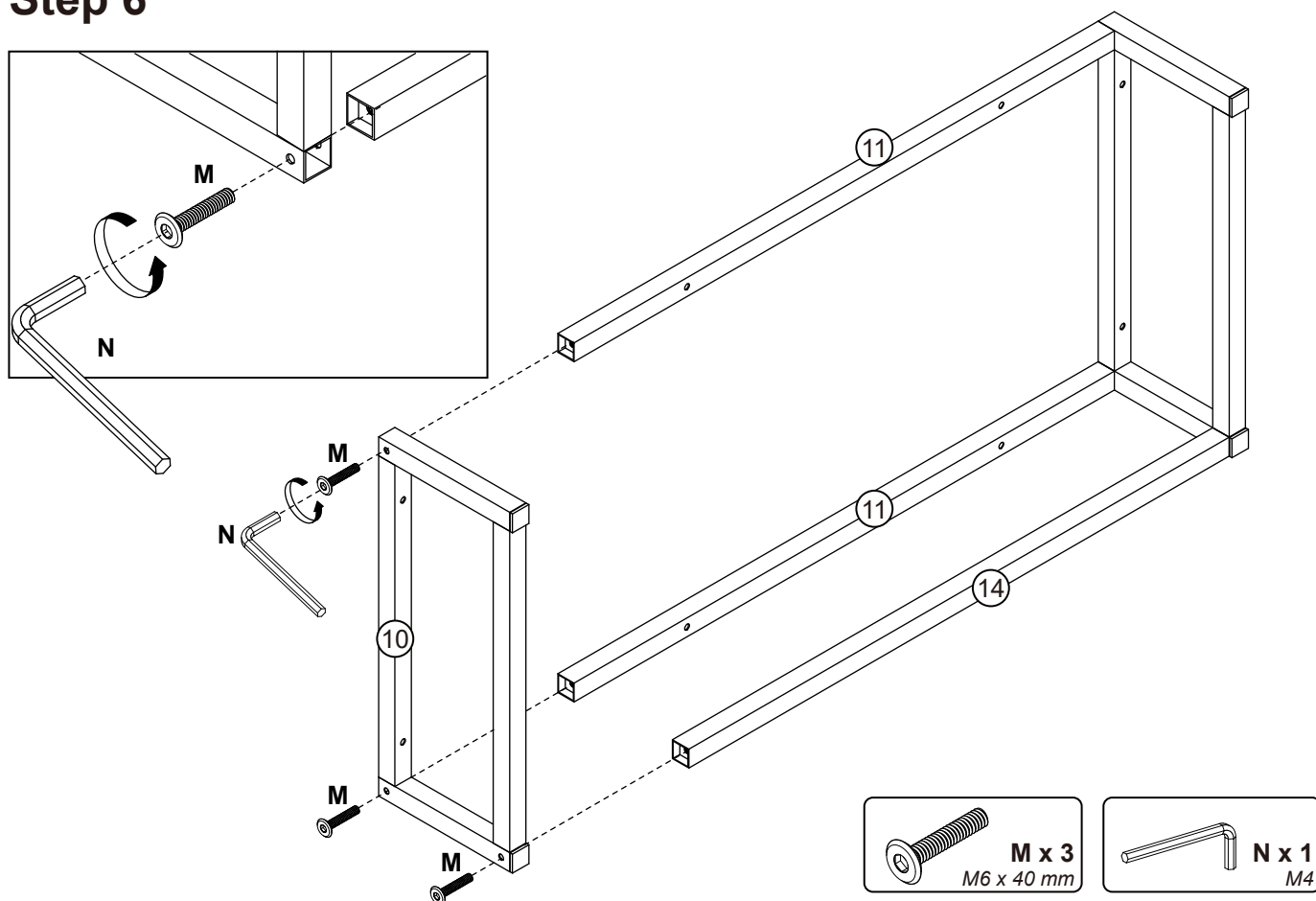
Step 4



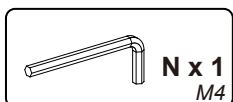
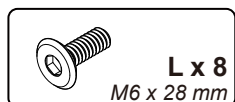
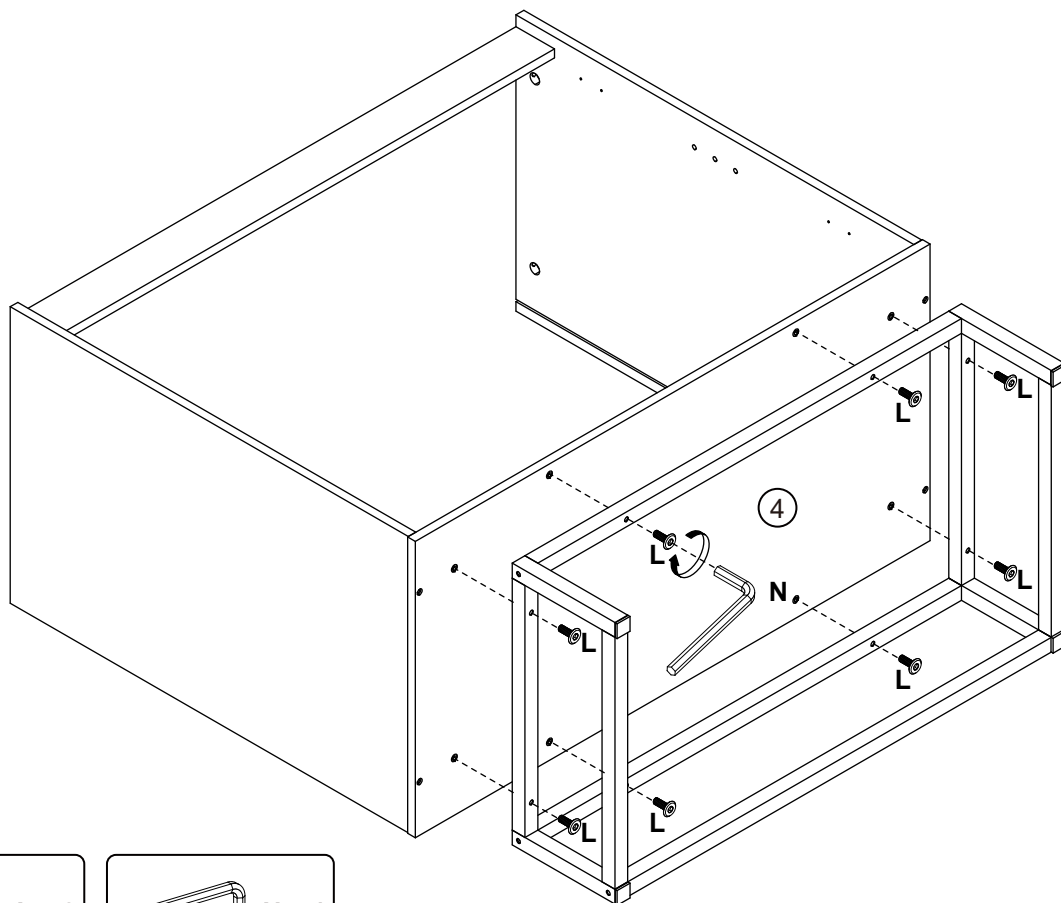
Step 5



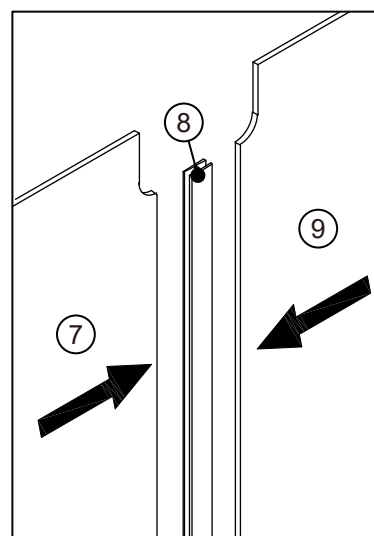
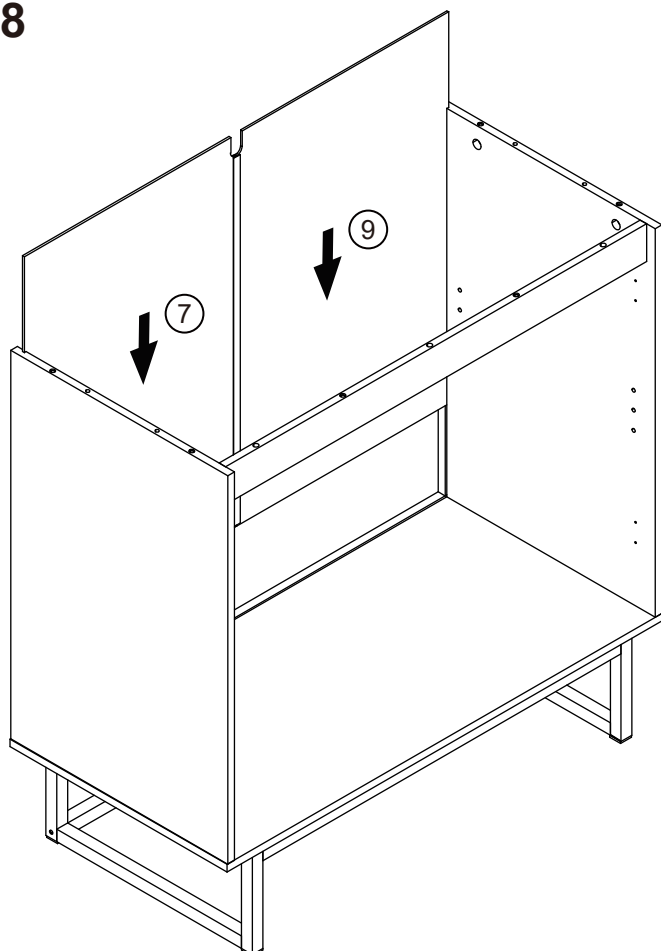
Step 6



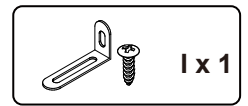
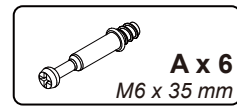
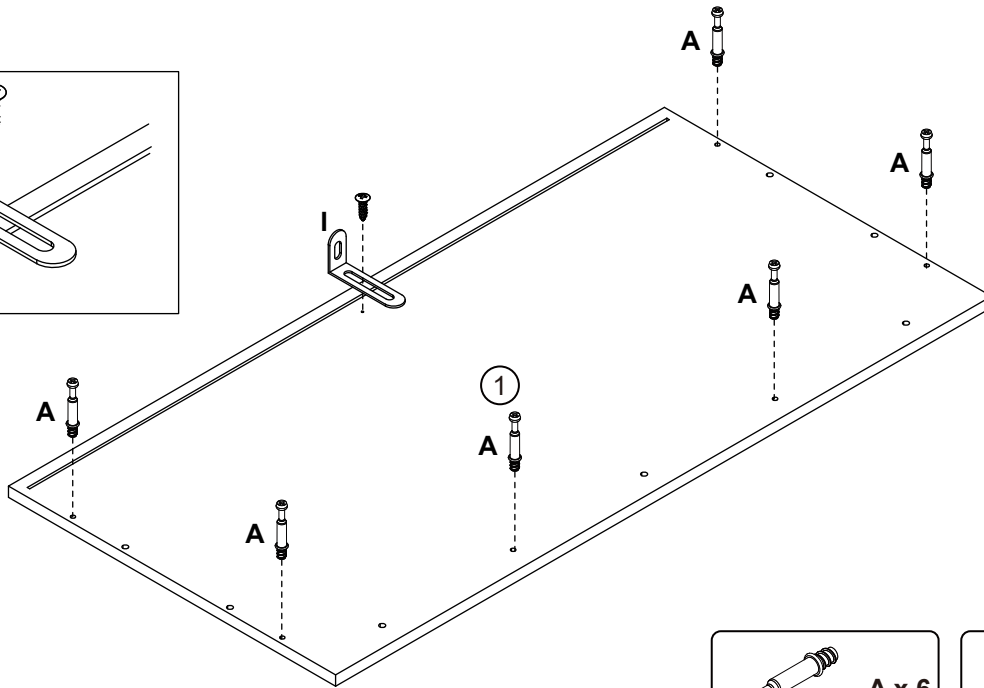
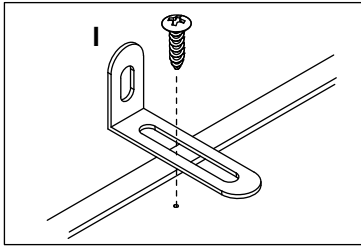
Step 7



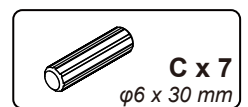
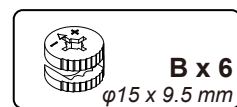
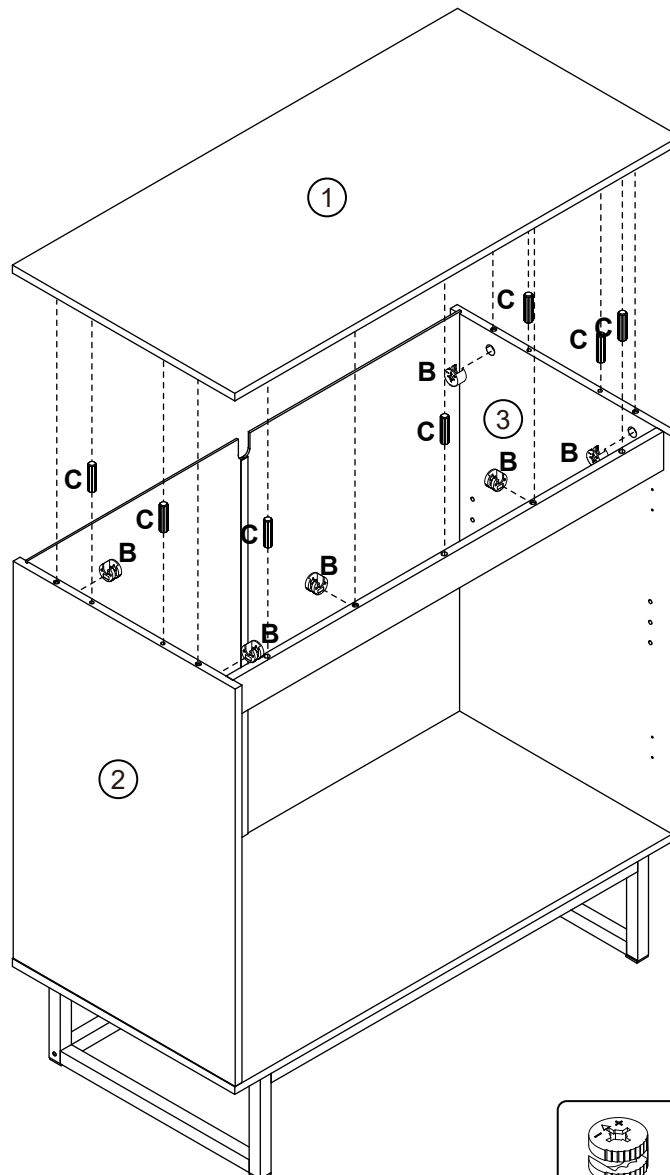
Step 8



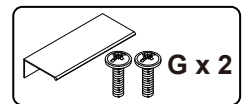
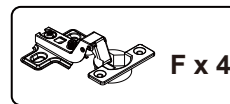
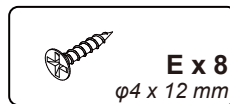
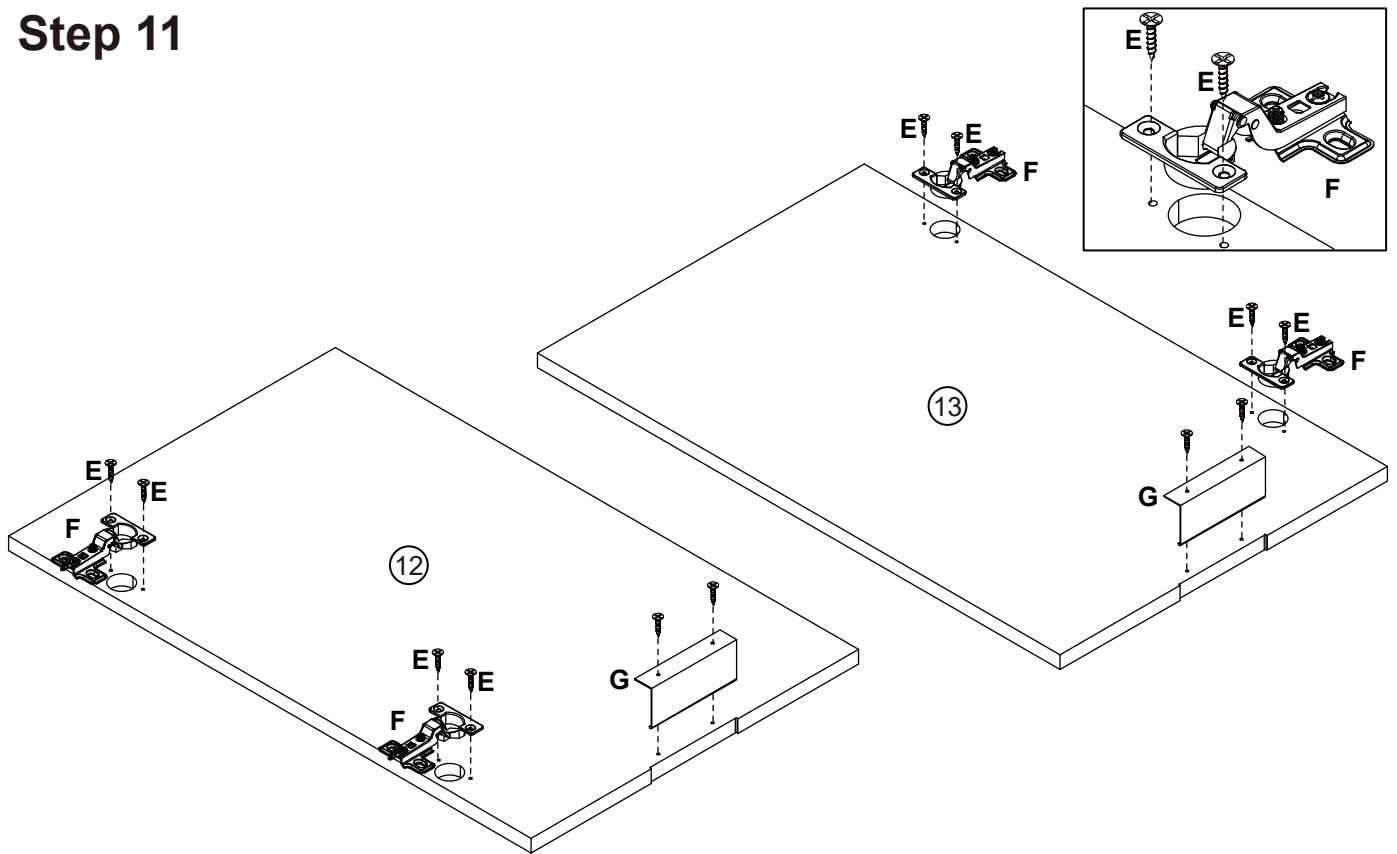
Step 9



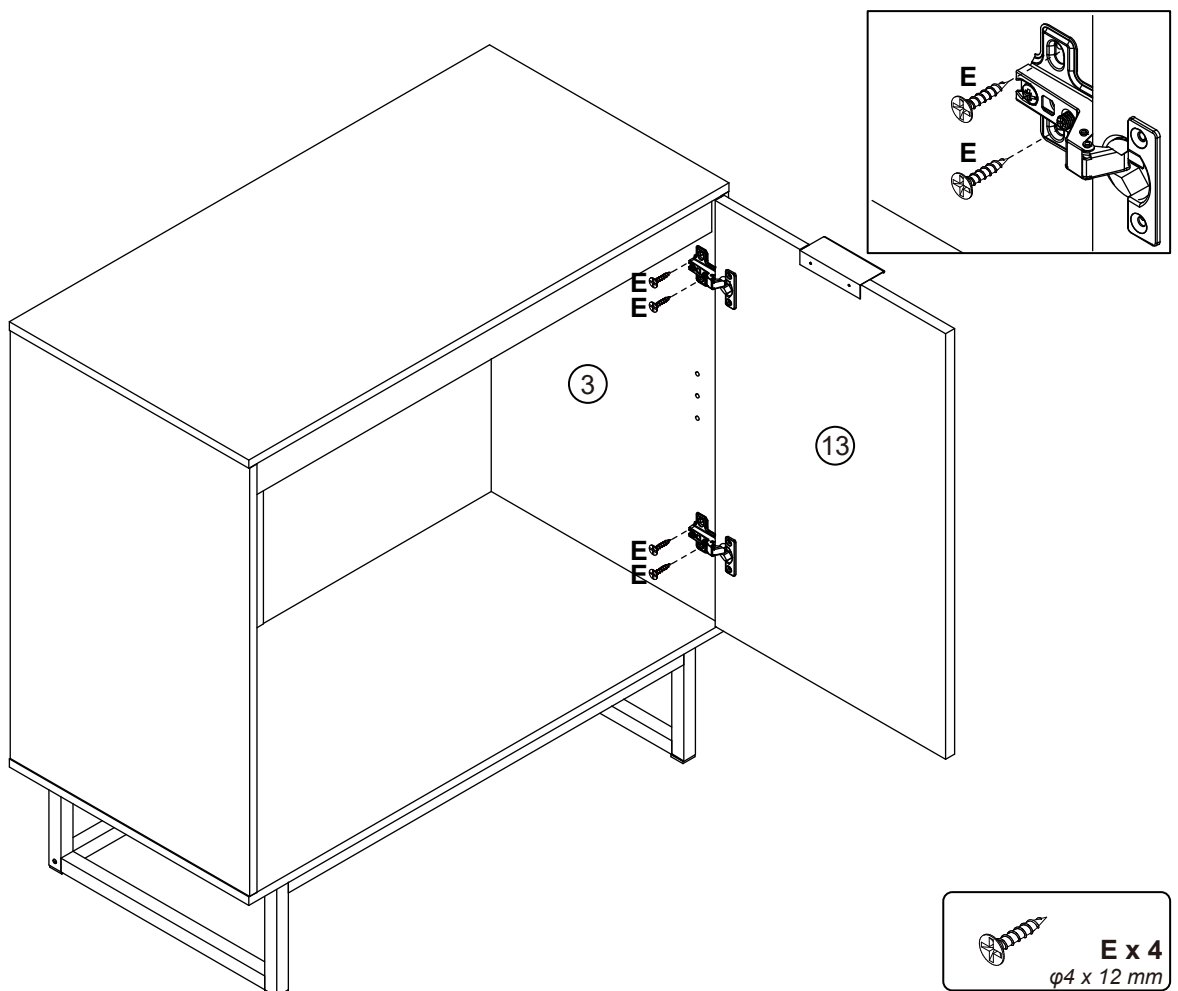
Step 10



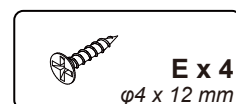
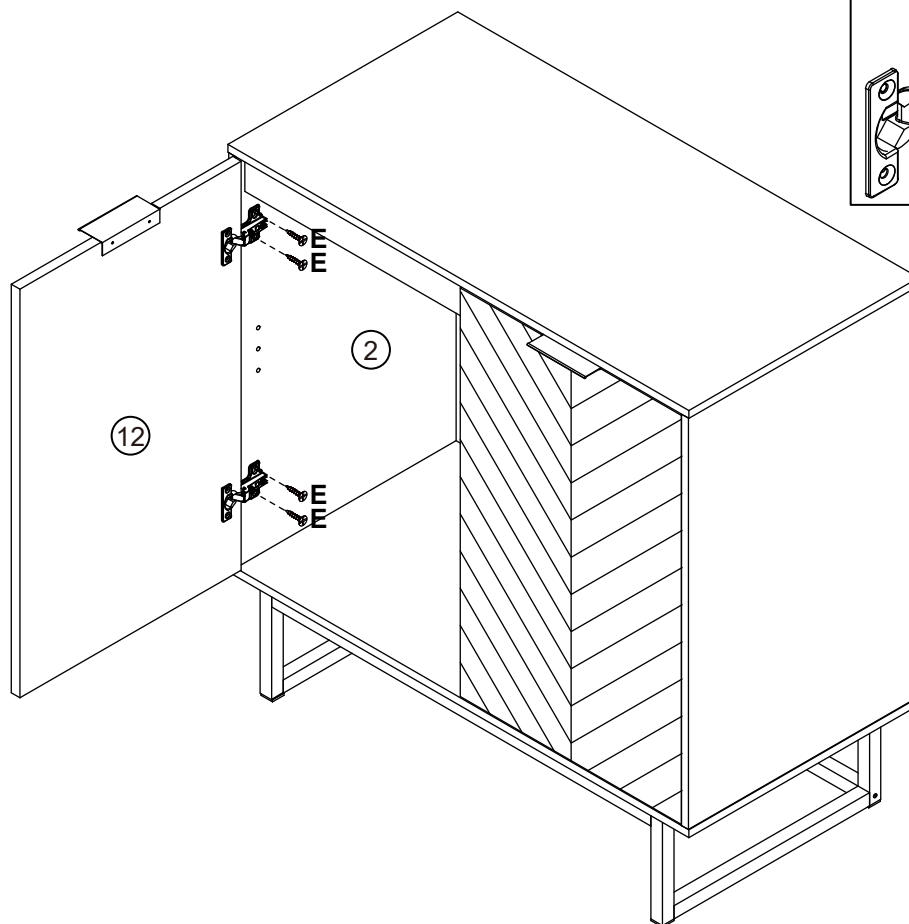
Step 11



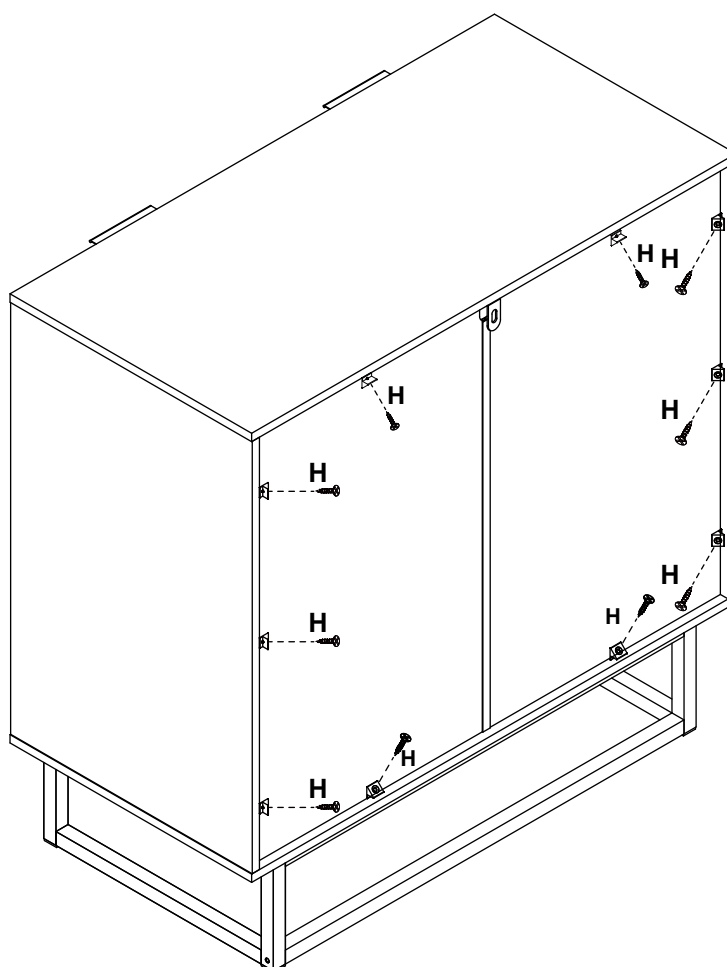
Step 12



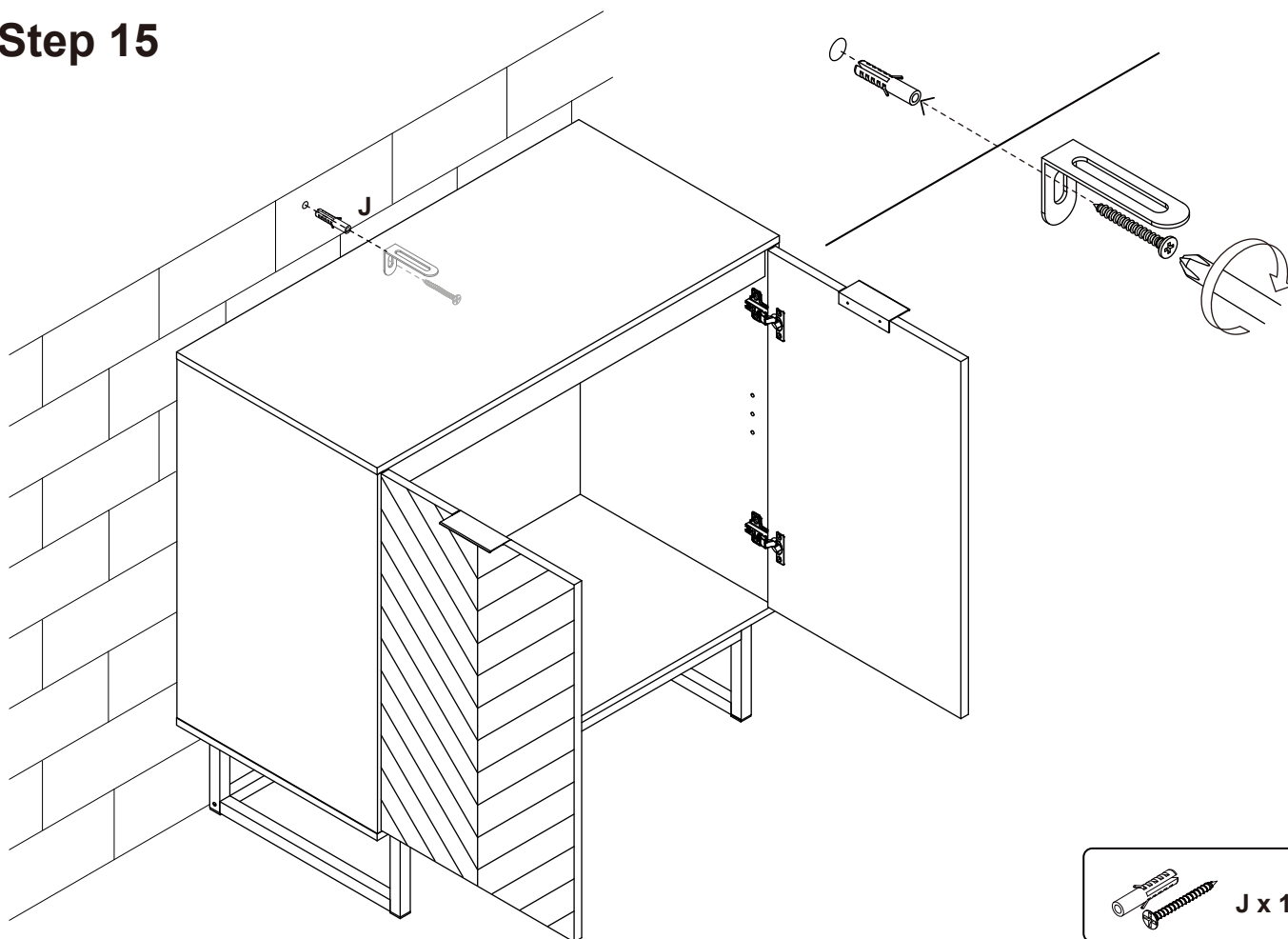
Step 13



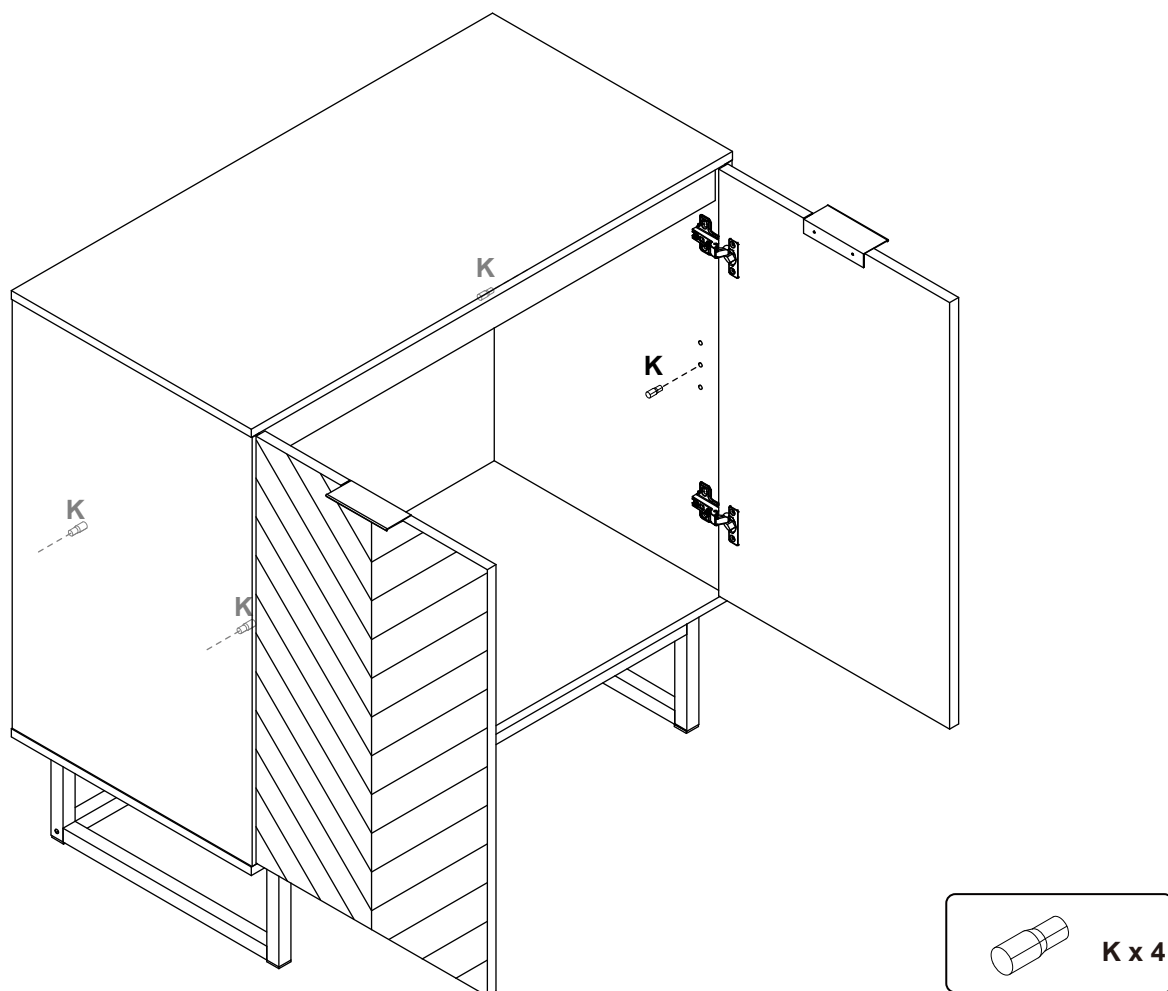
Step 14



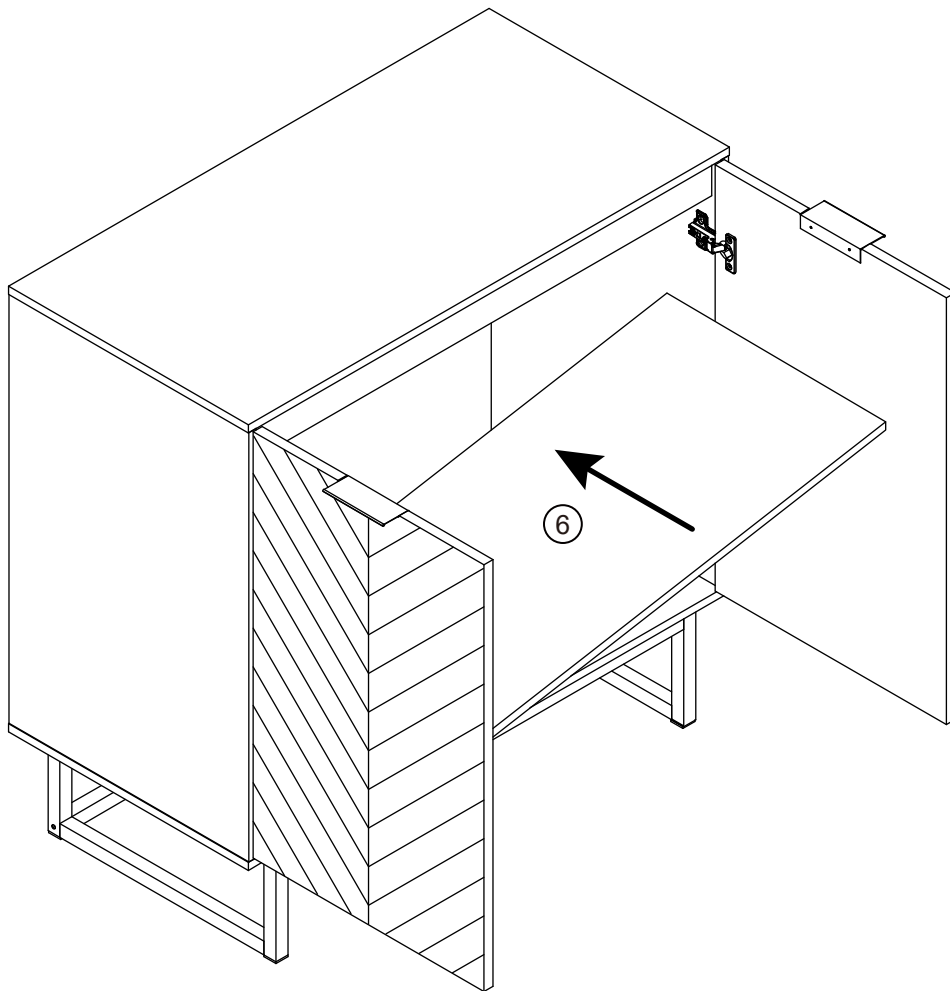
Step 15



Step 16



Step 17



Step 18

