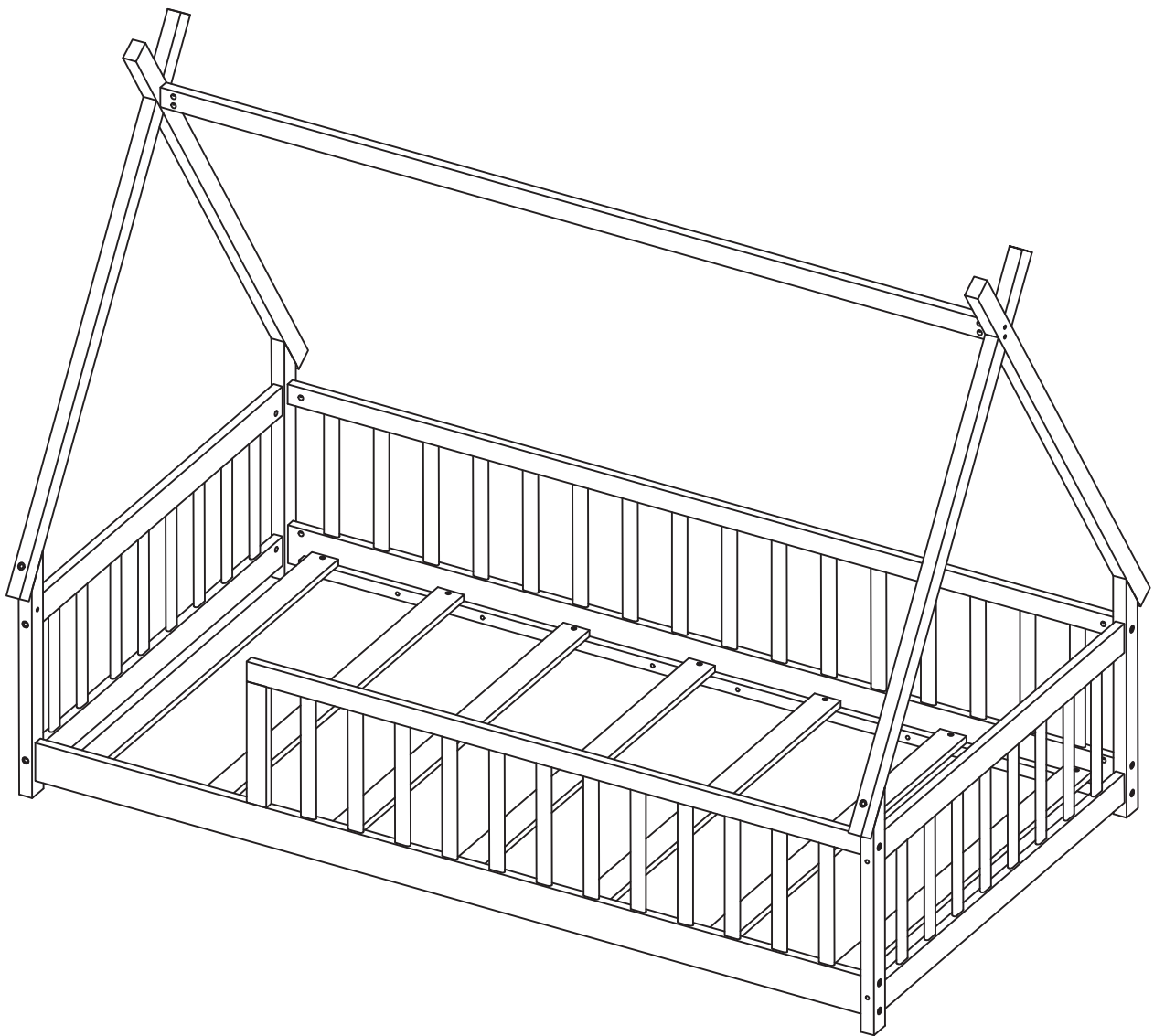
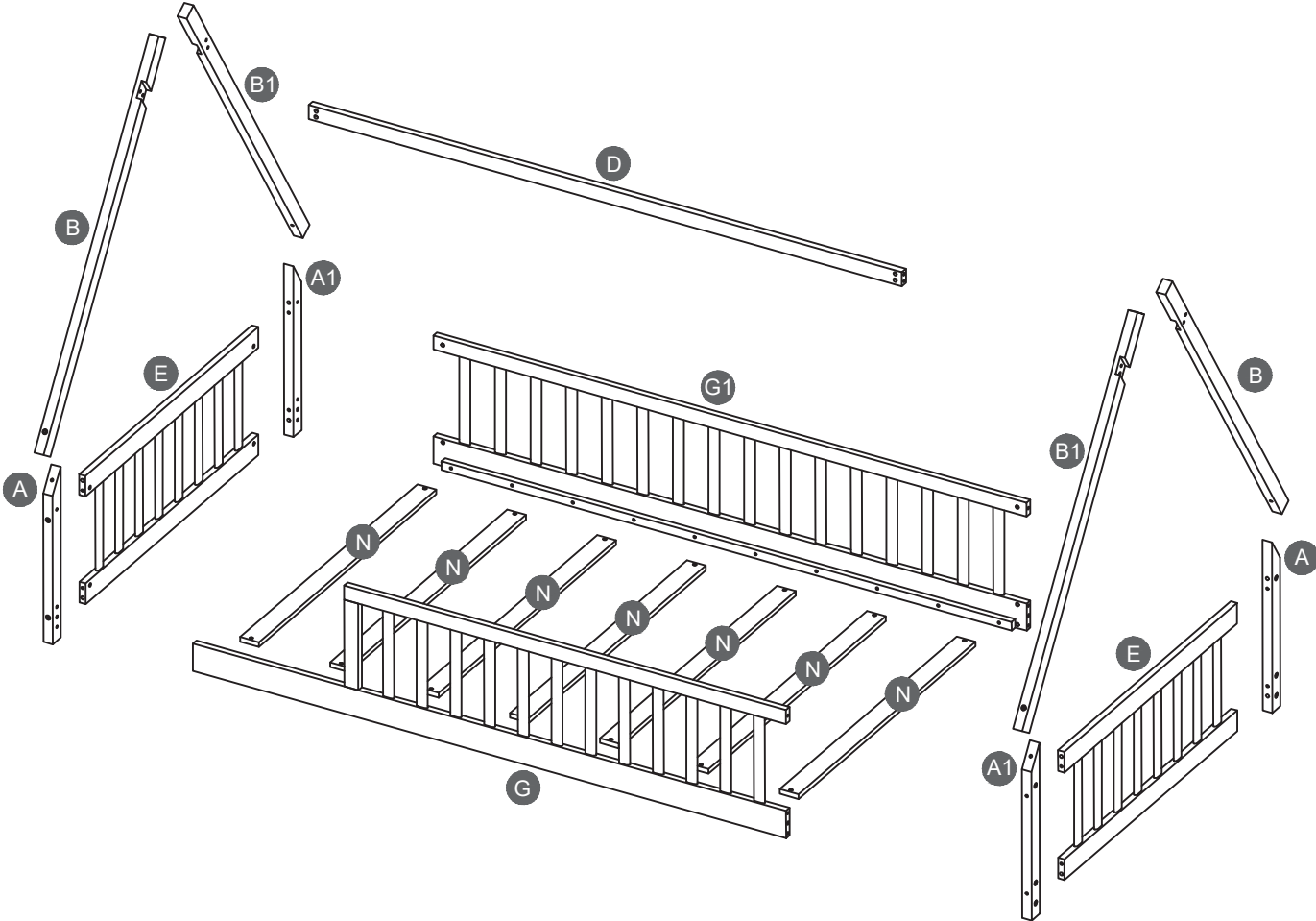


ASSEMBLY INSTRUCTIONS

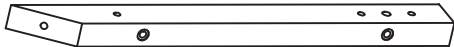
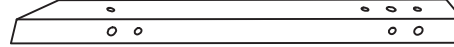
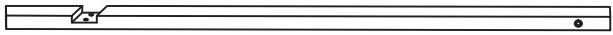
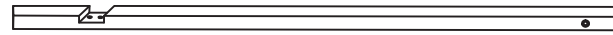
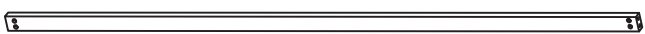
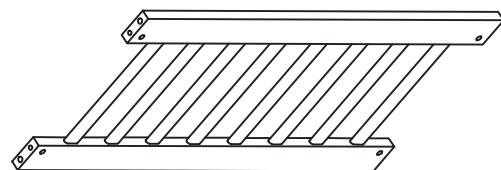
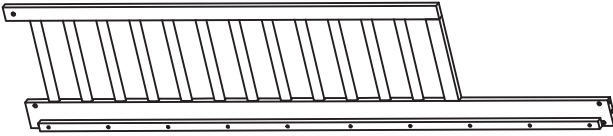
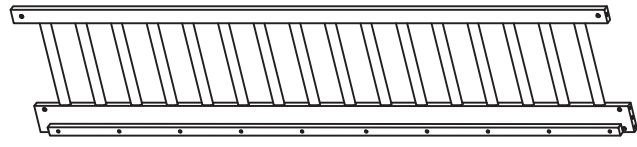
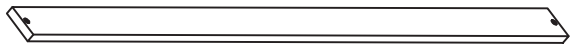
TWIN TENT FLOOR BED



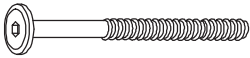

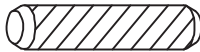

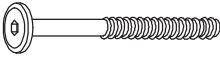


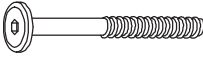

Detail View



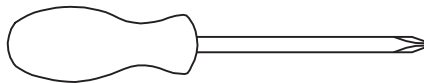
Part List

| | |
|--|---|
| A  Leg - 2pcs | A1  Leg - 2pcs |
| B  Top Support - 2pcs | B1  Top Support - 2pcs |
| D  Top Rail - 1pc | E  Hb. Fb. Panel - 2pcs |
| G  Side Rail Front - 1pc | G1  Side Rail Back - 1pc |
| N  Bed Slats - 7pcs | |

Hardware List

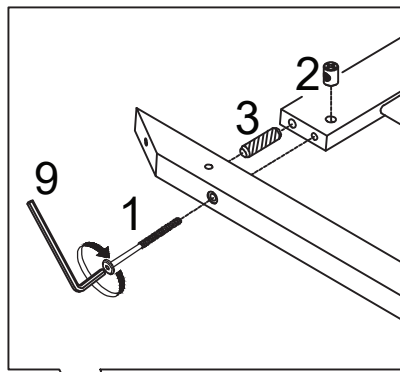
| | | |
|---|--|--|
| 1  M6 x 90mm JCBC (8pcs) | 2  M6 x 15mm Barrel Nut (23pcs) | 3  M10 x 40mm Wood Dowel (12pcs) |
| 4  Sticker Cap (2pcs) | 5  M6 x 70mm JCBC (15pcs) | 6  20 x 20 x 233mm Wood Block (1pc) |
| 7  M4 x 25mm CSK Screw (14pcs) | 8  M6 x 60mm JCBC (4pcs) | 9  M4 Allen Key (1pc) |

ASSEMBLY TOOLS REQUIRED (NOT INCLUDED)

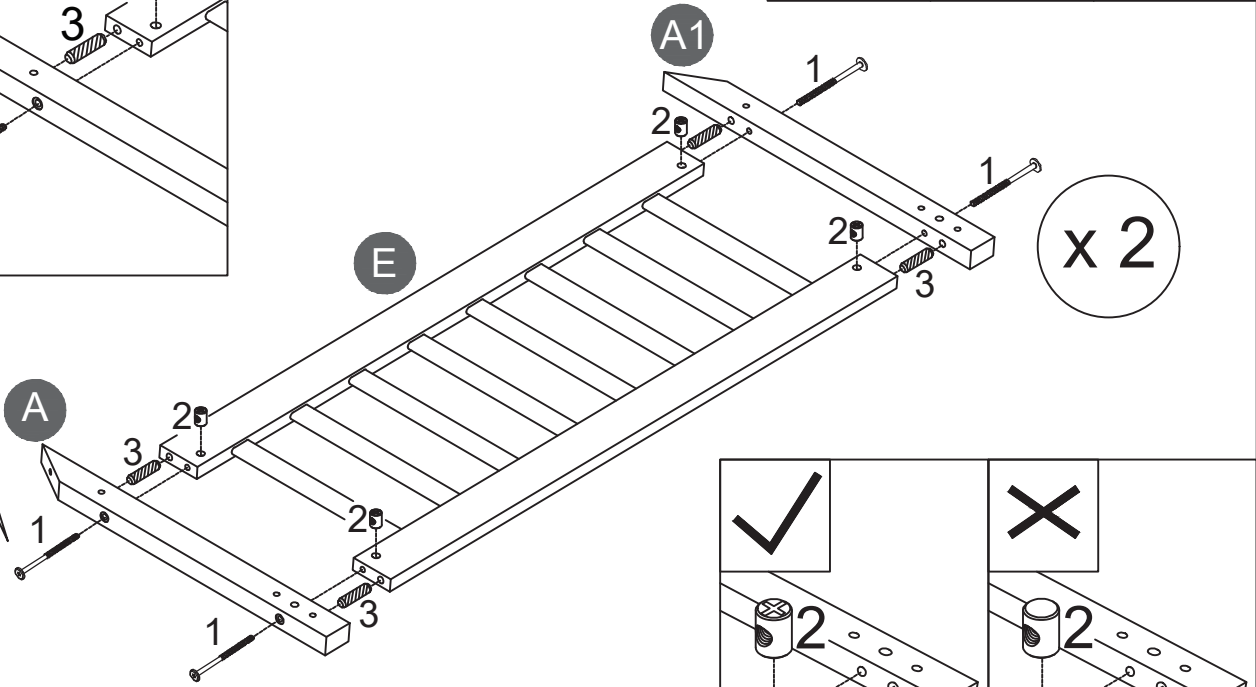


PLEASE BE CAREFUL DO NOT DAMAGE THE HOLE POSITION WHEN YOU USE POWER TOOLS !

STEP 1:



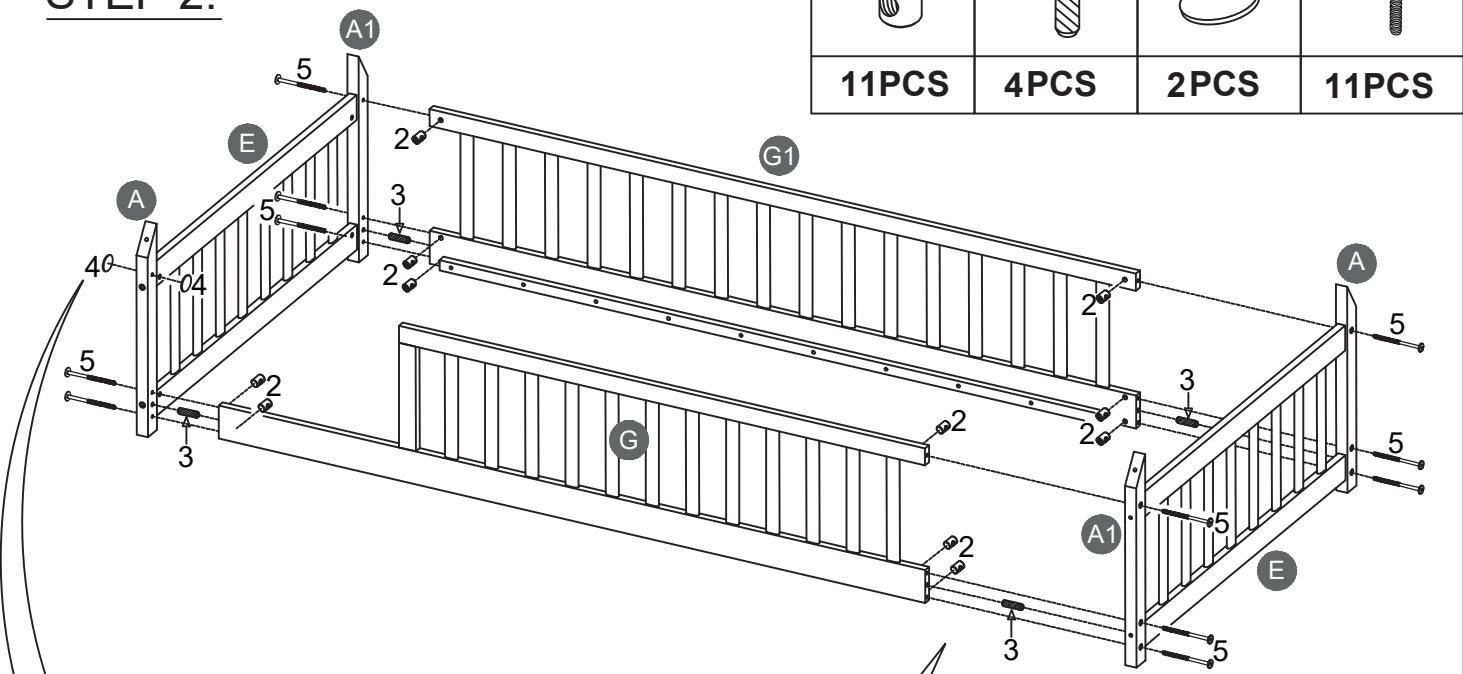
| | | | | | |
|-------------|--|-------------|--|-------------|--|
| 1 | | 2 | | 3 | |
| 8PCS | | 8PCS | | 8PCS | |



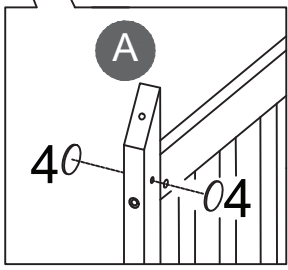
Note: Part 2 will face up with the "+" mark on it, otherwise it cannot be tightened

STEP 2:



| | | | | | | | |
|--------------|--|-------------|--|-------------|--|--------------|--|
| 2 | | 3 | | 4 | | 5 | |
| 11PCS | | 4PCS | | 2PCS | | 11PCS | |

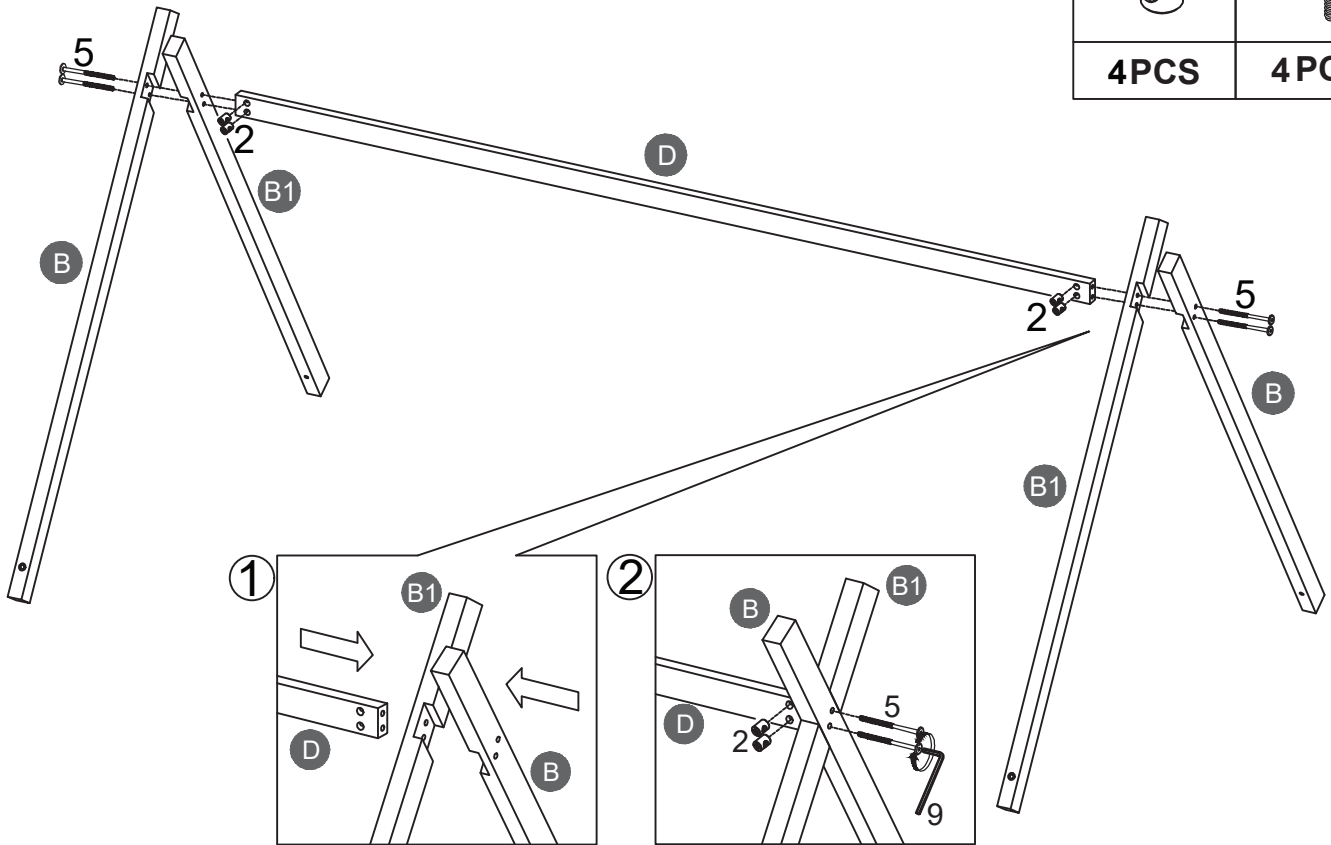


Note: Part 2 will face up with the "+" mark on it, otherwise it cannot be tightened




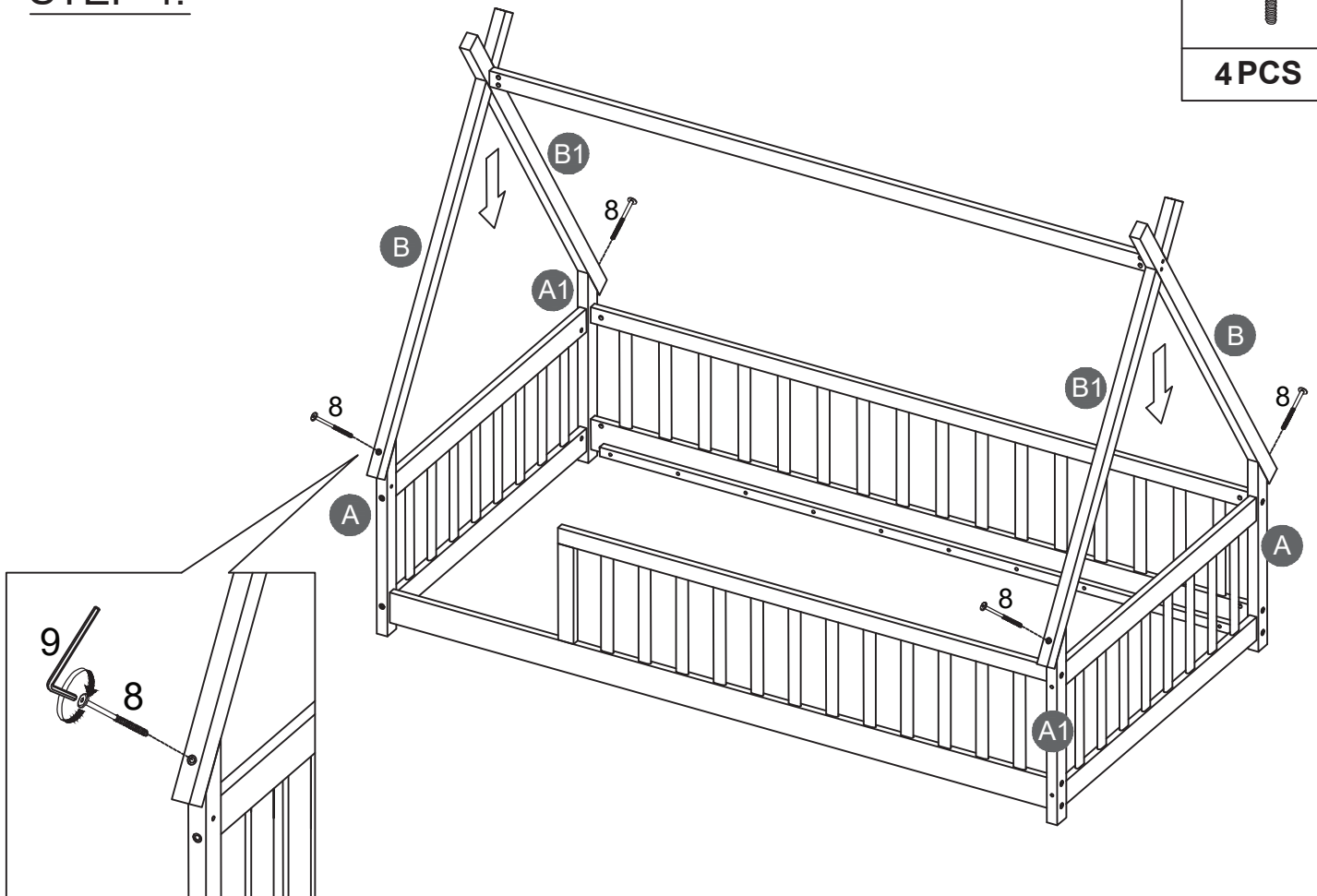
STEP 3:

| | | | |
|-------------|---|-------------|--|
| 2 |  | 5 |  |
| 4PCS | | 4PCS | |





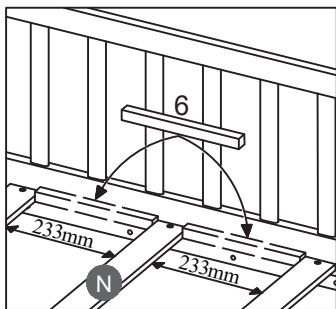
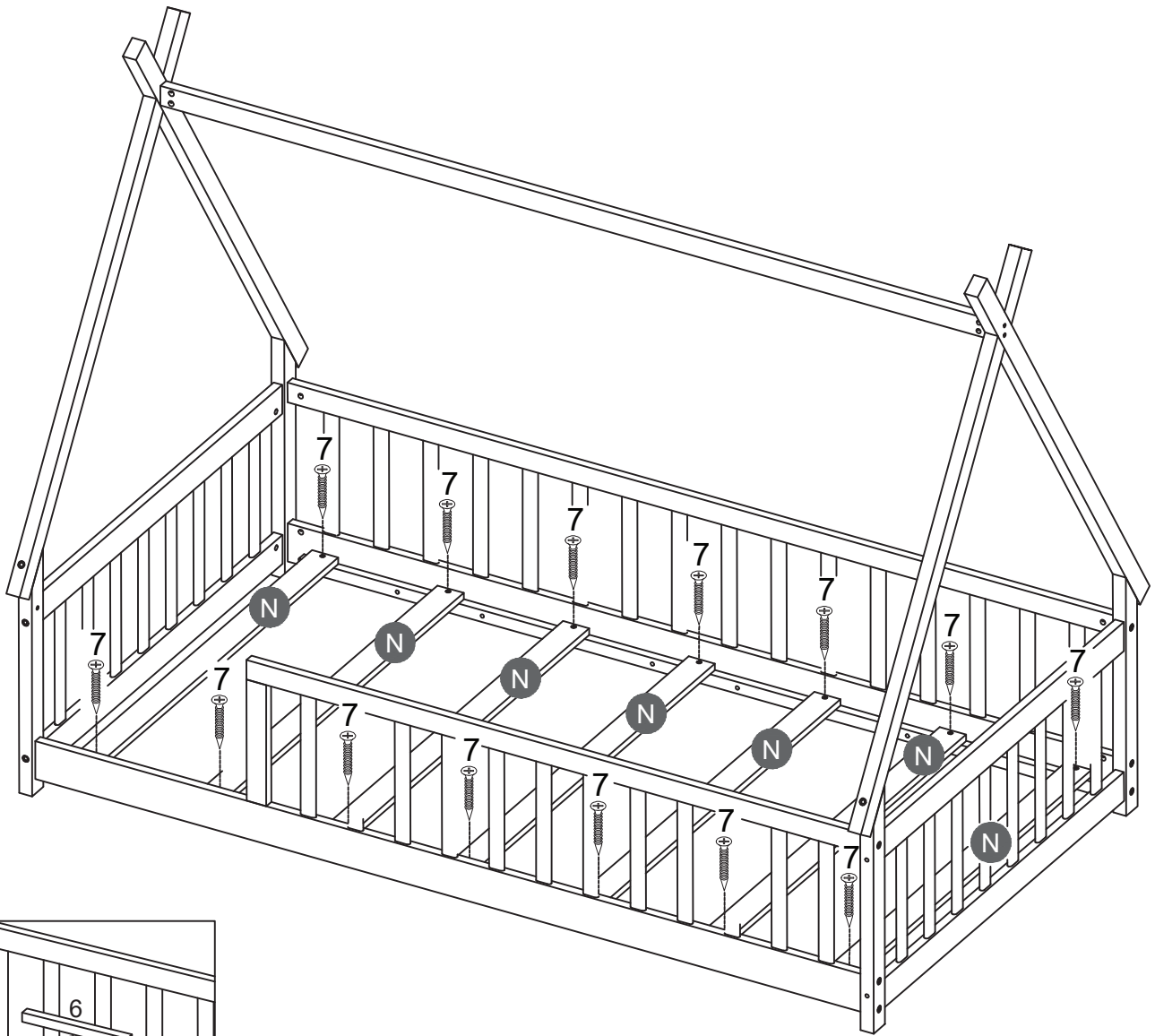
STEP 4:

| | |
|-------------|---|
| 8 |  |
| 4PCS | |



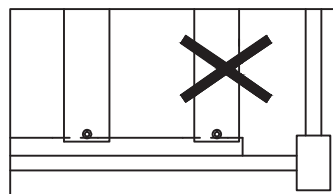
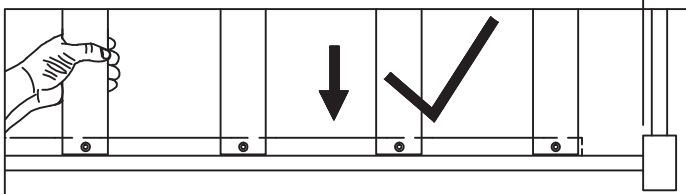
STEP 5:

| | |
|---|---|
| 6  | 7  |
| 1 PC | 14 PCS |



Note: Use Wood Block as a guidance distance between Bed Slats.

233mm 233mm 233mm 64mm



Note: Do not lock the screws of the bed slats to the outermost edge of the bed slats, you need to leave a certain space at the edges, otherwise it will cause the board to break. Do not lock the bed slats on the edge of the wood, please hold firmly before screwing, hold it in place with one hand, then lock the screw.