

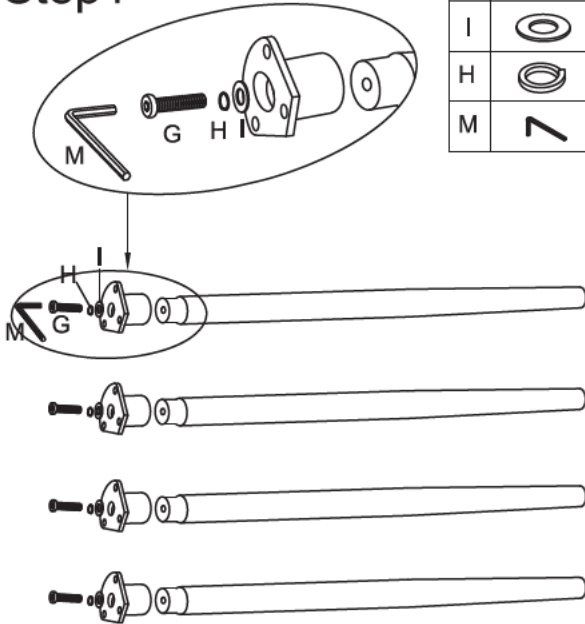


Attention: Please Tear The Table Top Cover Off Until Finish The Full Assemble Step To Avoid Scratching.

Maintenance: Use the Wet Cloth To Make It Clear IF Dirty.

Ax2 	Bx4 	Cx4 	Dx2 	Mx1 	Nx1 		
Ex1 	Fx4 	Gx4 	Hx4 	SPARE(Ersatzteile)			
				Fx1 	Gx1 	Hx1 	Ix1
Ix4 	Jx12 	Kx12 	Lx24 	Jx1 	Kx1 	Lx1 	

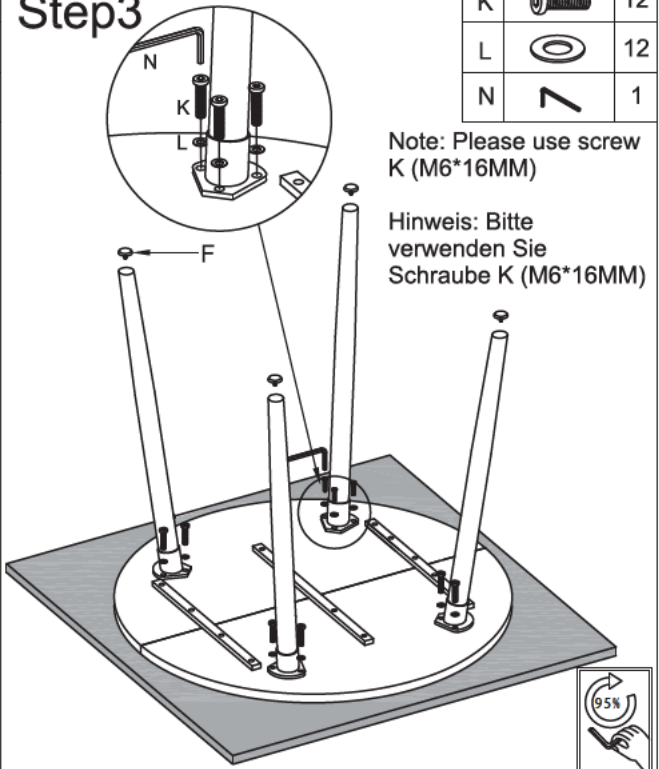
Step1



G		4
I		4
H		4
M		1



Step3



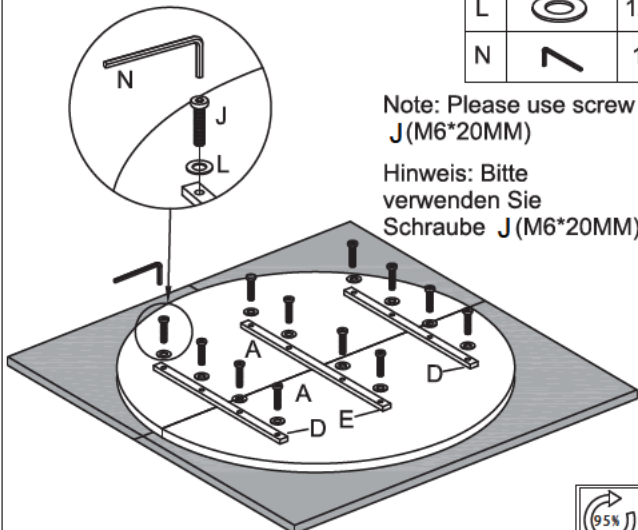
Note: Please use screw K (M6*16MM)

Hinweis: Bitte verwenden Sie Schraube K (M6*16MM)

K		12
L		12
N		1



Step2



Note: Please use screw J (M6*20MM)

Hinweis: Bitte verwenden Sie Schraube J (M6*20MM)

J		12
L		12
N		1



Step4

