

SPK-600 / SCK-1017

SPK-600 - Ashland Mailbox Post

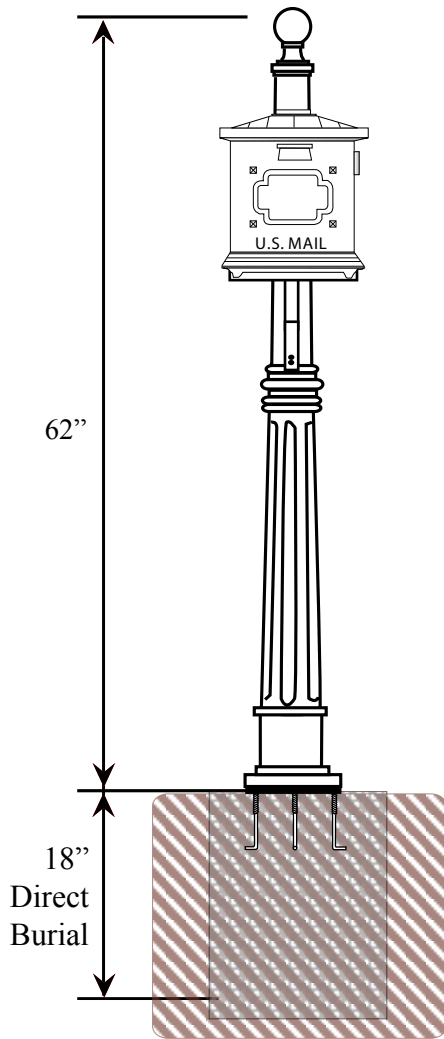
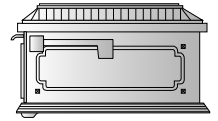
- 62" Height
- 7 1/2" Dia. Base
- Made of Extruded Aluminum

Materials:

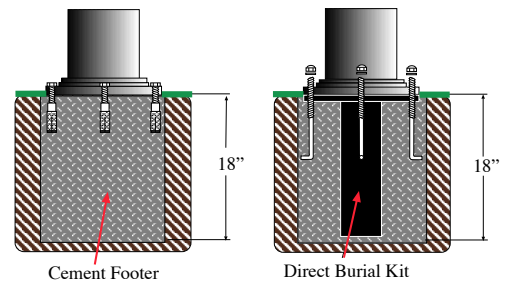
- Posts made of extruded aluminum
- Finished with a premium quality thermoset polyester powdercoat.

SCK-1017 - Kingston Curbside Mailbox

- Height 11 1/2"
- Width 9 1/4"
- Depth 20 1/4"
- Rust Free Cast Aluminum Construction



Installation Options



1634 Latrobe-Derry Road • Loyahanna, PA 15661
 Phone: (724) 537-4711 • Fax: (724) 537-9313
www.specialliteproducts.com
customer_service@specialliteproducts.com

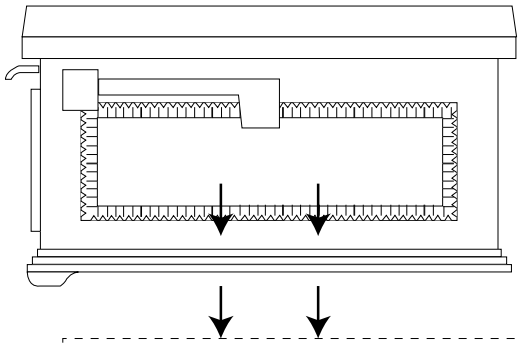
****NOTE** FABRICATION TO BEGIN AFTER DRAWING HAS BEEN APPROVED, SIGNED AND FAXED OR EMAILED BACK TO SPECIAL LITE PRODUCTS LLC.**

Signature: _____ Date: _____

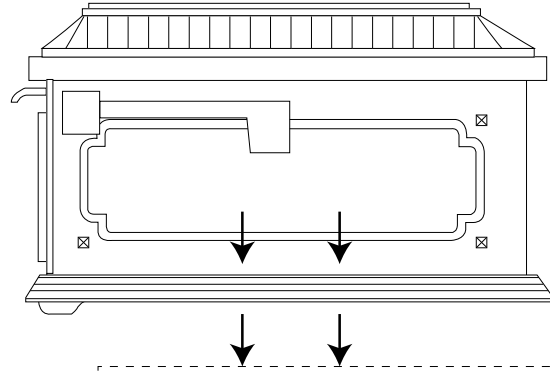
Mounting Diagram for SCT-1010 and SCK-1017 Curbside Mailboxes

Drawing Number: 11168

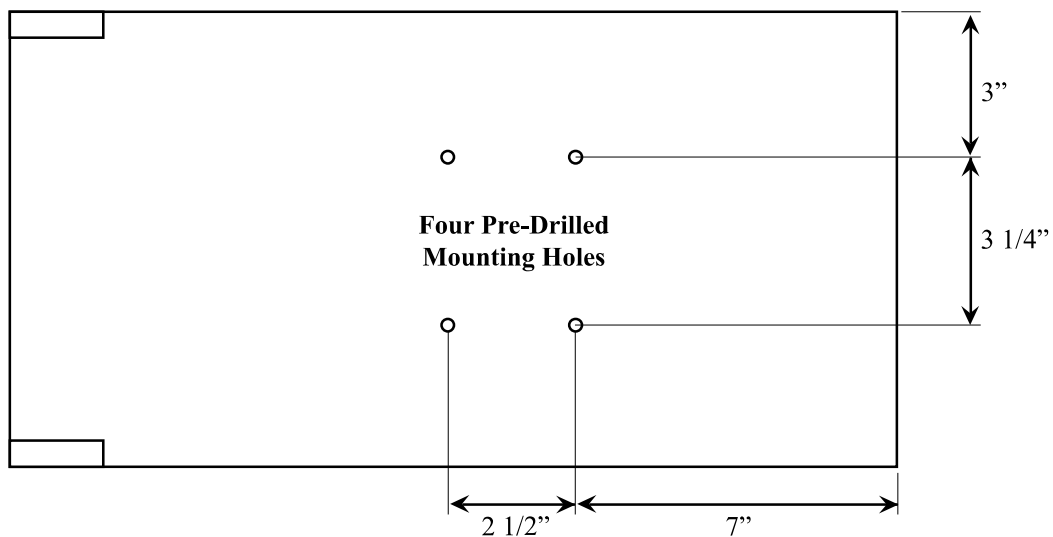
SCT-1010 MAILBOX



SCK-1017 MAILBOX



BOTTOM VIEW OF MAILBOX

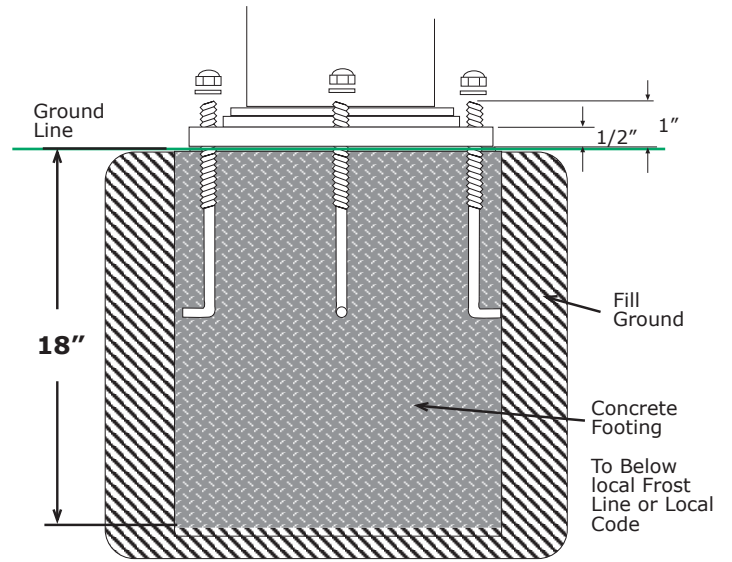
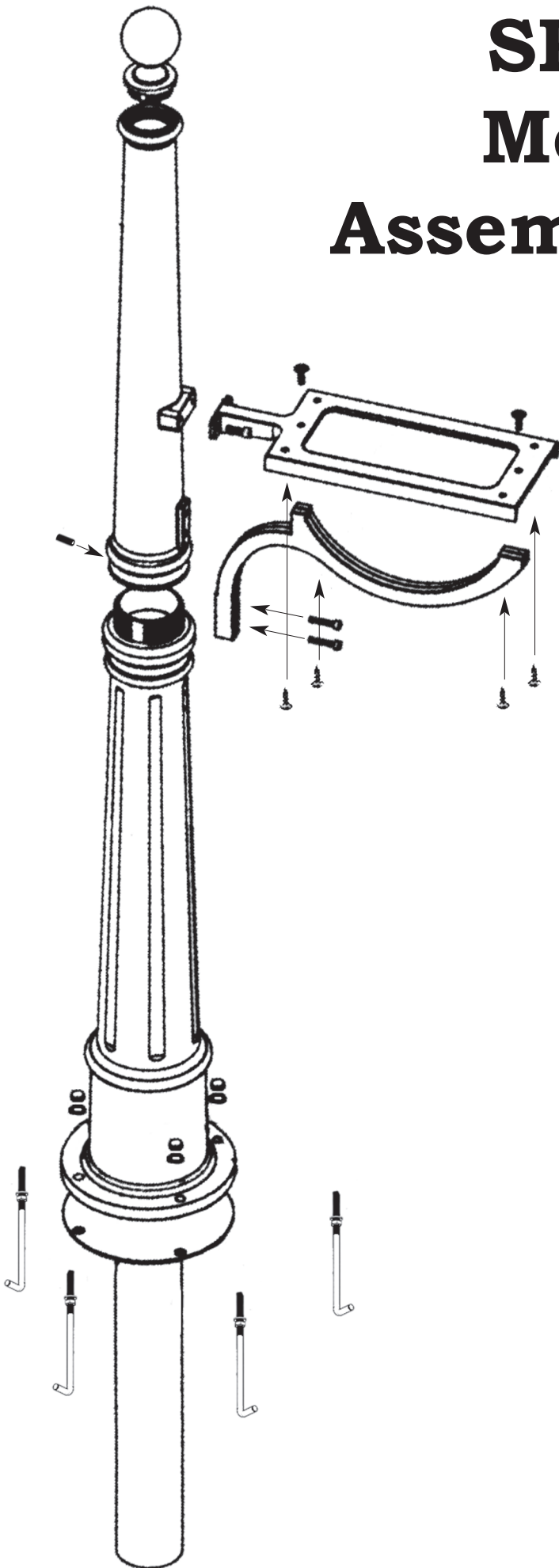


Screws and Hardware are provided by other

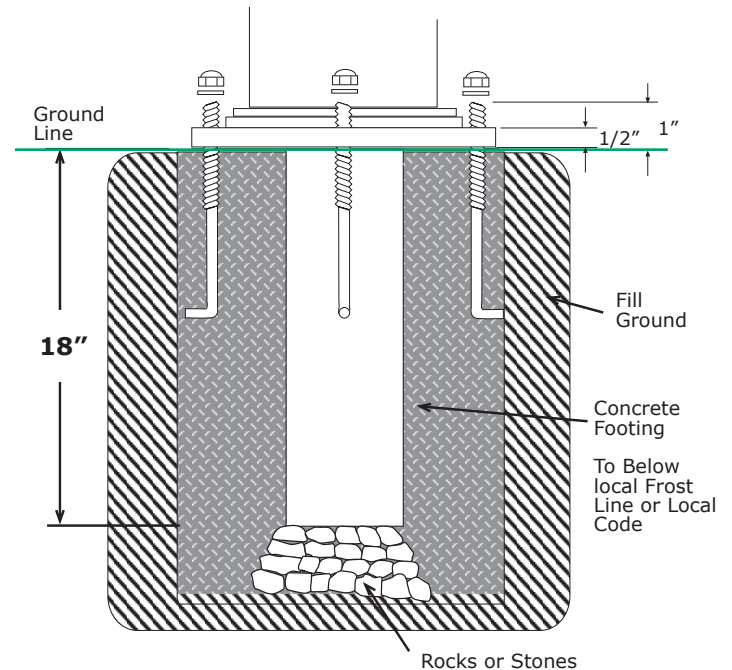


1634 Latrobe-Derry Road • Loyahanna, PA 15661
Phone: (724) 537-4711 • Fax: (724) 537-9313
www.specialliteproducts.com
customer_service@specialliteproducts.com

SPK-600 Post Mounting and Assembly Instructions

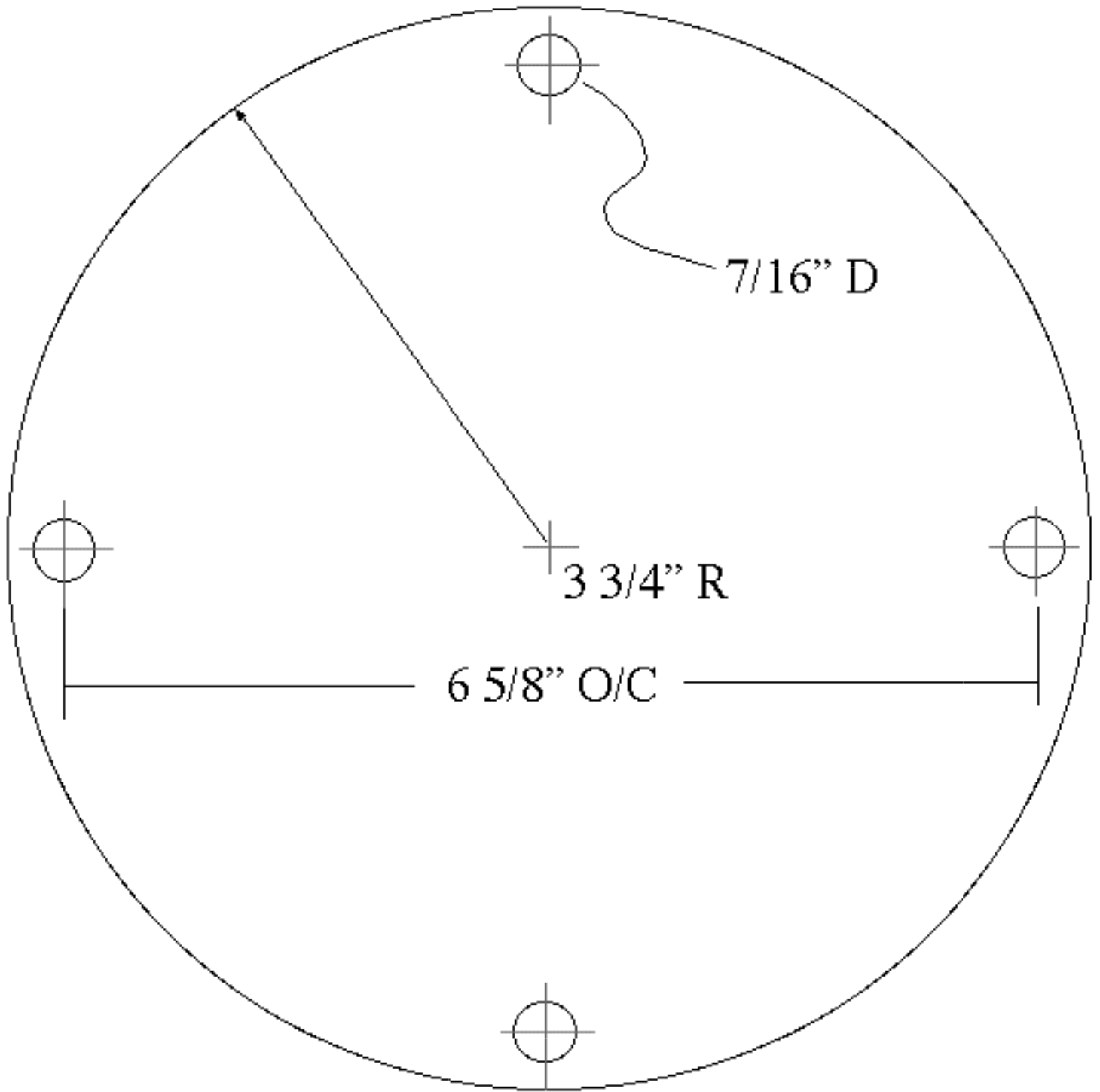


SURFACE MOUNT INSTALLATION



DIRECT BURIAL KIT INSTALLATION

SPK 600 Template



Drawing Not To Scale