

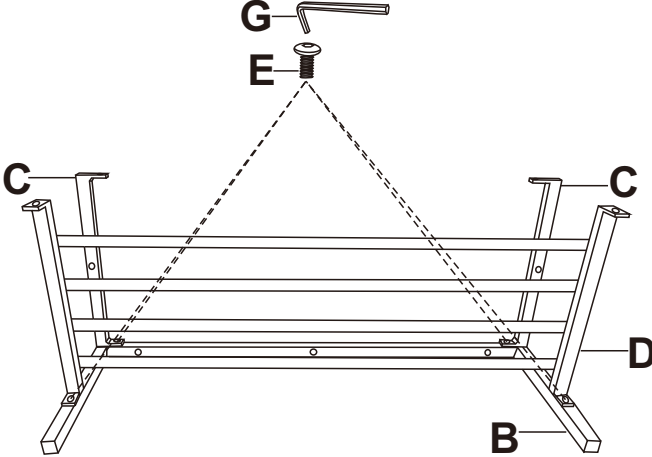
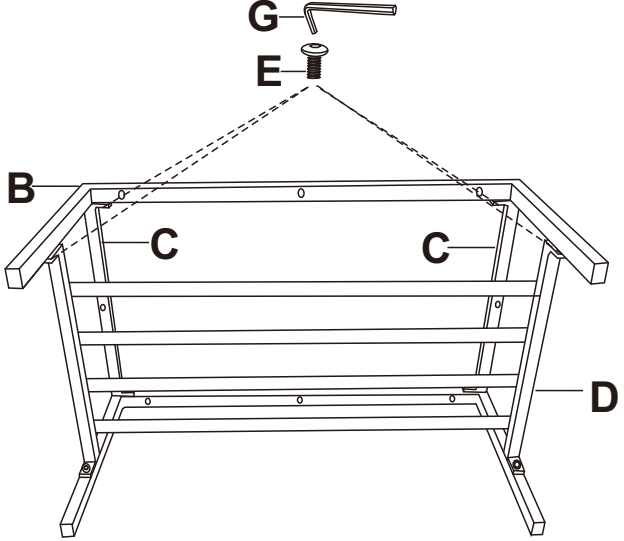
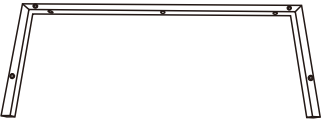

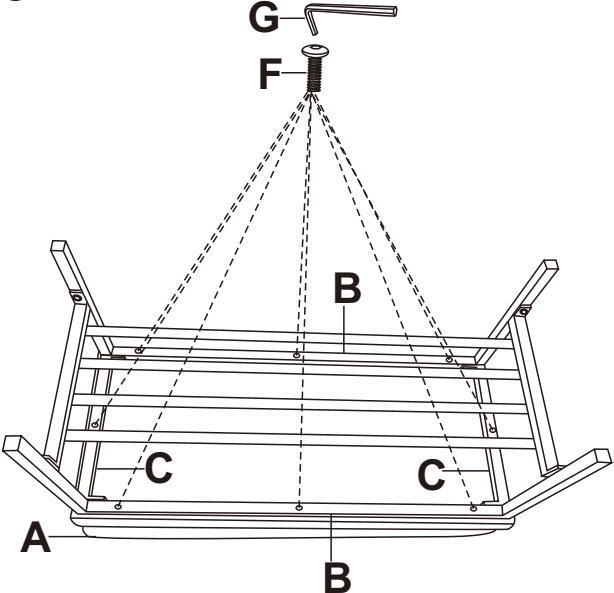
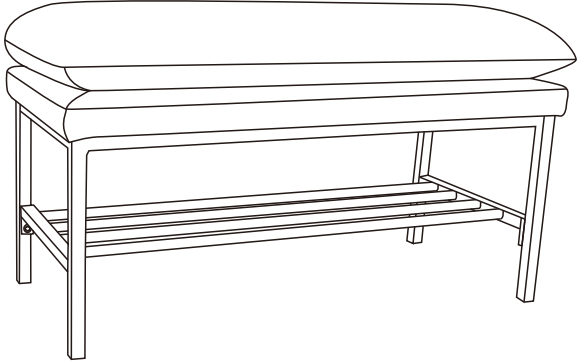
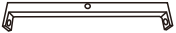



# ASSEMBLY INSTRUCTION

<p>Ax1</p> 	<p>Ex8</p>  <p>M6x20</p>	<p>①</p>  <p>Diagram 1 shows the assembly of the frame. A screw labeled 'E' is being inserted into a hole in the top rail, which is labeled 'G'. The frame consists of two side rails labeled 'C' and two front legs labeled 'B' and 'D'. Dashed lines indicate the alignment of the screw.</p>	<p>②</p>  <p>Diagram 2 shows the assembly of the frame. A screw labeled 'E' is being inserted into a hole in the top rail, which is labeled 'G'. The frame consists of two side rails labeled 'C' and two front legs labeled 'B' and 'D'. Dashed lines indicate the alignment of the screw.</p>
<p>Bx2</p> 	<p>Fx8</p>  <p>M6x40</p>	<p>③</p>  <p>Diagram 3 shows the assembly of the frame. A screw labeled 'F' is being inserted into a hole in the top rail, which is labeled 'G'. The frame consists of two side rails labeled 'C' and two front legs labeled 'B' and 'D'. Dashed lines indicate the alignment of the screw.</p>	 <p>Diagram 4 shows the final assembled product, a wooden table with a cushioned top. The table has a rectangular top with rounded corners, supported by four legs. The cushion is placed on top of the table.</p>
<p>Cx2</p> 	<p>Gx1</p> 		
<p>Dx1</p> 