

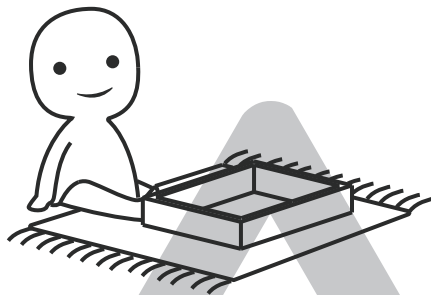
# **INSTALLATION**

*Product Manual*



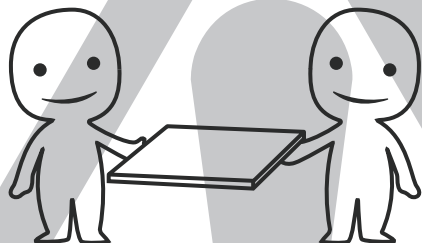
### IMPORTANT INFORMATION!

please read the entire manual before starting to assemble and/or using this product. follow the manual thoroughly and keep it for further reference.



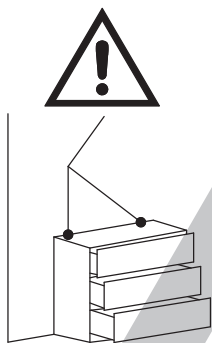
### AVOID SCRATCHES!

In order to avoid scratching this furniture should be assembled on a soft layer- could be a rug.



### IMPROVE EFFICIENCY !

Try to find a partner to install with you, which can speed up the installation efficiency and shorten the time.



### ANTI-TOPPLE WARNING !

Overturned furniture can cause serious or fatal crush injuries. To prevent tipping over, be sure to use the wall attachment, if not included with this product. Please purchase the wall attachment that fit your wall. If unsure, seek professional advice. Please read and follow each step of the instructions carefully.

### IMPORTANT !

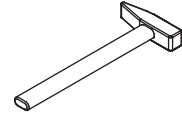
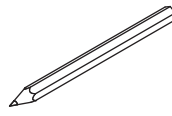
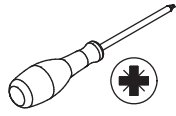
It is important that any product which is assembled using any kind of screw is re-tightened 2 weeks after assembly, and once every 3 months - in order to assure stability through-out the lifespan of the product.

For regular maintenance and cleaning of the product, for the frame, please use a rag dipped in neutral detergent to fully wipe it, and then dry it with a clean rag. For glass materials, wipe with a rag dampened with water glass cleaner, and then dry with a dry rag.

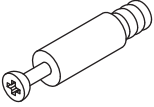
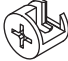
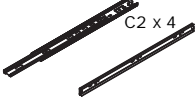

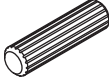
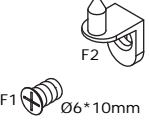



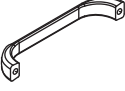
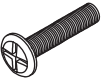

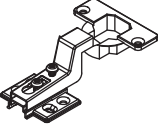



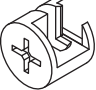





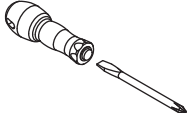
Do not use an electric screwdriver, and do not use too much force when installing, because the board is easy to break.

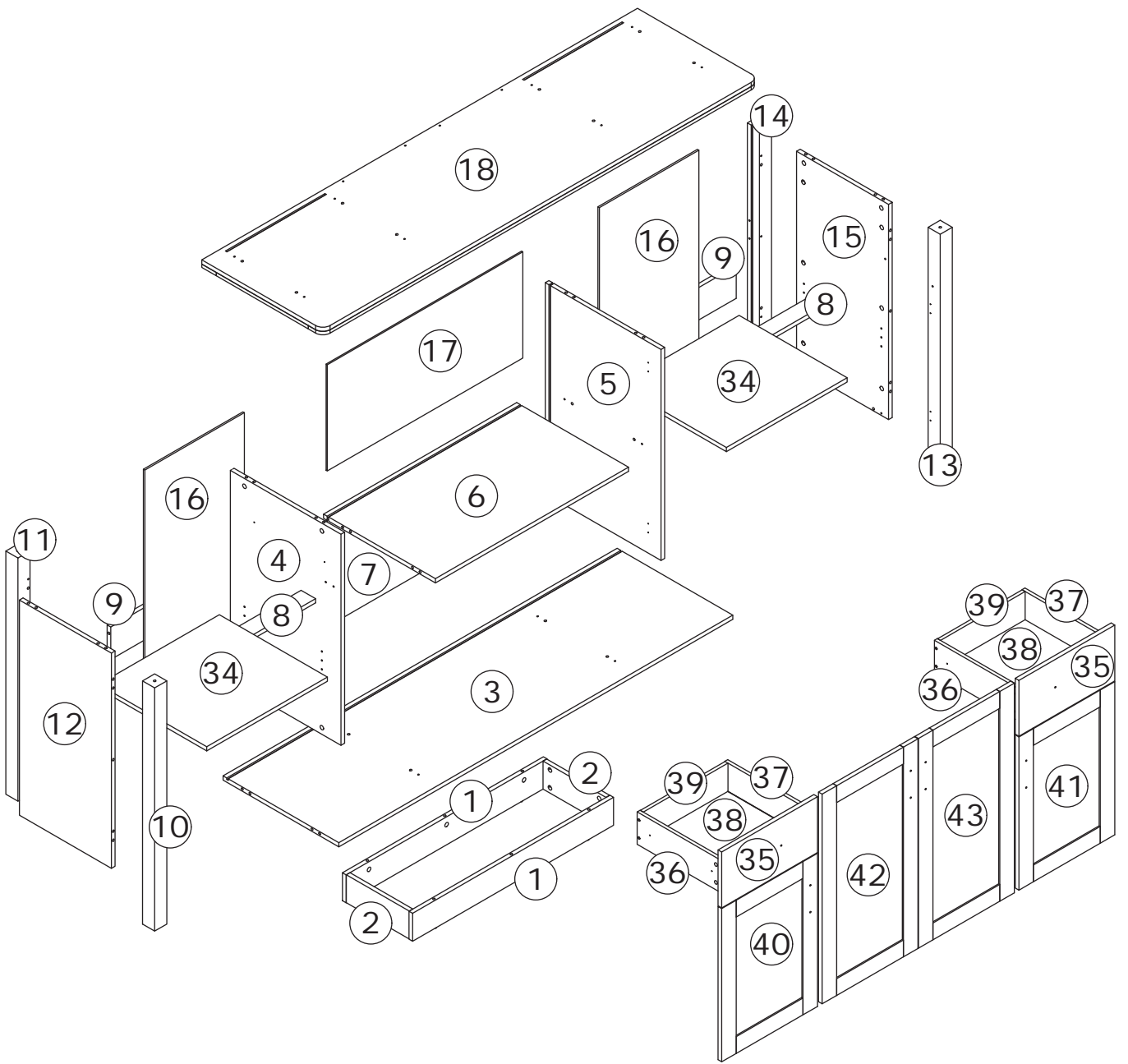


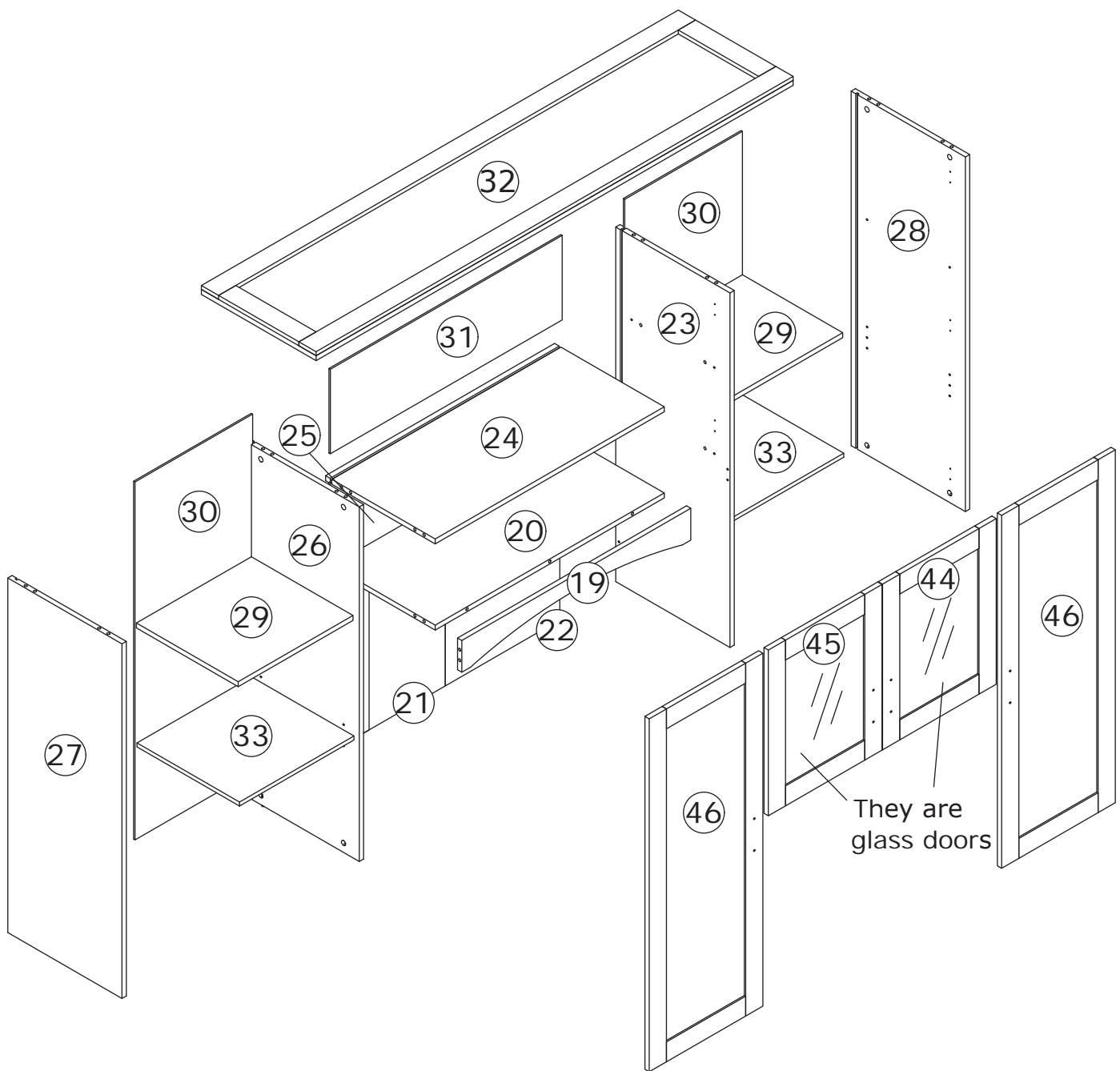
Please prepare the following tools



When installing, please carefully confirm whether each screw corresponds to the manual, accessories with similar shapes can be distinguished by size

<p>A x 115</p>  <p>Ø6 x 40 mm</p>	<p>B x 107</p>  <p>Ø15 x 12 mm</p>	<p>C x 4</p> <p>C1 x 4 C2 x 4</p>  <p>14"</p>	<p>D x 24</p>  <p>Ø3.5 x 12 mm</p>	<p>E x 54</p>  <p>Ø8 x 30 mm</p>
<p>F x 8</p>  <p>F1 Ø6*10mm F2</p>	<p>G x 16</p> 	<p>H x 8</p>  <p>Ø4 x 40 mm</p>	<p>J x 8</p>  <p>Ø10 x 9.5 mm</p>	<p>K x 10</p> 
<p>L x 20</p>  <p>Ø4 x 18 mm</p>	<p>M x 108</p>  <p>Ø3.5 x 14 mm</p>	<p>N x 18</p> 	<p>P x 24</p>  <p>Ø3.5 x 16 mm</p>	<p>Q x 24</p> 
<p>R x 1</p>  <p>Ø60 mm</p>	<p>S x 8</p>  <p>Ø12 x 10 mm</p>	<p>T x 1</p> <p>T1 x 2  Ø3.5*14mm    T4 x 2  Ø3.5*35mm</p> <p>T2 x 2 </p> <p>T3 x 2 </p> <p>T5 x 2 </p>		<p>U x 1</p> 





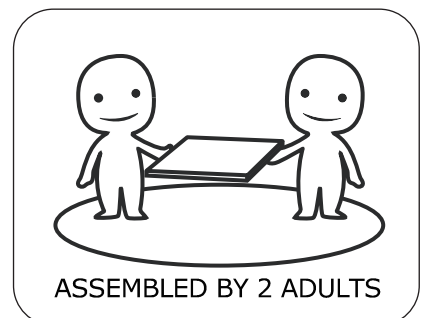
## ⚠ WARNING



**Children have died from furniture tipover. To reduce the risk of furniture tipover:**

- ALWAYS install Anti-tip device provided.
- NEVER put a TV on this product.
- NEVER allow children to stand, climb or hang on drawers, doors, or shelves.
- NEVER open more than one drawer at a time.
- Place heaviest items in the lowest drawers.

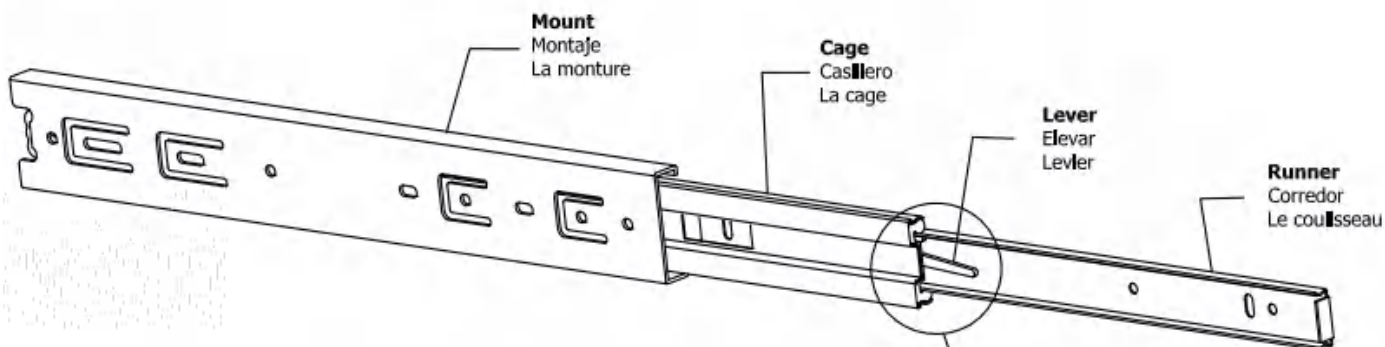
*This is a permanent label.  
Do not remove!*



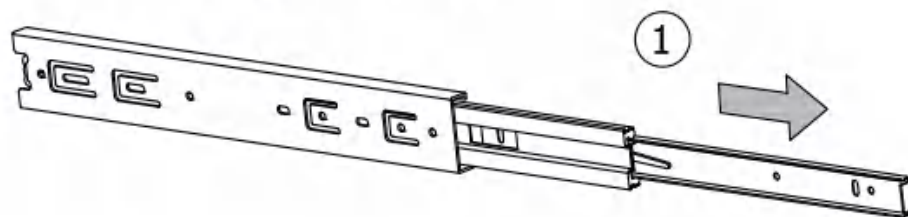
**Slides Must Be Separated Before Assembly.  
After Separated, Set Aside Until Needed for Assembly.**

Las diapositivas deben separarse antes del montaje.  
Después de la separación, déjelo a un lado hasta que sea necesario.

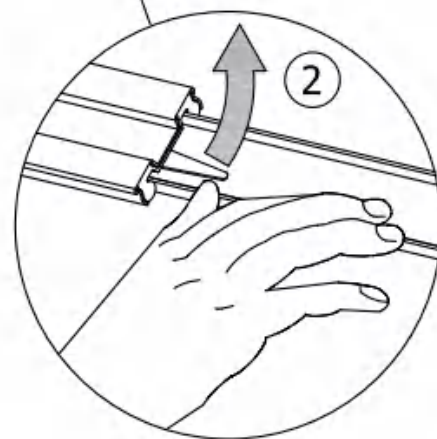
Les glissières doivent être séparées avant l'assemblage.  
Après la séparation, mettez de côté jusqu'au moment de l'assemblage.



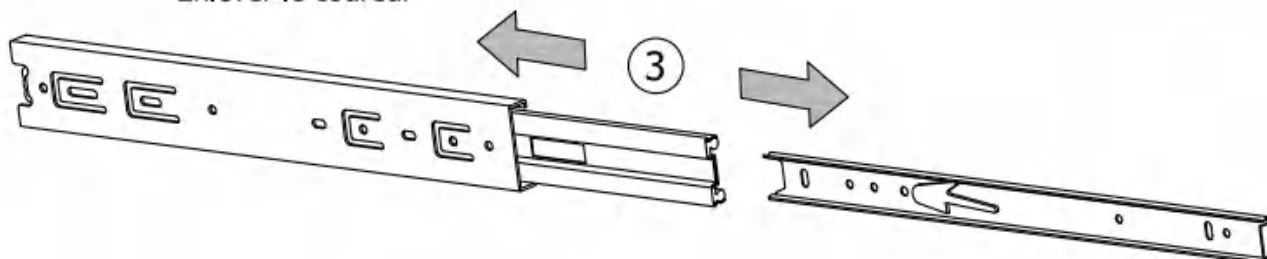
**STEP 1: Extend Slide**  
Extender la diapositiva  
Extendre la diapositive



**STEP 2: Push Lever UP**  
Empujar hacia arriba  
Lever le levier

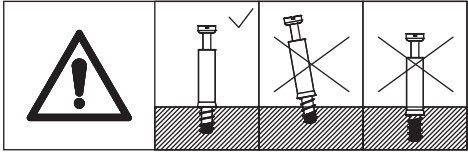
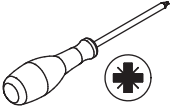


**STEP 3: Remove Runner**  
Quitar el corredor  
Enlever le coureur

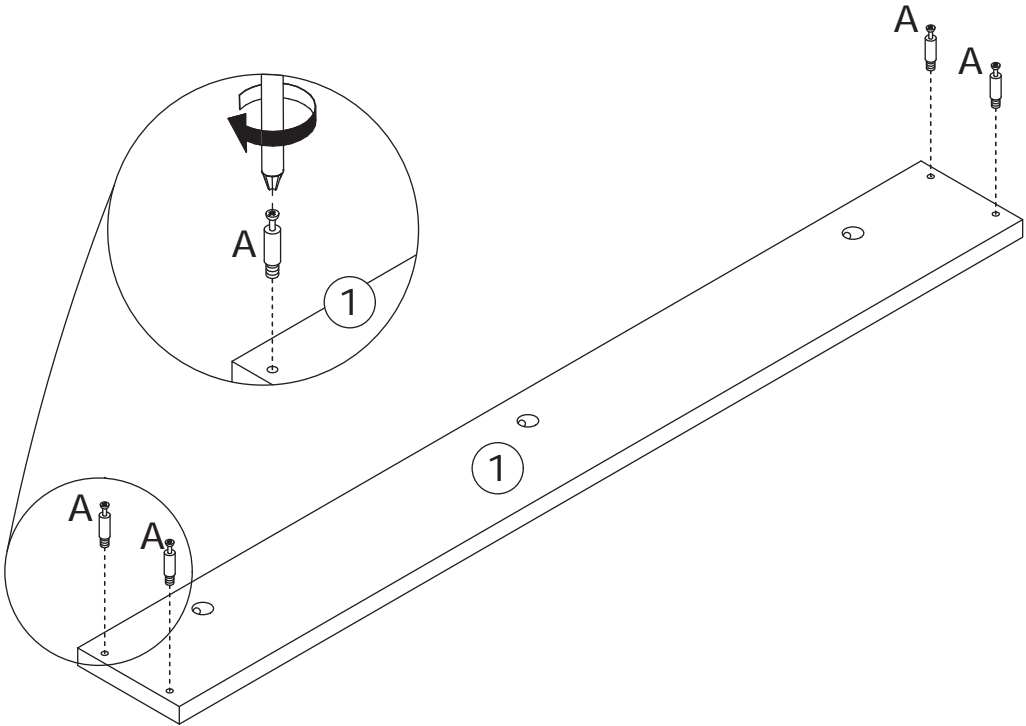


1

A x 8  
Ø6 x 40 mm



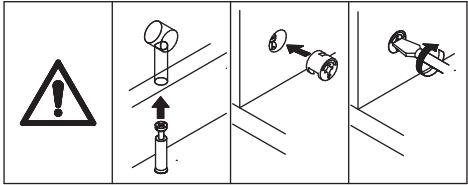
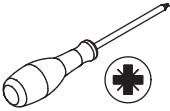
Screw eccentric rod (A) onto plate 1.



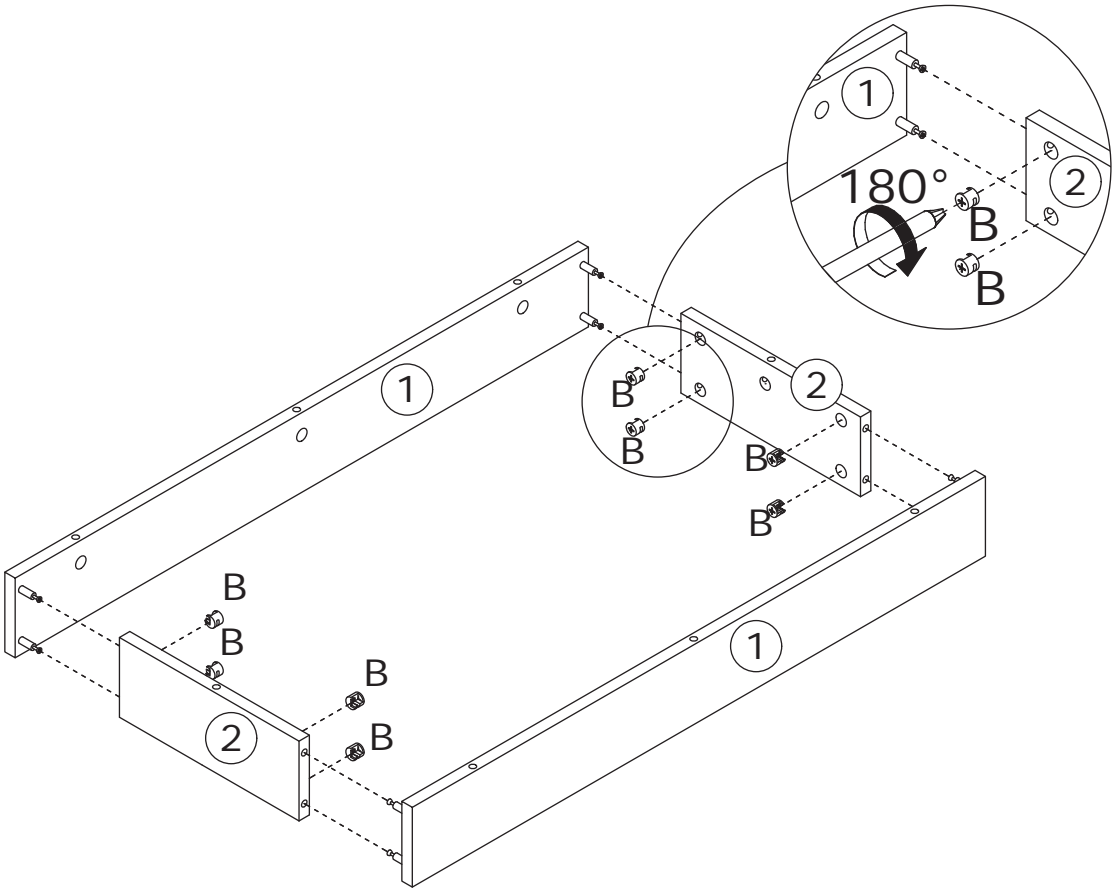
x2

2

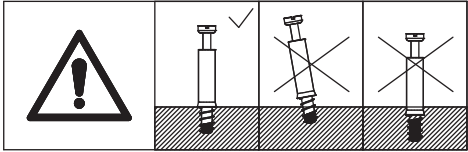
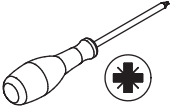
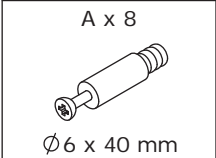
B x 8  
Ø 15 x 12 mm



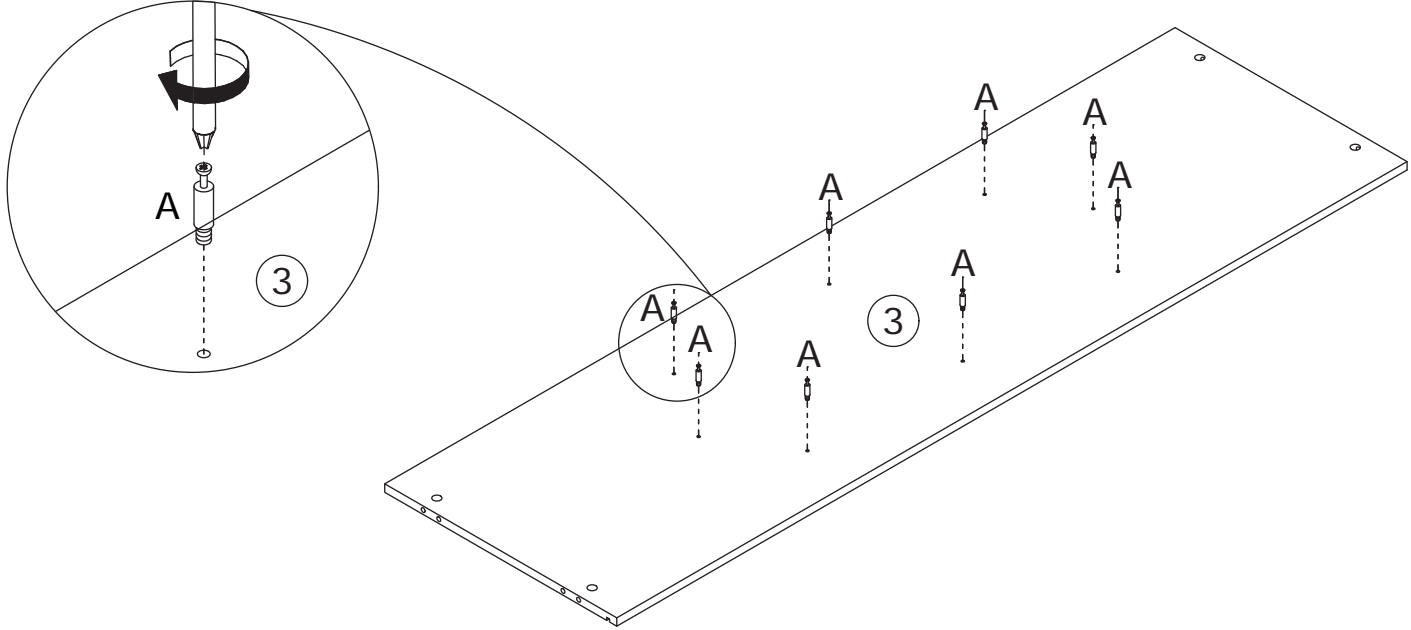
Connect plate 2 to plate 1, tighten by turning cam lock (B) clockwise, as shown.



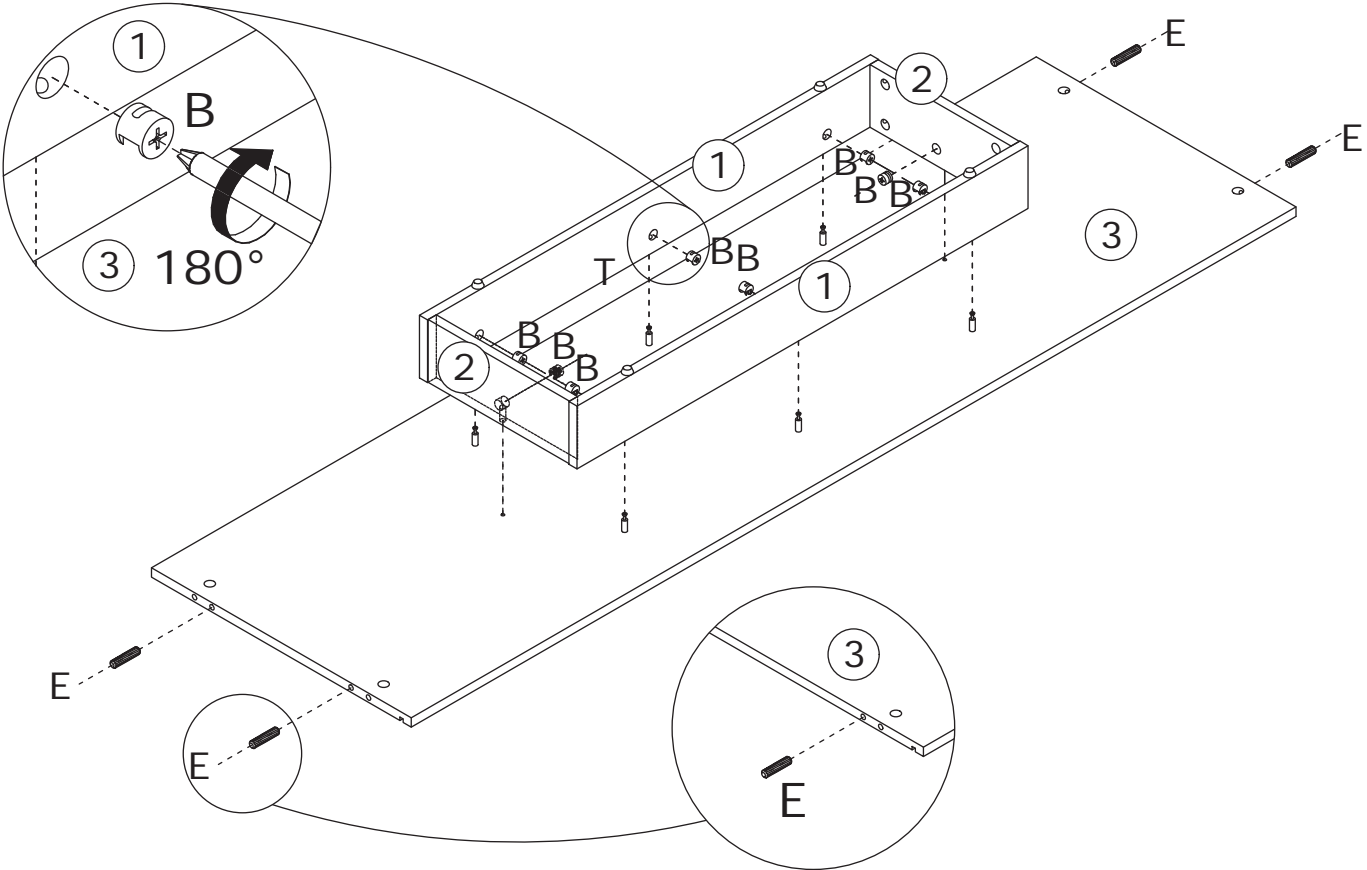
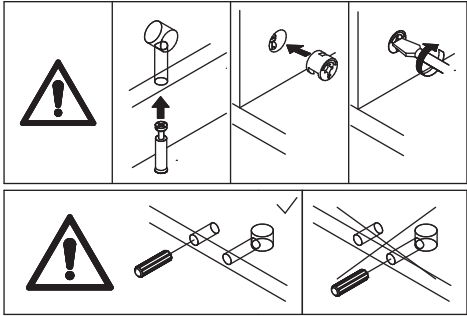
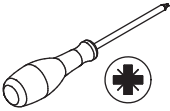
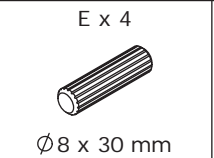
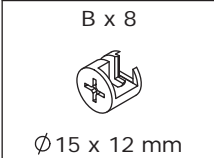
3



Screw eccentric rod (A) onto plate 3.

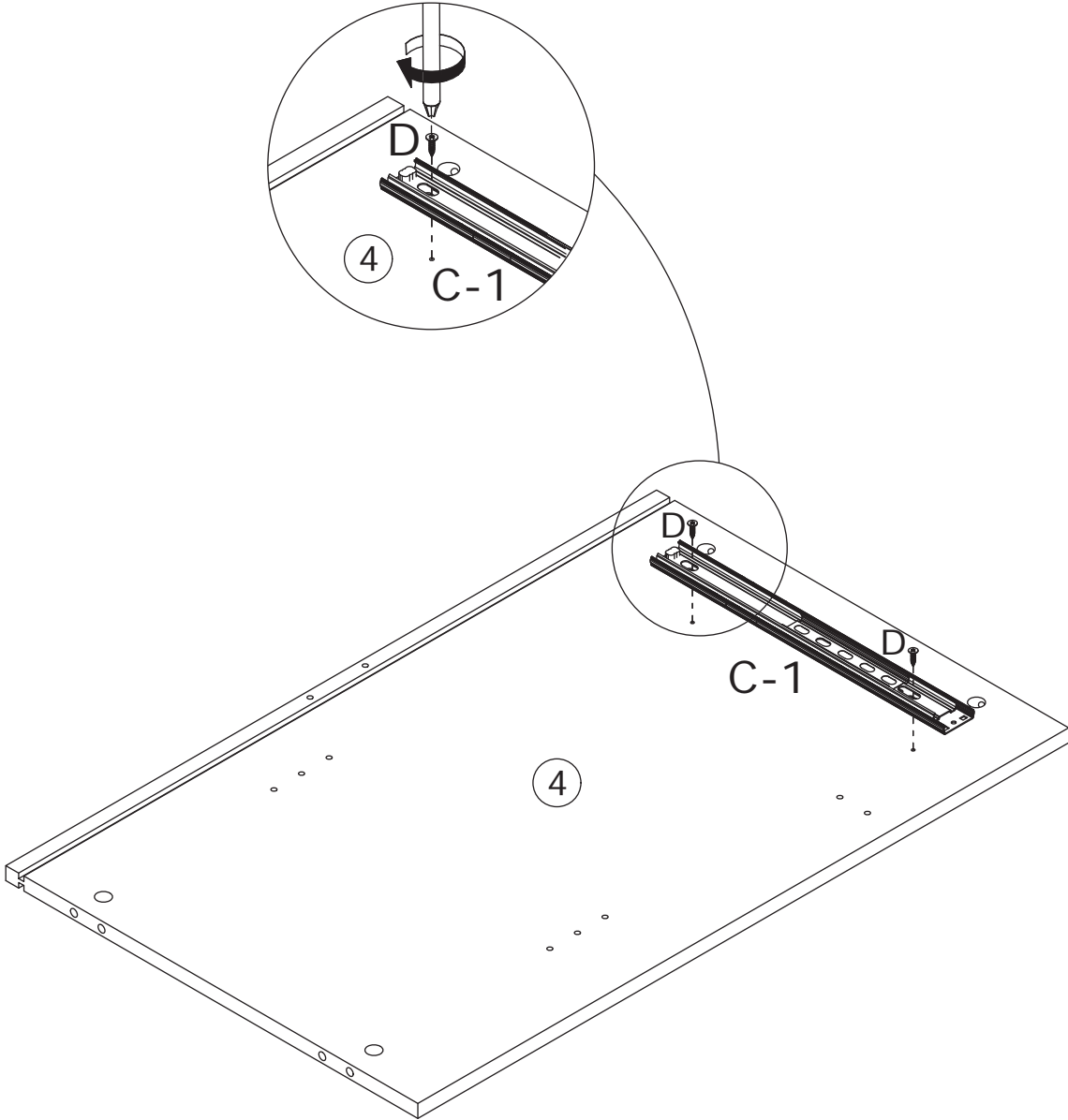
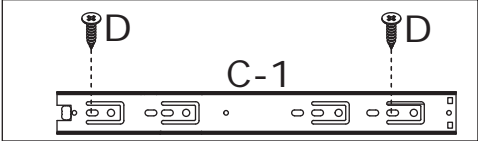
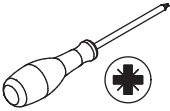
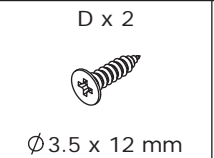
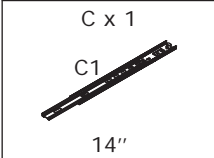


4



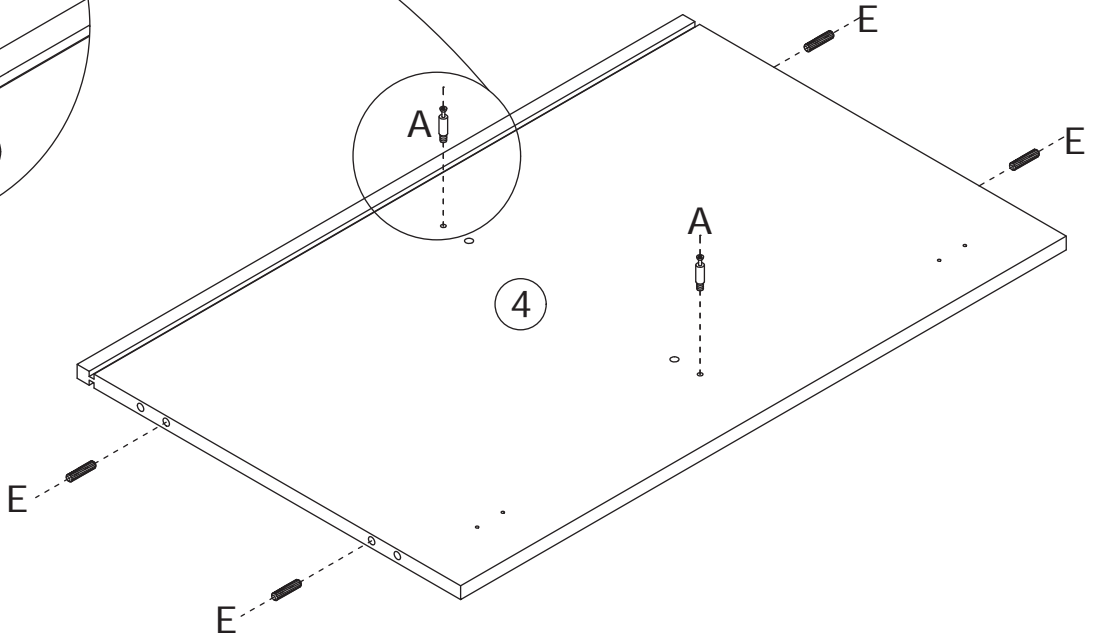
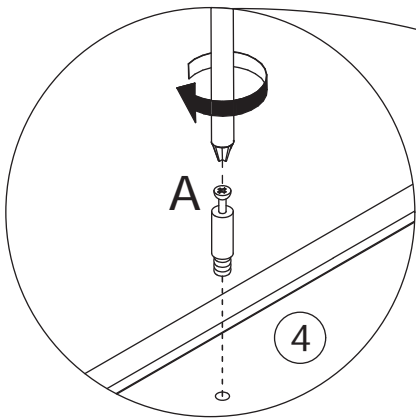
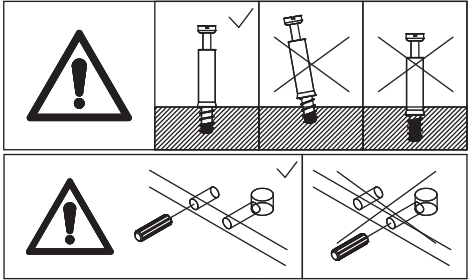
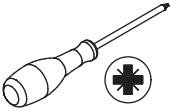
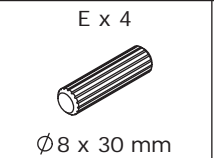
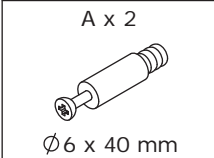
Connect plates 1 and 2 to plate 3, tighten by turning cam lock (B) clockwise, as shown.  
Insert wooden dowel (E) into plate 3.

5



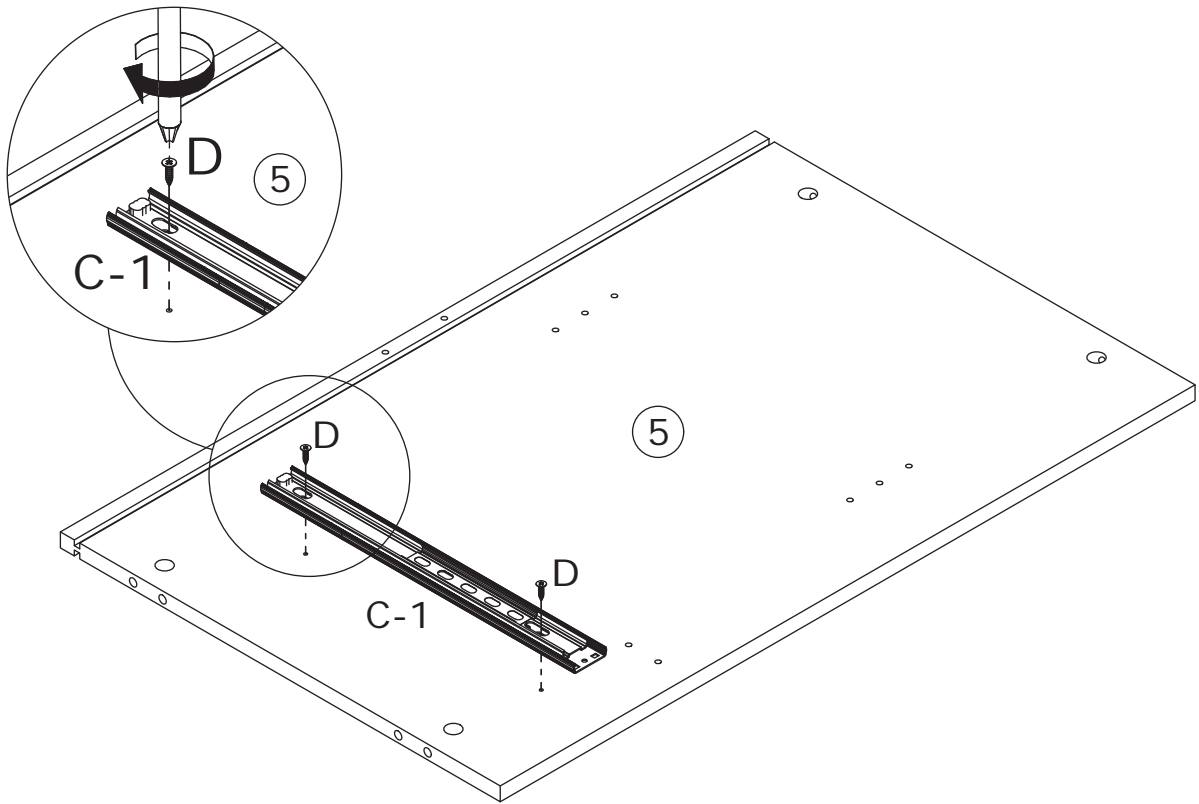
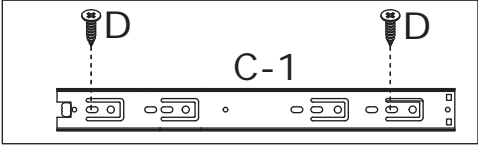
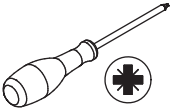
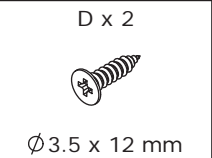
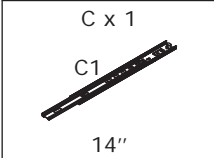
Secure slide rail (C-1) to plate 4 using screws (D).

6



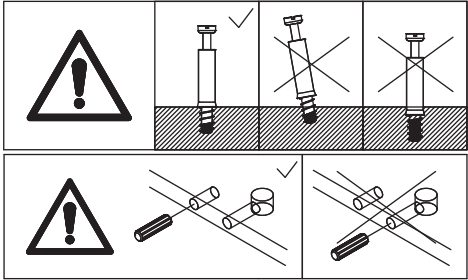
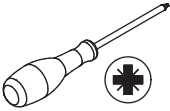
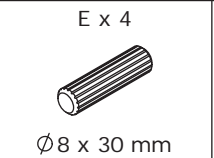
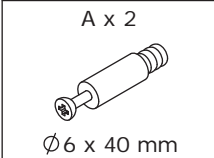
**Flip the same plate 4 to back,** screw eccentric rod (A) and insert wooden dowel (E) to plate 4.

7

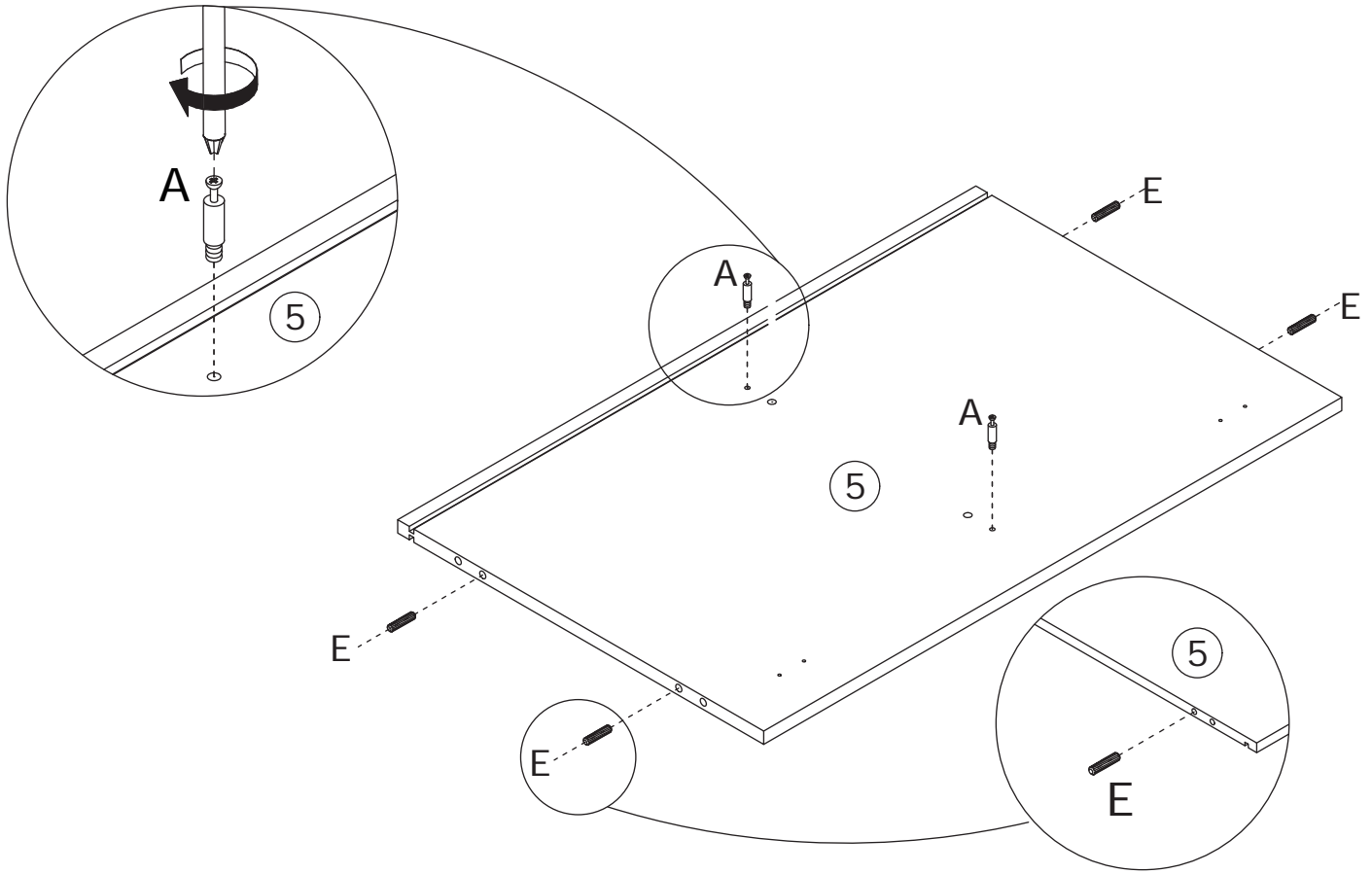


Secure slide rail (C-1) to plate 5 using screws (D).

8



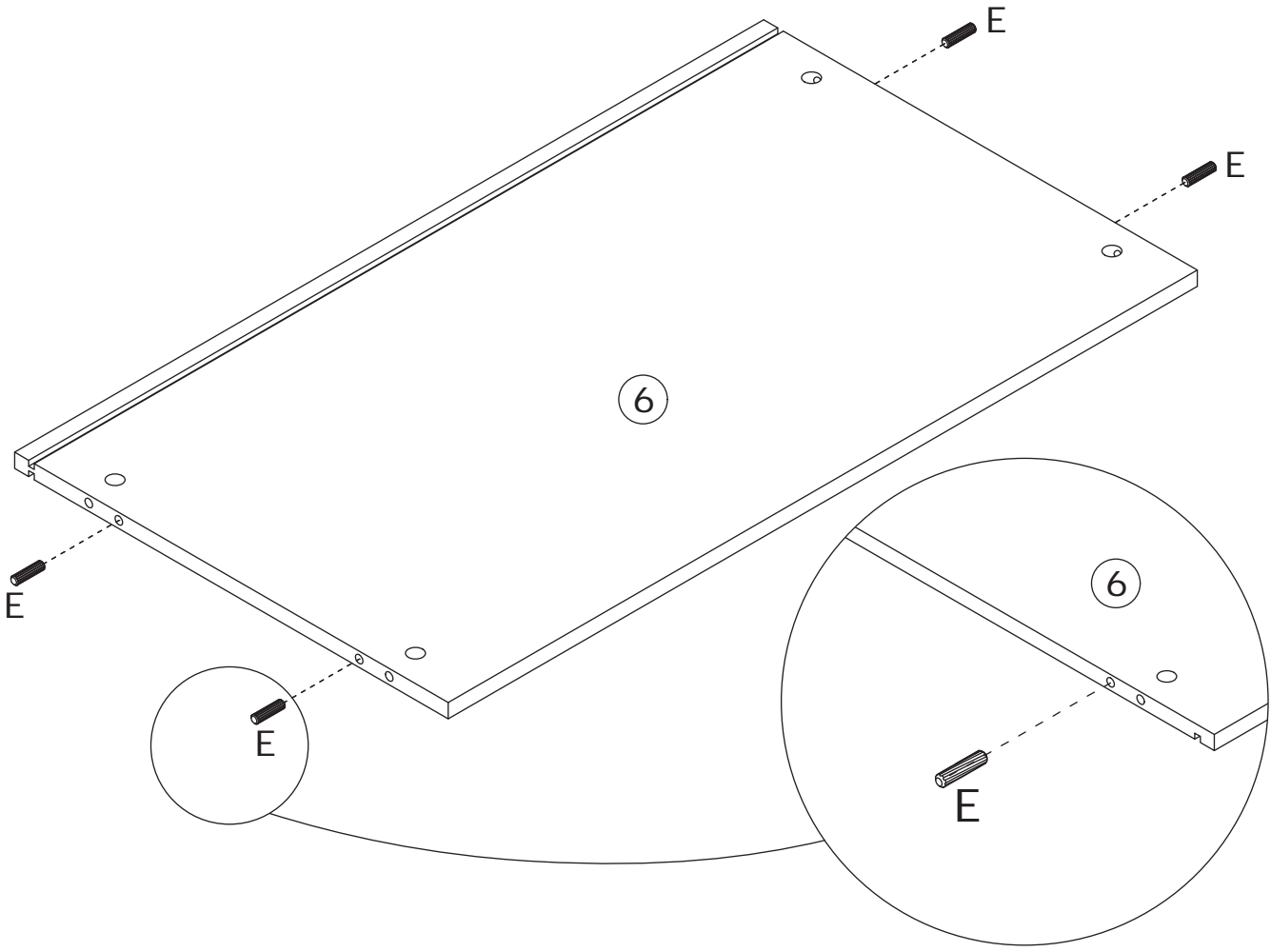
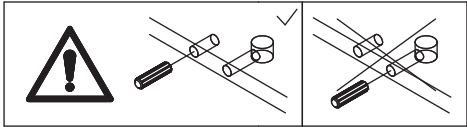
**Flip to back**



**Flip the same plate 5 to back, screw eccentric rod (A) and insert wooden dowel (E) to plate 5.**

9

E x 4  
Ø8 x 30 mm



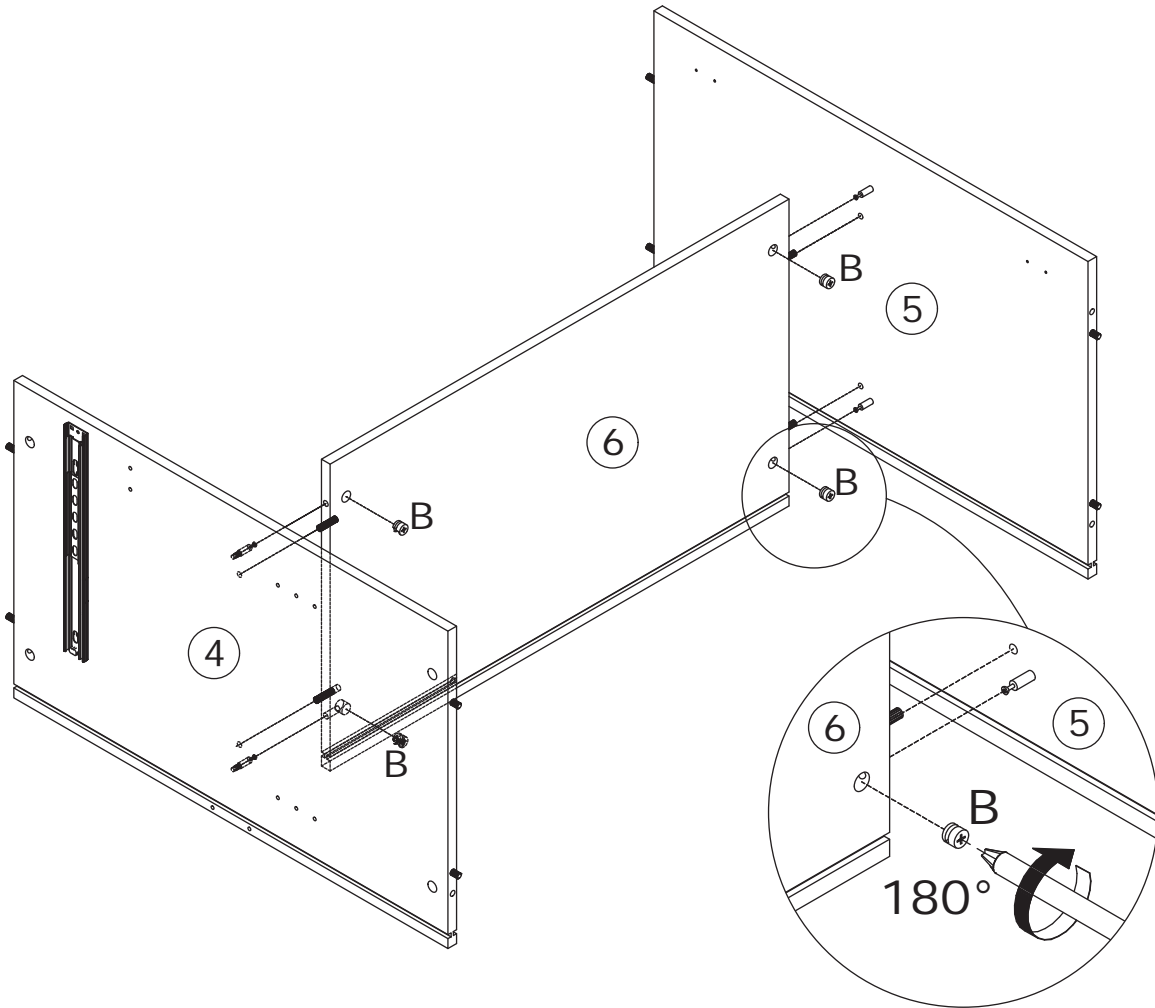
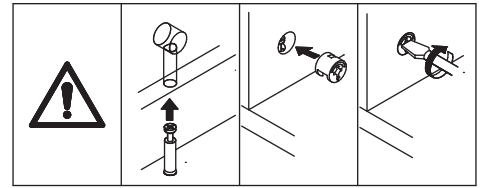
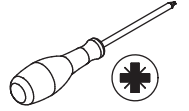
Insert wooden dowel (E) into plate 6.

10

B x 4

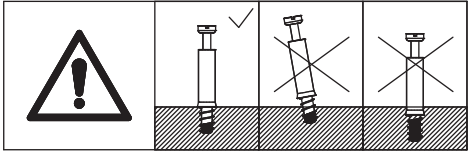
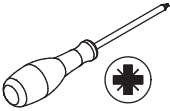
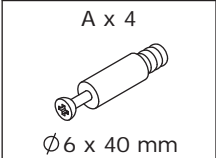


Ø 15 x 12 mm

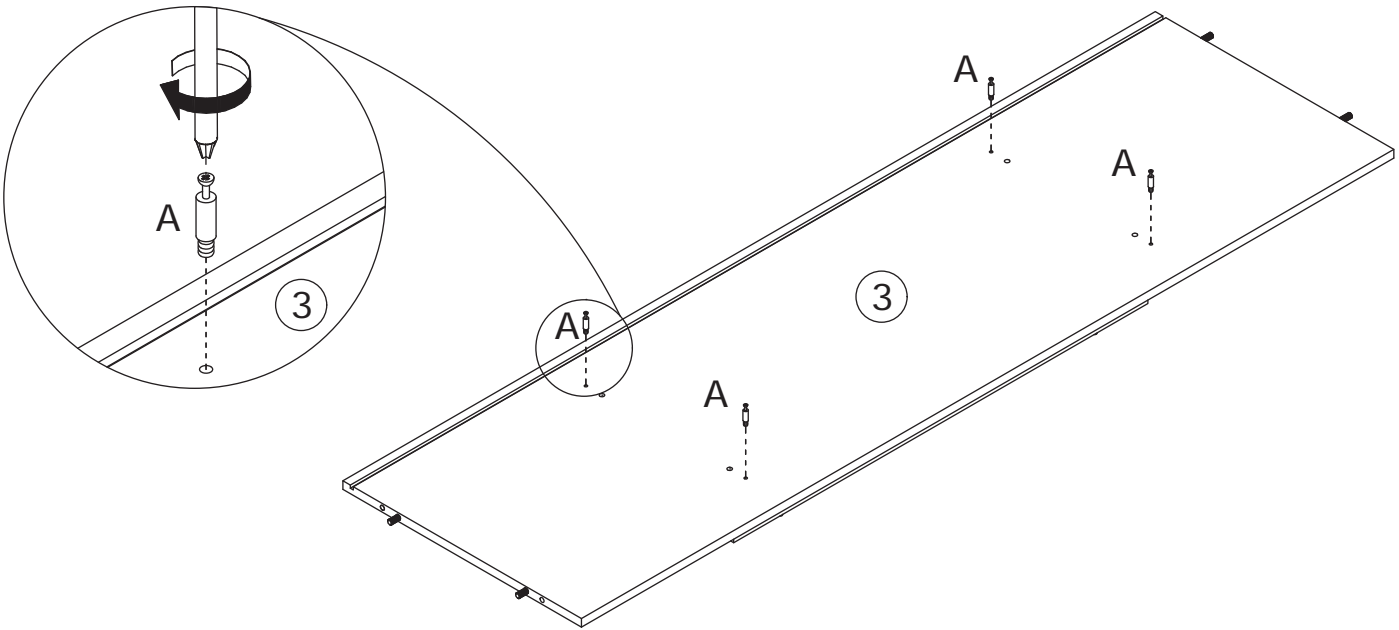


Connect plate 6 to plates 4 and 5, tighten by turning cam lock (B) clockwise, as shown.

11



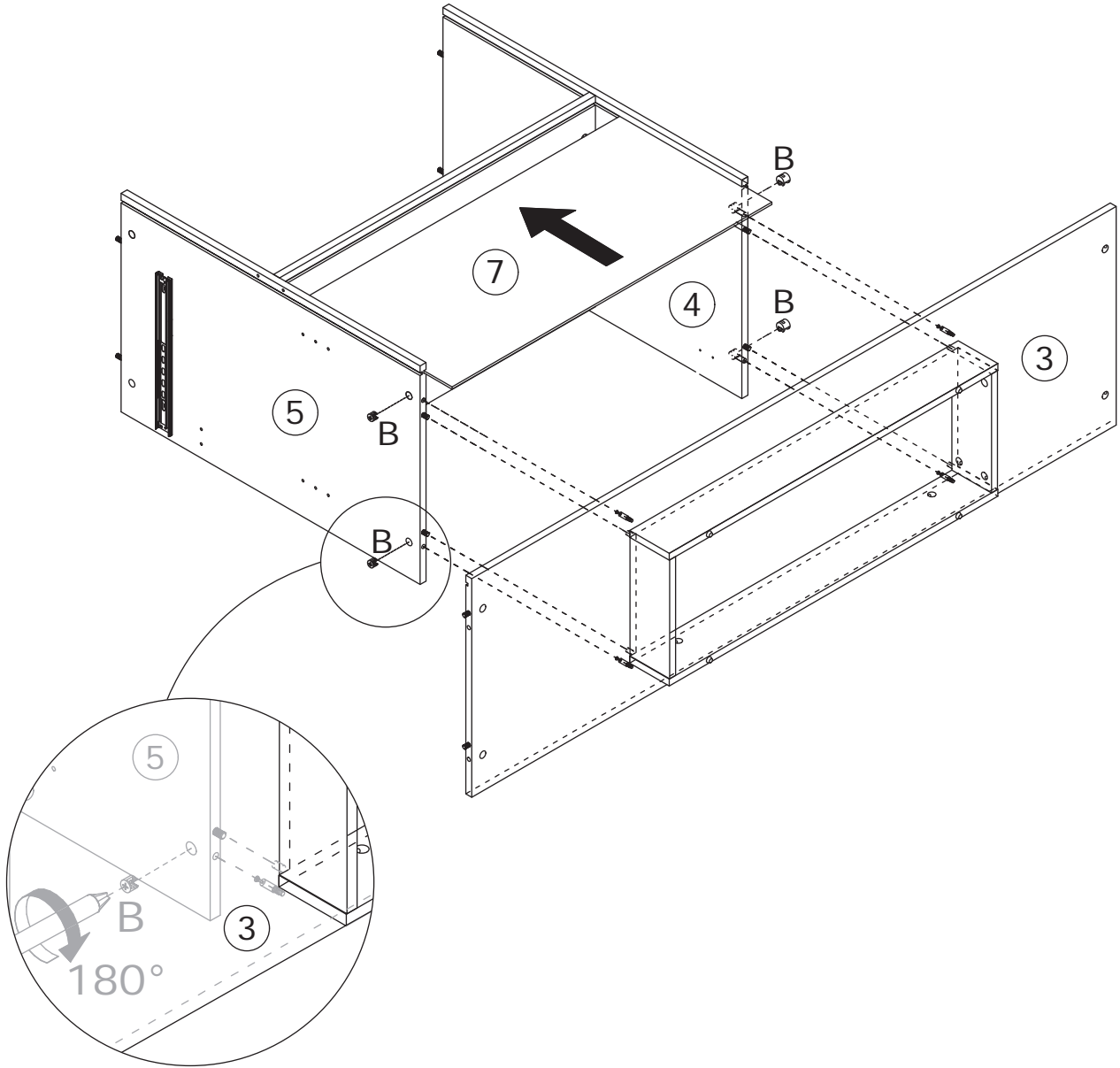
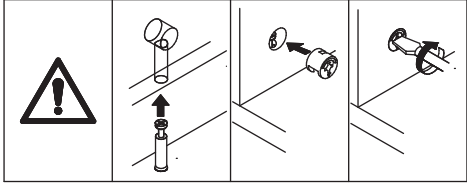
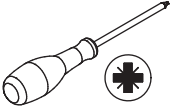
Flip to back



Screw eccentric rod (A) onto plate 3.

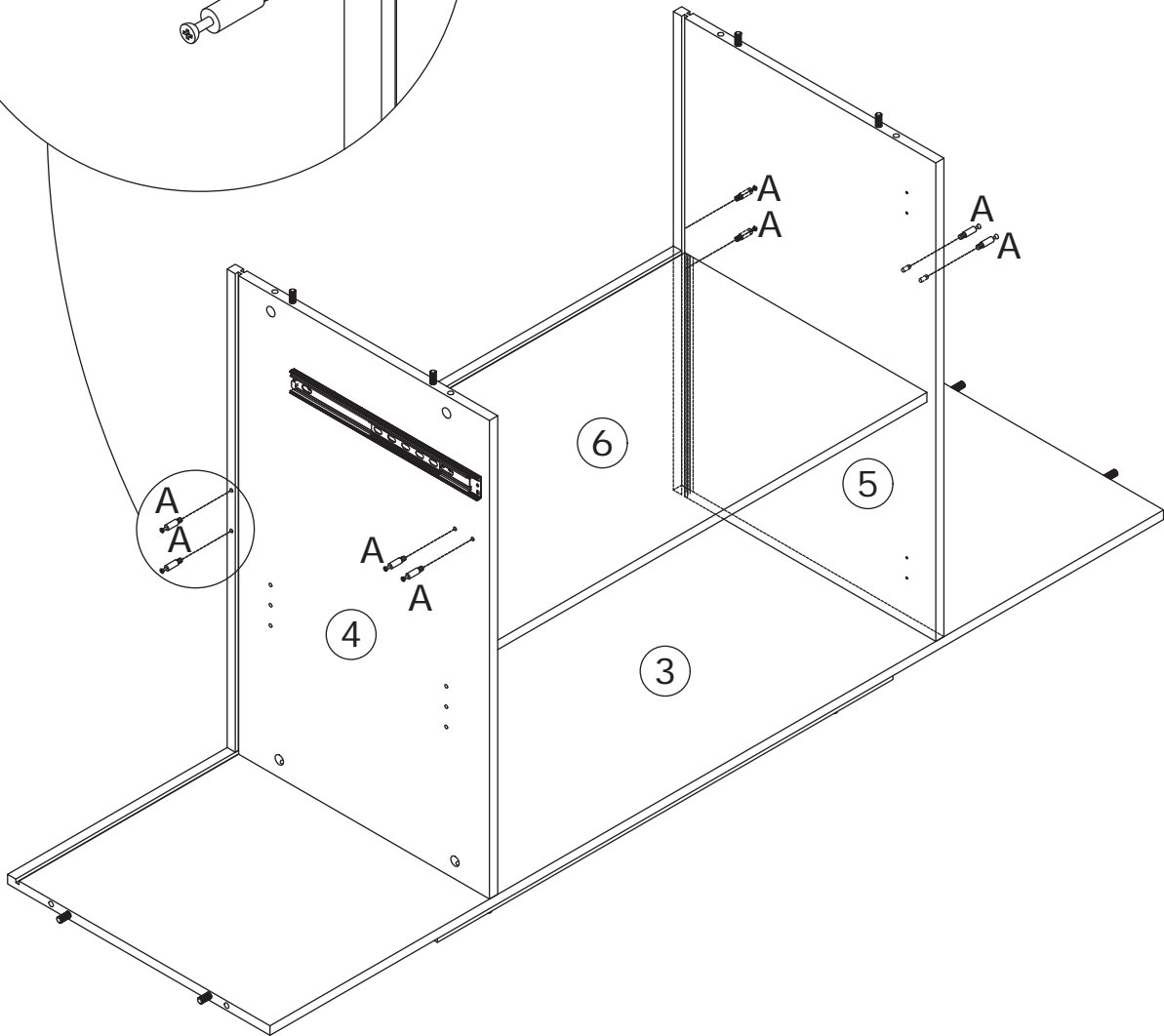
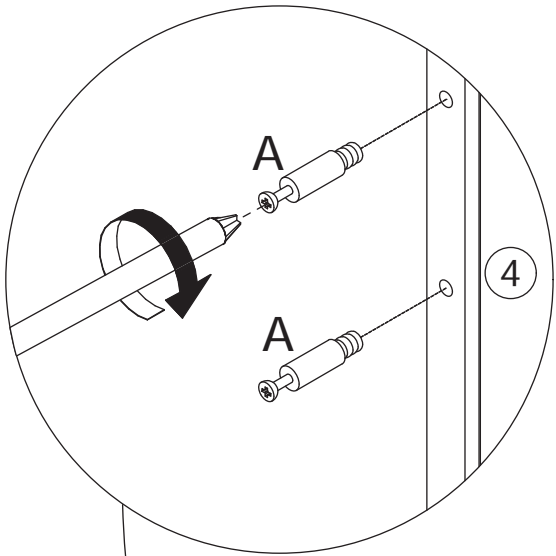
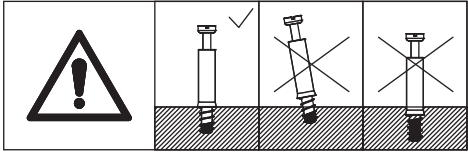
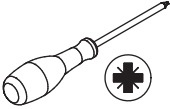
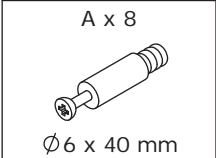
12

B x 4  
Ø 15 x 12 mm



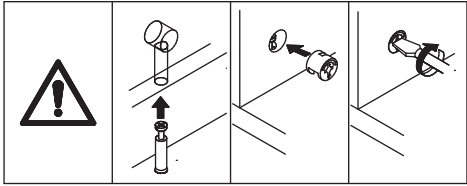
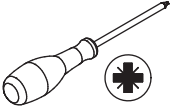
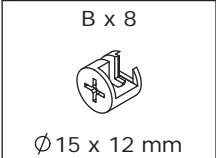
Insert plate 7 along the available slots.  
Connect plates 4 and 5 to plate 3, tighten by turning cam lock (B) clockwise, as shown.

13

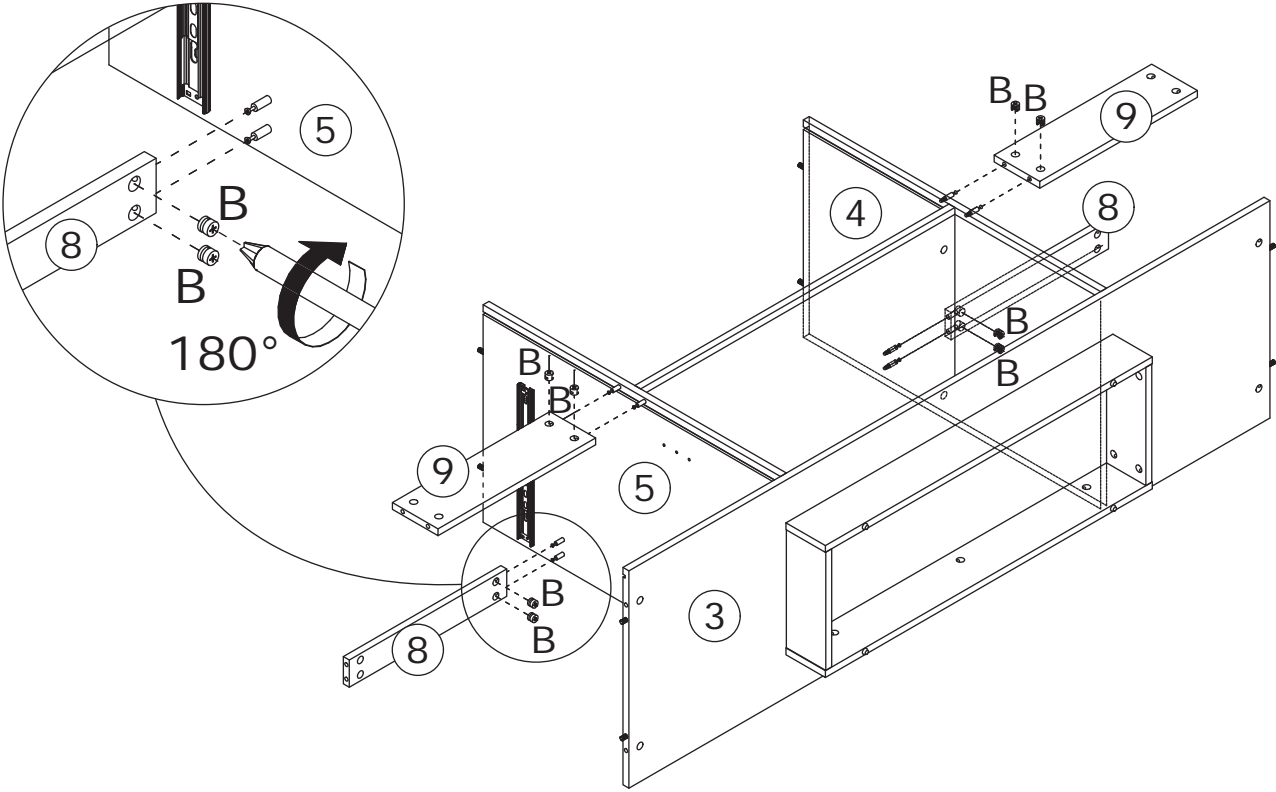


Screw eccentric rod (A) onto plates 4 and 5.

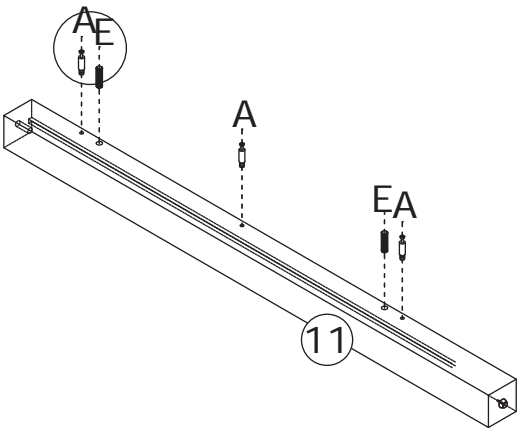
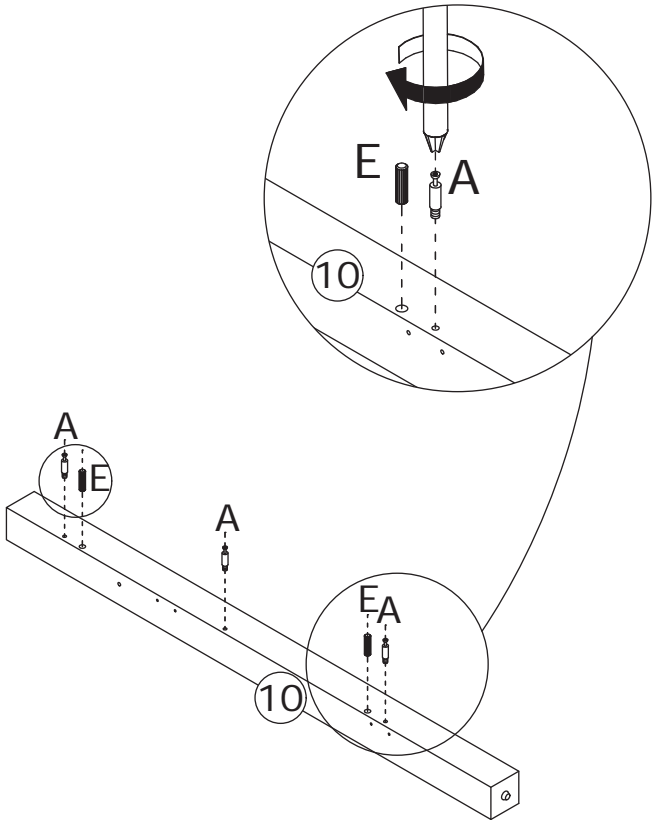
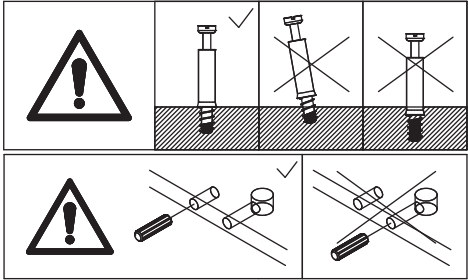
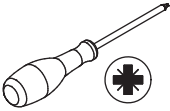
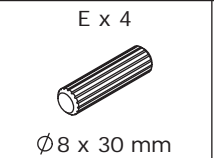
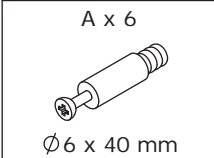
14



Connect plates 8 and 9 to plates 4 and 5, tighten by turning cam lock (B) clockwise, as shown.



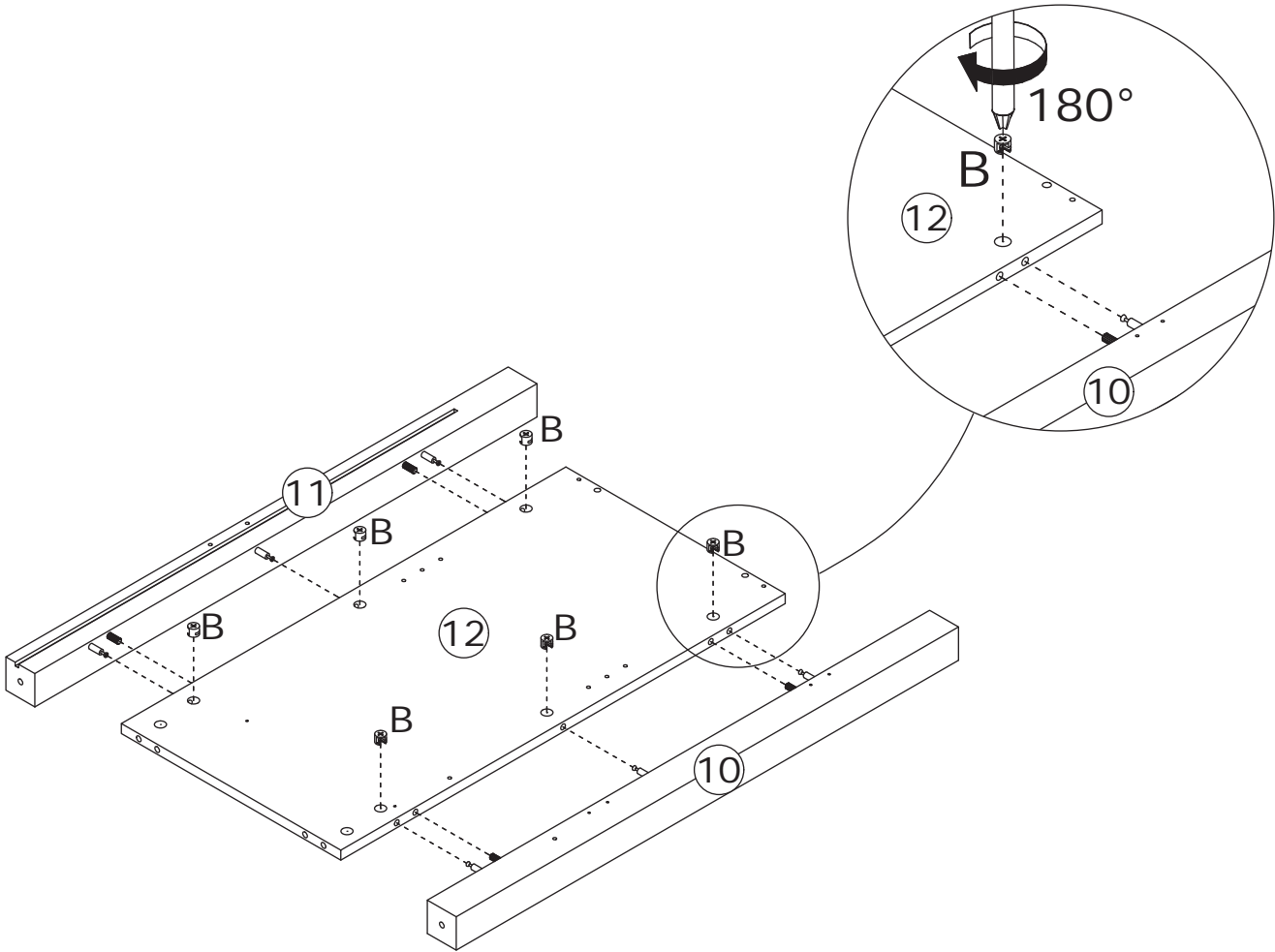
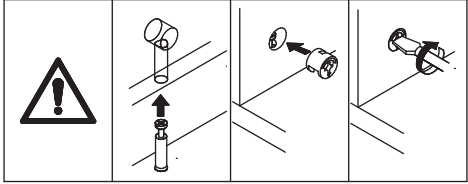
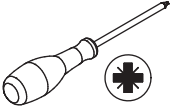
15



Screw eccentric rod (A) and insert wooden dowel (E) to boards 10 and 11.

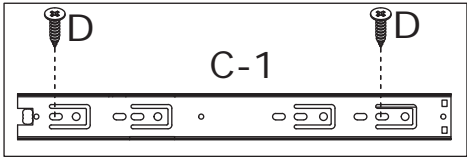
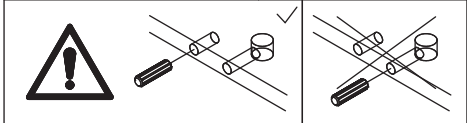
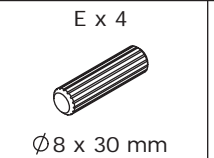
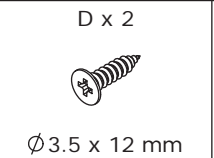
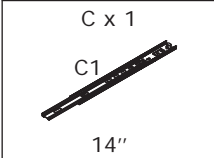
16

B x 6  
Ø 15 x 12 mm

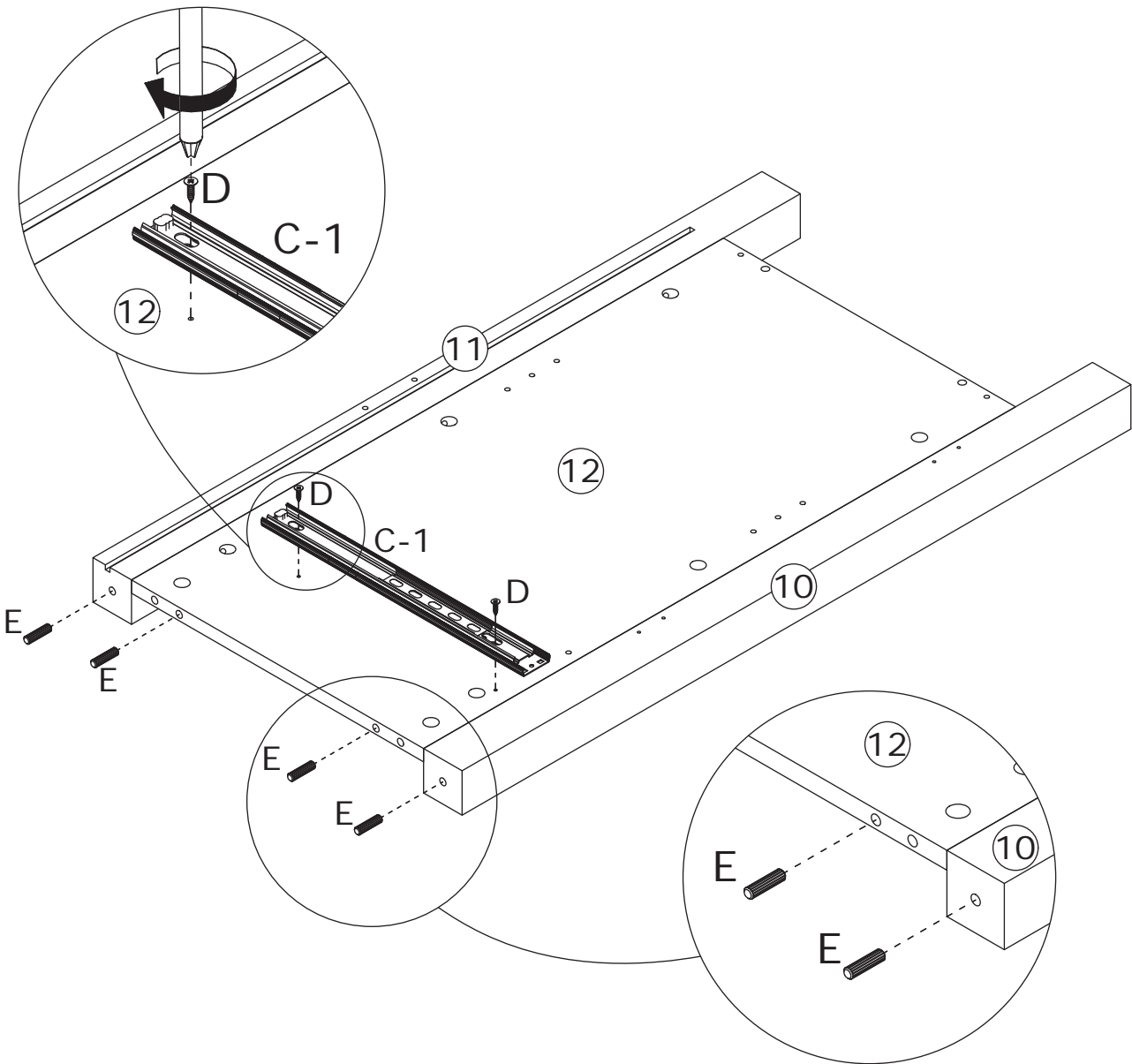


Connect boards 10 and 11 to plate 12, tighten by turning cam lock (B) clockwise, as shown.

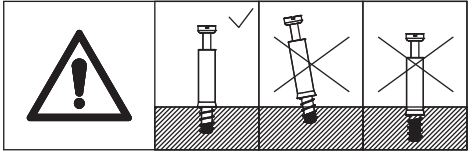
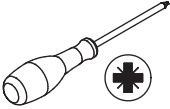
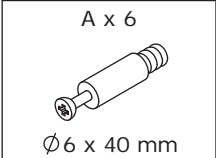
17



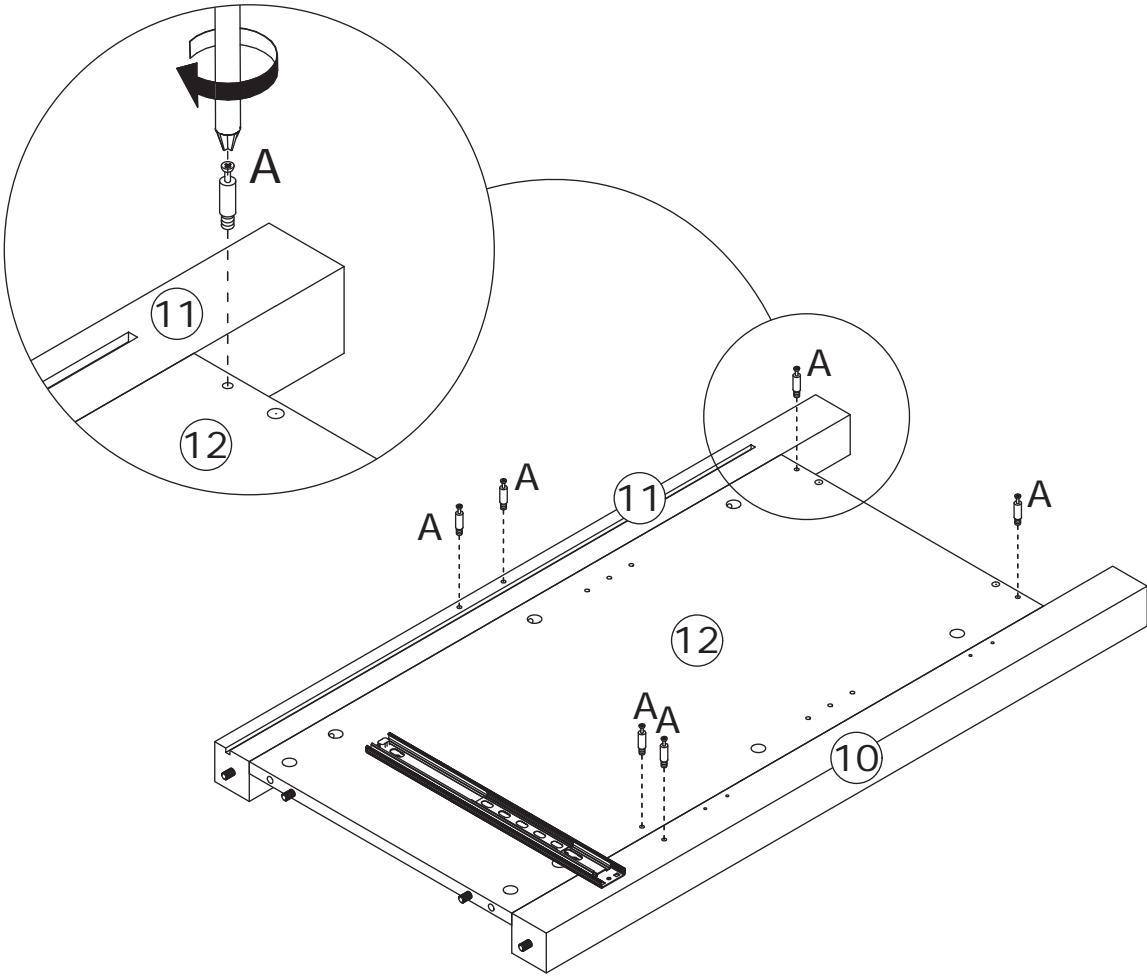
Secure slide rail (C-1) to plate 12 using screws (D).  
Insert wooden dowel (E) into boards 10, 11, and plate 12.



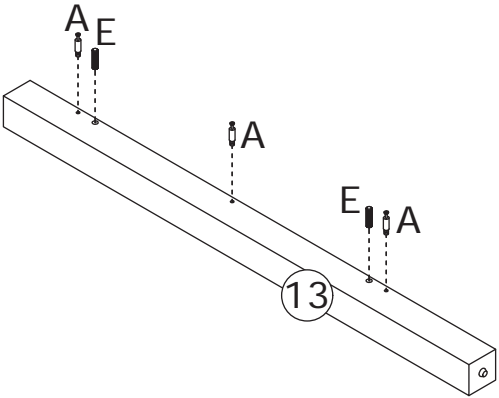
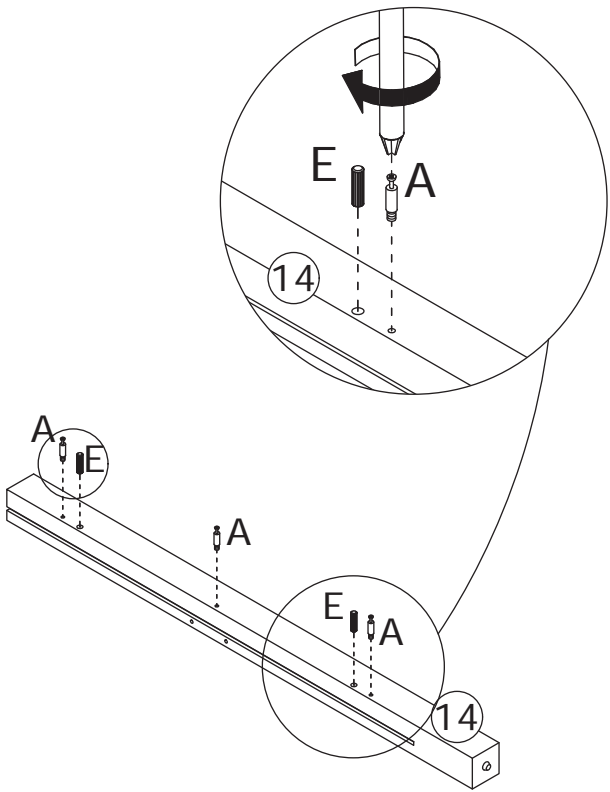
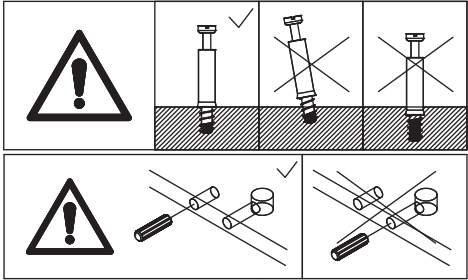
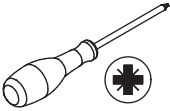
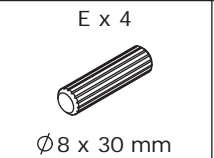
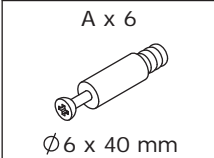
18



Screw eccentric rod (A) onto boards 10, 11 and plate 12.



19



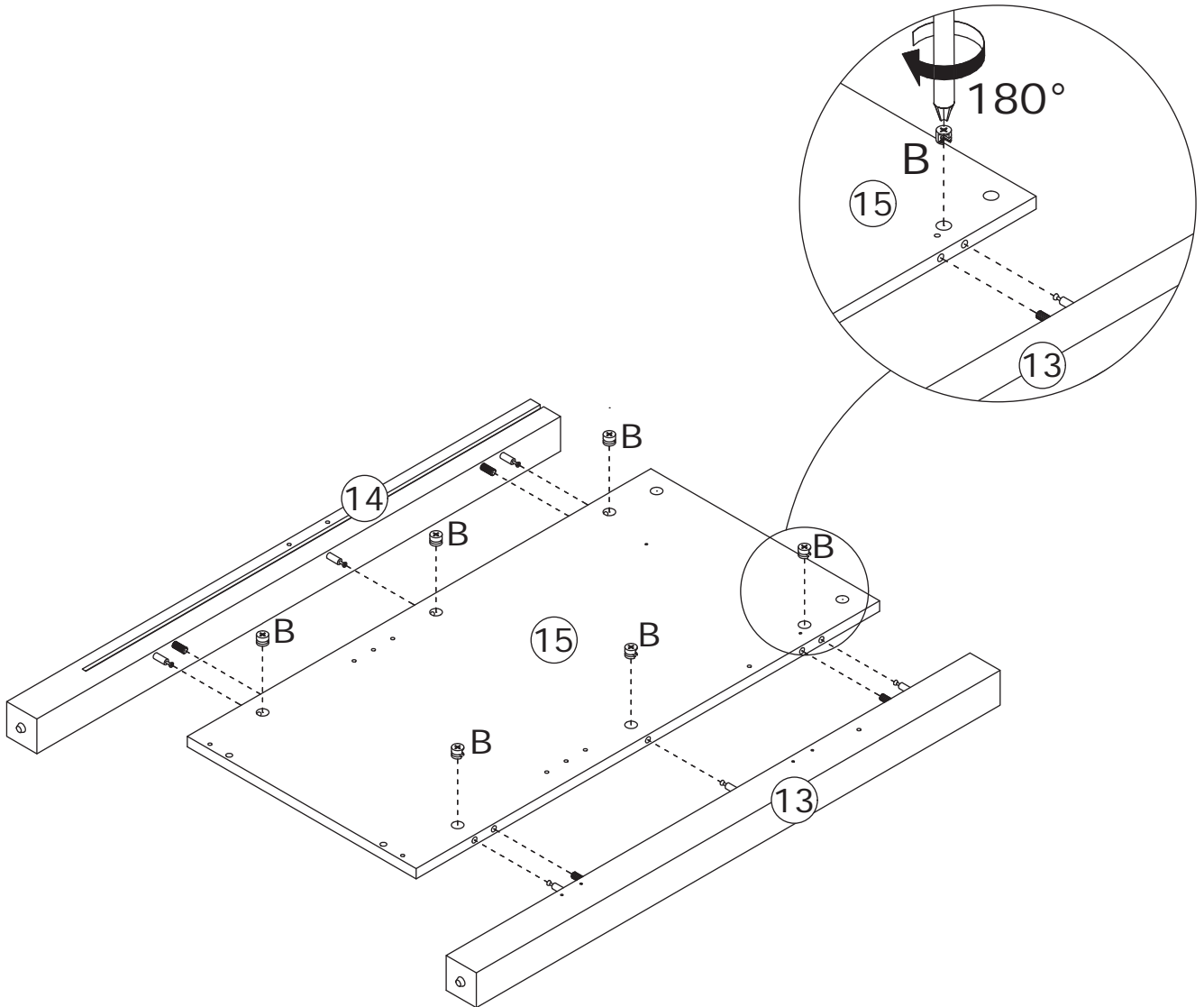
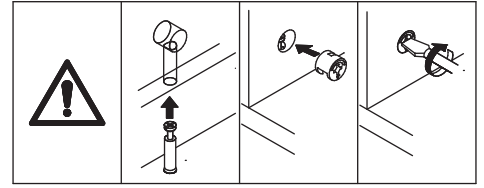
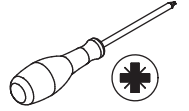
Screw eccentric rod (A) and insert wooden dowel (E) to boards 13 and 14.

20

B x 6


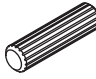
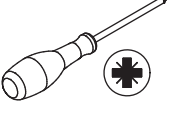


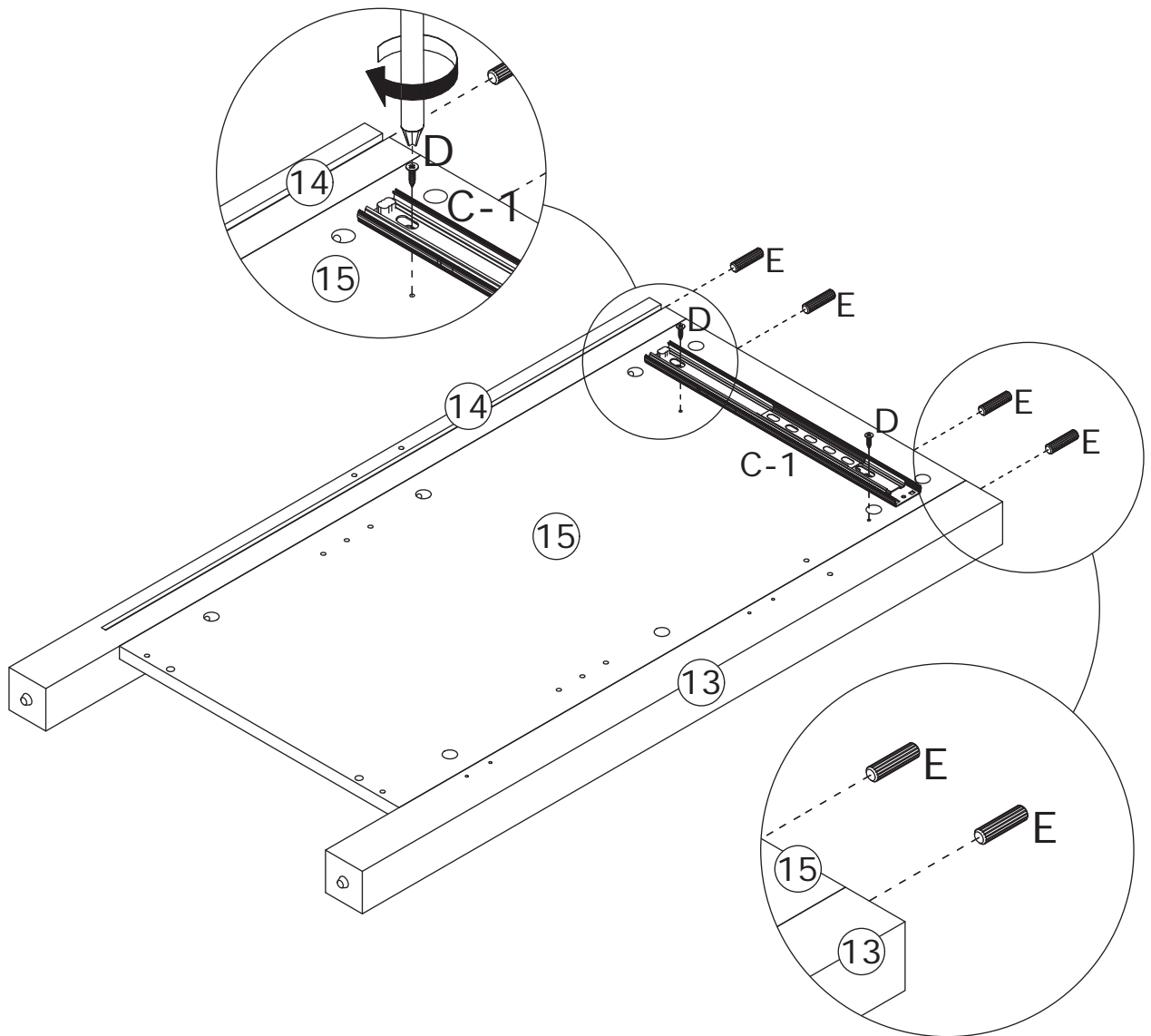
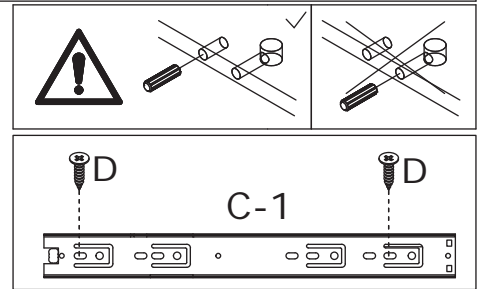
Ø 15 x 12 mm



Connect boards 13 and 14 to plate 15, tighten by turning cam lock (B) clockwise, as shown.

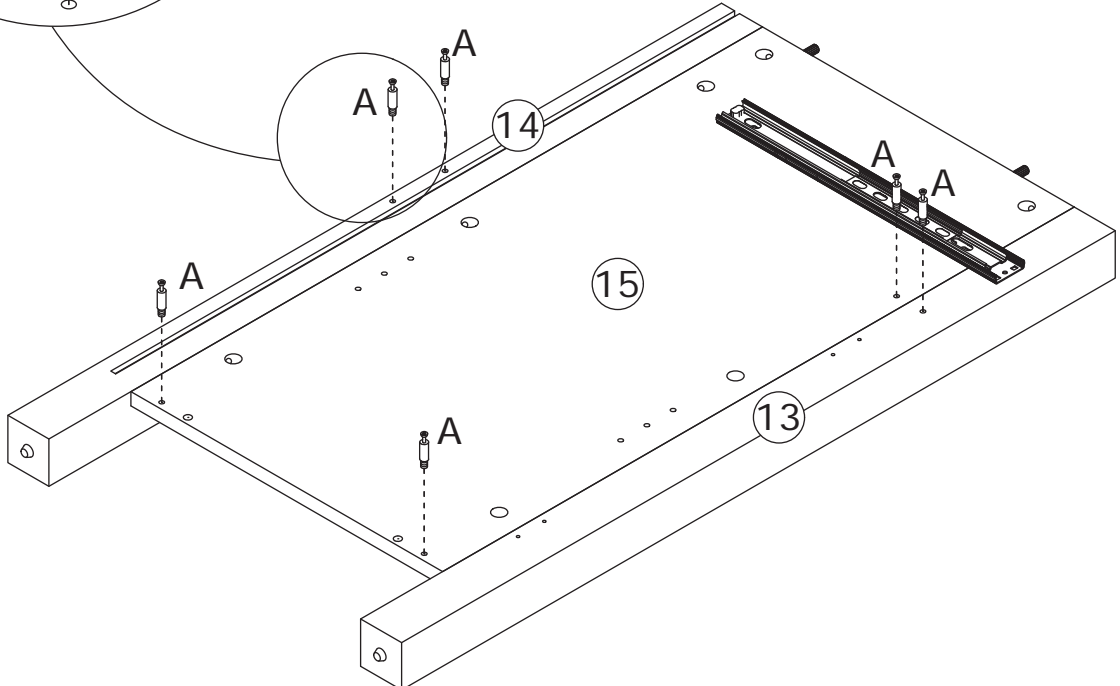
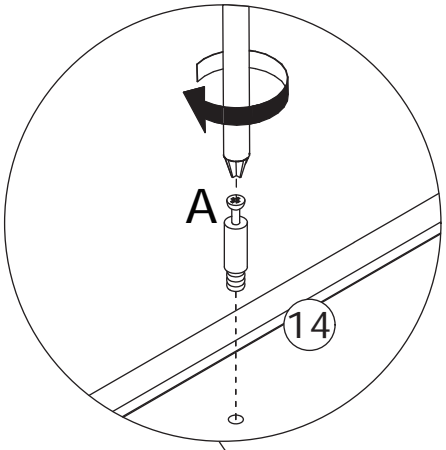
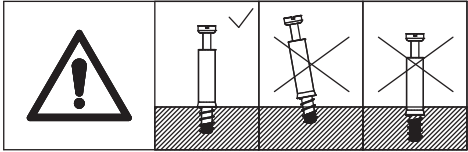
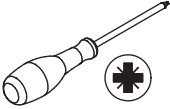
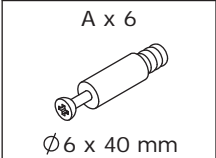
21

C x 1 C1 14"	D x 2  Ø3.5 x 12 mm	E x 4  Ø8 x 30 mm	
--------------------	--	--	---



Secure slide rail (C-1) to plate 15 using screws (D).  
Insert wooden dowel (E) into boards 13, 14 and plate 15.

22



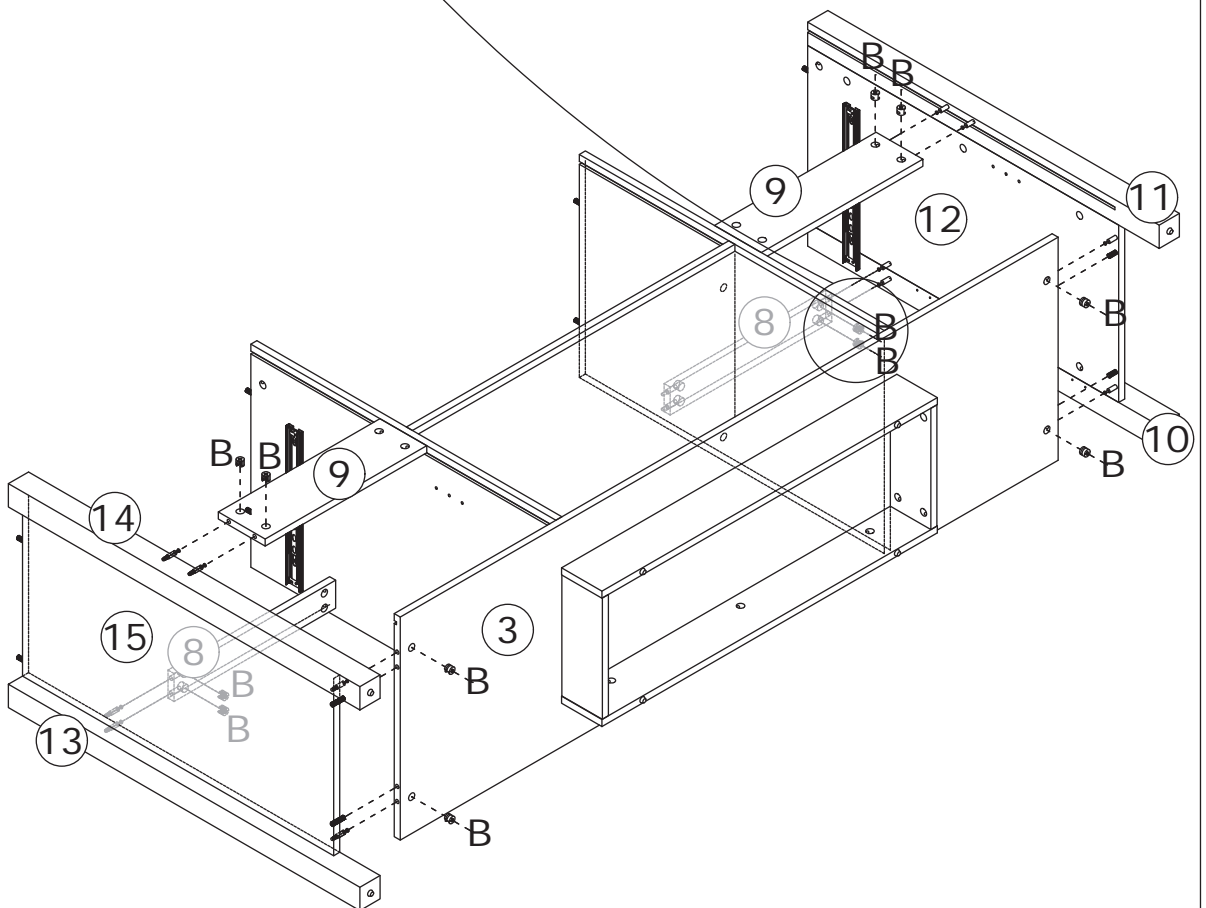
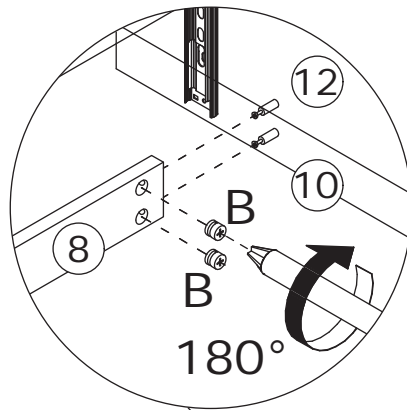
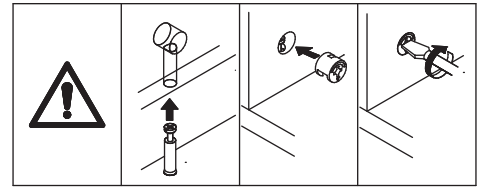
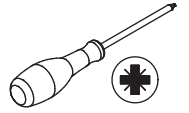
Screw eccentric rod (A) onto boards 13, 14 and plate 15.

23

B x 8



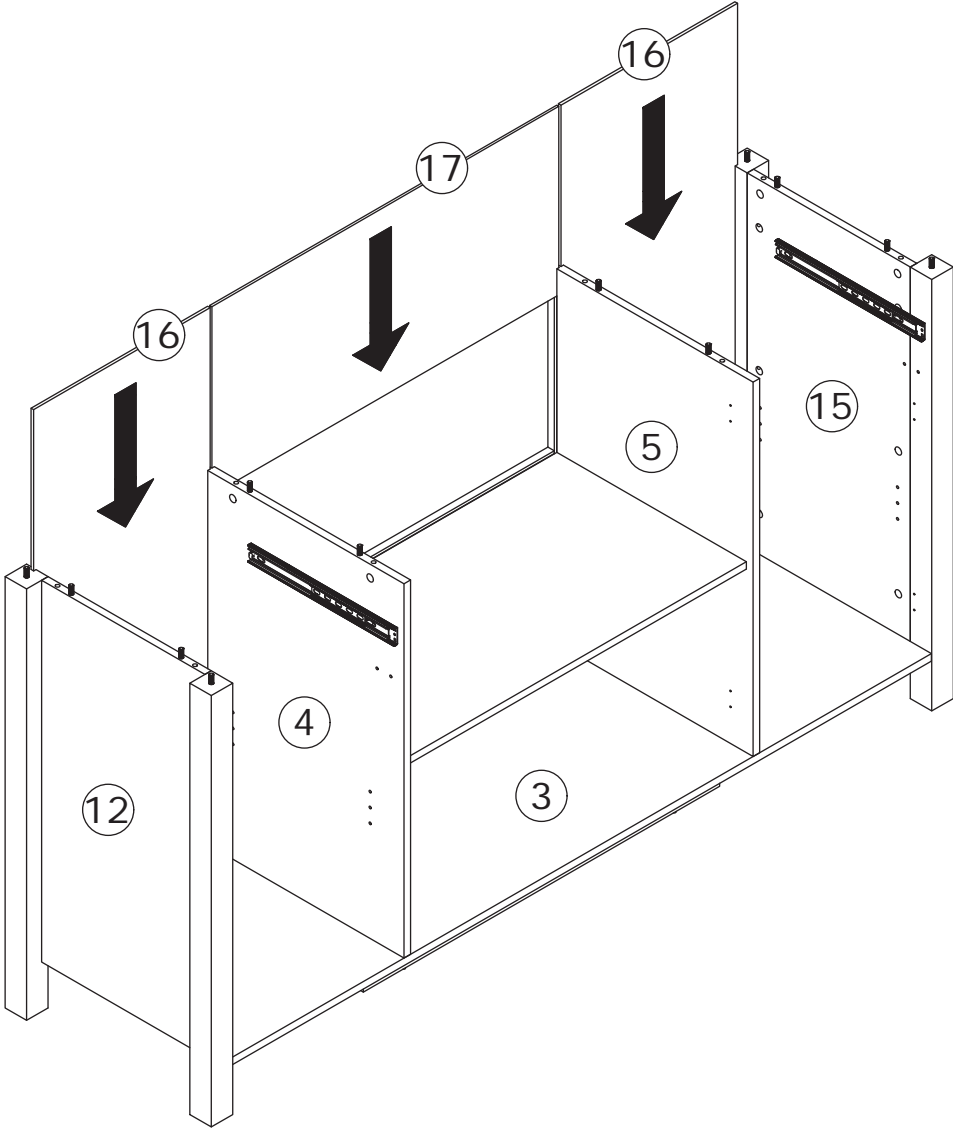
Ø 15 x 12 mm



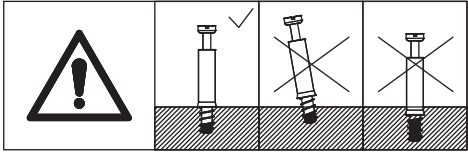
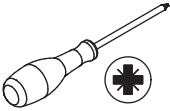
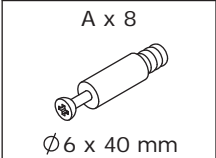
Connect plates 3, 8, and 9 to the two assembled components, tighten by turning cam lock (B) clockwise, as shown.

24

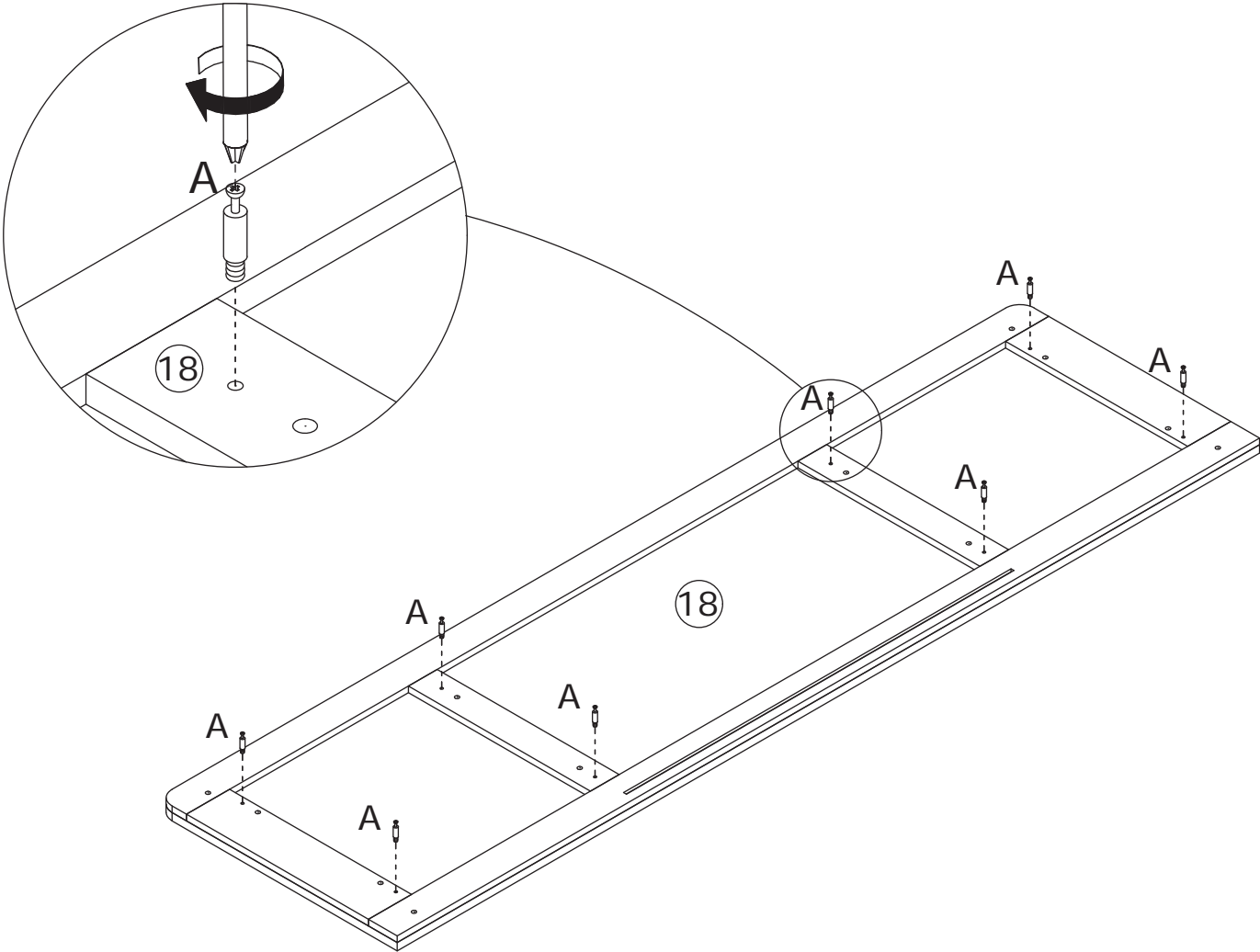
Insert plates 16 and 17 along the available slots.



25



Screw eccentric rod (A) onto plate 18.

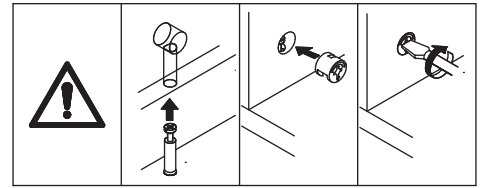
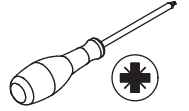


26

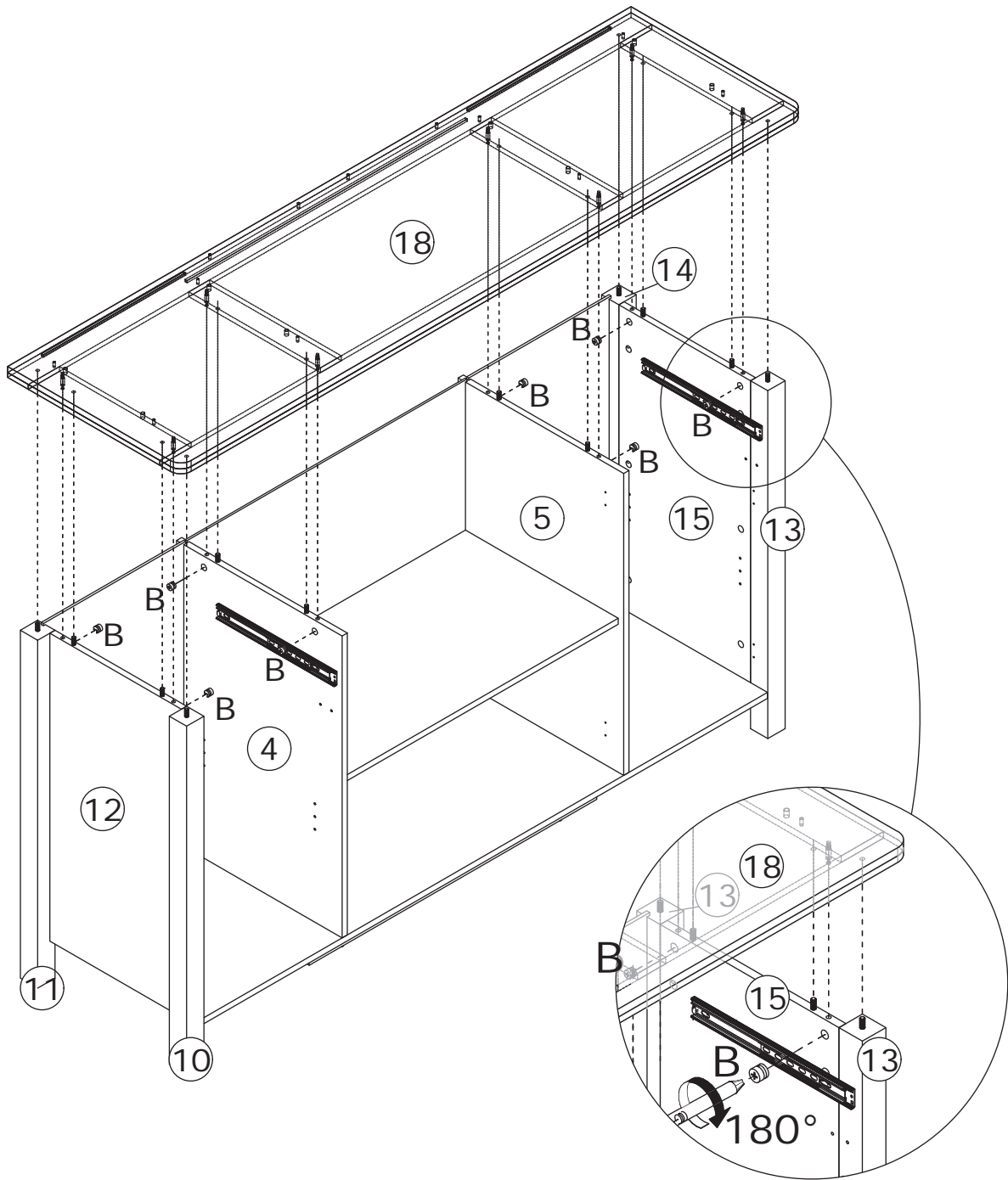
B x 8



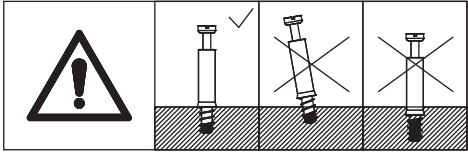
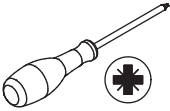
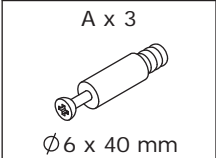
Ø 15 x 12 mm



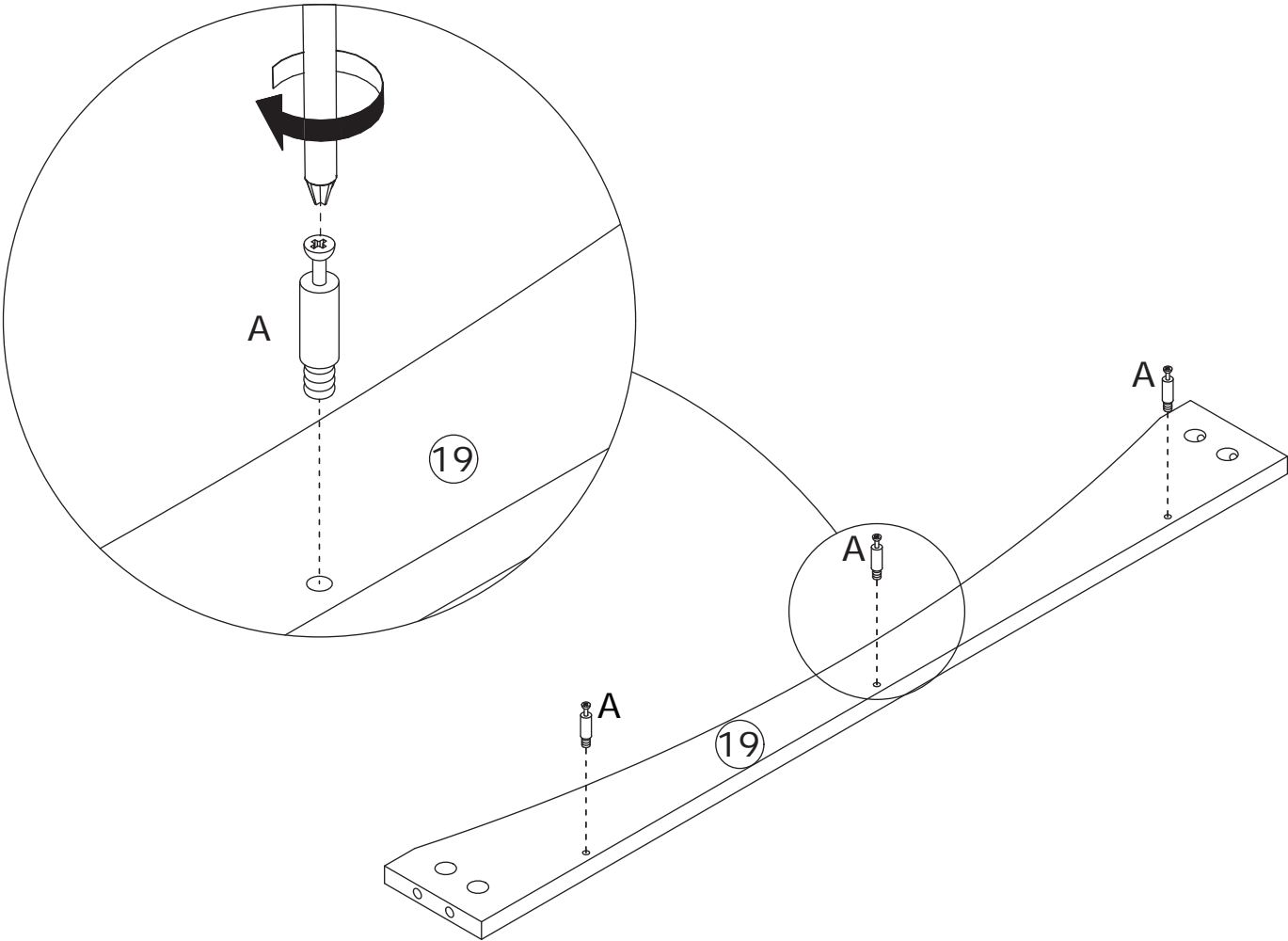
Connect plate 18 to the assembly unit, tighten by turning cam lock (B) clockwise, as shown.



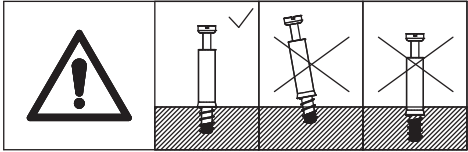
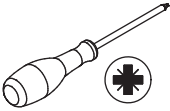
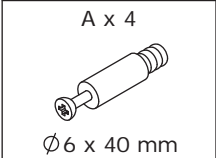
27



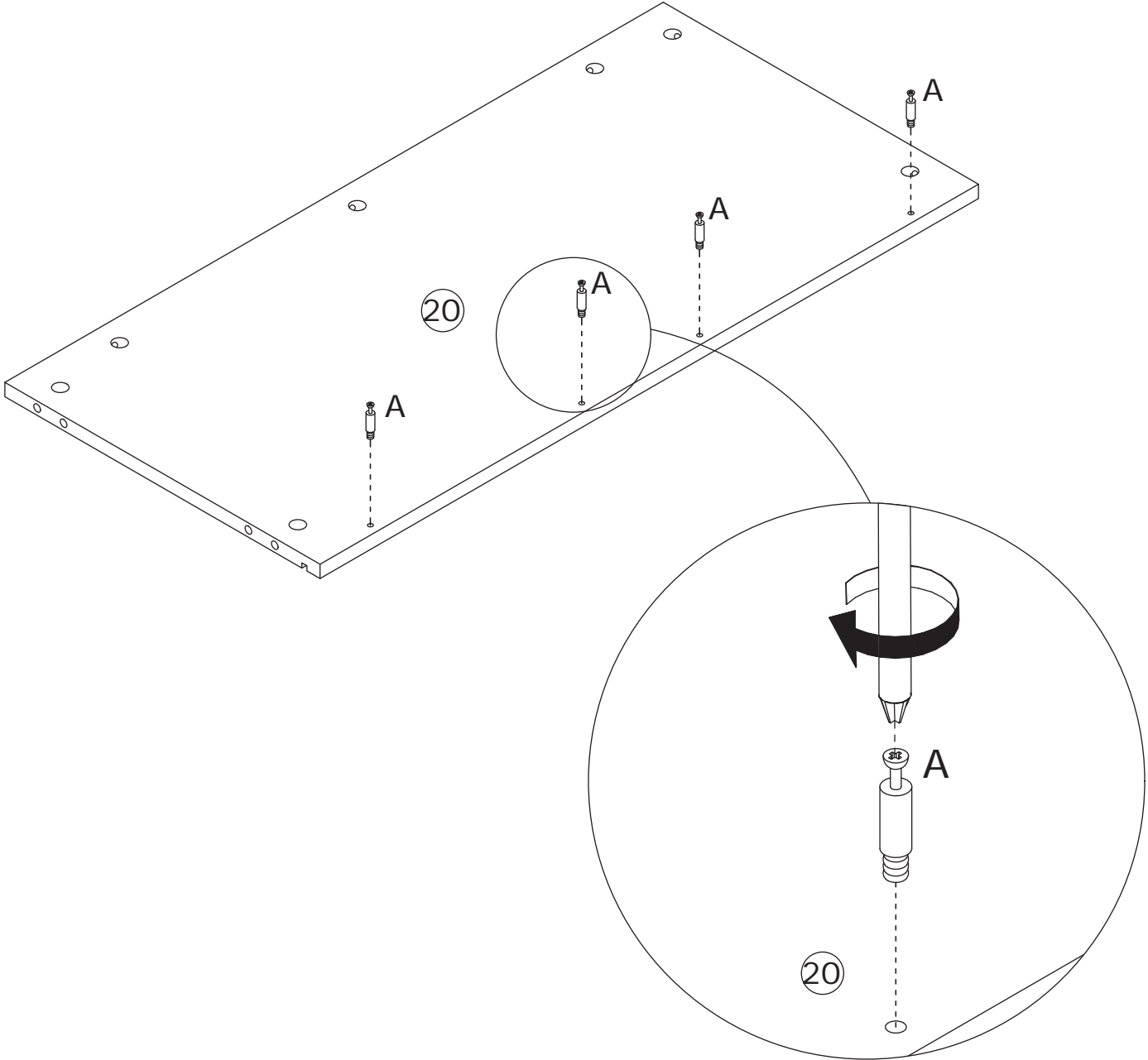
Screw eccentric rod (A) onto plate 19.



28



Screw eccentric rod (A) onto plate 20.



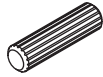
# 29

B x 3

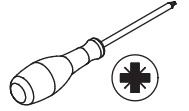


Ø 15 x 12 mm

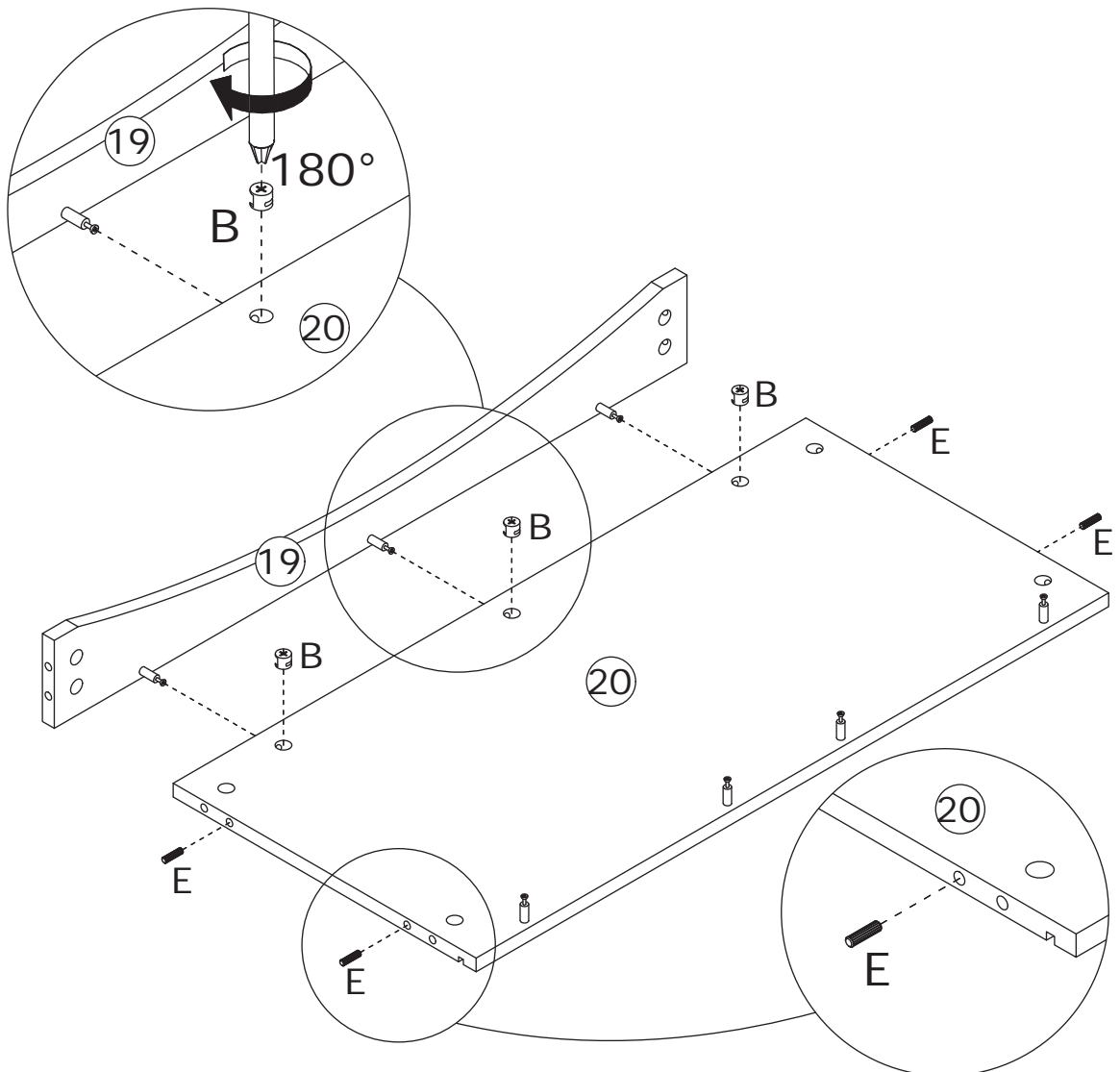
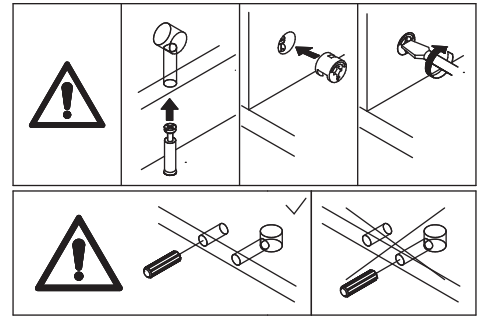
E x 4



Ø 8 x 30 mm

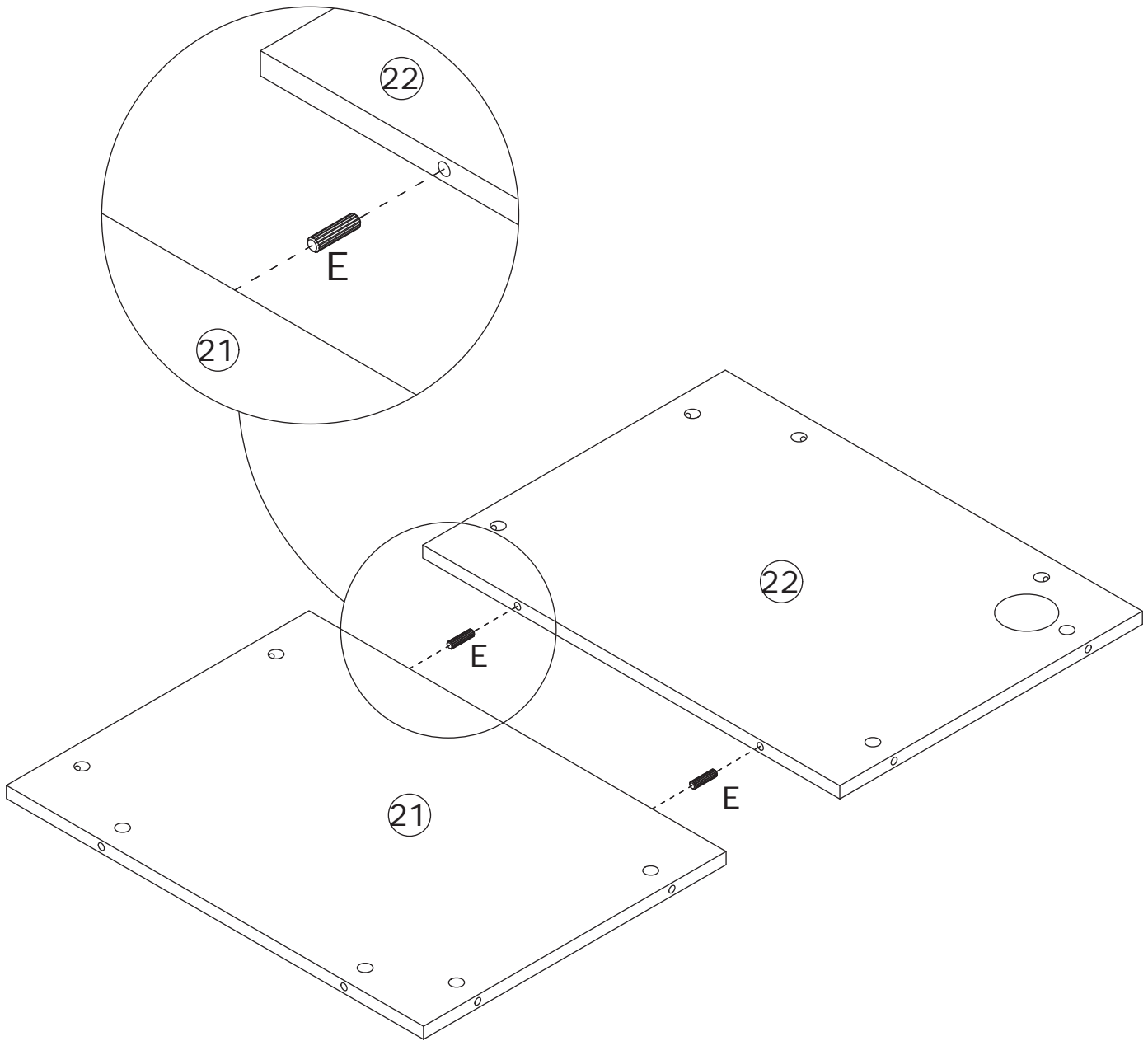
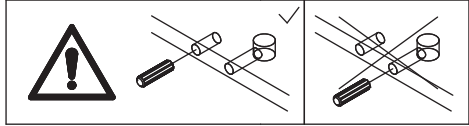
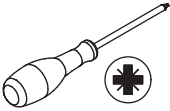


Connect plate 20 to plate 19, tighten by turning cam lock (B) clockwise, as shown. Insert wooden dowel (E) into plate 20.



30

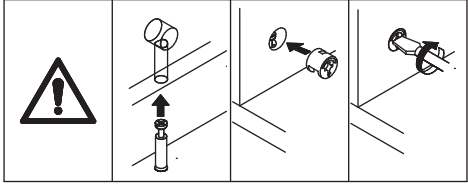
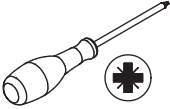
E x 2  
Ø8 x 30 mm



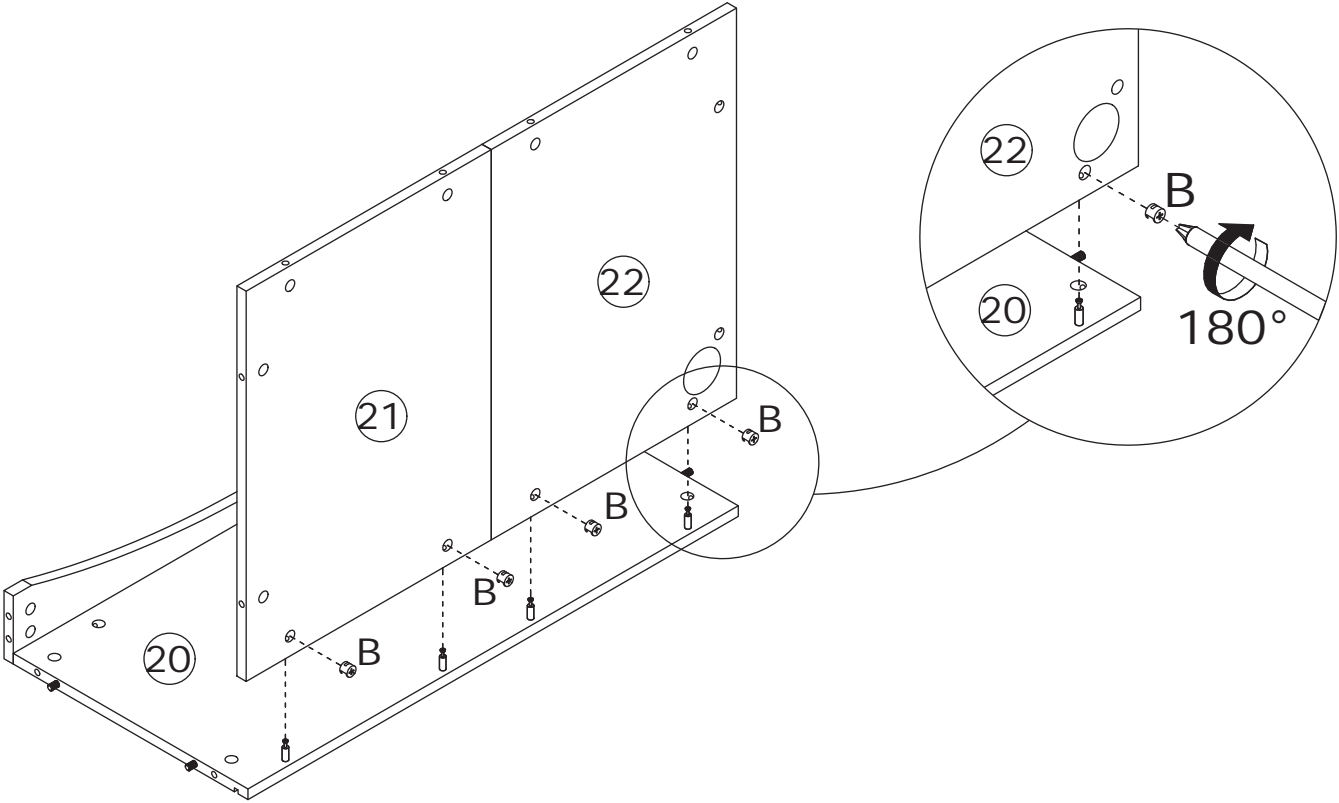
Connect plates 21 and 22 together using wooden dowel (E).

31

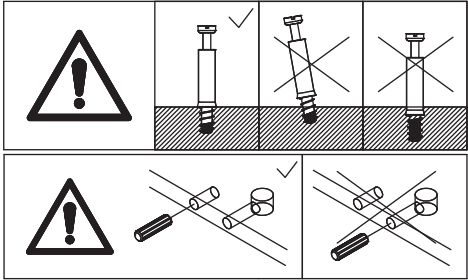
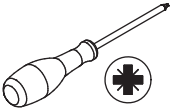
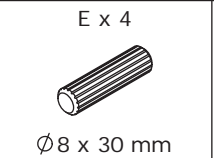
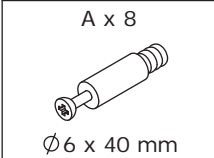
B x 4  
Ø 15 x 12 mm



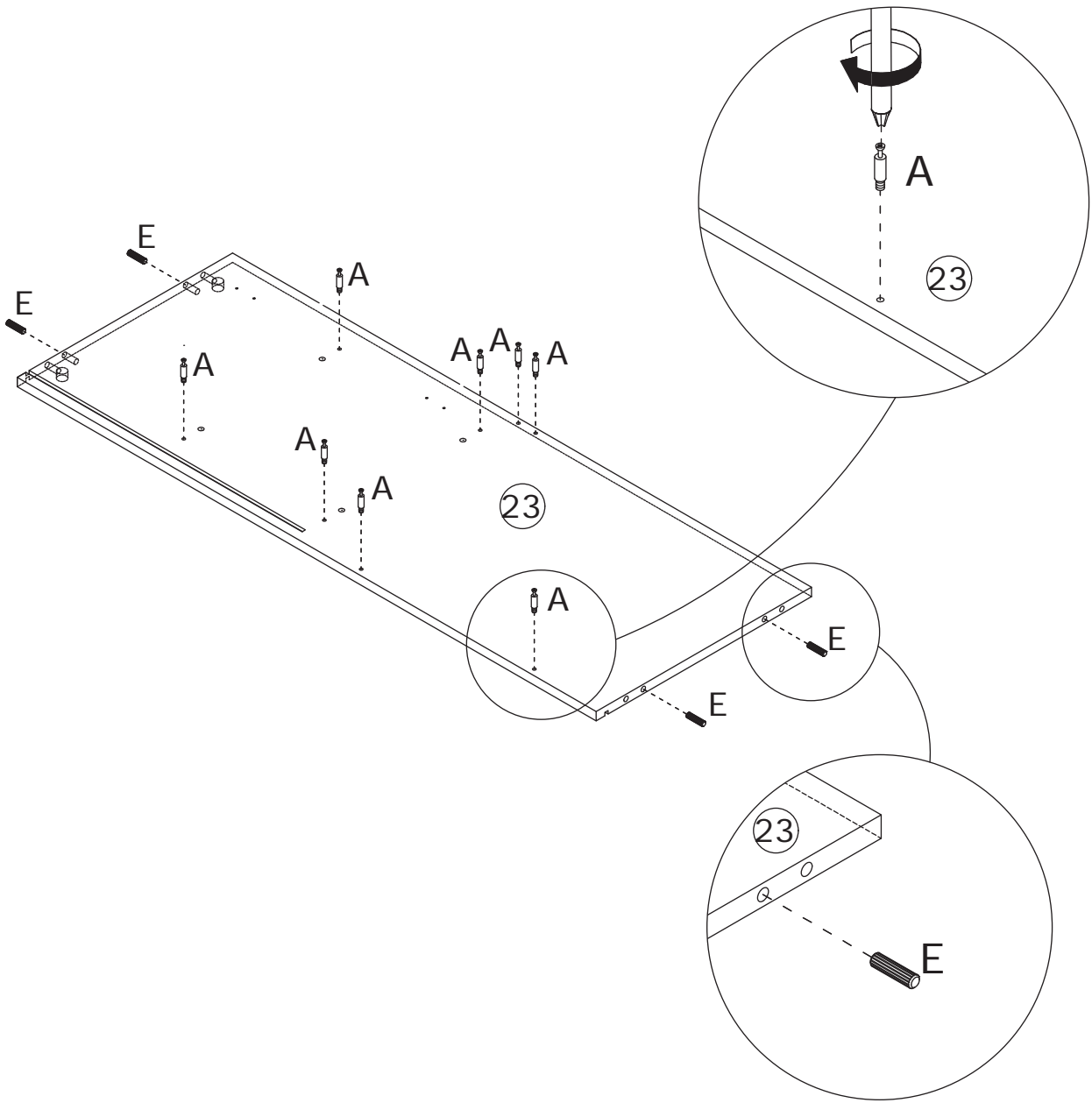
Connect plates 21 and 22 to plate 20, tighten by turning cam lock (B) clockwise, as shown.



32

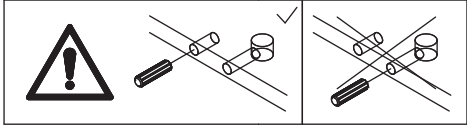


Screw eccentric rod (A) and insert wooden dowel (E) to plate 23.

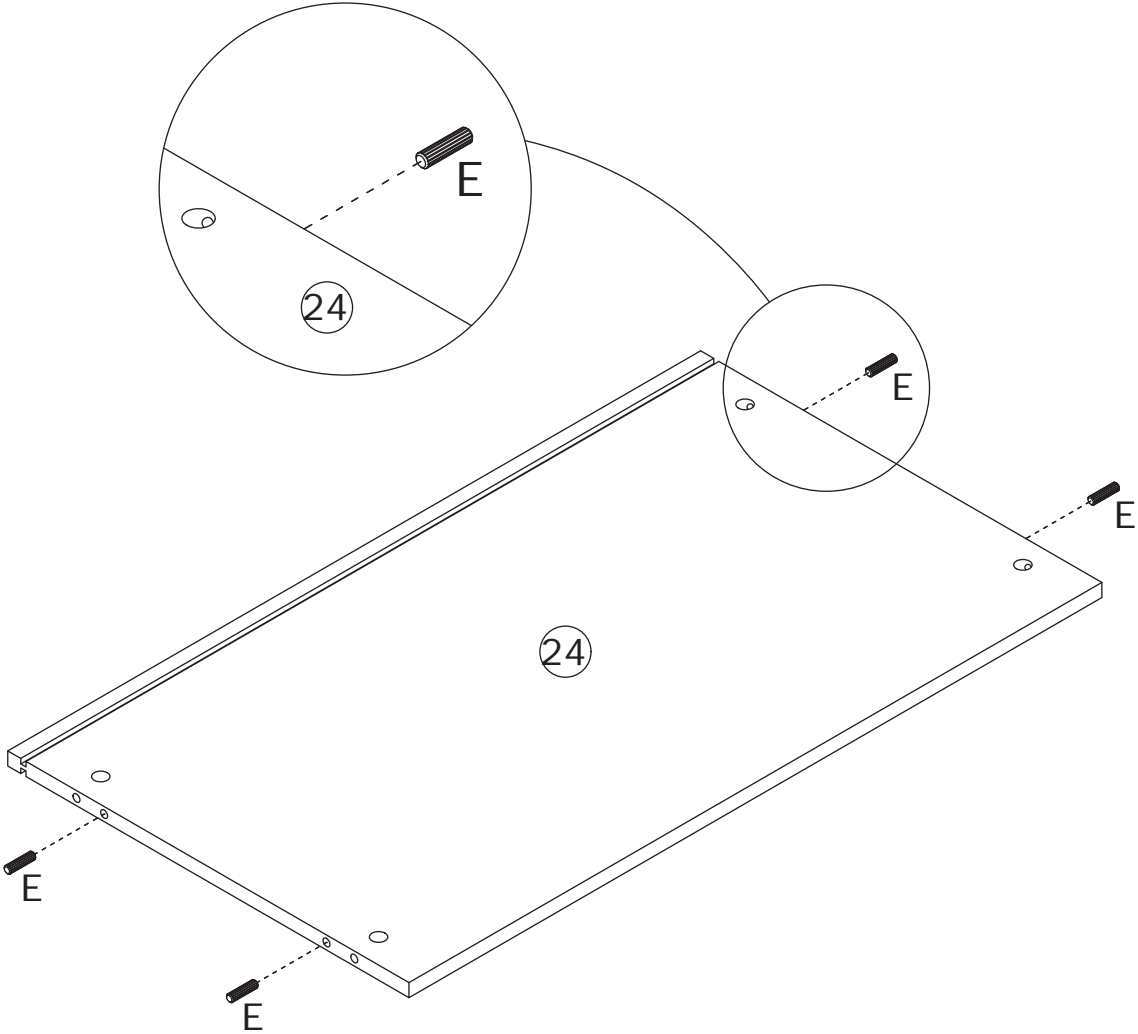


33

E x 4  
Ø8 x 30 mm



Insert wooden dowel (E) into plate 24.

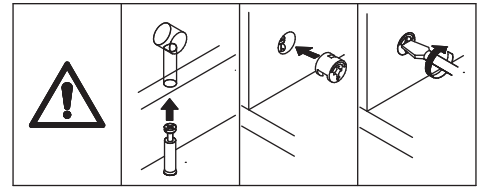
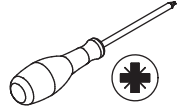


34

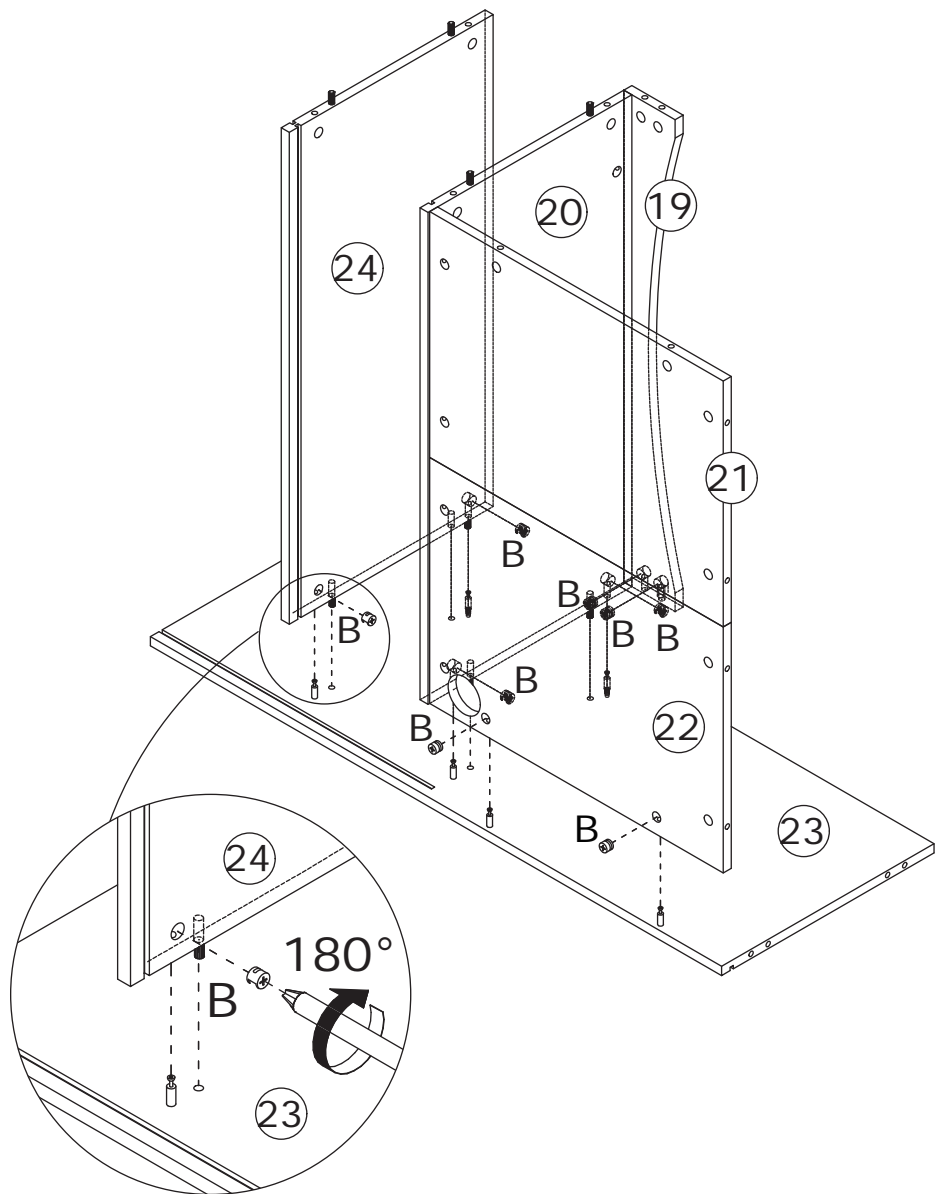
B x 8



Ø 15 x 12 mm

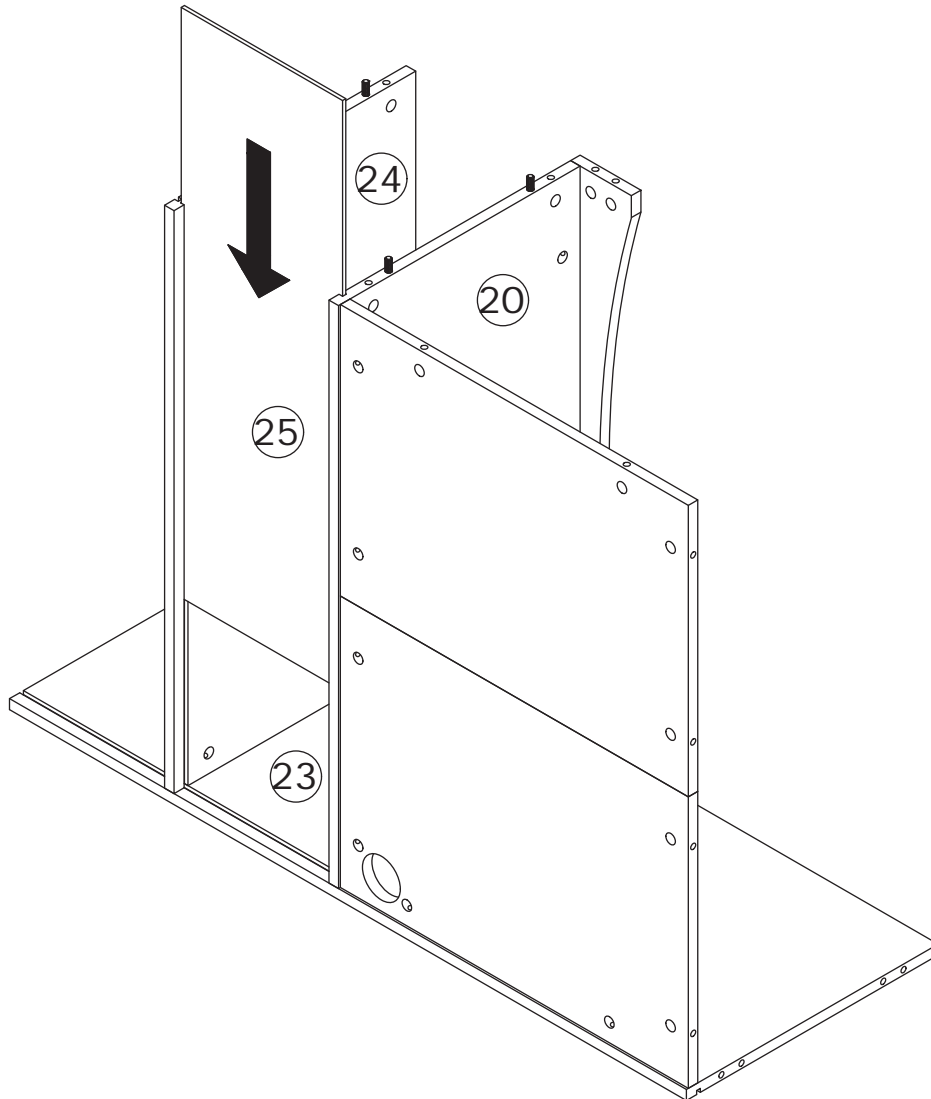


Connect plates 19, 20, 22, and 24 to plate 23, tighten by turning cam lock (B) clockwise, as shown.

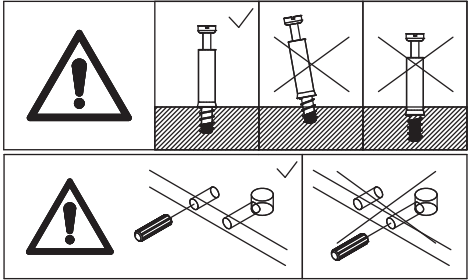
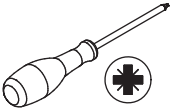
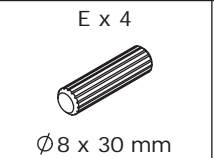
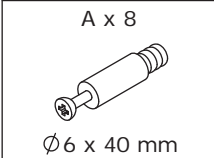


35

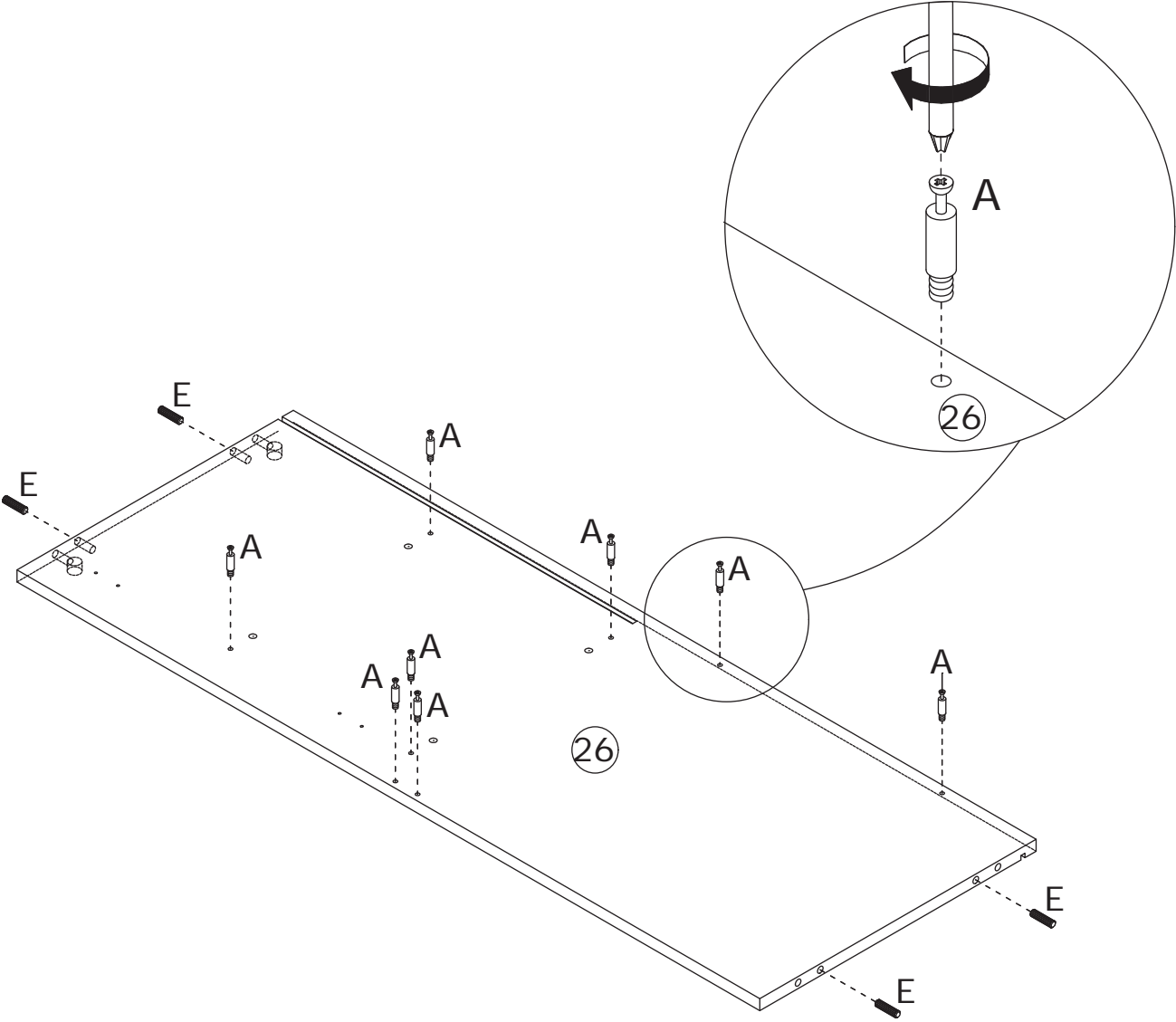
Insert plate 25 along the available slots.



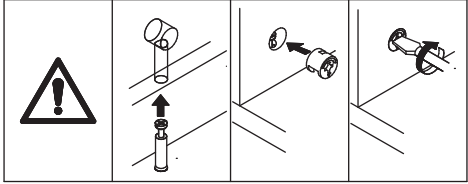
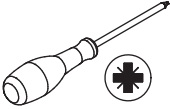
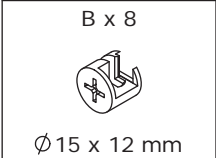
36



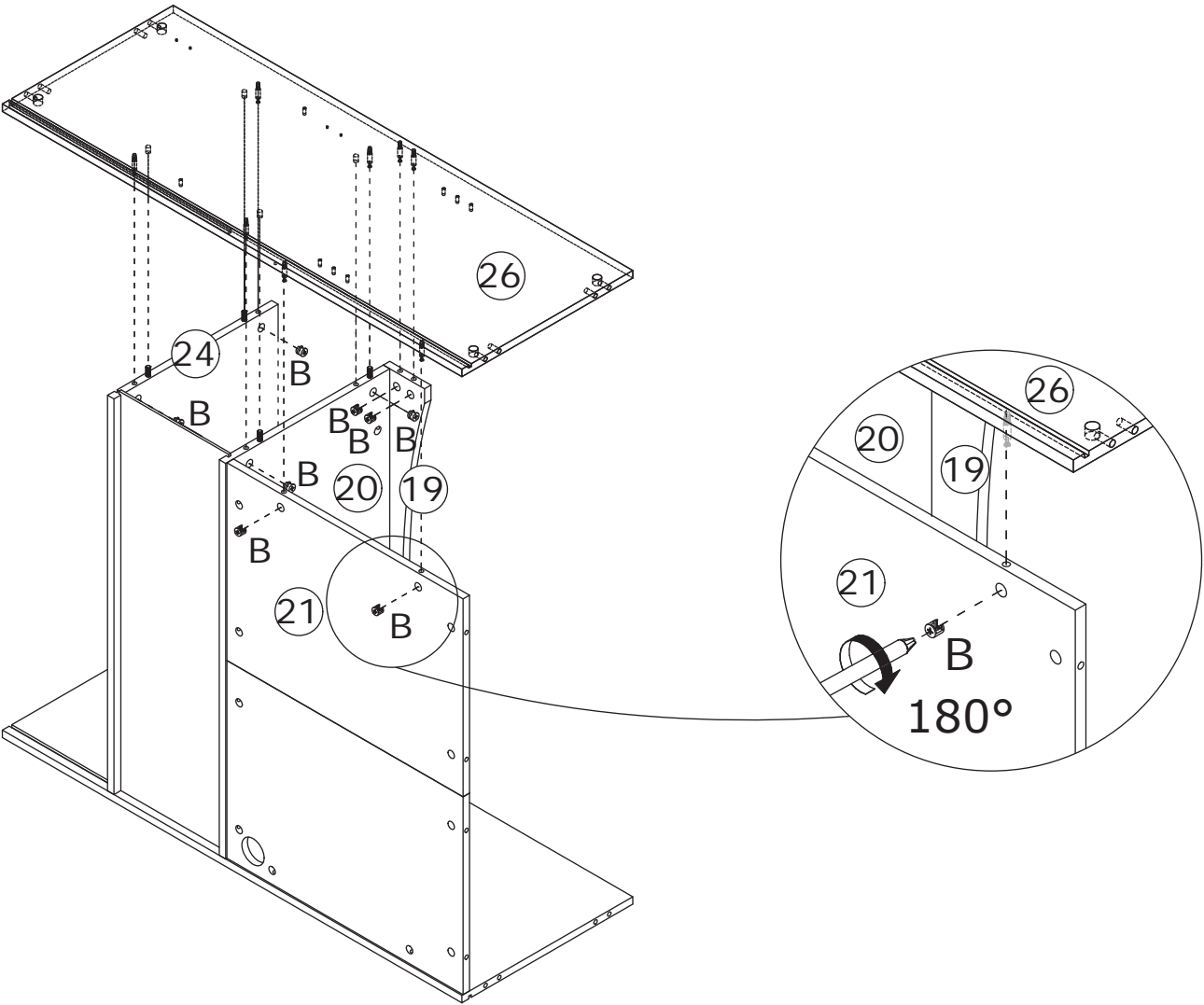
Screw eccentric rod (A) and insert wooden dowel (E) to plate 26.



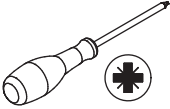
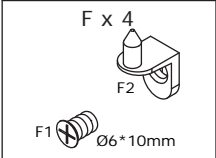
37



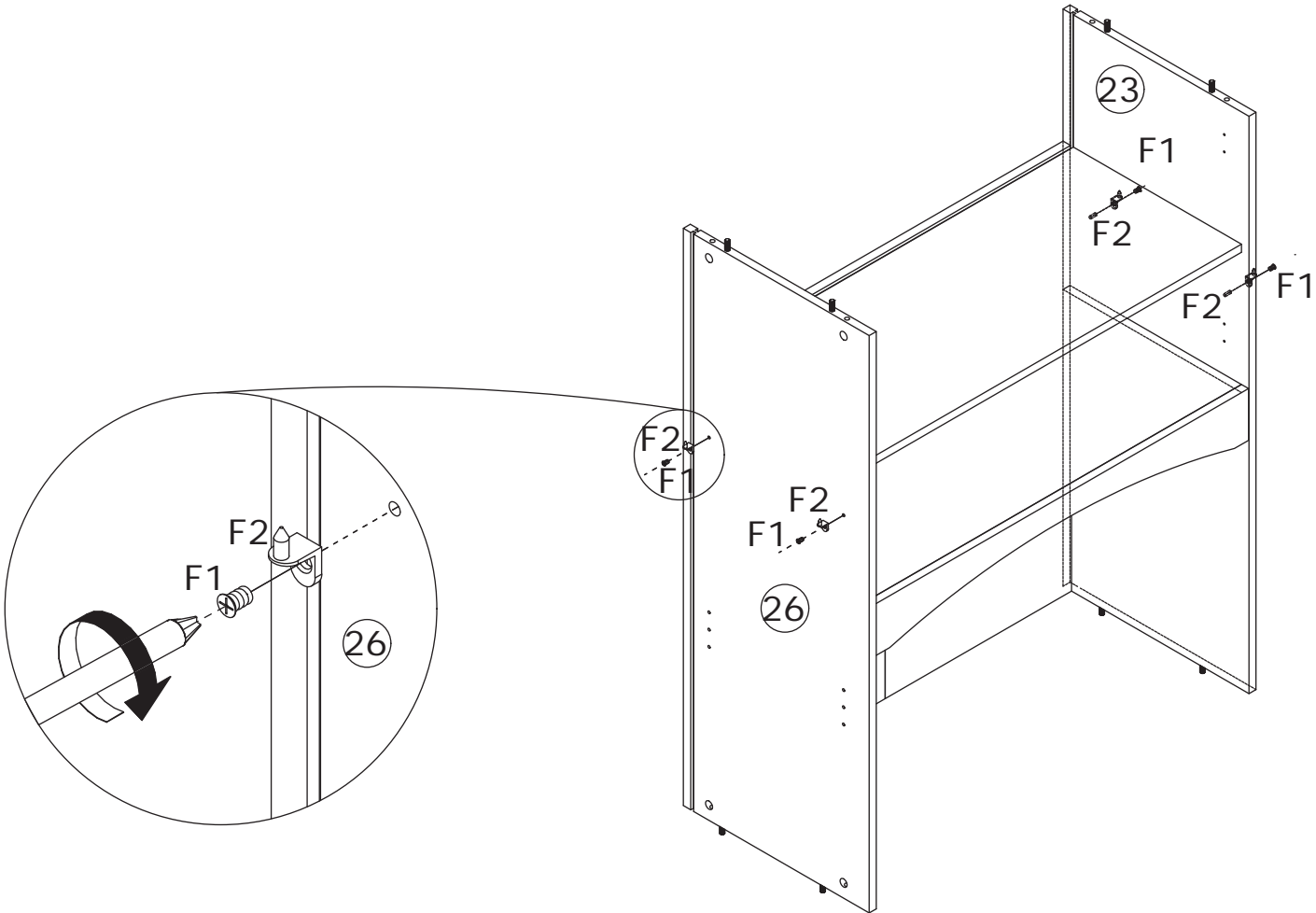
Connect plates 19, 20, 21, and 24 to plate 26, tighten by turning cam lock (B) clockwise, as shown.



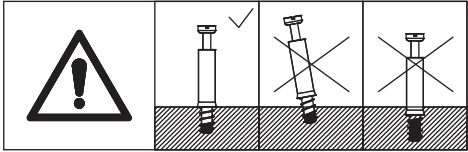
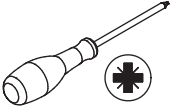
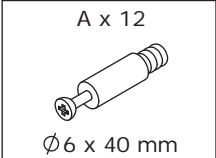
38



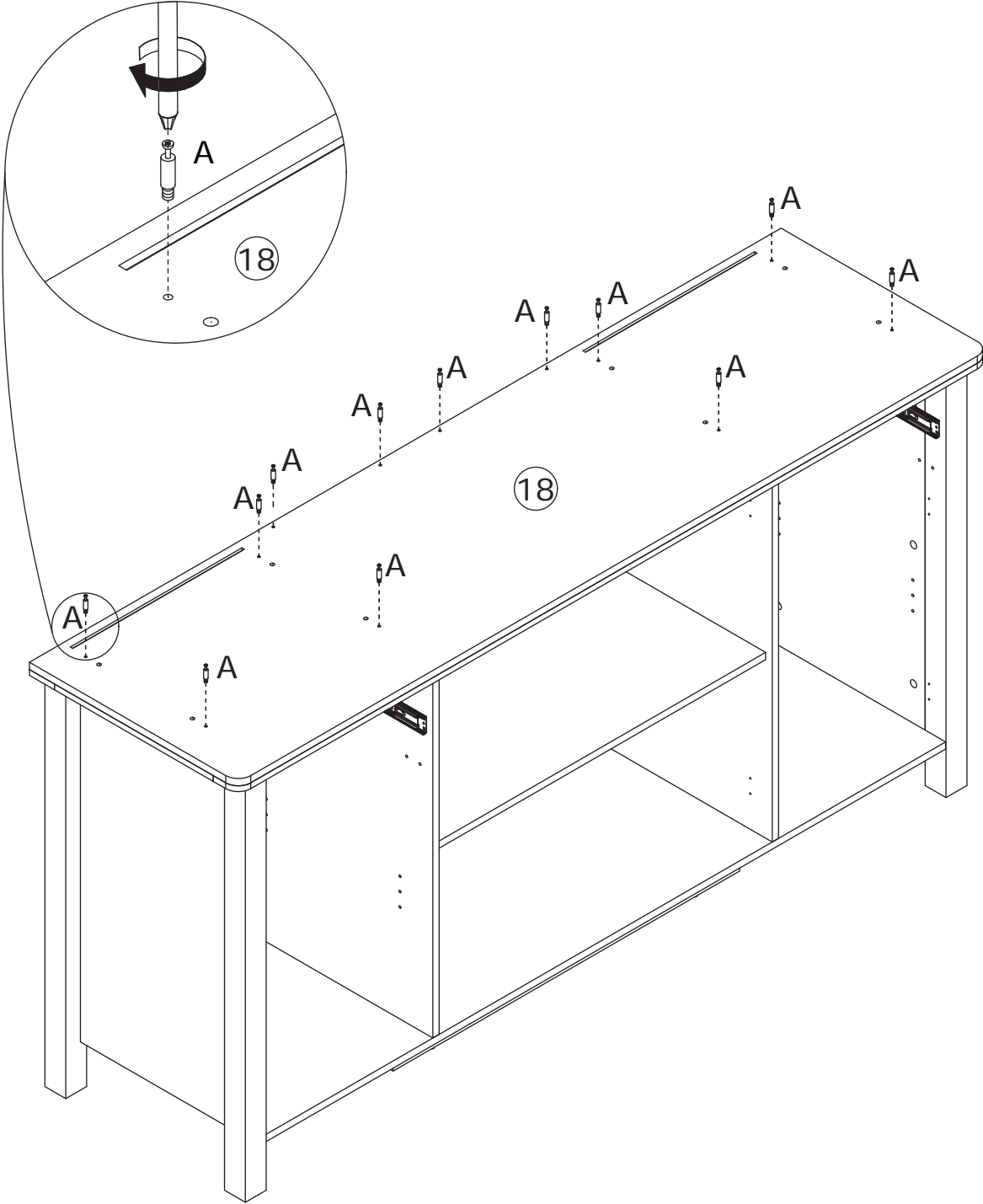
Secure fitting (F2) to plates 23 and 26 using screws (F1).



39



Screw eccentric rod (A) onto plate 18.

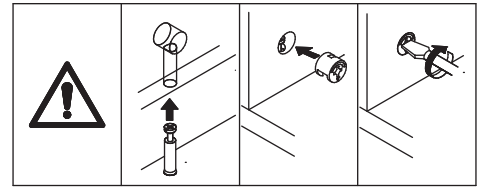
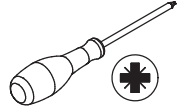


40

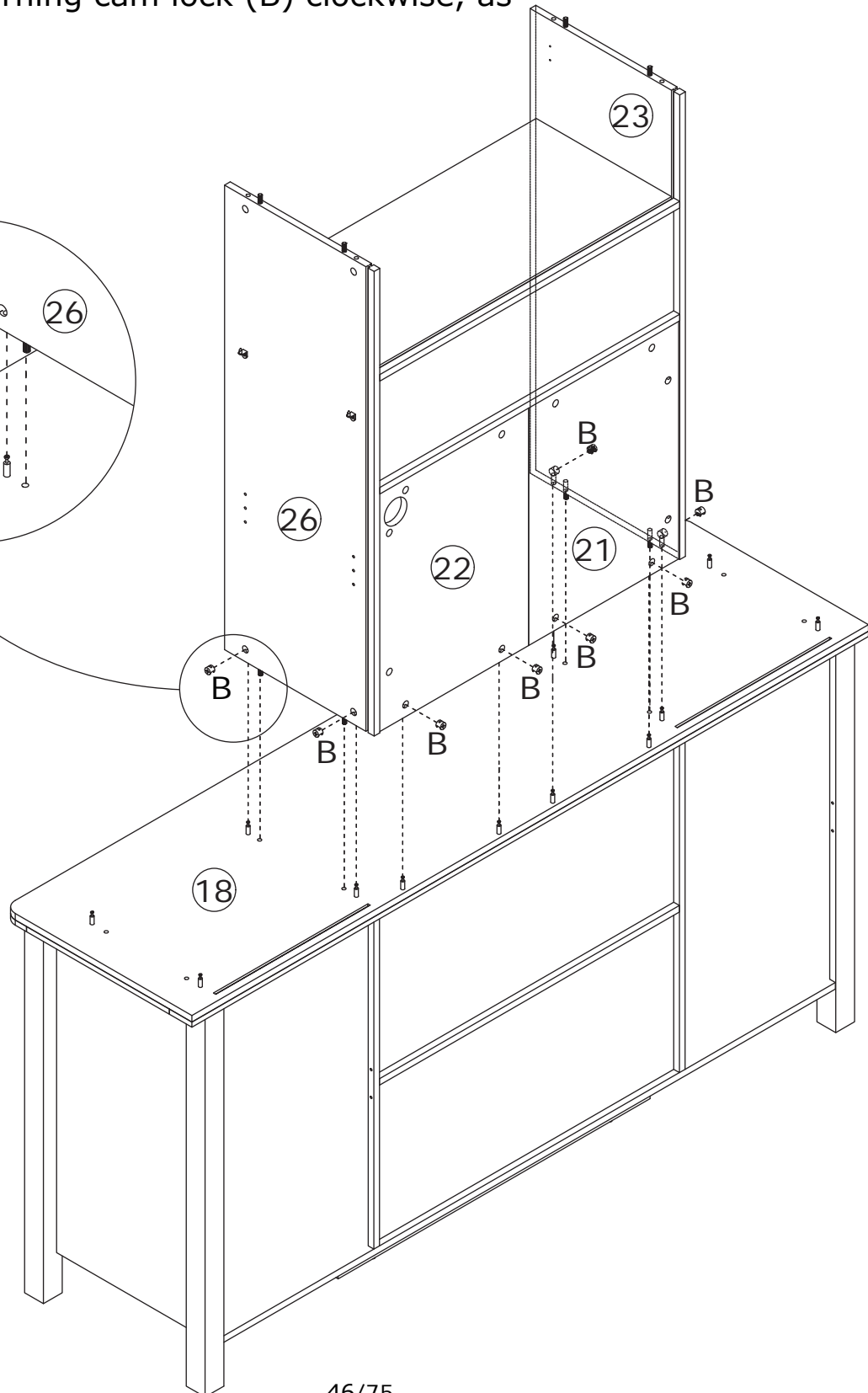
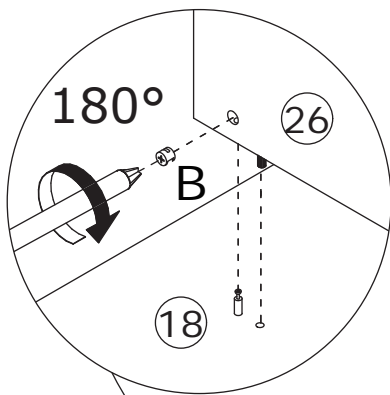
B x 8



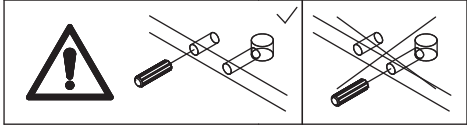
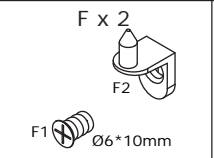
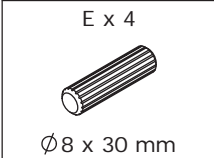
Ø 15 x 12 mm



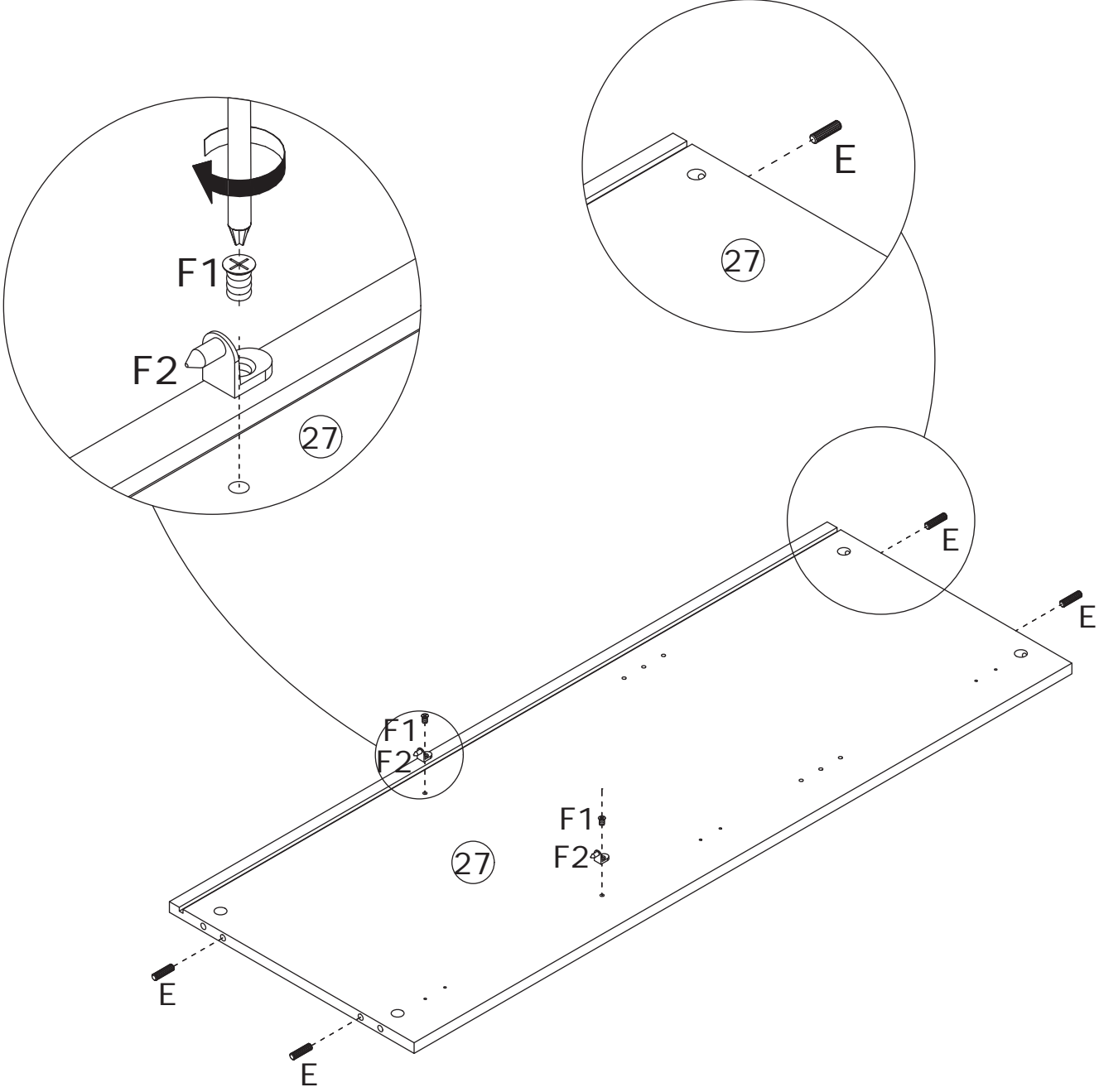
Connect plates 23, 21, 22, and 26 to plate 18, tighten by turning cam lock (B) clockwise, as shown.



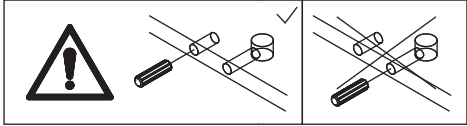
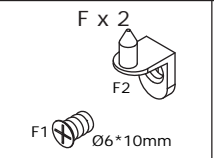
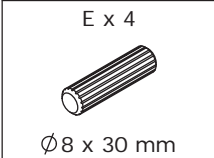
41



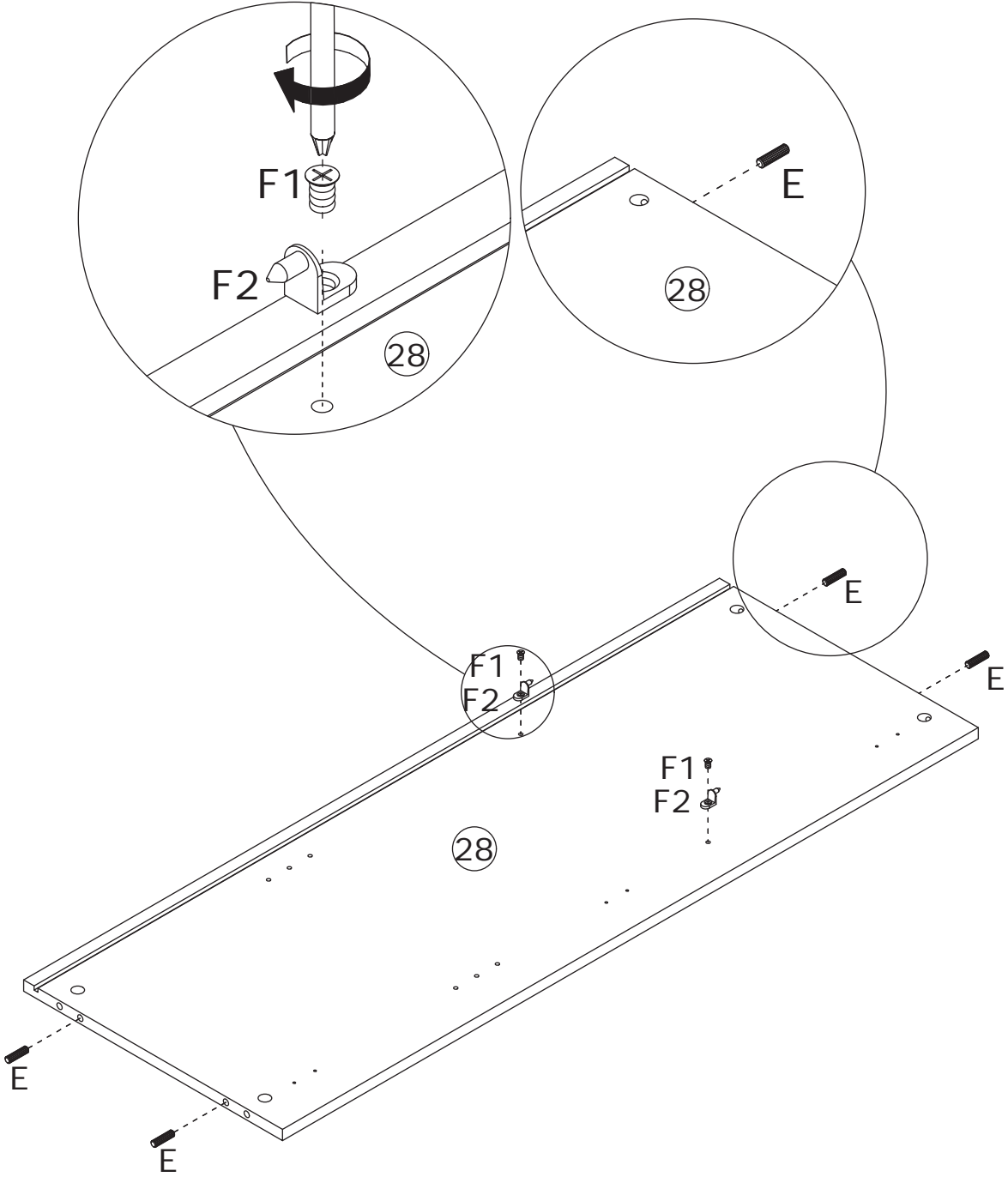
Secure fitting (F2) to plate 27 using screws (F1).  
Insert wooden dowel (E) into plate 27.



42

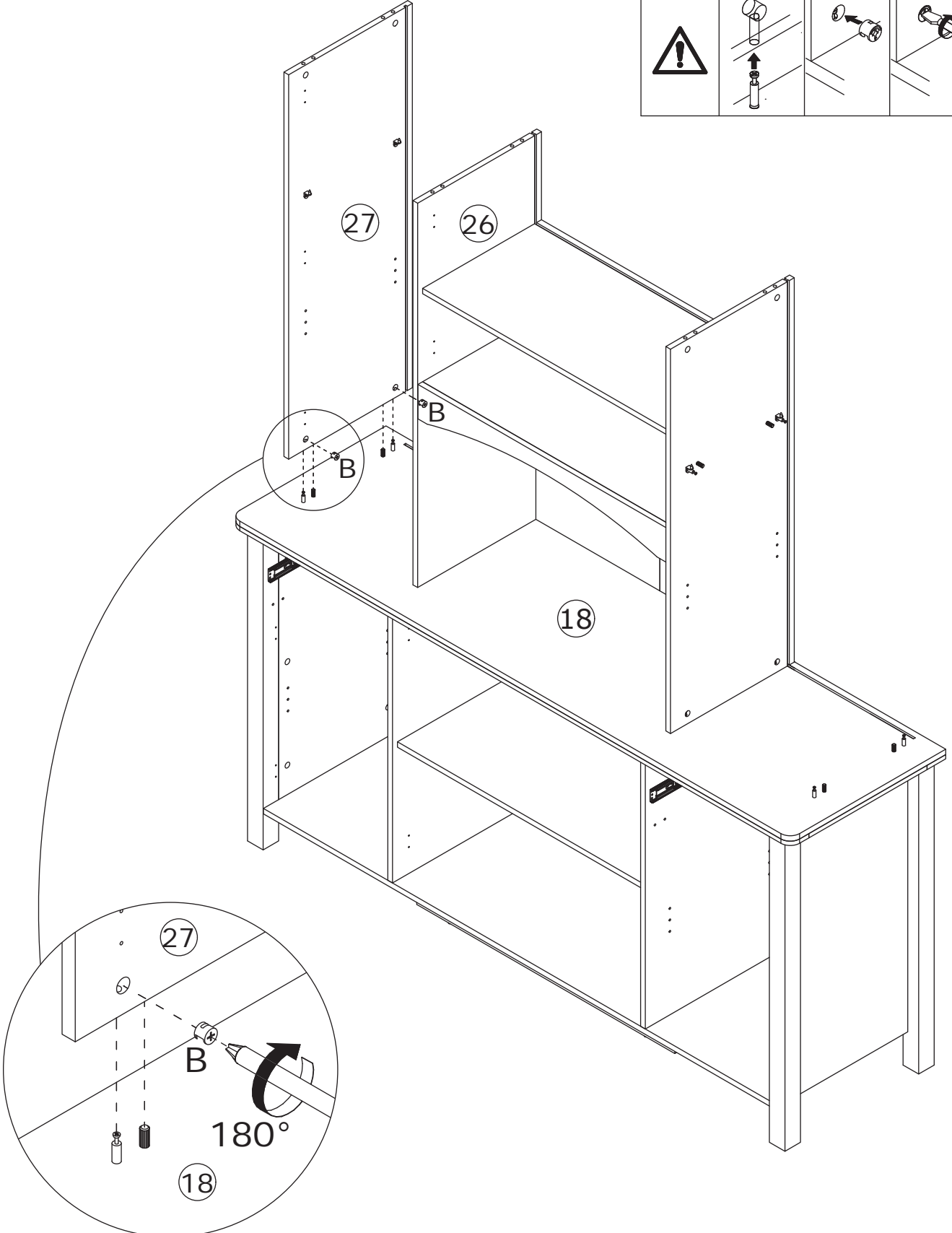
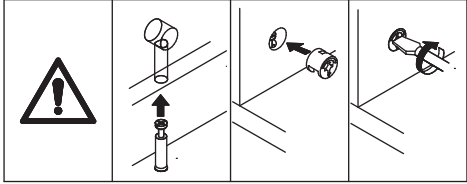
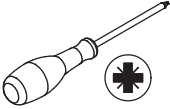


Secure fitting (F2) to plate 28 using screws (F1).  
Insert wooden dowel (E) into plate 28.



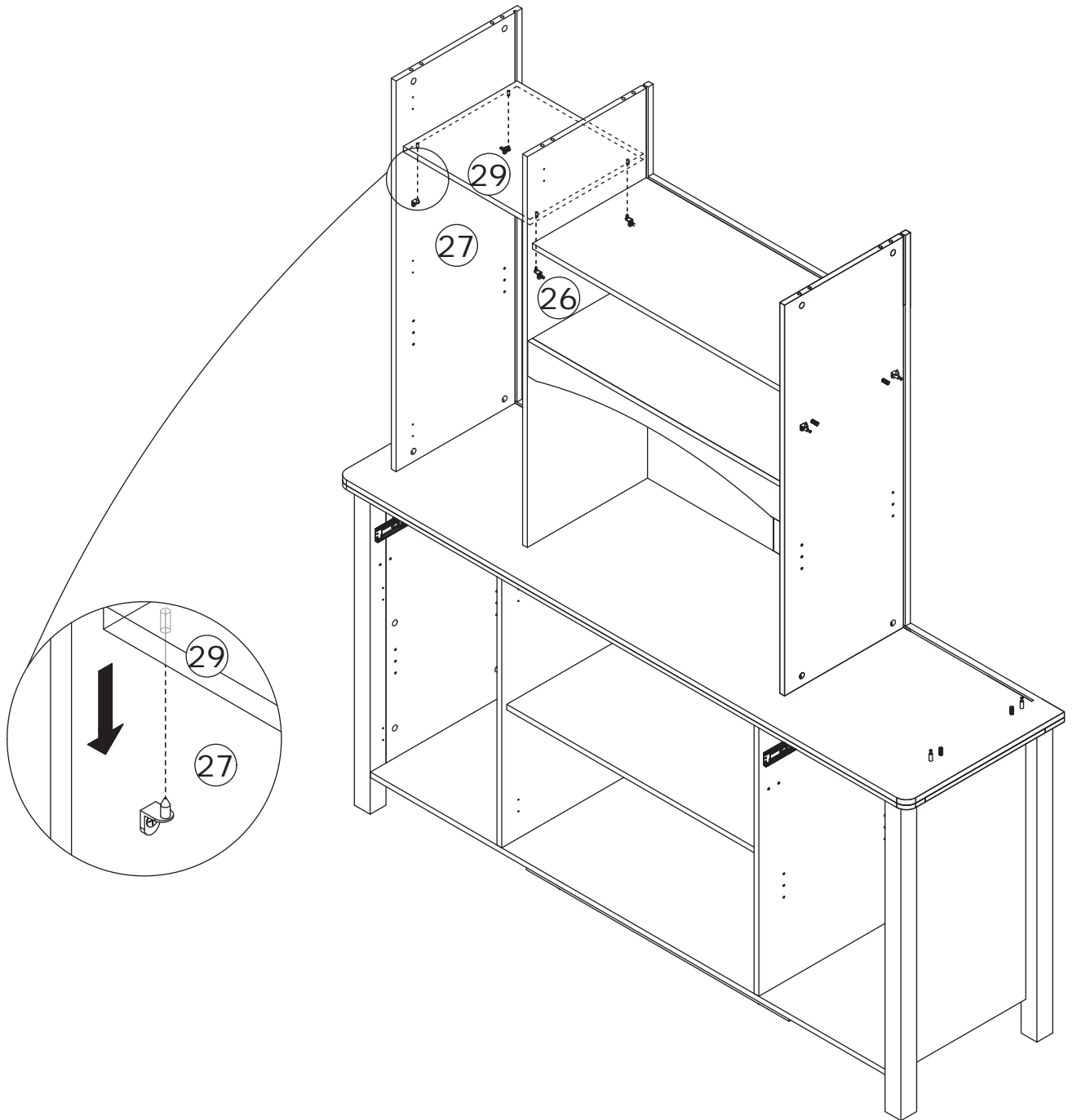
43

B x 2  
Ø 15 x 12 mm



Connect plate 27 to plate 18, tighten by turning cam lock (B) clockwise, as shown.

44



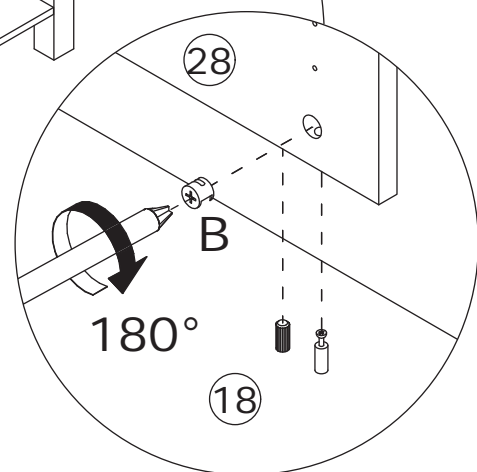
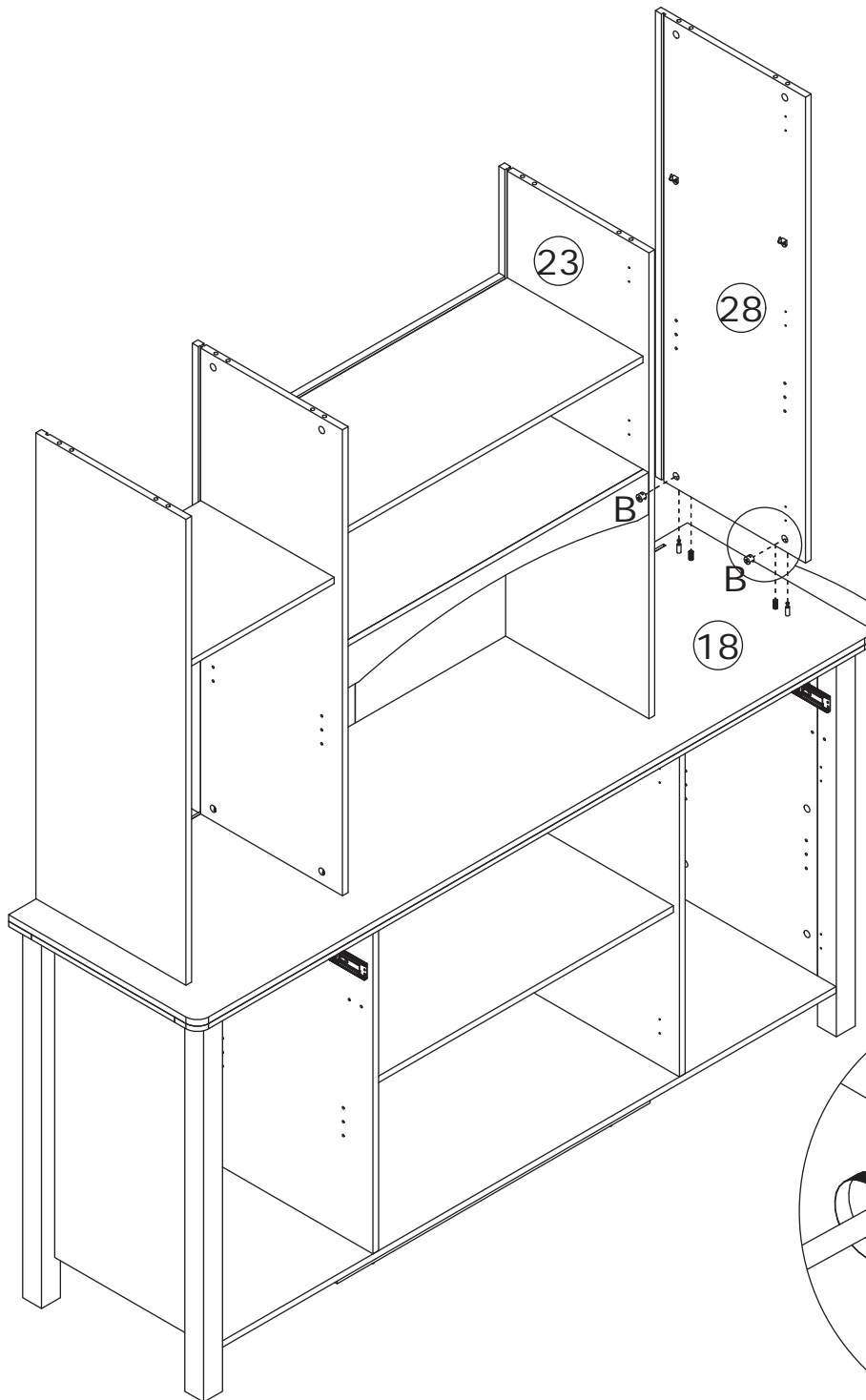
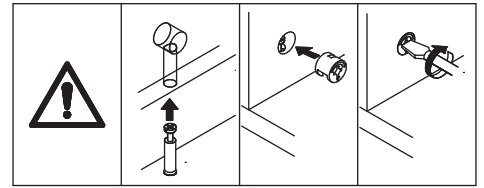
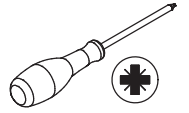
Install plate 29 into the fitting (F2) of plates 26 and 27.

45

B x 2



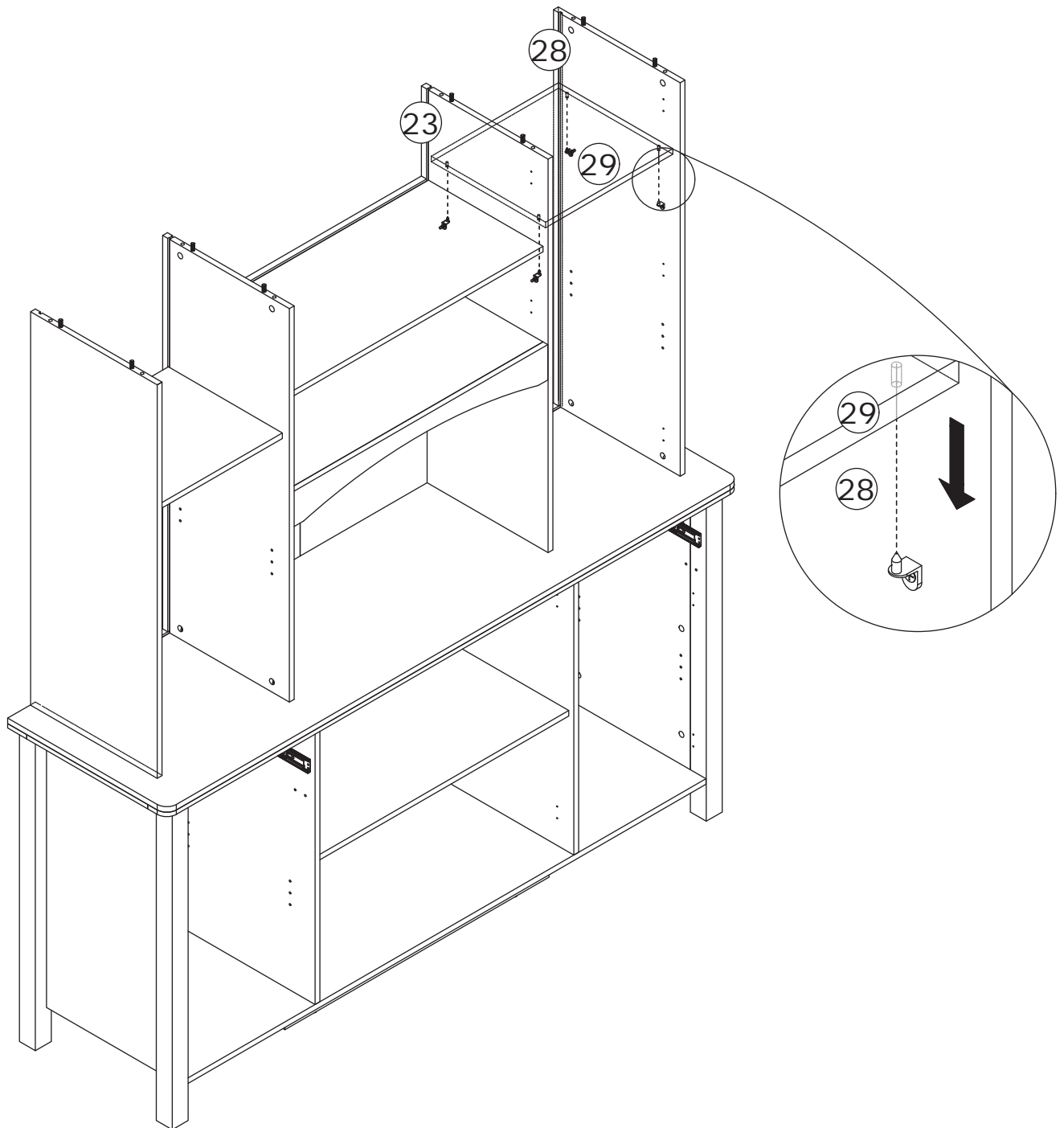
Ø 15 x 12 mm



Connect plate 28 to plate 18, tighten by turning cam lock (B) clockwise, as shown.

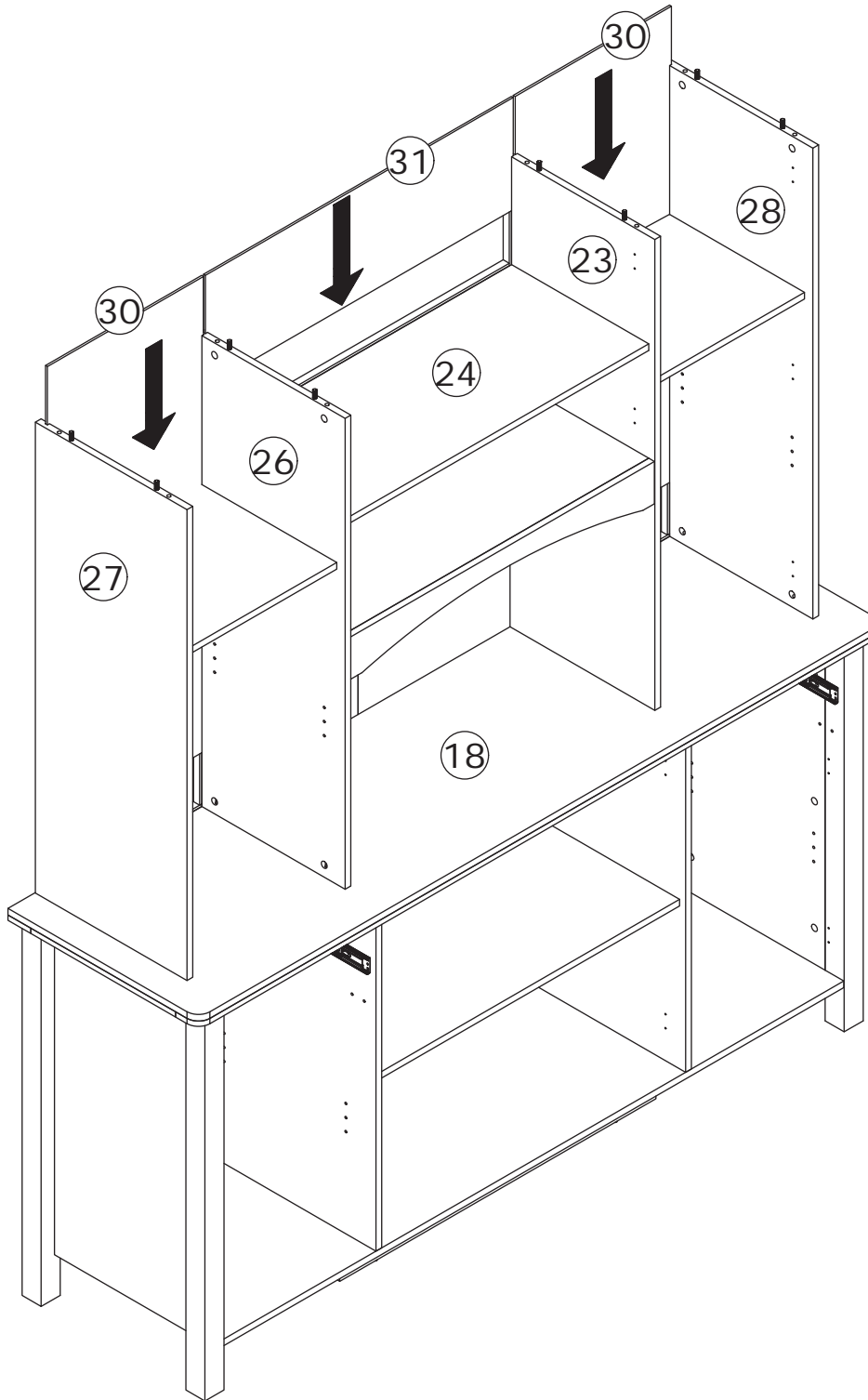
46

Install plate 29 into the fitting (F2) of plates 23 and 28.

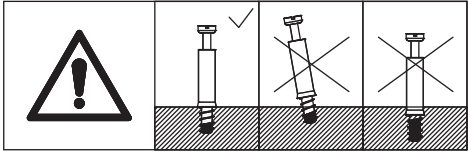
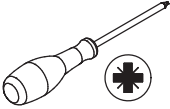
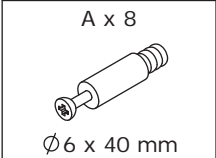


47

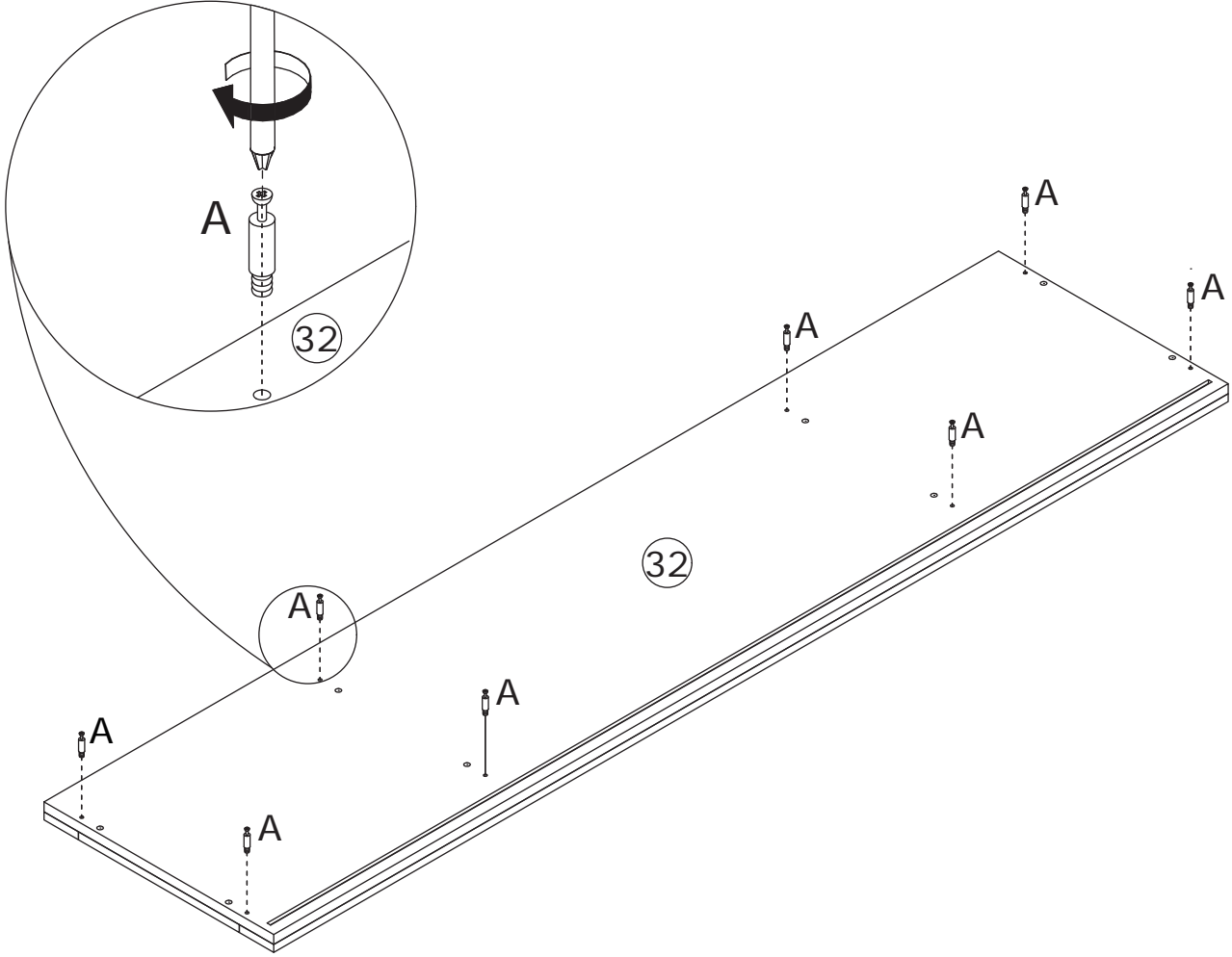
Insert plates 30 and 31 along the available slots.



48



Screw eccentric rod (A) onto plate 32.

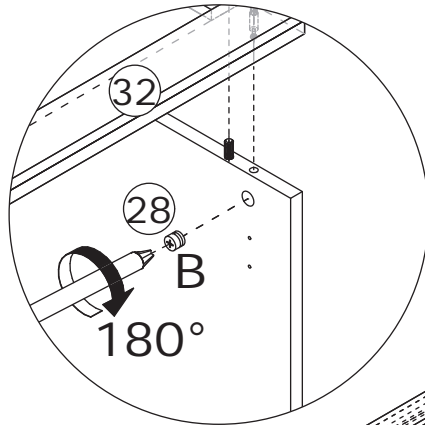
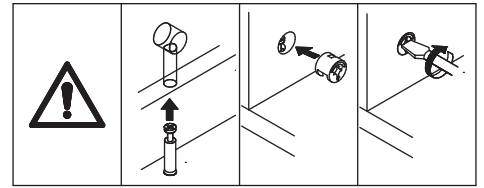
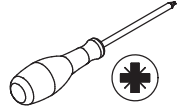


49

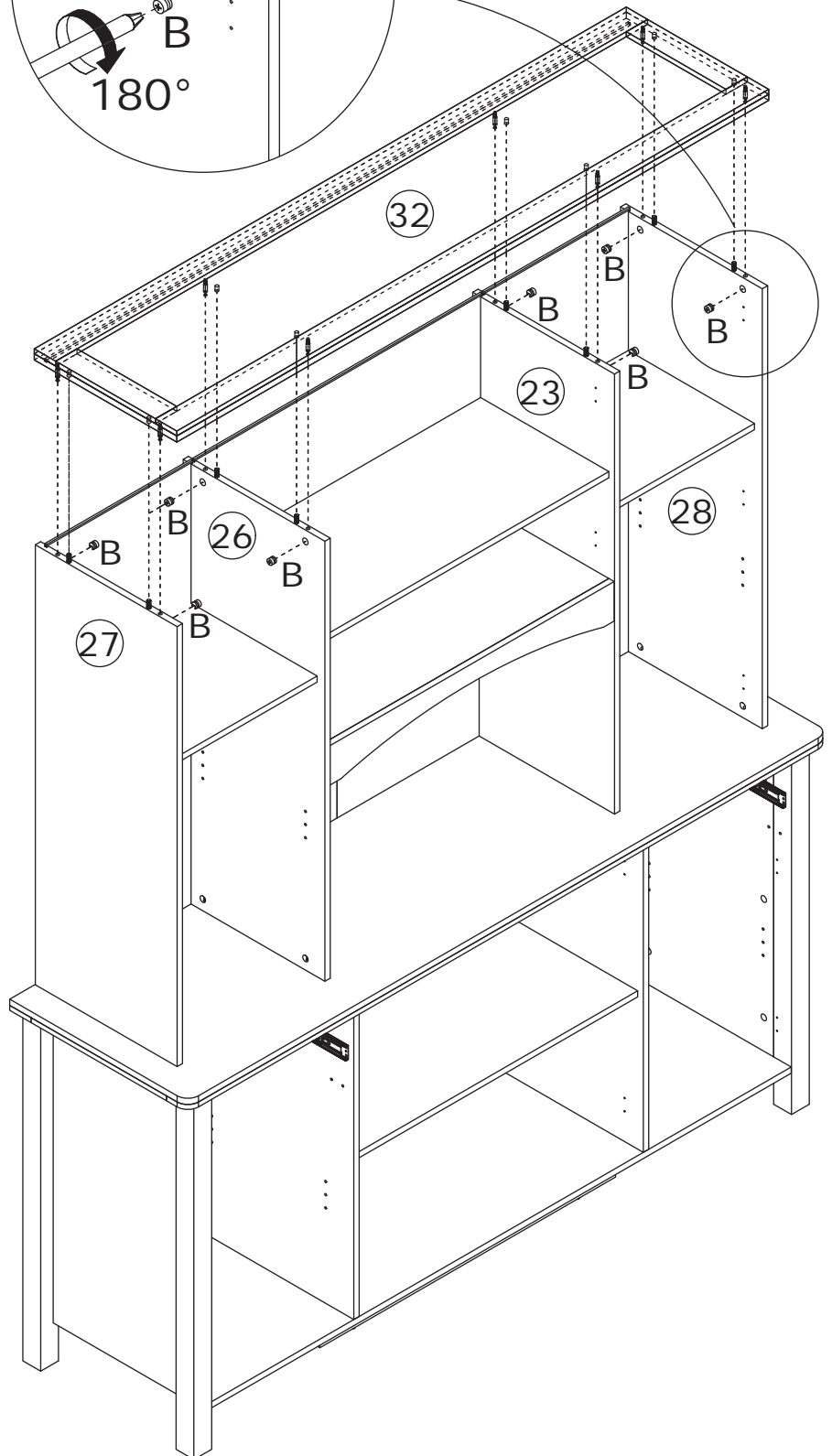
B x 8



Ø 15 x 12 mm

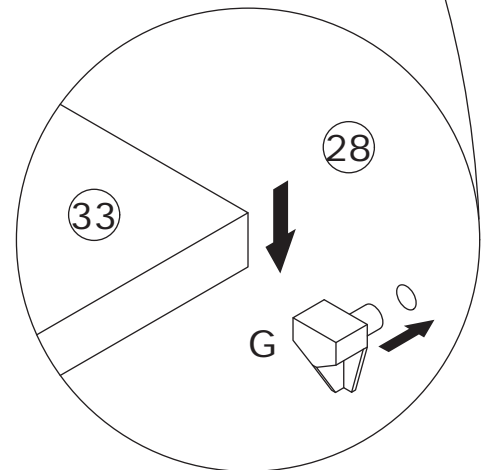
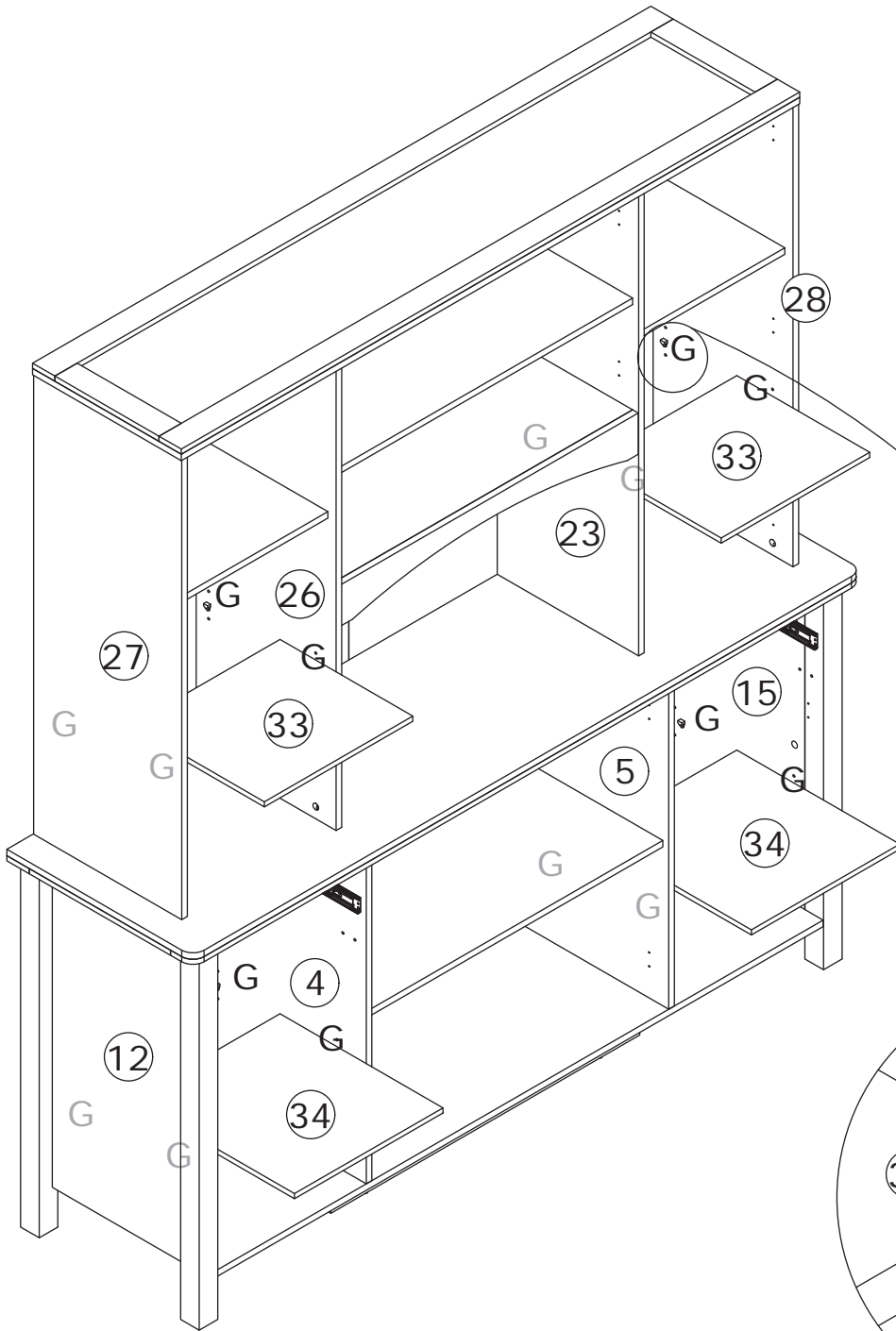


Connect plate 32 to the assembly unit, tighten by turning cam lock (B) clockwise, as shown.



50

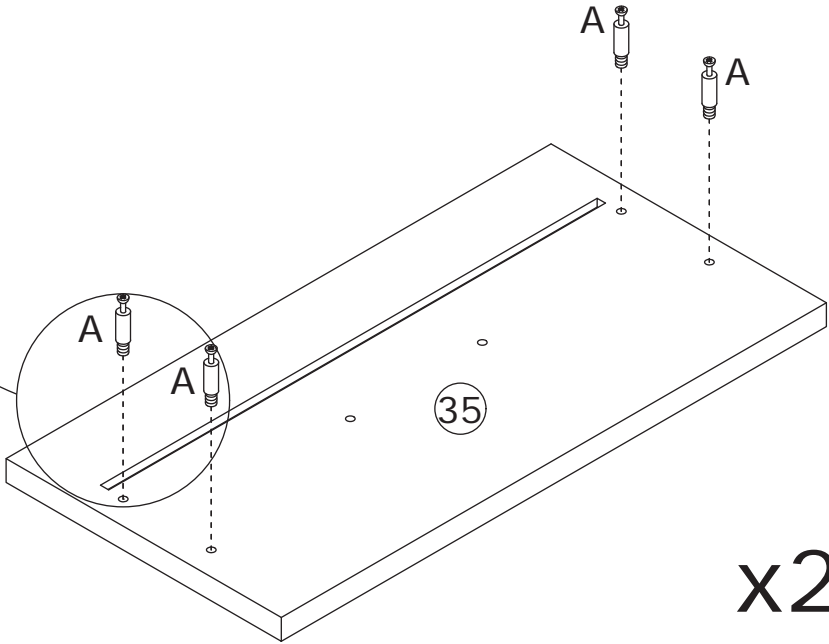
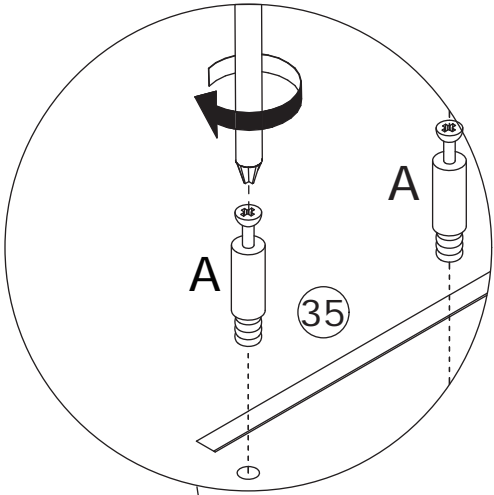
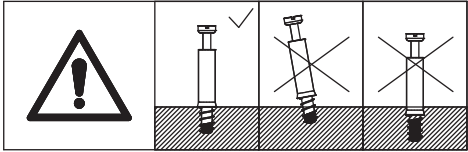
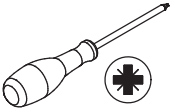
G x 16



Install pins (G) to plates 4, 5, 12, 15, 23, 26, 27, and 28.  
And place shelf plates 33 and 34 on.

51

A x 8  
Ø6 x 40 mm



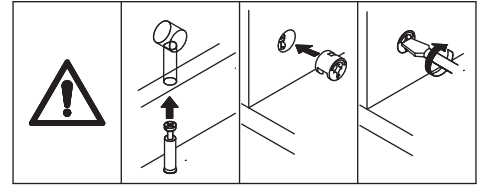
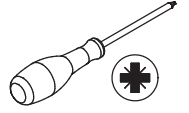
Screw eccentric rod (A) onto plate 35.

52

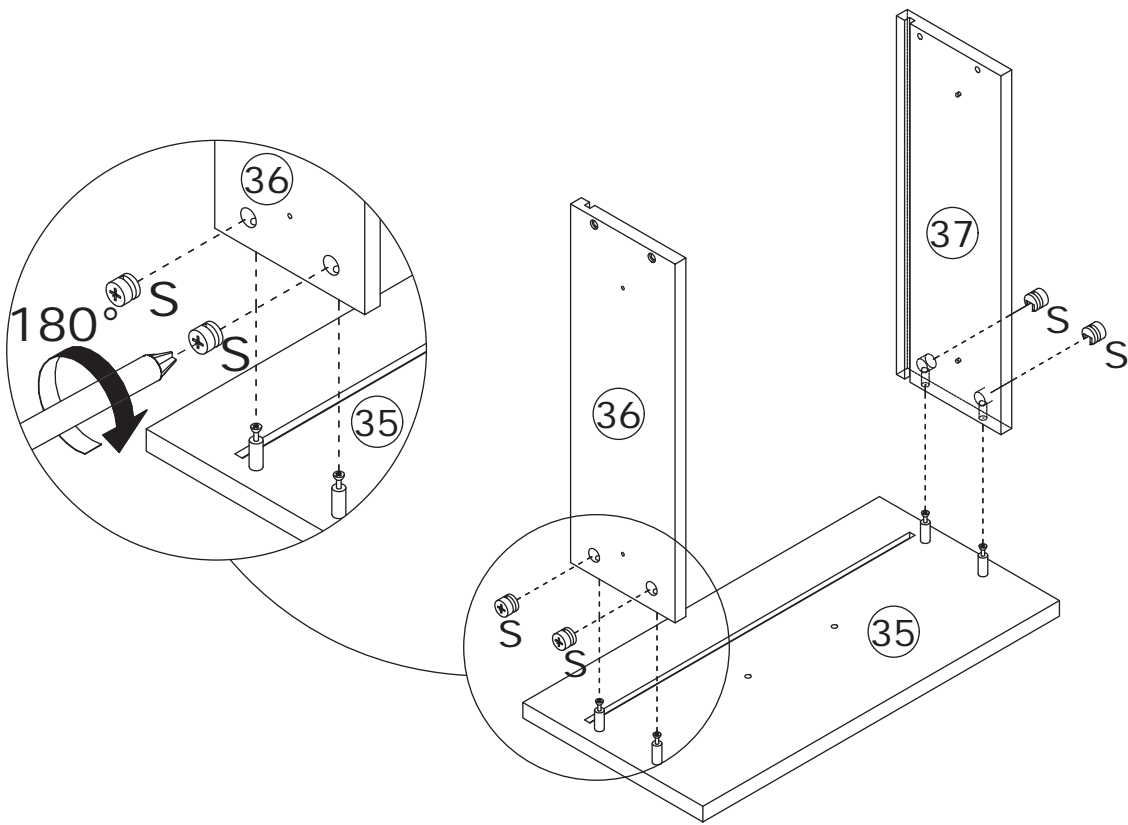
S x 8



Ø 12 x 10 mm



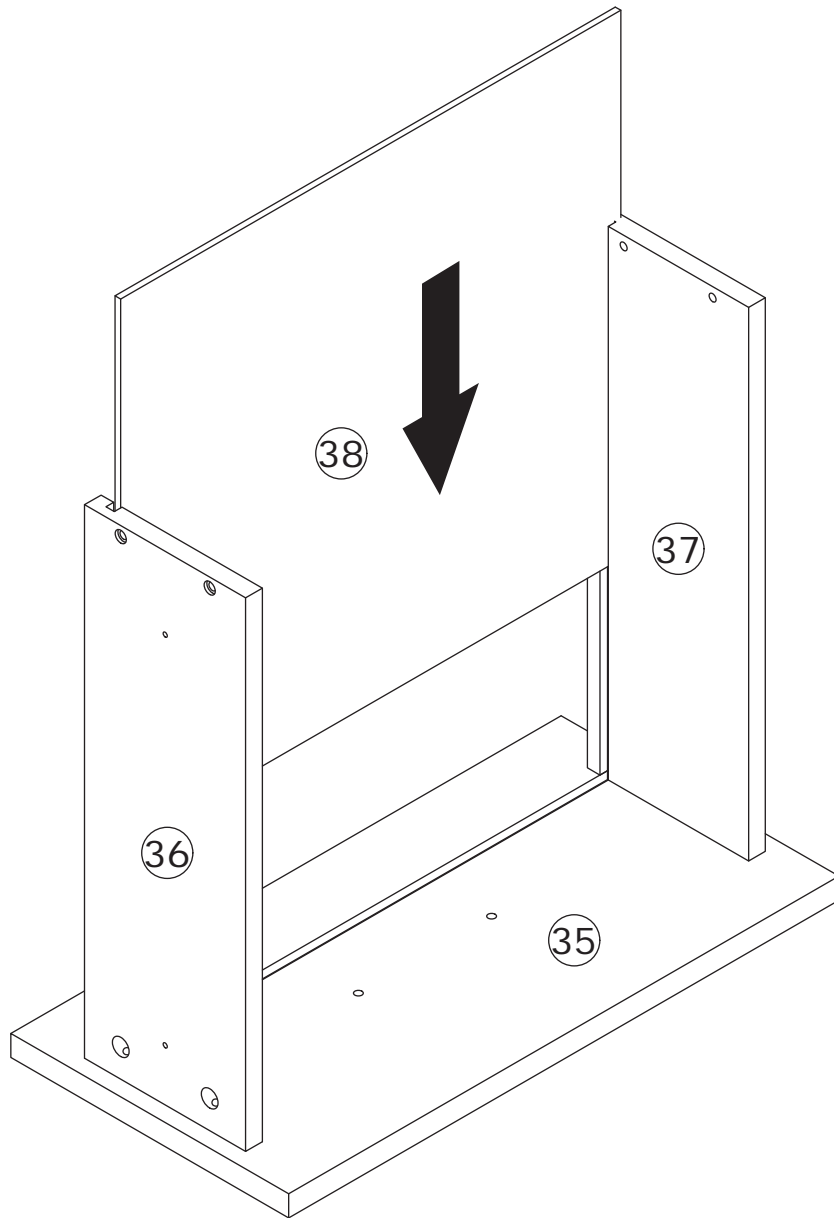
Connect plates 36 and 37 to plate 35, tighten by turning cam lock (S) clockwise, as shown.



x2

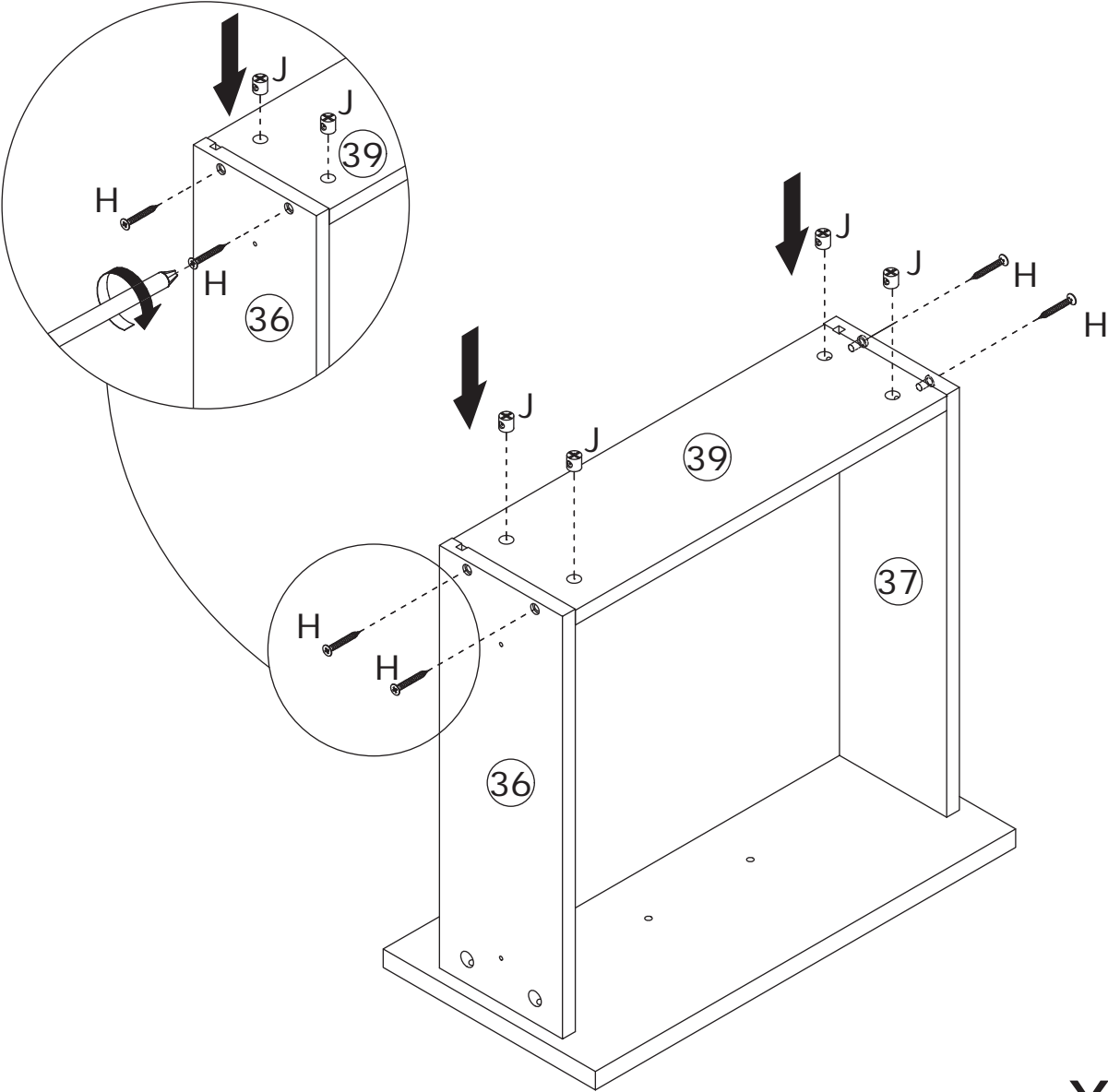
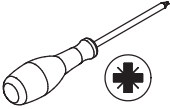
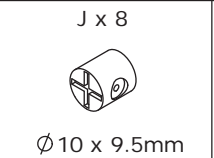
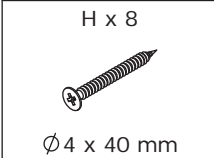
53

Insert plate 38 along the available slots.



x2



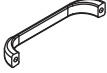

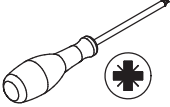
54

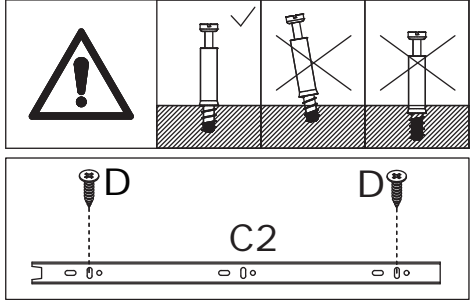


x2

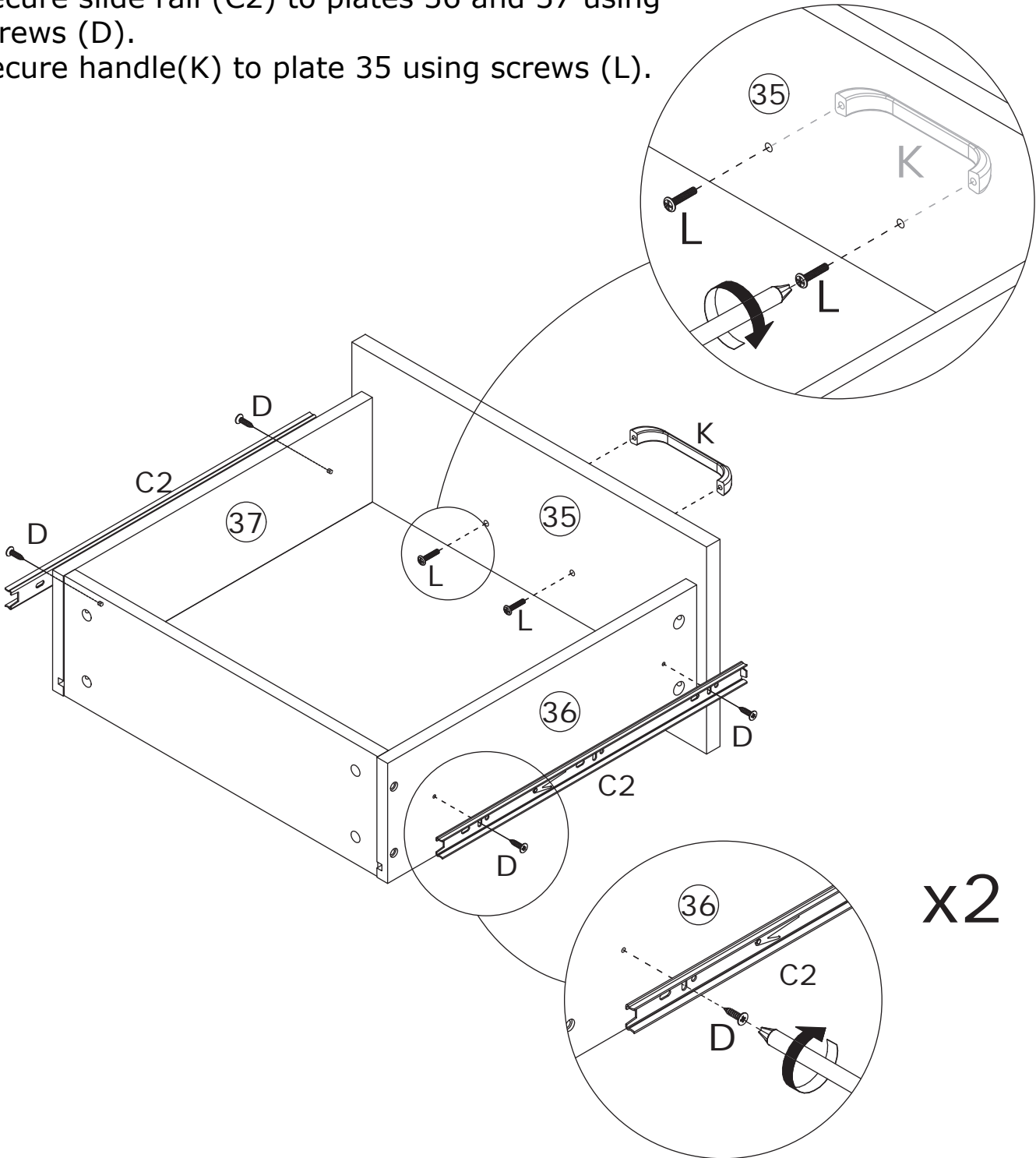
Install fitting (J) into plate 39 first.  
Secure plate 39 to plates 36 and 37 using screws (H).

55

<p>C x 4 14"</p> 	<p>D x 8 Ø3.5 x 12 mm</p> 	<p>K x 2 14"</p> 	<p>L x 4 Ø3.5 x 12 mm</p> 	
--	---	--	--	---

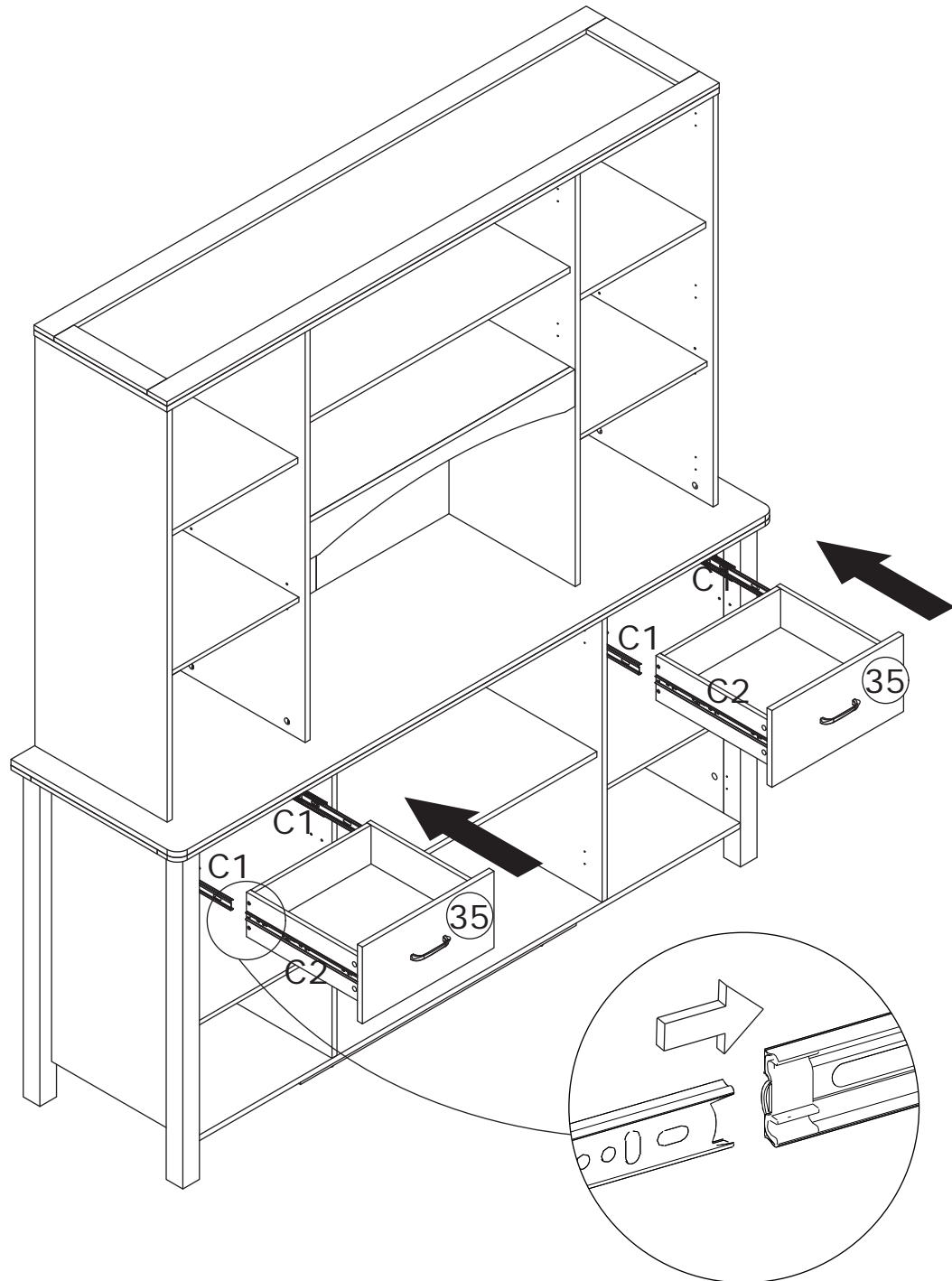


Secure slide rail (C2) to plates 36 and 37 using screws (D).  
Secure handle (K) to plate 35 using screws (L).

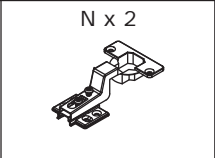
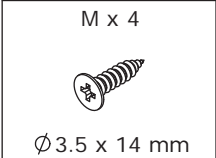


First, you need to pull out the sliding rail of the side panel, and then align it with the sliding rail of the drawer before gently pushing the drawer in.

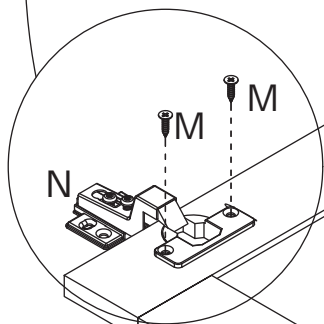
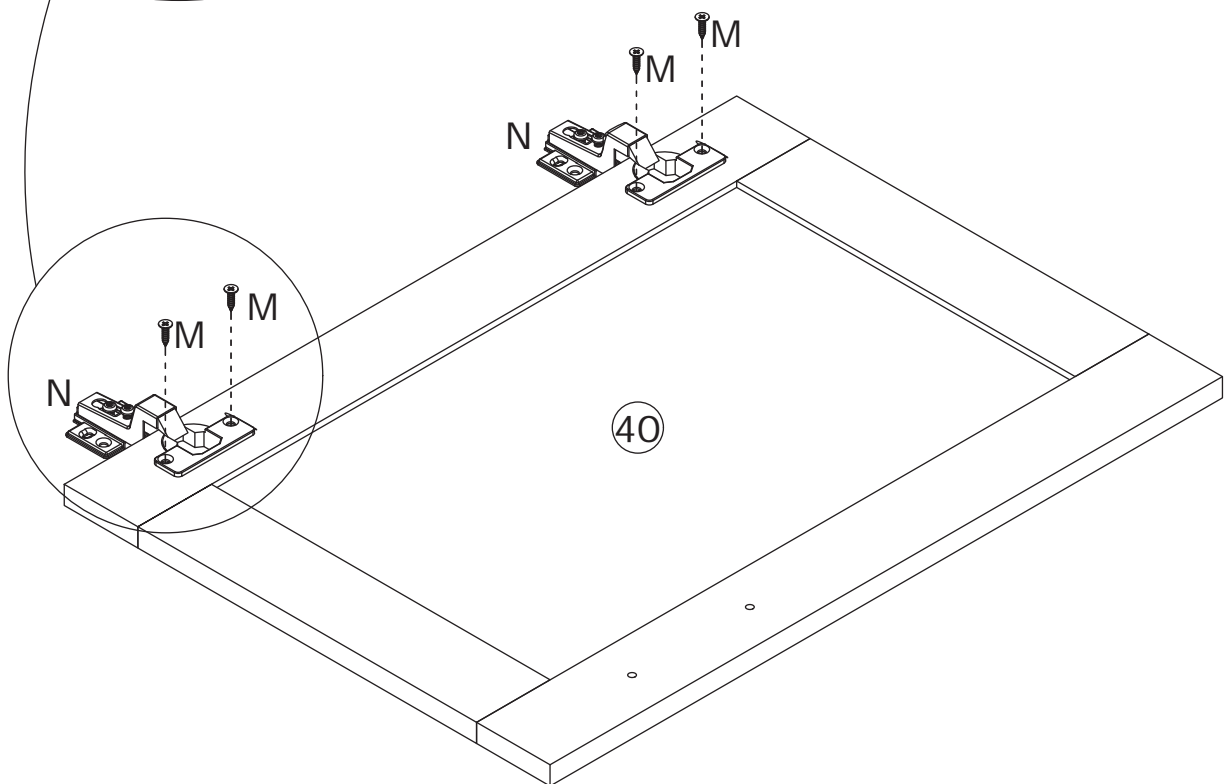
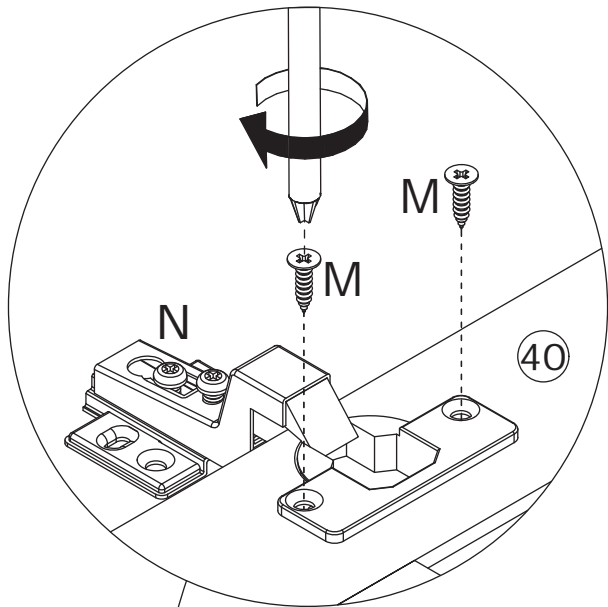
Otherwise, the steel balls in the slide rail are likely to fall off.



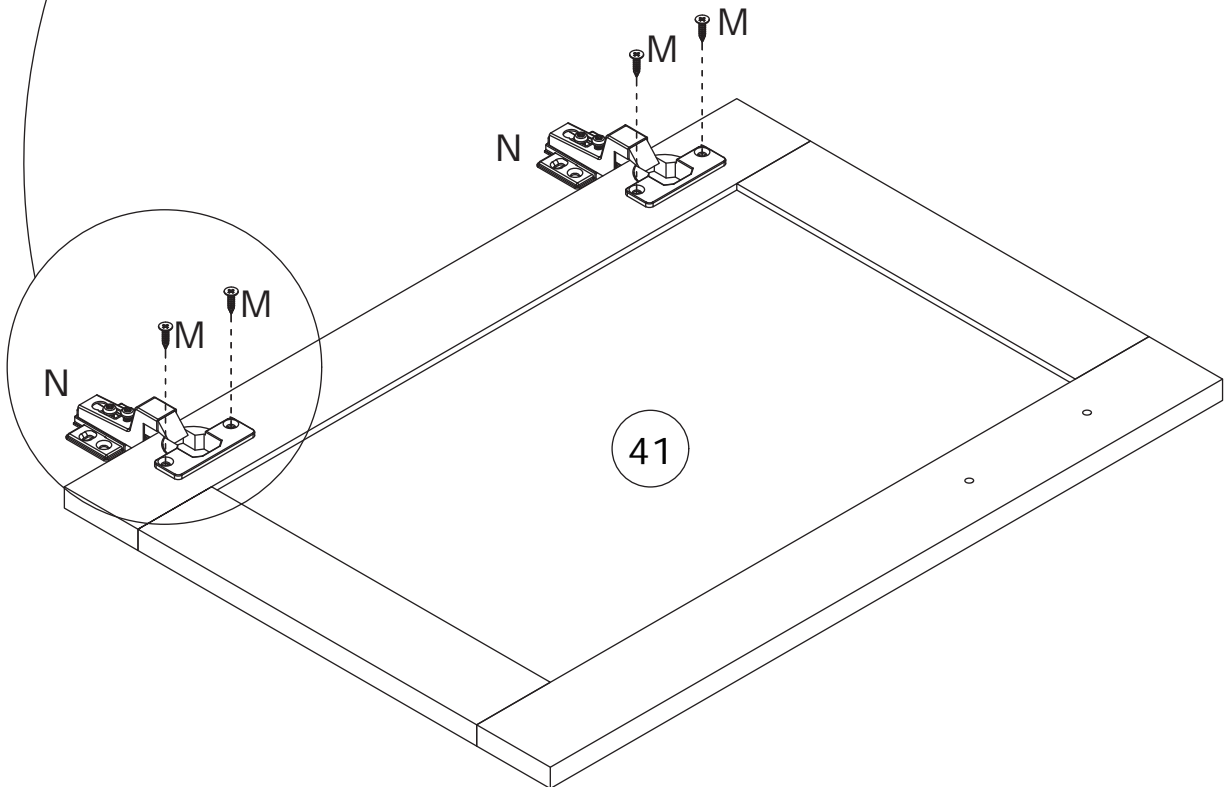
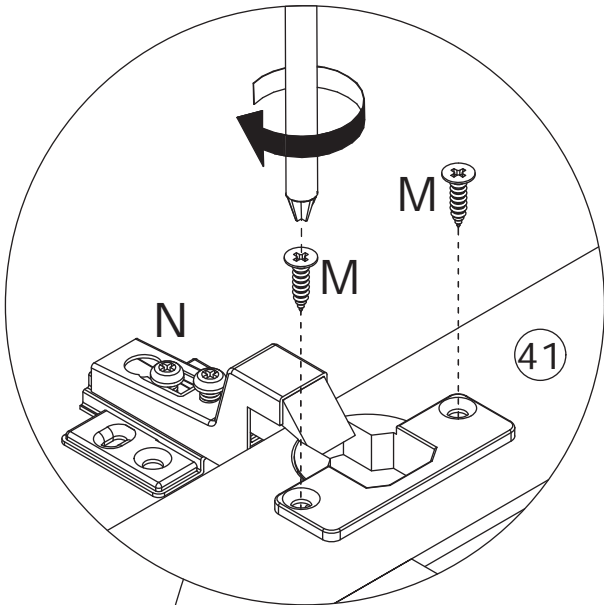
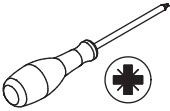
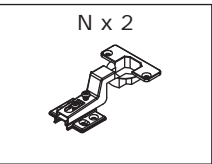
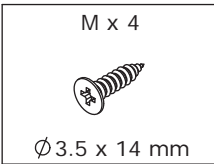
57



Secure hinges (N) to plate 40 using screws (M).

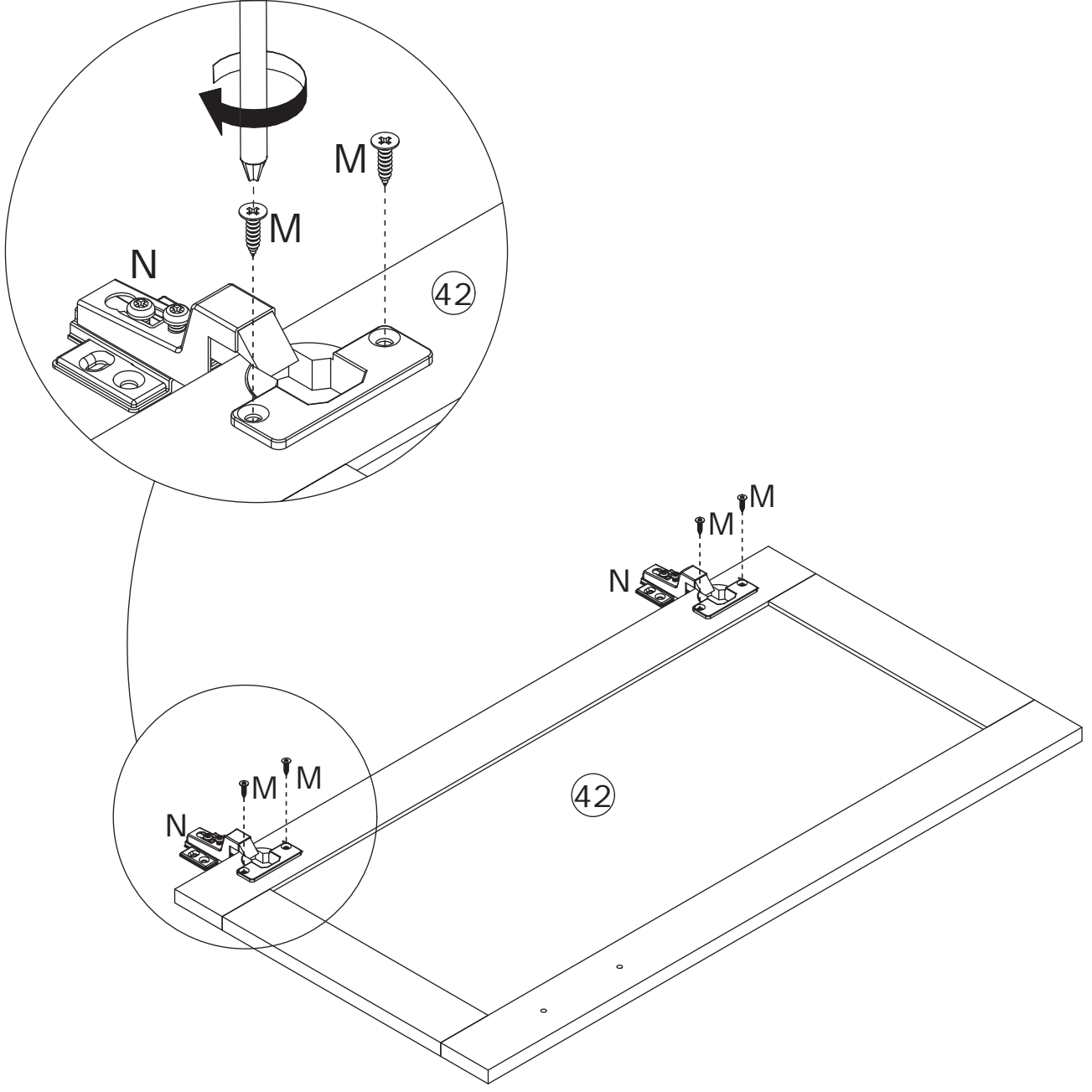
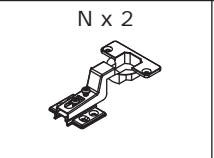
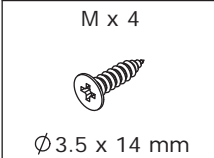


58



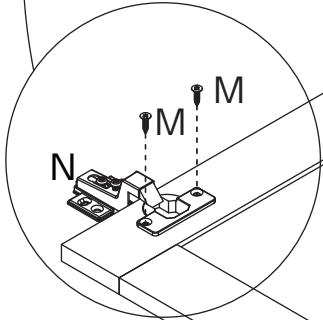
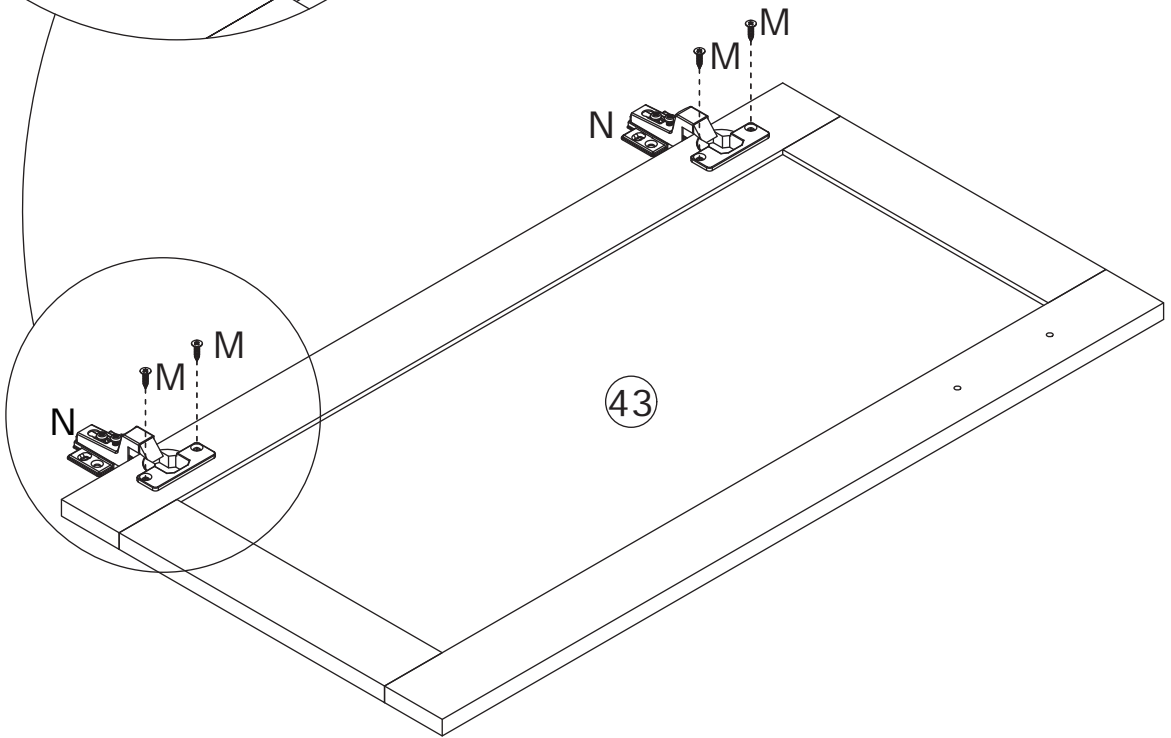
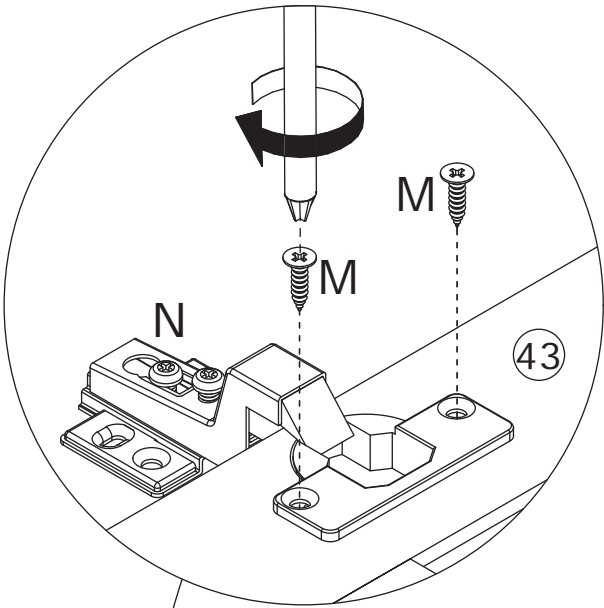
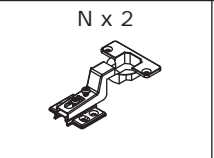
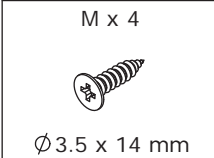
Secure hinges (N) to plate 41 using screws (M).

59



Secure hinges (N) to plate 42 using screws (M).

60



Secure hinges (N) to plate 43 using screws (M).

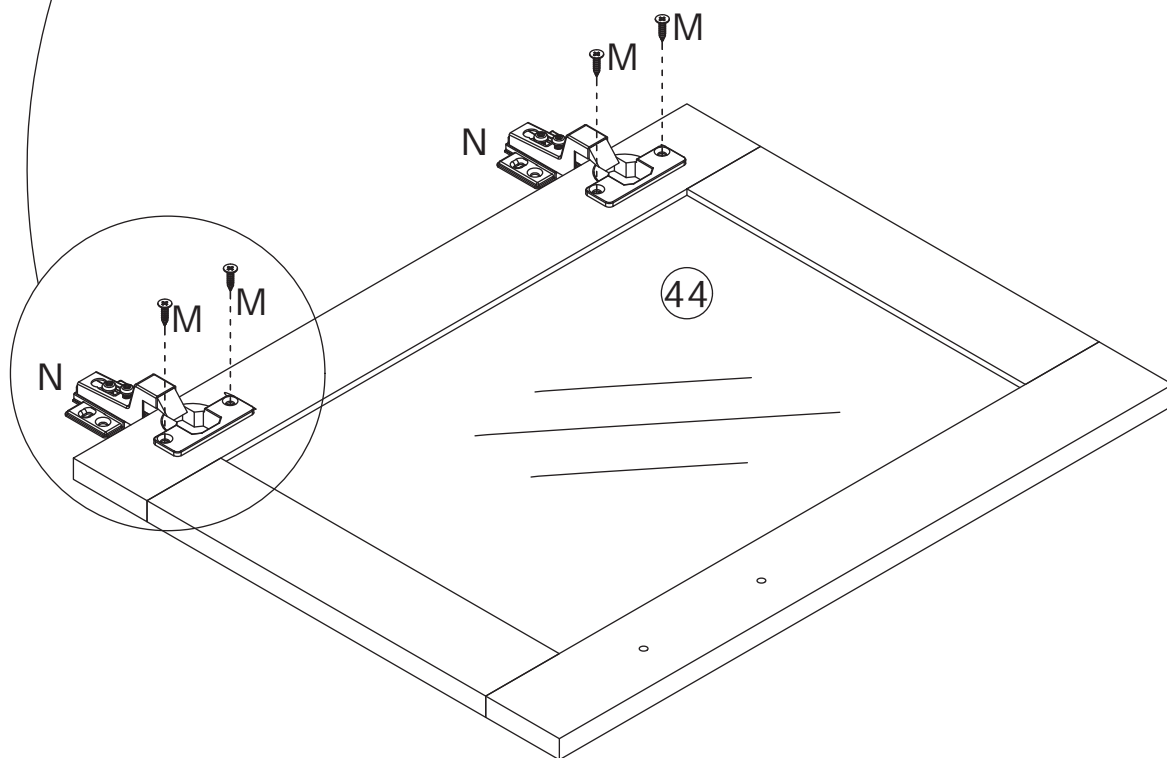
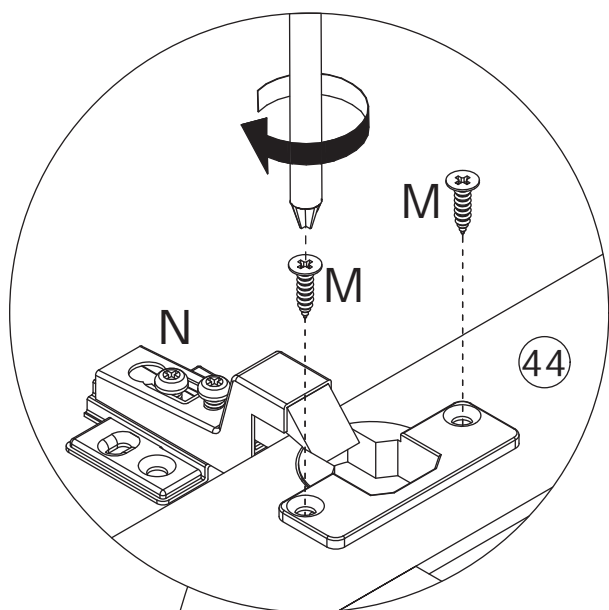
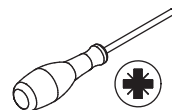
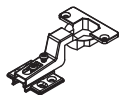
61

M x 4



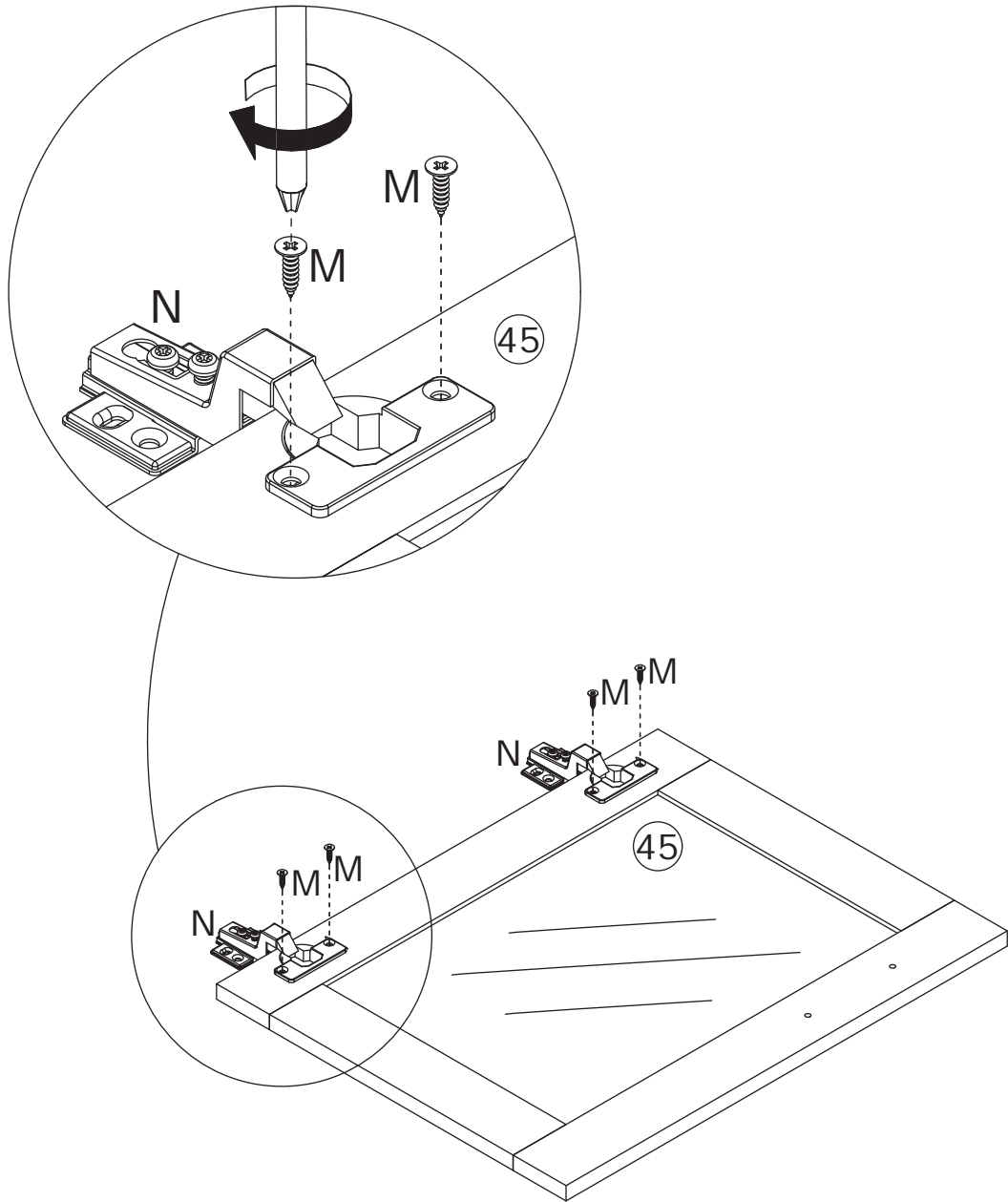
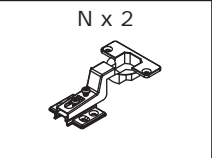
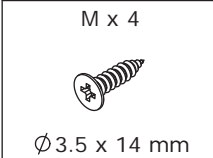
Ø3.5 x 14 mm

N x 2




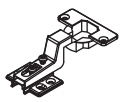
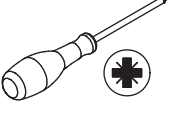
Secure hinges (N) to glass plate 44 using screws (M).

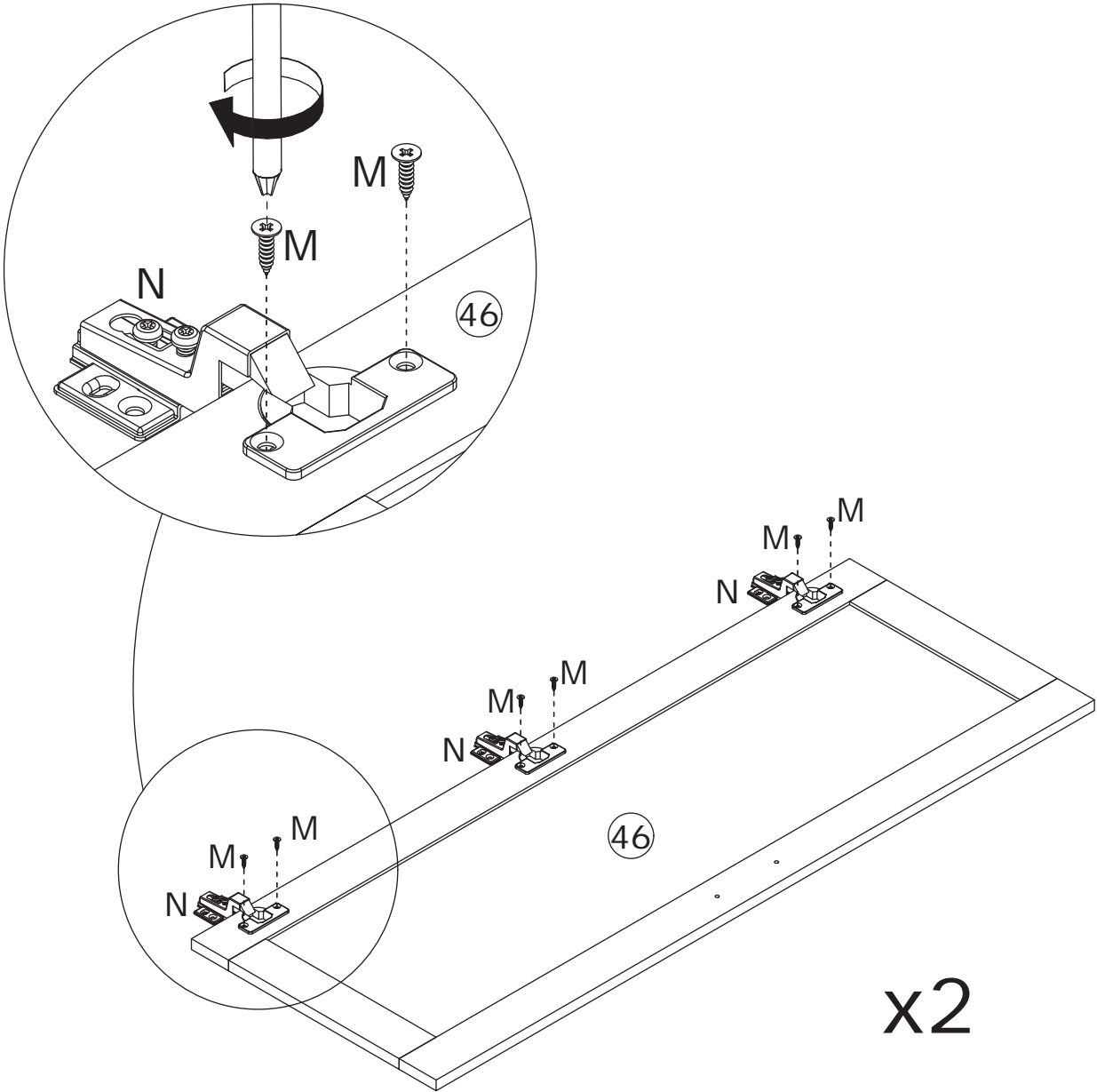
62



Secure hinges (N) to glass plate 45 using screws (M).

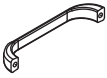


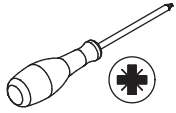
63

<p>M x 12</p>  <p>Ø3.5 x 14 mm</p>	<p>N x 6</p> 	
---	--	---

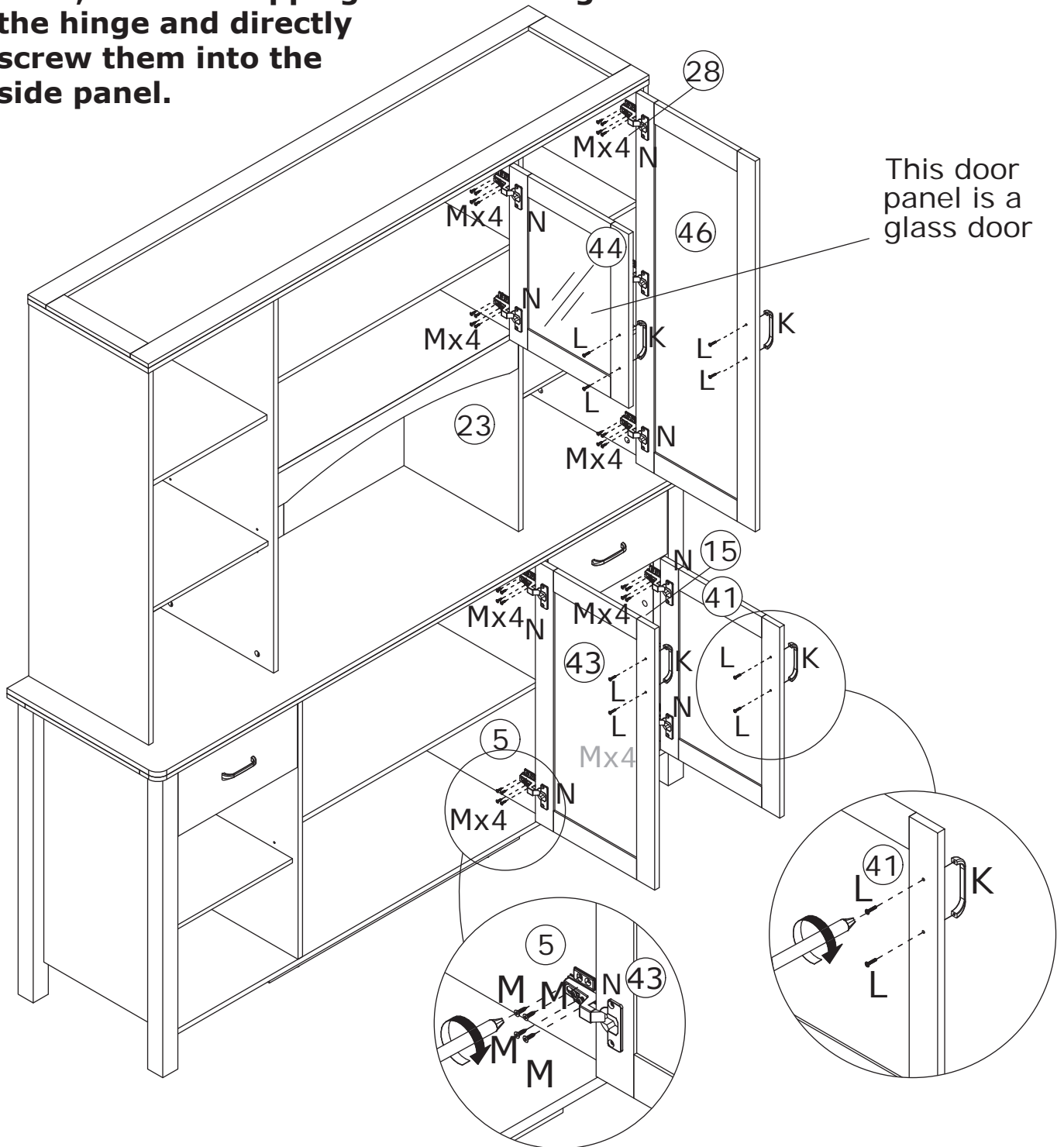


Secure hinges (N) to plate 46 using screws (M).

64

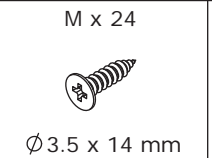
<p>K x 4</p>  <p>14"</p>	<p>L x 8</p>  <p>Ø3.5 x 12 mm</p>	<p>M x 24</p>  <p>Ø3.5 x 14 mm</p>	
---	--	---	---

**Note:** The side panel has only two holes for fixing the rear part of the hinge. After fixing it in place, adjust the door panel properly. Then, use self-tapping screws to align with the other two holes of the hinge and directly screw them into the side panel.



Secure plates 41, 43, 44 and 46 to plates 15, 5, 23, and 28 respectively using screws (M).  
Secure handles (K) using screws (L).

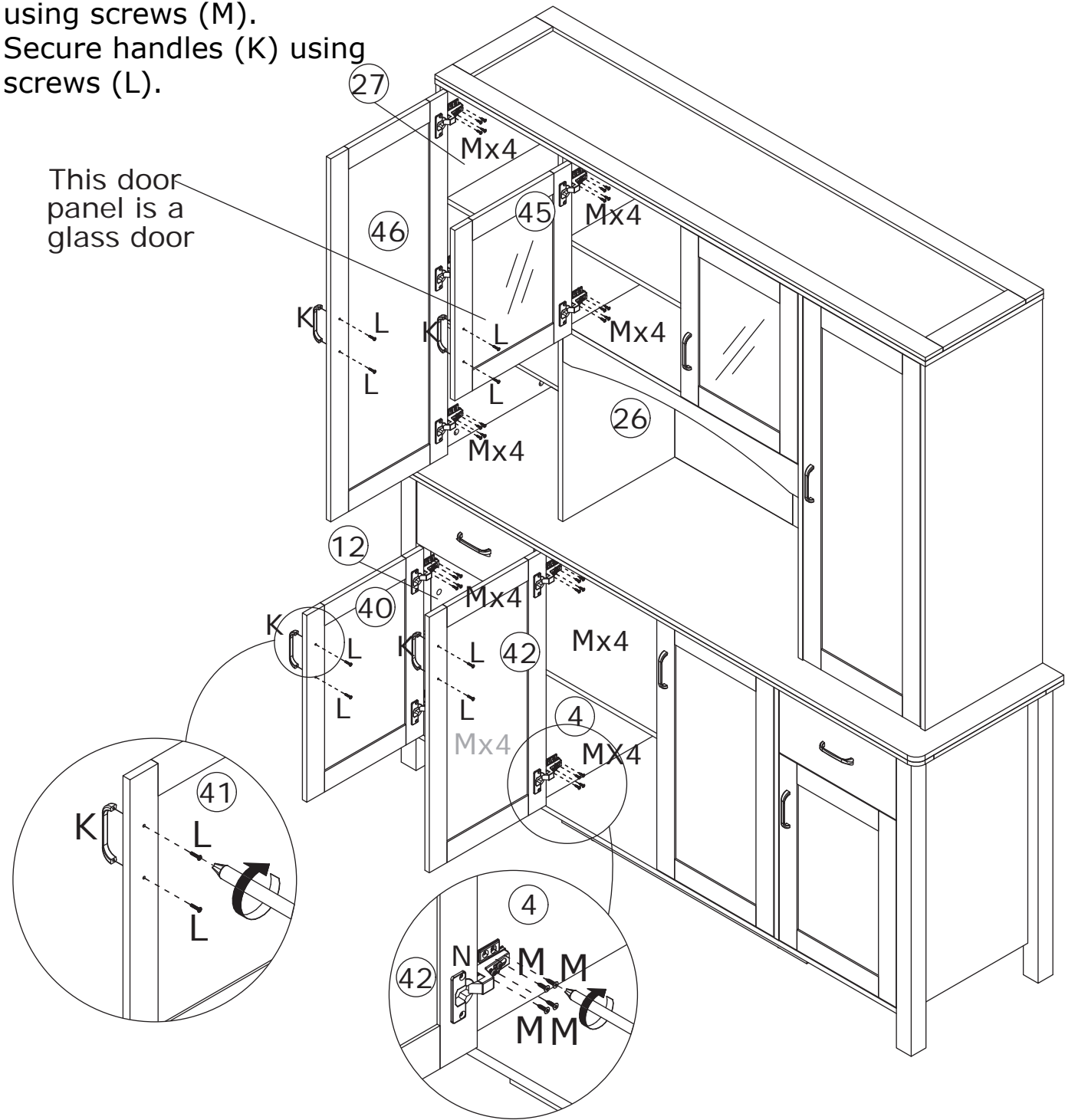
65






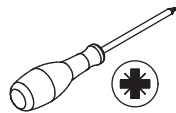

**Note: The side panel has only two holes for fixing the rear part of the hinge. After fixing it in place, adjust the door panel properly. Then, use self-tapping screws to align with the other two holes of the hinge and directly screw them into the side panel**

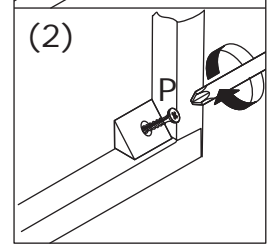
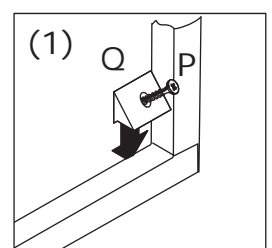
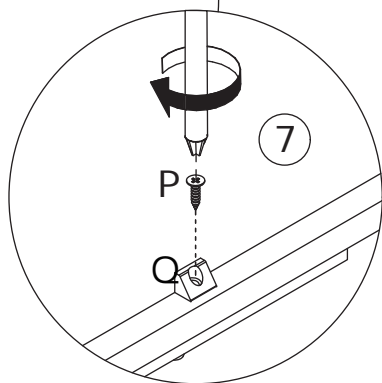
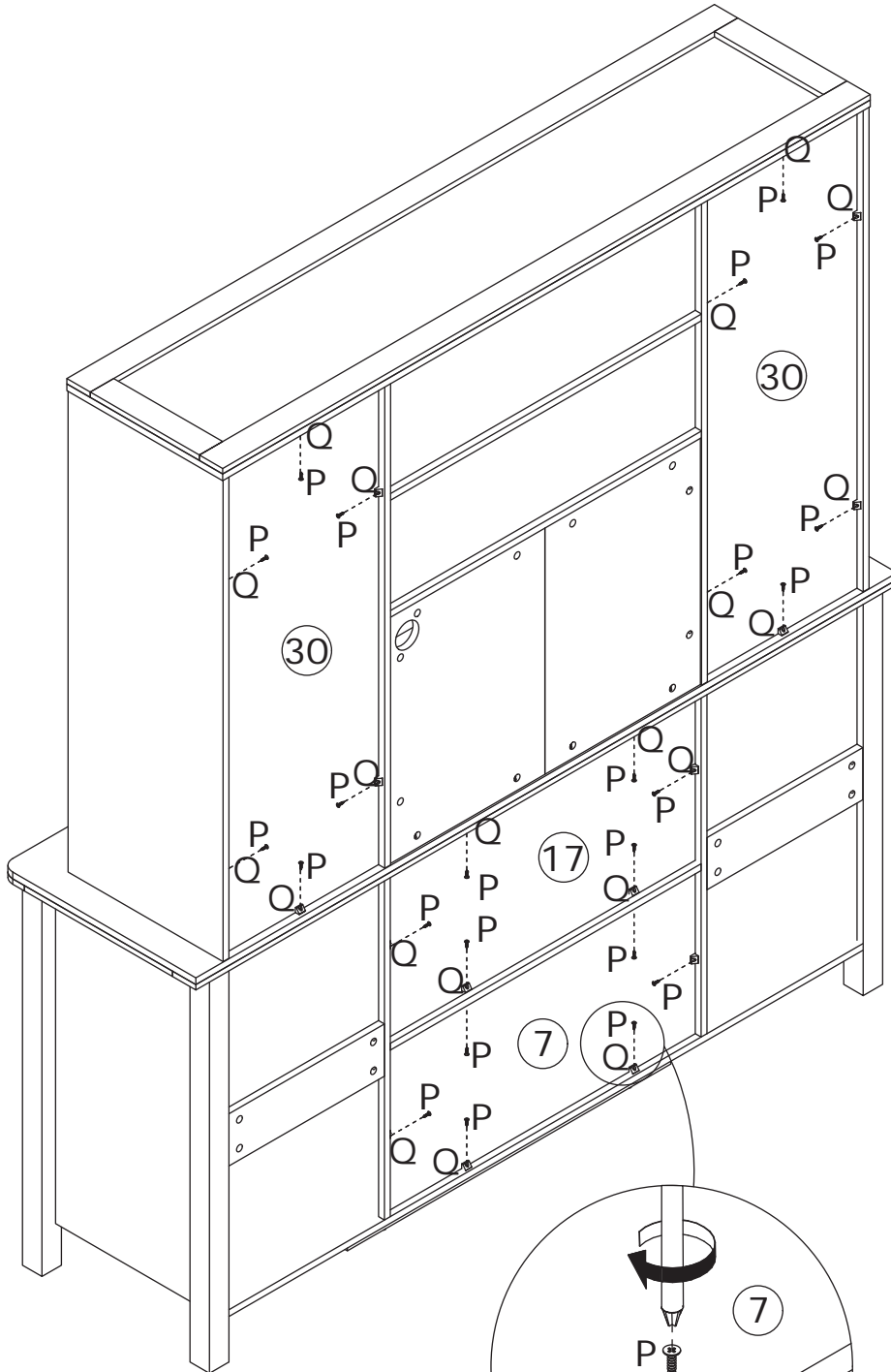
Secure plates 40, 42, 45, and 46 to plates 12, 4, 26, and 27 respectively using screws (M).

Secure handles (K) using screws (L).




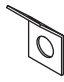
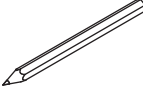
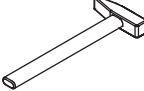

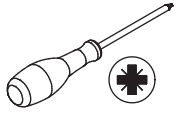


66

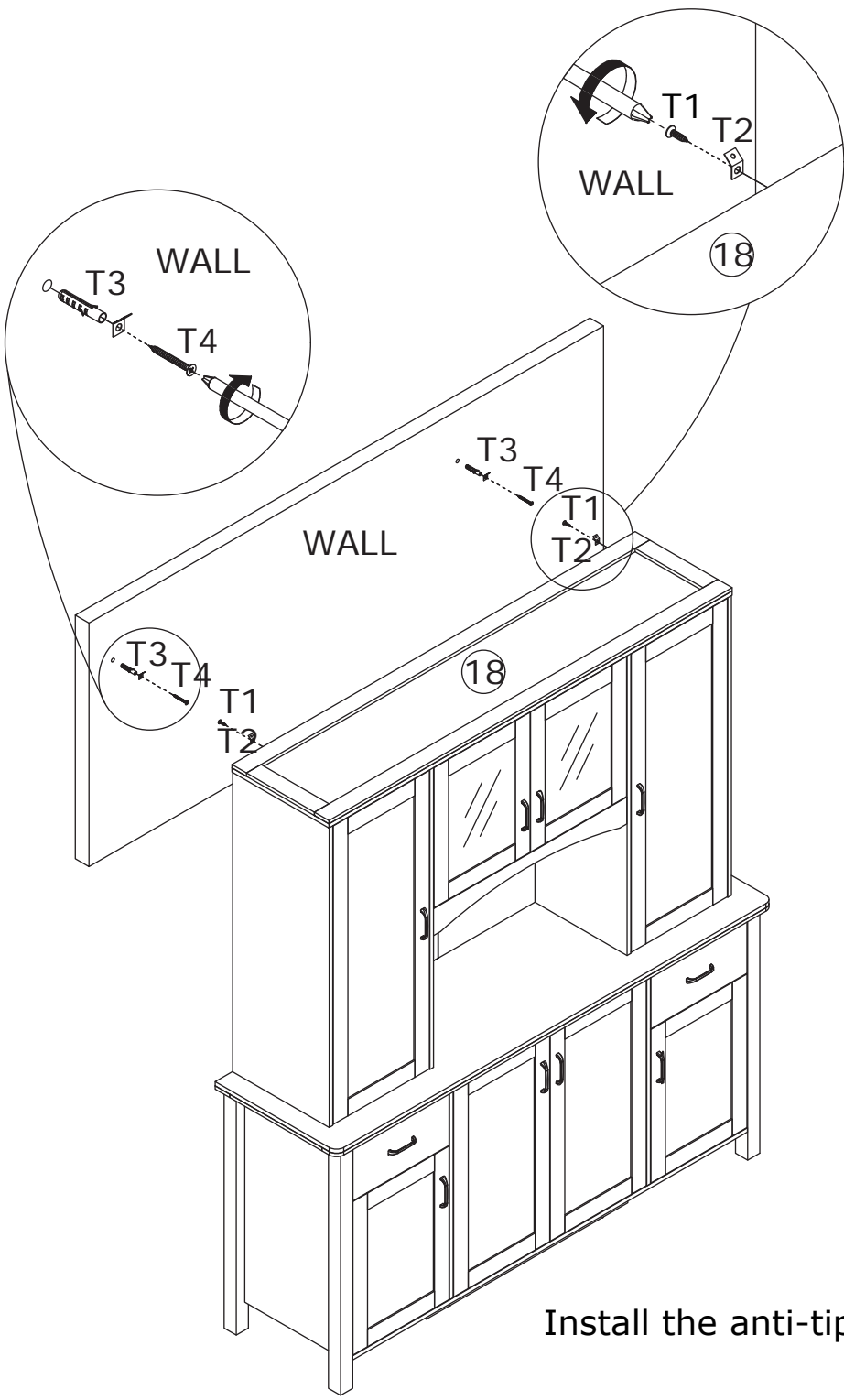
<p>P x 24</p>  <p>Ø 3.5 x 16 mm</p>	<p>Q x 24</p> 	<p>R x 1</p>  <p>Ø 60 mm</p>	 
--	---	---	---

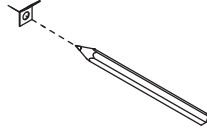
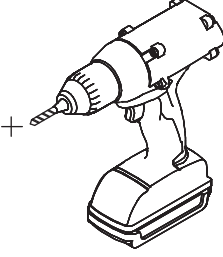
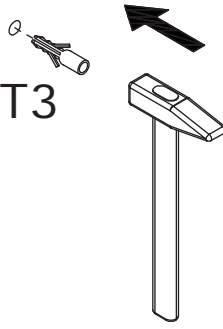
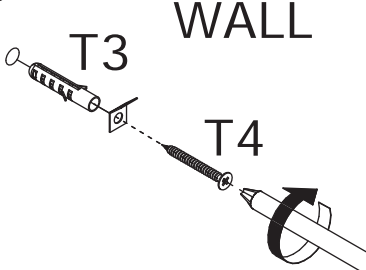


Insert clips (Q) into the back slots and secure with screws (P).

67

T1 x 2  Ø 3.5 x 14 mm	T2 x 2 				
T3 x 2 	T4 x 2  Ø 3.5 x 35 mm				

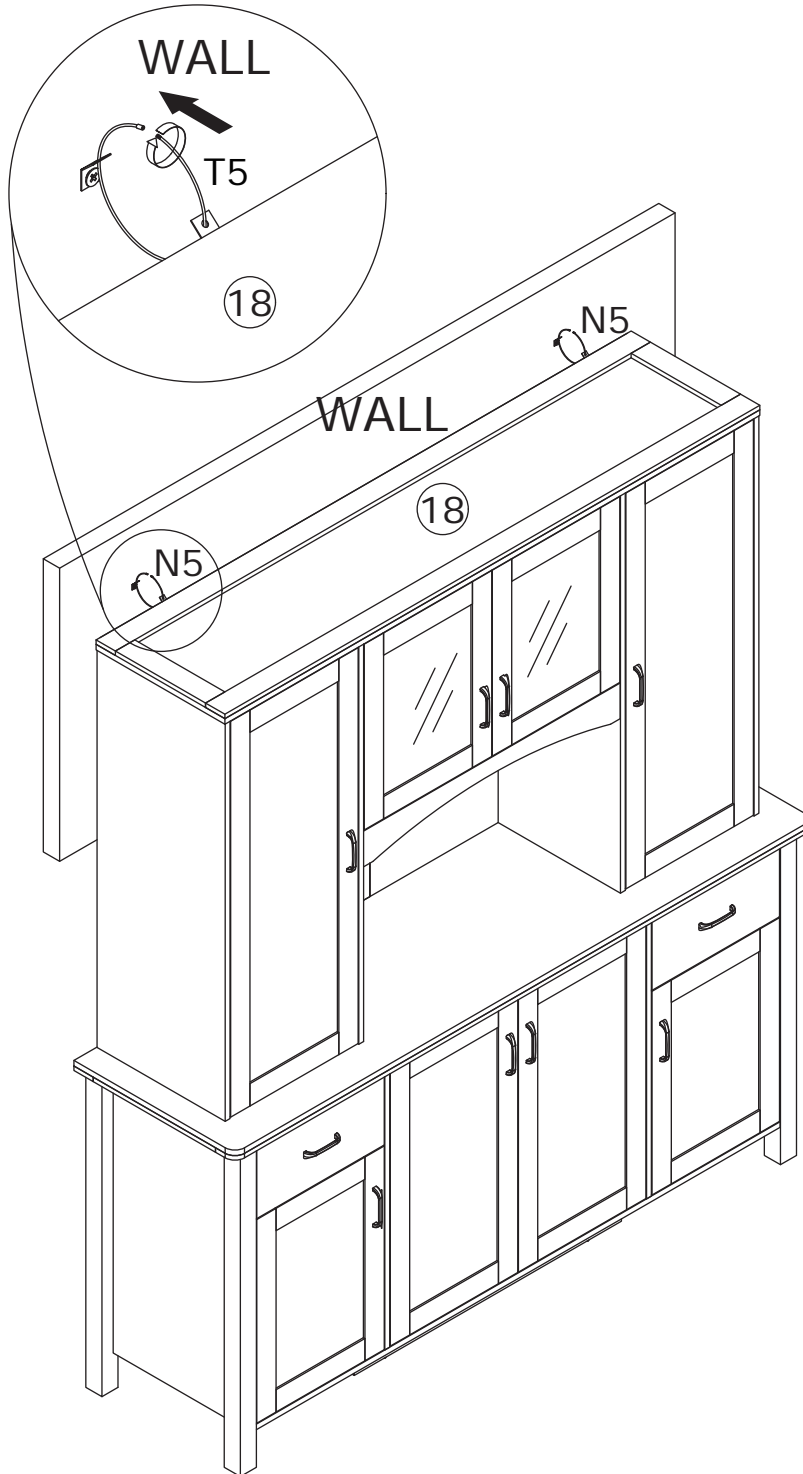


1. 
2. 
3. 
4. 

Install the anti-tip device as shown.

68

T5 x 2



Secure fitting (T2) and fitting (T3) using fitting (N5).

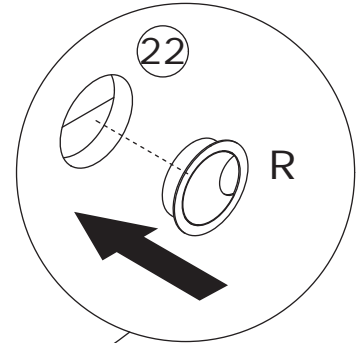
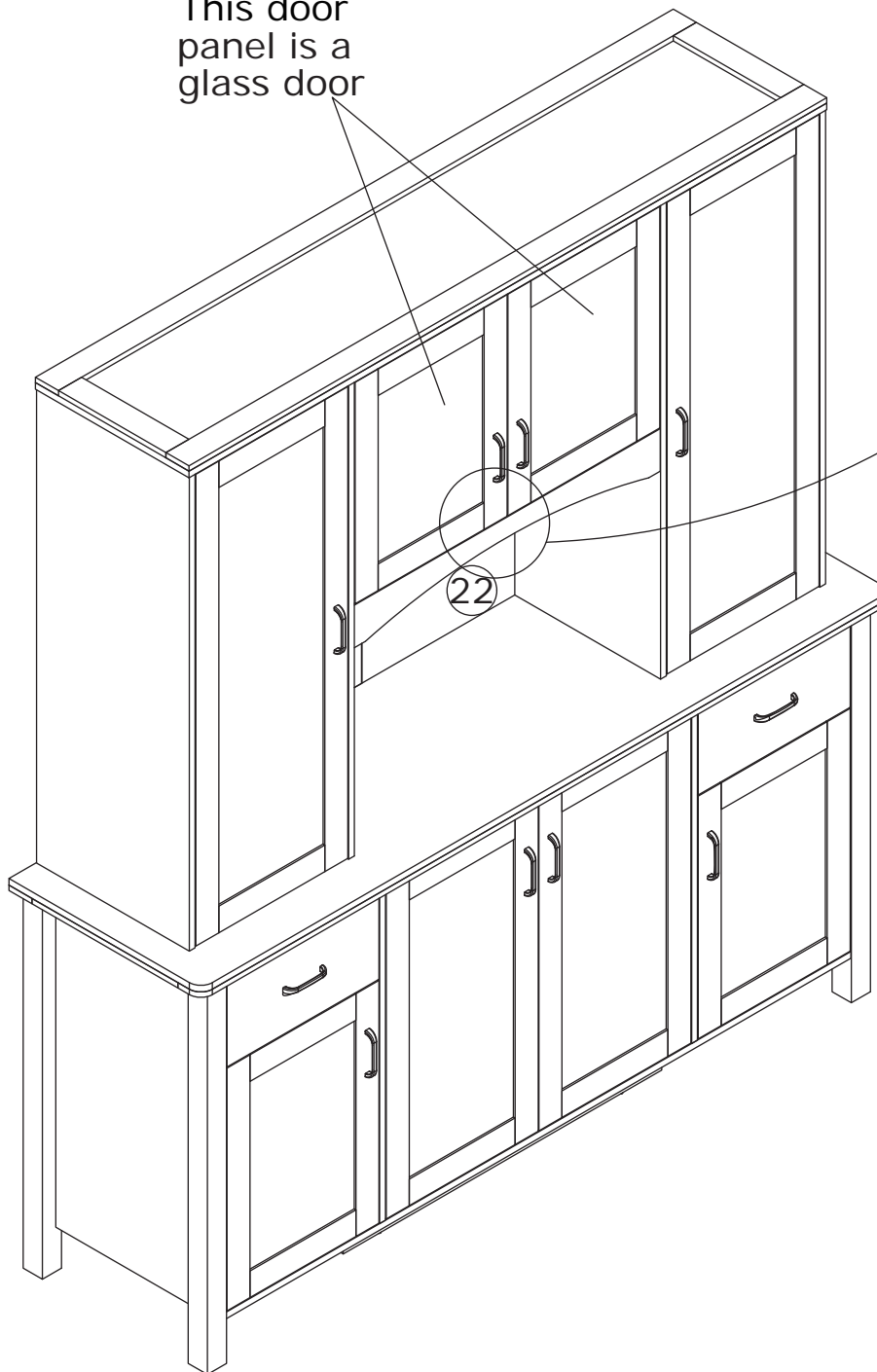
69

R x 1



Ø60 mm

This door panel is a glass door



Install fitting (R) into plate 22.

# WARRANTY

## WARRANTY CLAIMS

- There is a 30-day warranty for broken furniture or any other problems that do not work properly. The warranty will start from the date of purchase which must be verified by proof of purchase.
- Before making a claim, we may be able to answer your query, simply call us. Please leave your purchase order number, along with some details of the problem, if you want a replacement part. We will arrange within 48 hours. If there is out of stock, we will reply with a shipping date.
- The product must be used in accordance with the instructions provided. For health reasons.
- For other reasons, if the furniture needs to be returned, it must be cleaned and dried and operated within 30 days of receipt.

## Type of Warranty Claim

- Failure to follow the furniture instructions will invalidate the warranty. Attention please.
- Does not include damage during installation, but includes damage during transportation.

## Scope of responsibility

- Shall not bear any responsibility for misuse or user damage and / or loss of parts during the installation of furniture.
- After using, the damage and scratches of the furniture are not covered by the warranty.

## The Warranty Relates to All Bought in The Us and Covers The Following Areas

- Sheet parts: 1 month from the date of purchase.
- Electrical parts: 1 month from the date of purchase.

# RETURNS

## CHANGED YOUR MIND AND NEED TO RETURN YOU ITEM?

### PLEASE FOLLOW THE BELOW INSTRUCTIONS:

- If you have purchased and have simply changed your mind, follow the retailer's instructions for returns.

### DEFECTIVE ITEMS

- If your item is defective in any way, i.e. it doesn't work but you can't identify why, in the first instance, please call us.

### DAMAGED ITEMS

- If you receive an order with obvious shipping damage from the retailer, then we suggest the delivery is refused. If the delivery has been accepted and then shipping damage is found, please follow the specific instructions advised by the retailer.  
In all circumstances please save all packaging material and paperwork for the order. Please be aware that if you dispose of packaging material or attempt to return the merchandise without contacting the fulfiller, you jeopardise your chances of making a claim, and you may not receive a credit for the return.