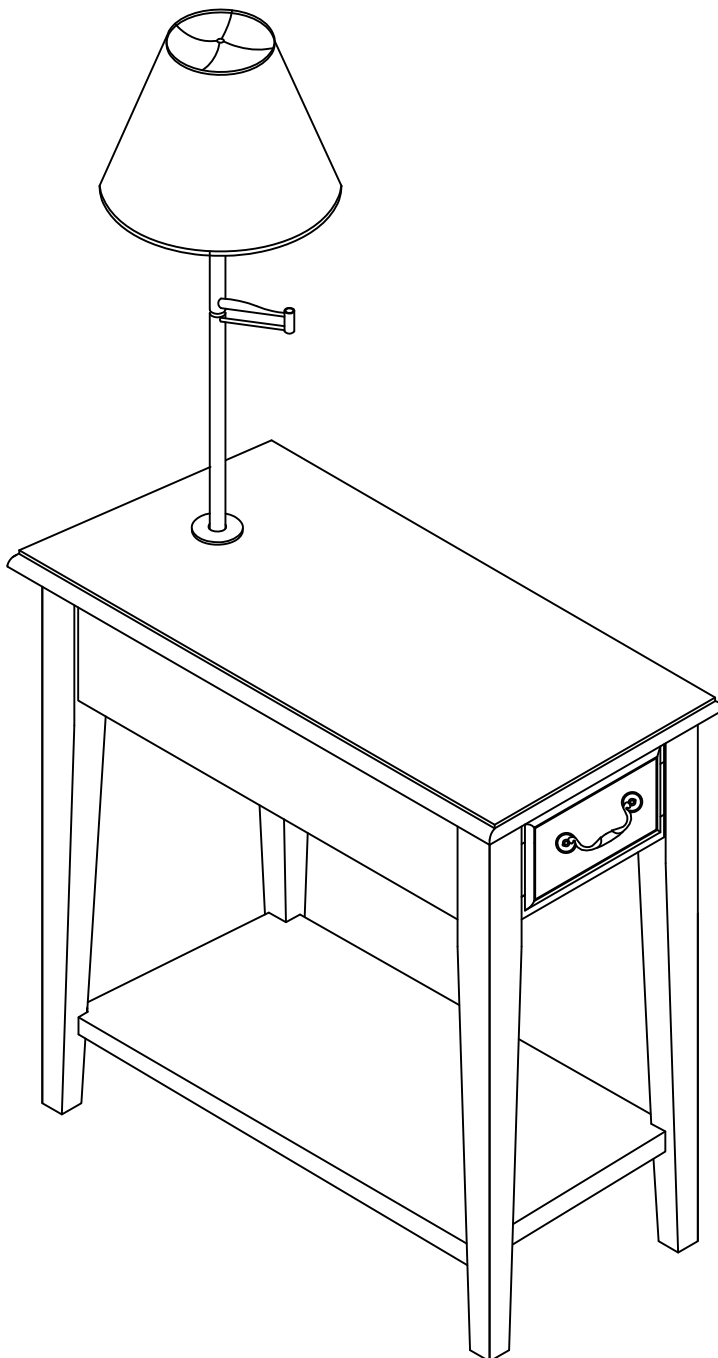







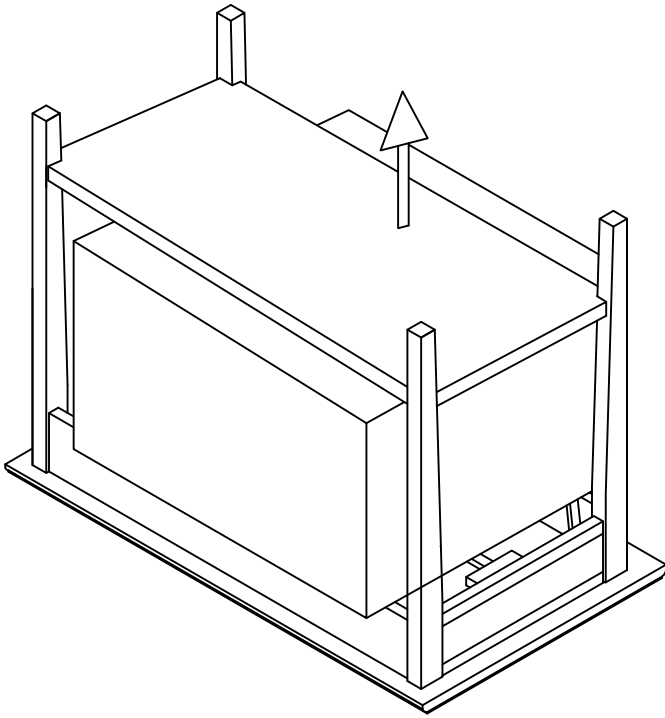
Assembly Instructions, Lamp Table



A: Allen Wrench	
B: Cap	
C: (4) Shelf Supports	
D: Wrench	
E: (2) Extra Drawer Glides	

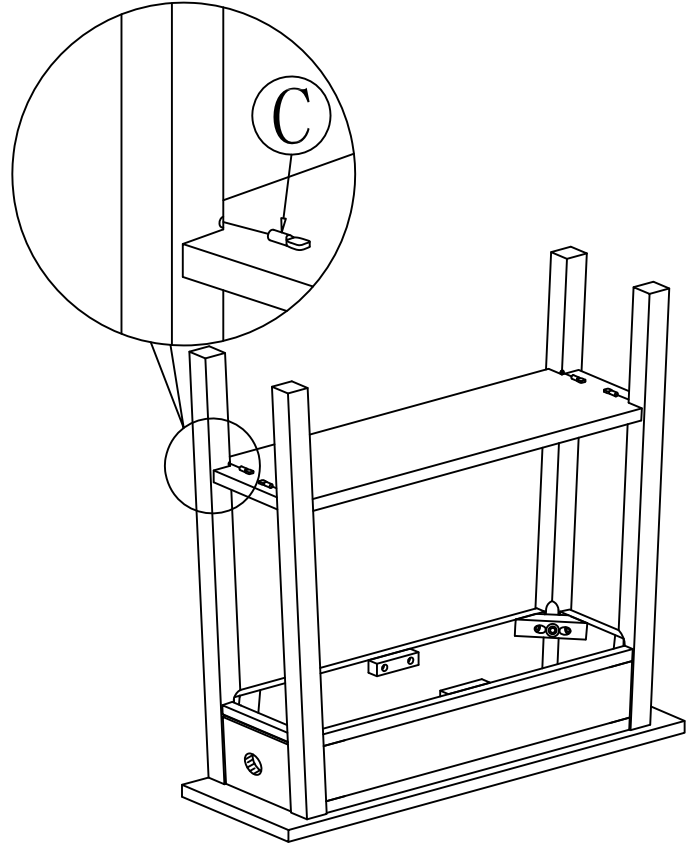
Step 1

Remove all the parts inside of the table.



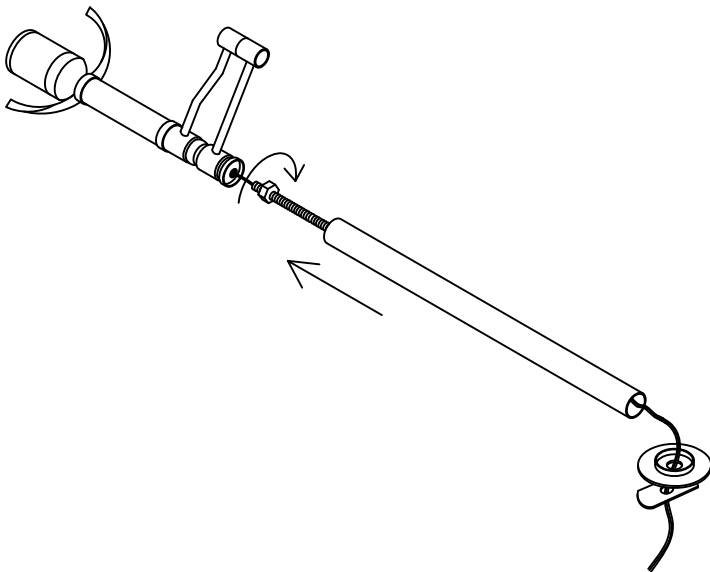
Step 2

Put the shelf into the table until below shelf support holes on legs. Insert shelf supports.



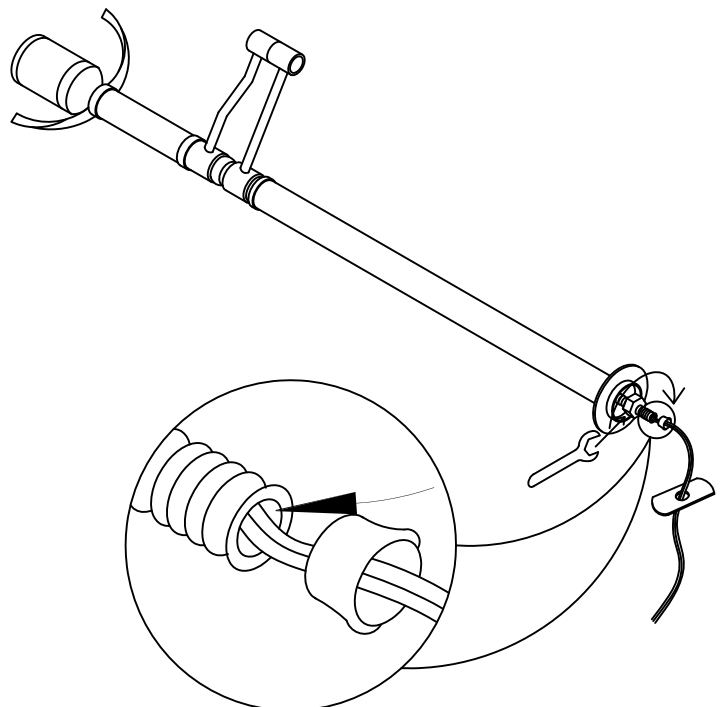
Step 3

Pull on cord from bottom and slide threaded tube up to swing arm. Turn threaded tube in about three rotations and lock down with nut and wrench.

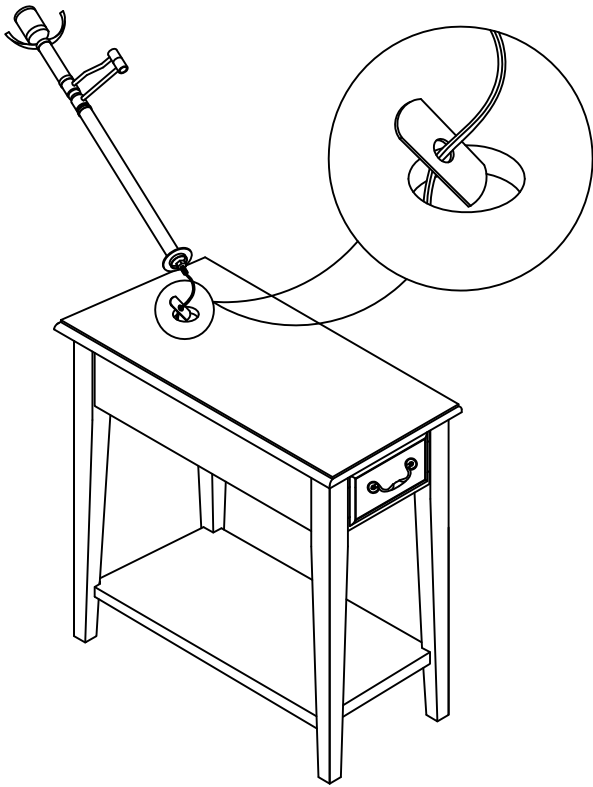


Step 4

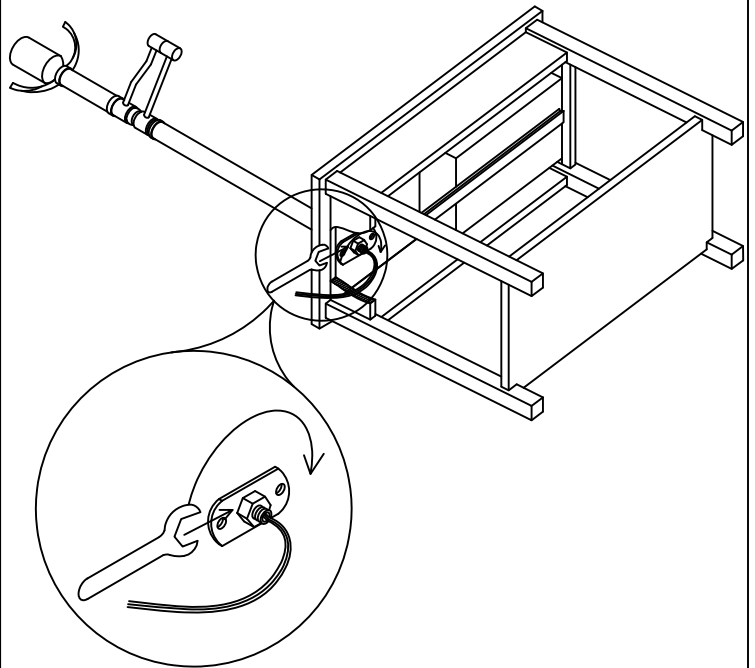
Slide plastic insulator up into bottom of threaded tube. Then slide round flange and nut up to post and tighten.



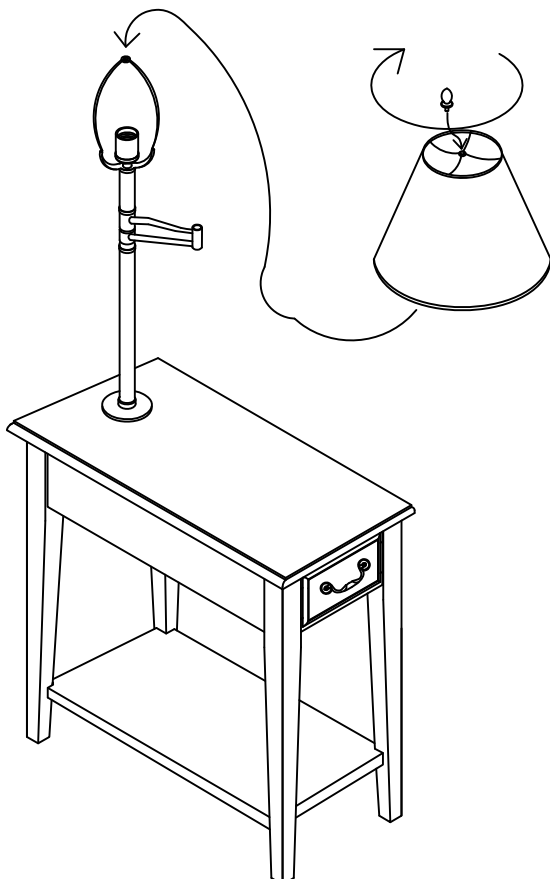
Step 5
Pull the plug / cord and metal bracket through hole in table top.



Step 6
Lay table on it's side. Turn the mounting bracket onto the threaded tube and tighten.



Step 7
Place the harp into the fixture and install shade.



Step 8
Pull cord through hole in back of table and insert grommet into hole.

