
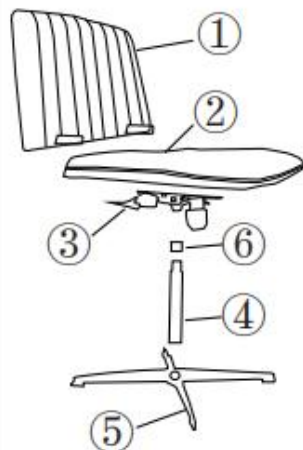

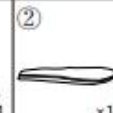


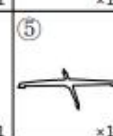




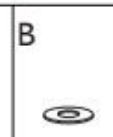
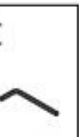
ASSEMBLY INSTRUCTIONS

SC-001

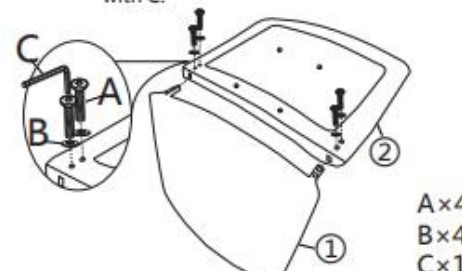




①  x1	②  x1	③  x1
④  x1	⑤  x1	⑥  x1

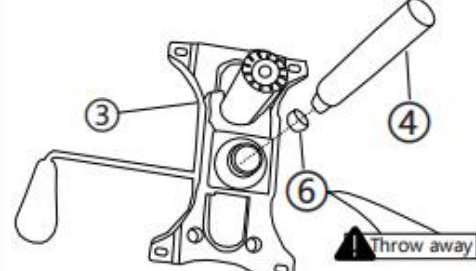
A  6*16mm x8	B  x8	C  M5 x1
---	--	--


STEP 1 Connect ① and ②, insert A and B in the corresponding holes in turn and fasten with C.



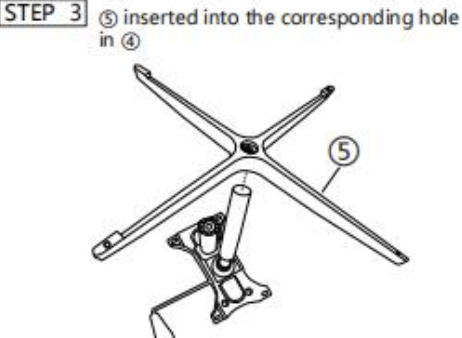
A x 4
B x 4
C x 1

STEP 2 ⑥ pull off and throw away from ④ and insert ④ into the corresponding hole in ③

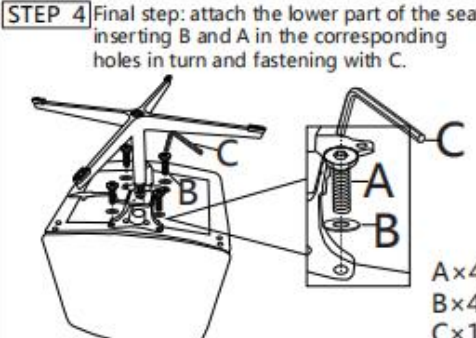


 Throw away

STEP 3 ⑤ inserted into the corresponding hole in ④



STEP 4 Final step: attach the lower part of the seat, inserting B and A in the corresponding holes in turn and fastening with C.



A x 4
B x 4
C x 1