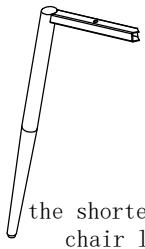
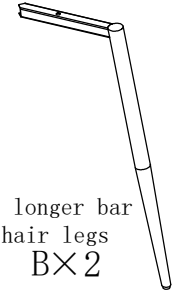
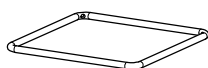

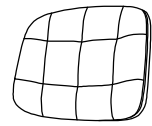
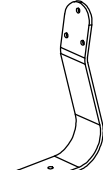



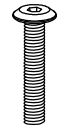


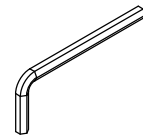


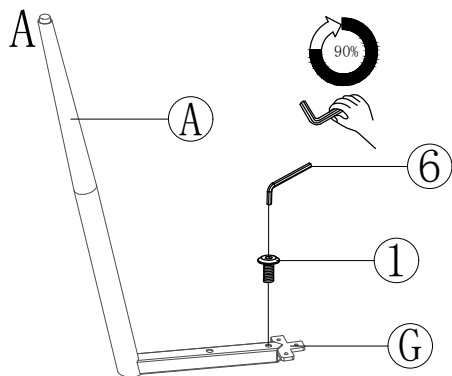
BS-3044 ASSEMBLY INSTRUCTION

Please scan the QR code to watch the assembly video before installation.

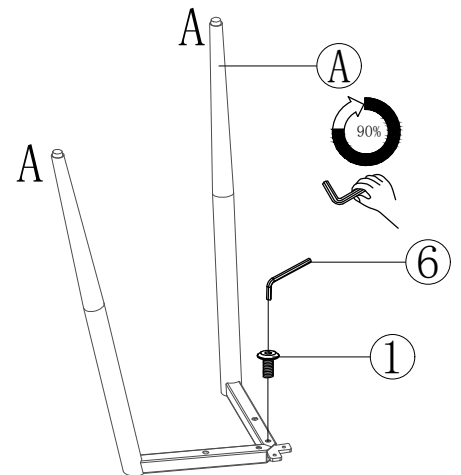


 the shorter bar chair legs A×2	 the longer bar chair legs B×2	 footrest C×1	 cushion D×1	 backrest E×1	 curved iron plate F×1	 cross-shaped iron plate G×1
 ①×4 M6×12mm	 ②×6 M6×20mm	 ③×4 M6×35mm	 ④×3 M6×16mm	 ⑤×6 Φ19×Φ6mm	 ⑥×1 4#	

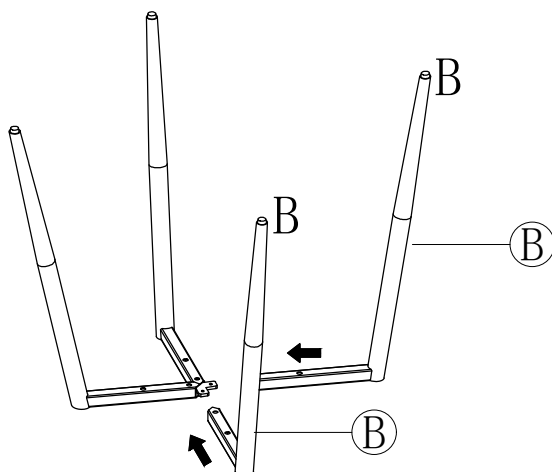
Step 1



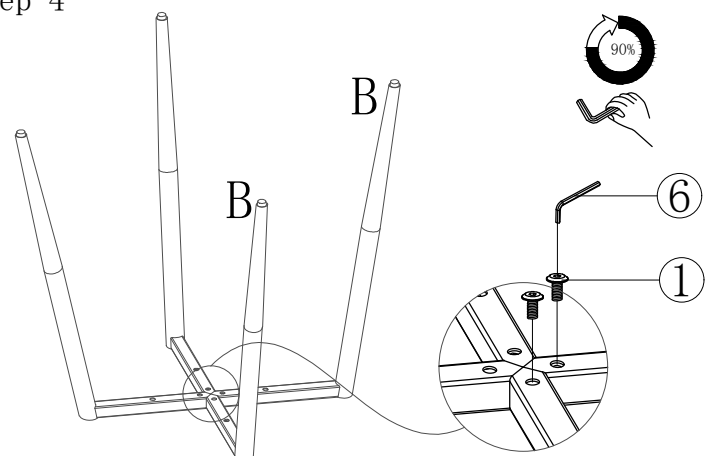
Step 2



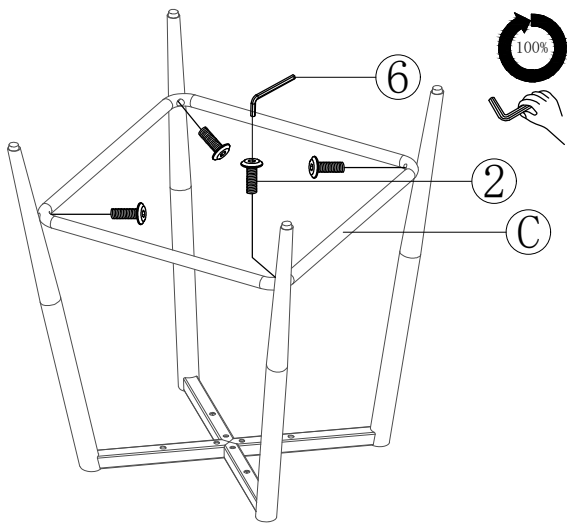
Step 3



Step 4

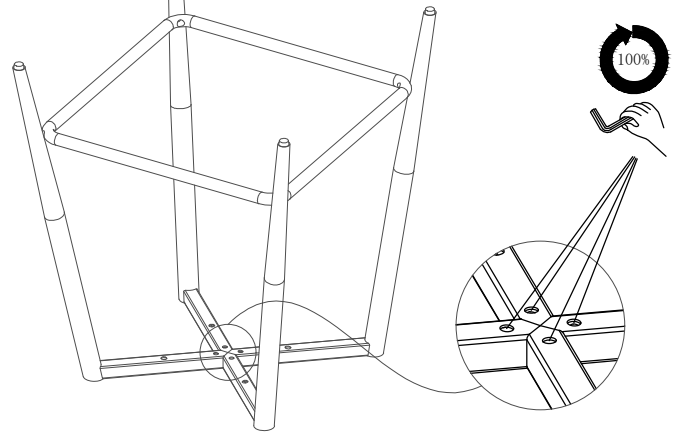


Step 5



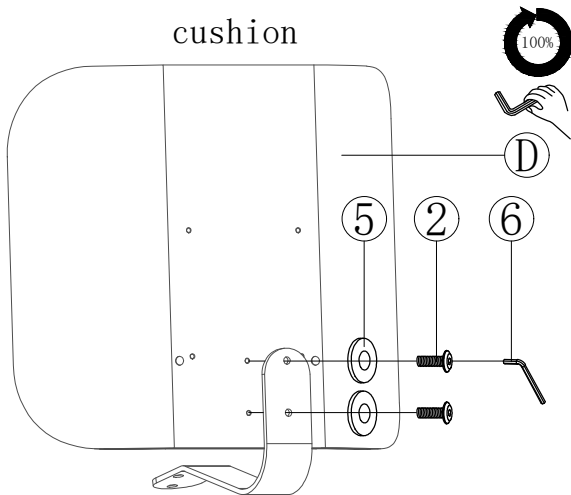
Step 6

Tighten the previously locked screws again to 100% tightness.



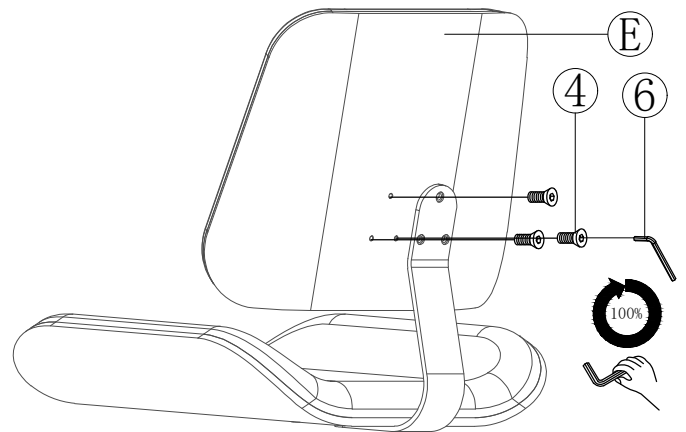
Step 7

cushion



Step 8

backrest



Step 9



As shown in the figure, install the two longer chair legs (B) against the front of the bar chair.

