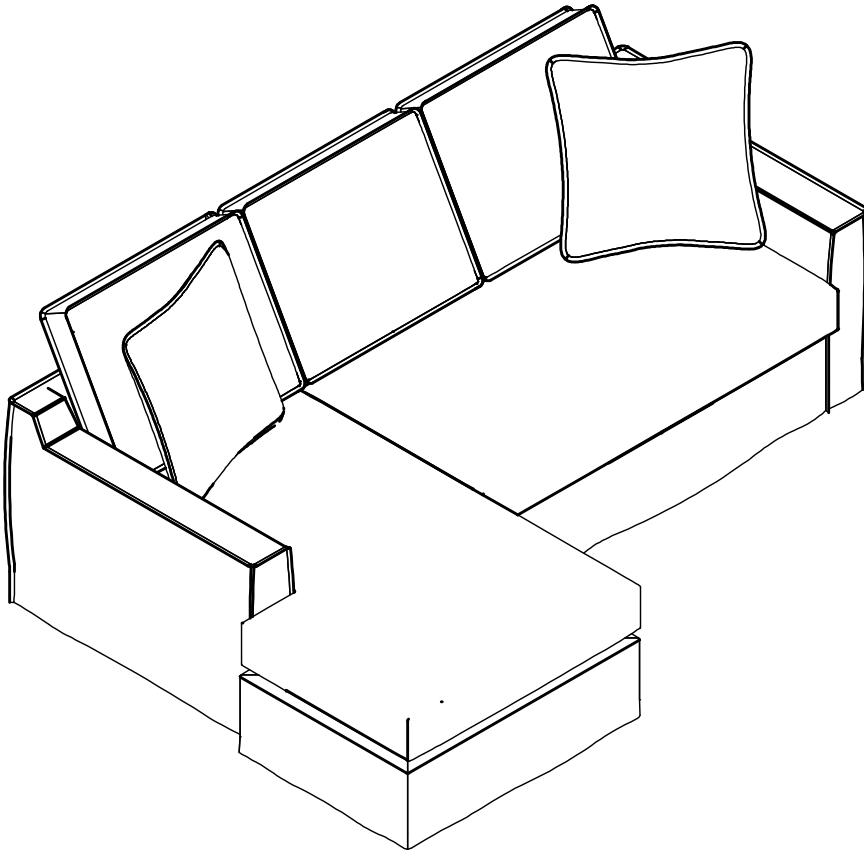
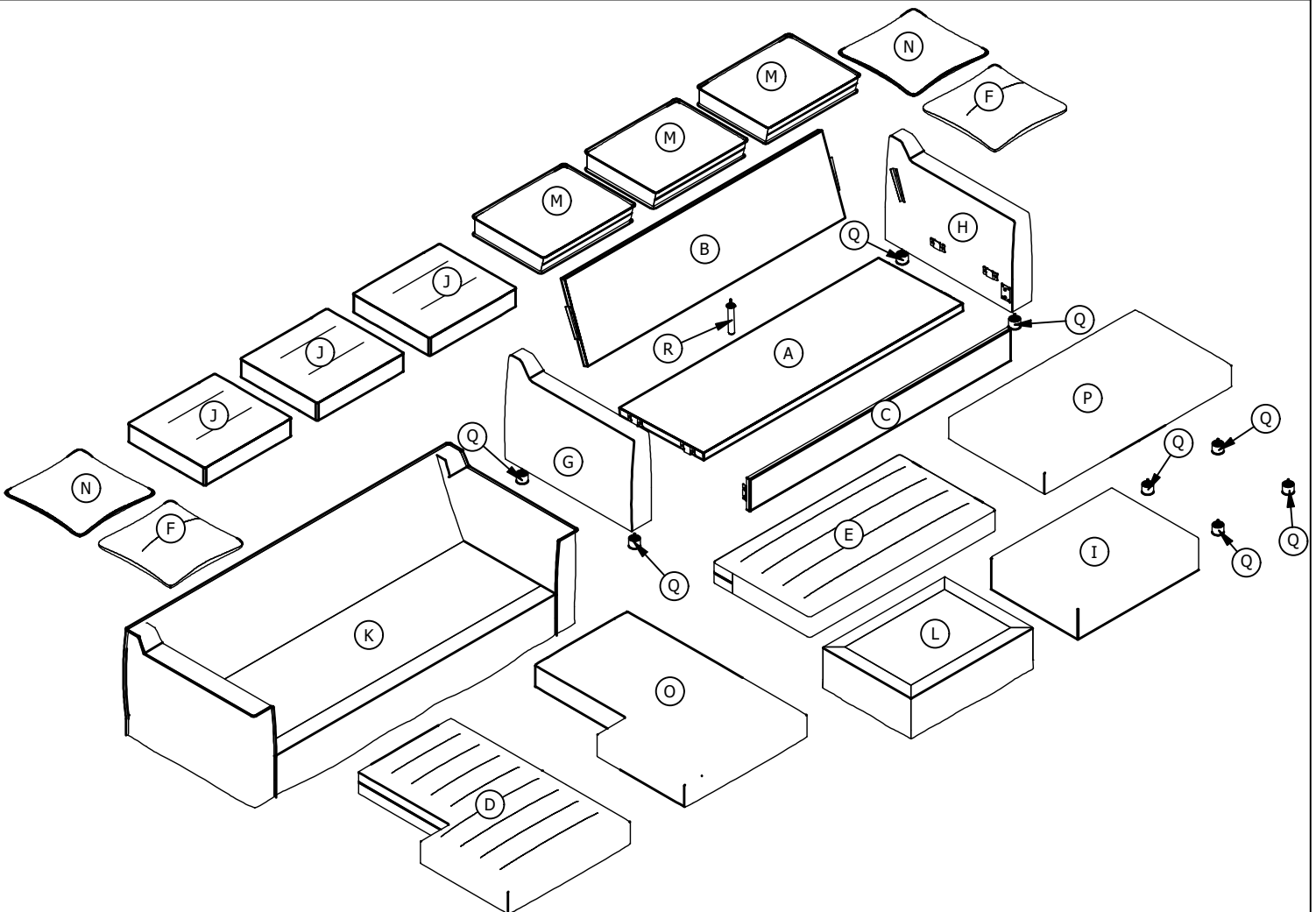


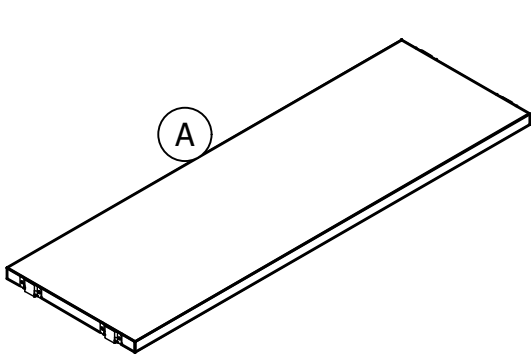
# Assembly Instruction



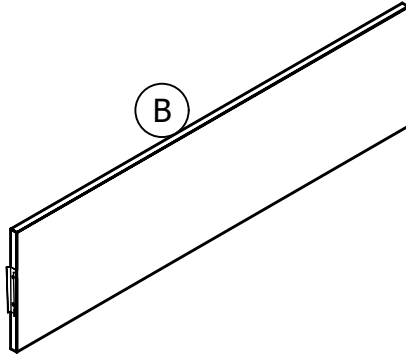
## PARTS



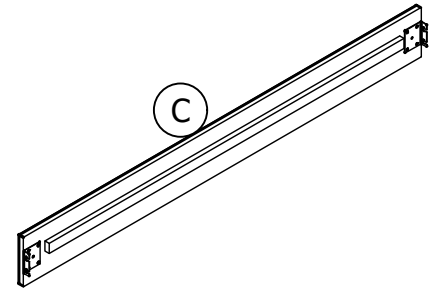
# PARTS LIST - CARTON A



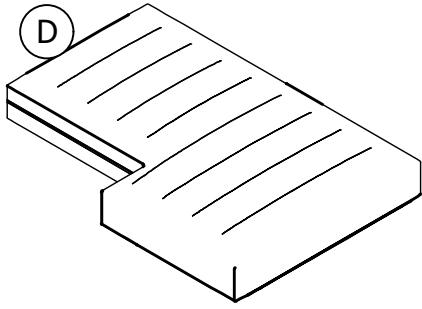
Seat Panel X 1 PC



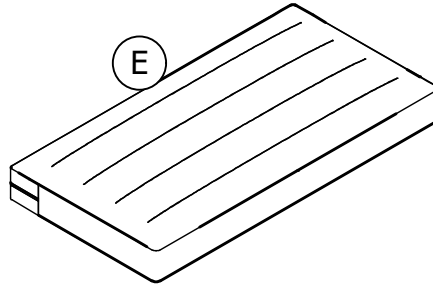
Back X 1 PC



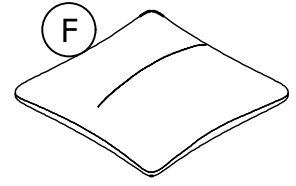
Front Rail X 1 PC



Chaise Cushion X 1 PC

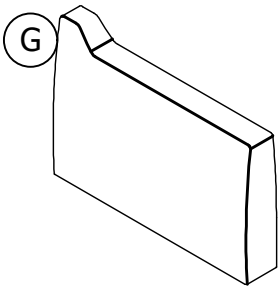


Lovestseat Cushion X 1 PC

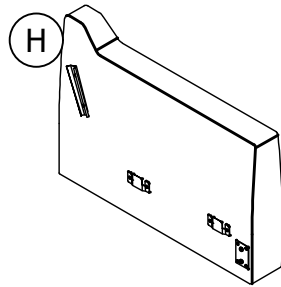


Pillow X 2 PCS

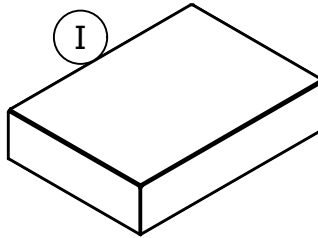
# PARTS LIST - CARTON B



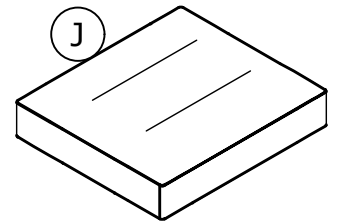
Armrest X 1 PC



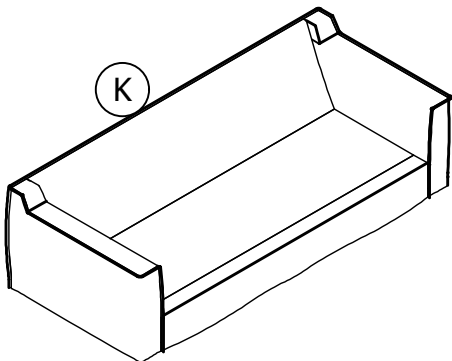
Armrest X 1 PC



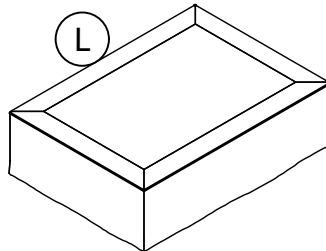
Ottoman X 1 PC



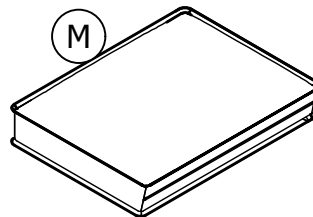
Back Cushion X 3 PCS



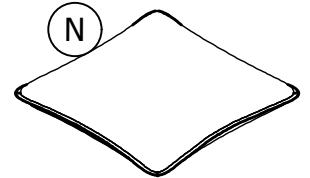
Sofa Slipcover X 1 PC



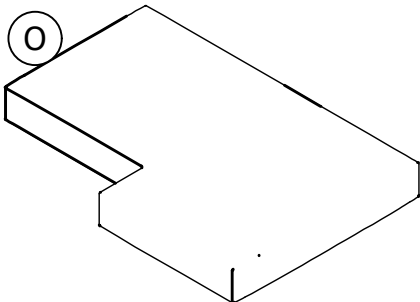
Ottoman Slipcover X 1 PC



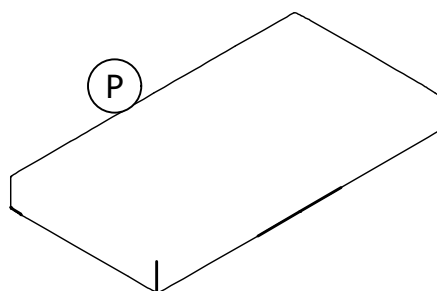
Back Slipcover X 3 PCS



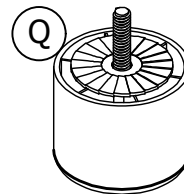
Pillow Slipcover X 2 PCS



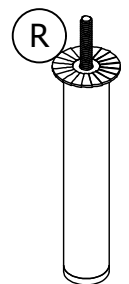
Chaise Slipcover X 1 PC



Lovestseat Slipcover X 1 PC



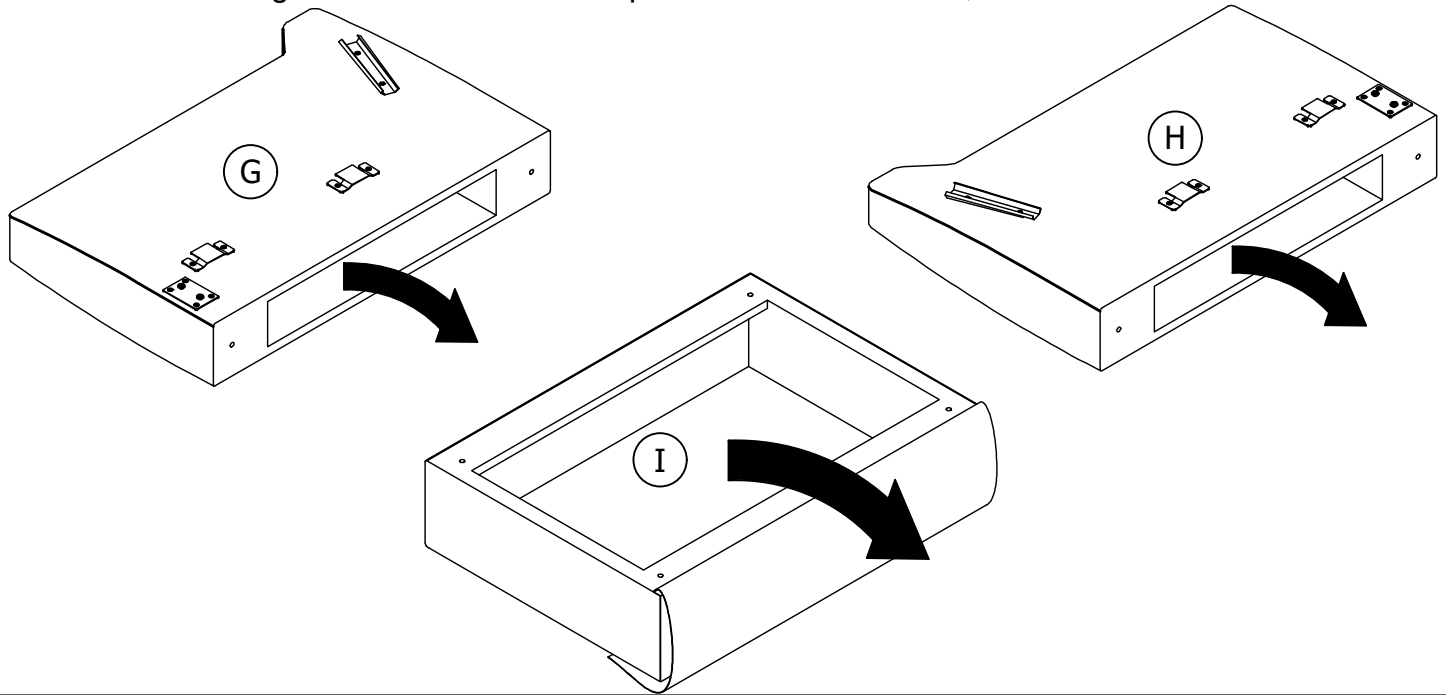
Legs X 8 PCS



Support Leg X 1 PC

Place all parts on a clean, smooth surface.

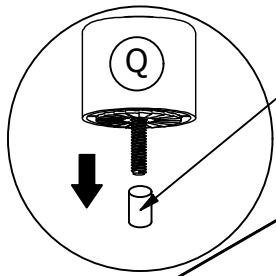
**STEP 1:** Something will be found in the compartment under the seat, as shown.



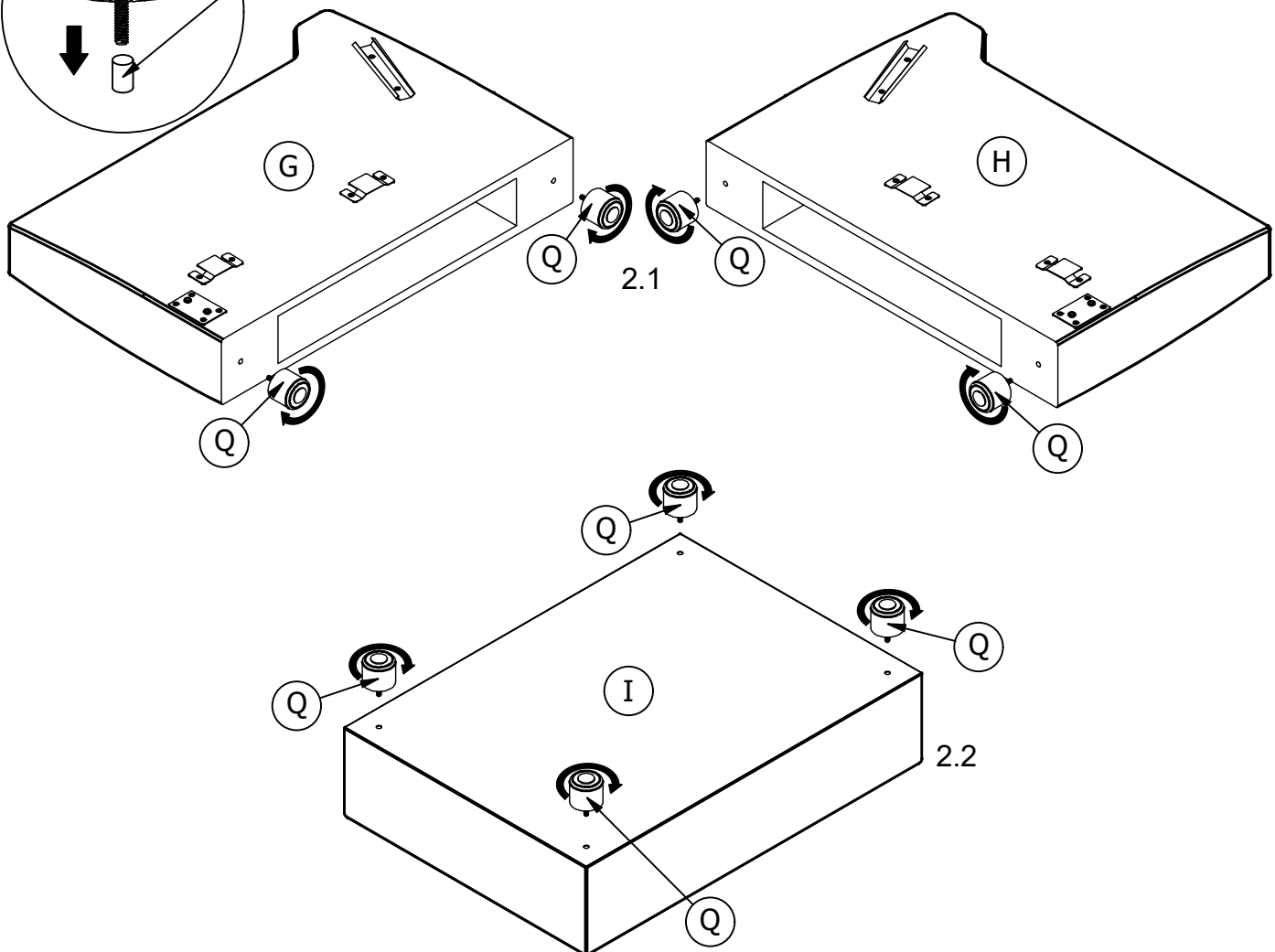
**STEP 2:**

2.1 Manually screw Legs **Q** x 4 to Armrest **G** & **H**.

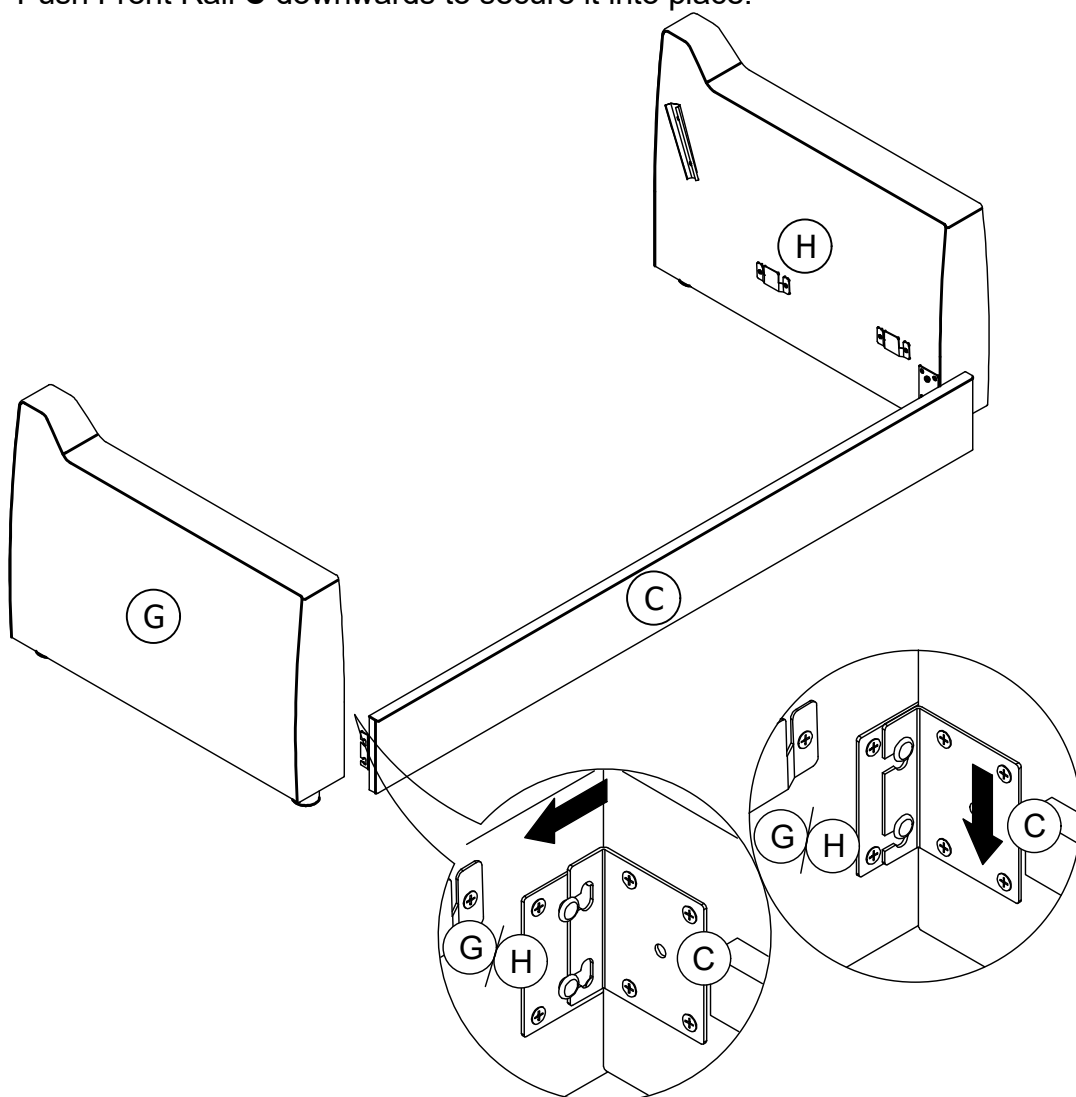
2.2 Manually screw Legs **Q** x 4 to Ottoman **I**, as shown.



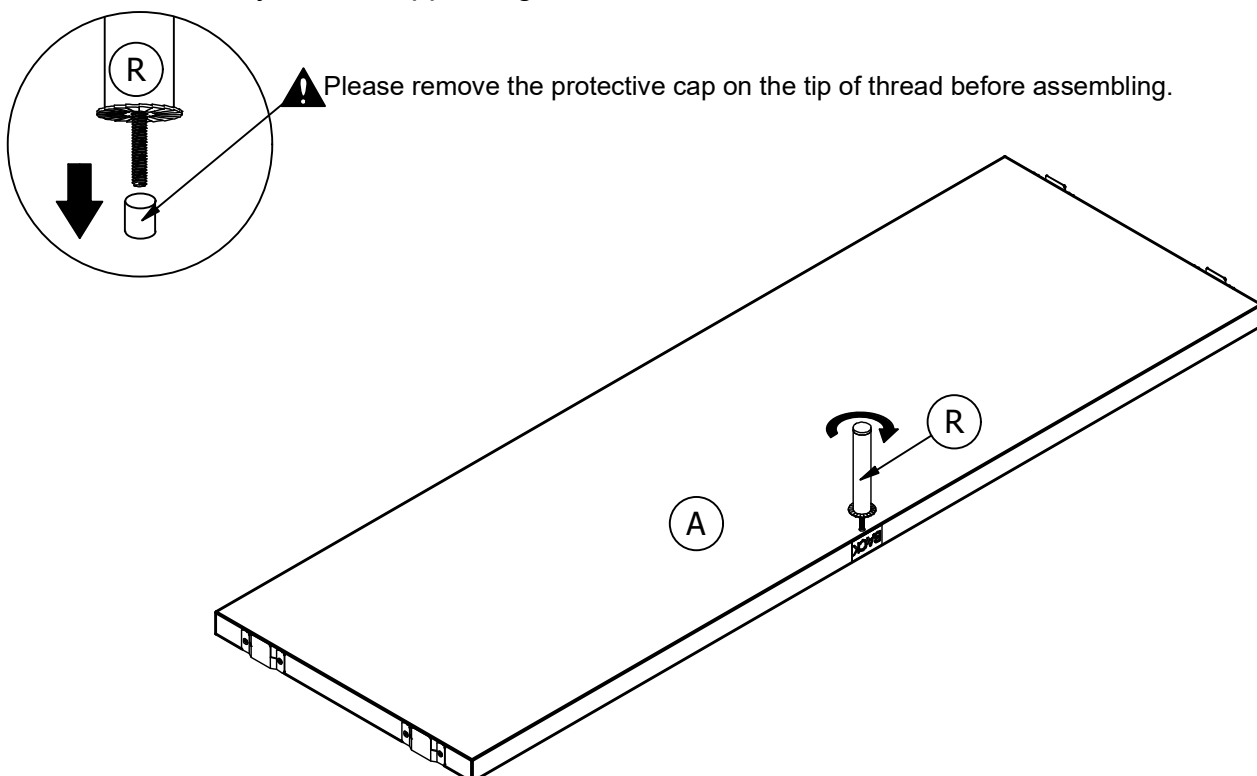
⚠ Please remove the protective cap on the tip of thread before assembling.



**STEP 3:** Attach Front Rail **C** to Armrests **G** & **H** by inserting the brackets on Front Rail **C** into the metal plate on Armrests **G** & **H**, as shown.  
Push Front Rail **C** downwards to secure it into place.

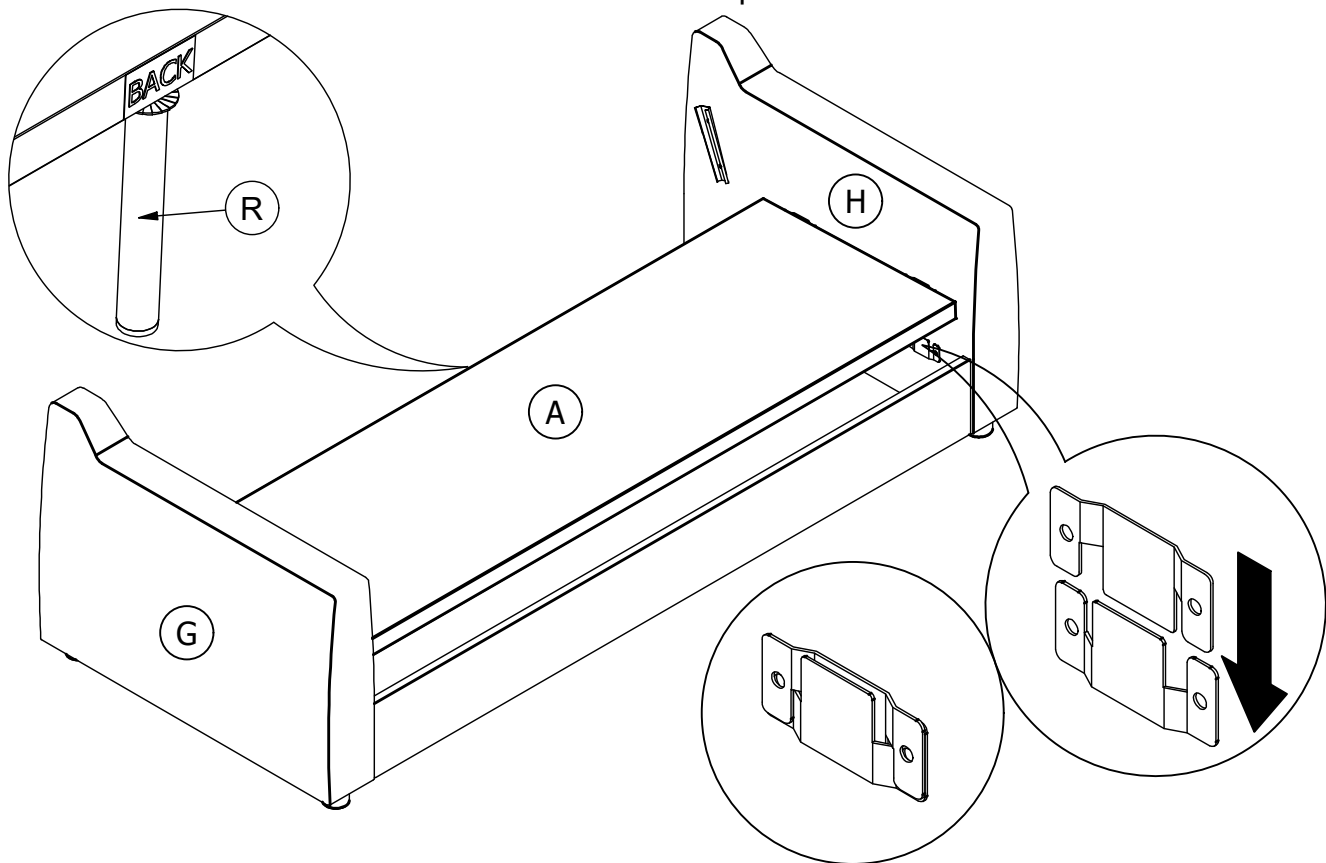


**STEP 4:** Manually screw Support leg **R** to Seat Panel **A**, as shown.



**STEP 5:** Attach Seat Panel **A** to Armrests **G** & **H** by inserting the metal brackets on Seat Panel **A** into the metal glides on Armrests **G** & **H**, as shown.

Push Seat Panel **A** with a downward force to secure it into place.

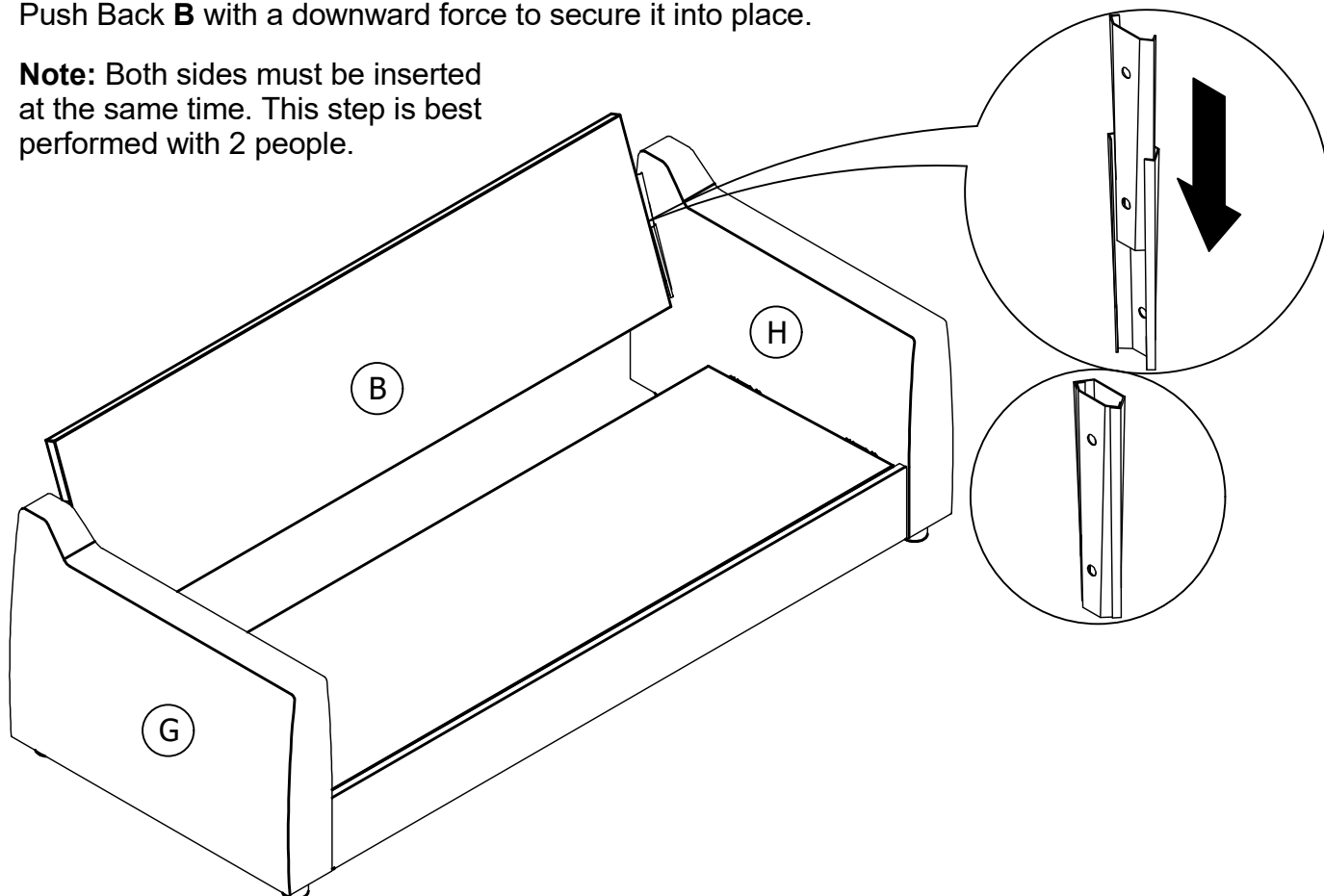


**STEP 6:**

Attach Back **B** to Armrests **G** & **H** by inserting the brackets on Back **B** into the metal glides on Armrests **G** & **H**.

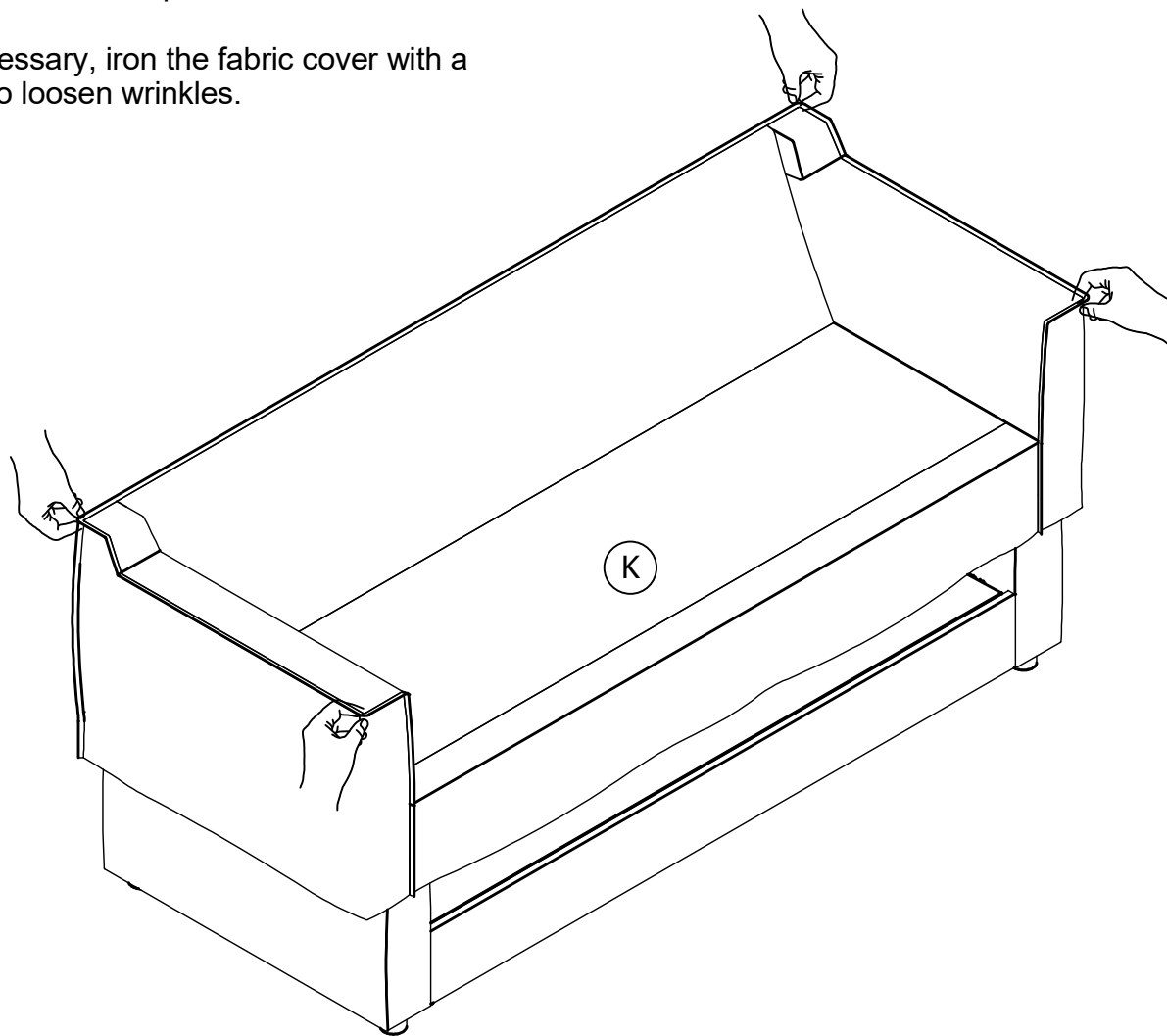
Push Back **B** with a downward force to secure it into place.

**Note:** Both sides must be inserted at the same time. This step is best performed with 2 people.



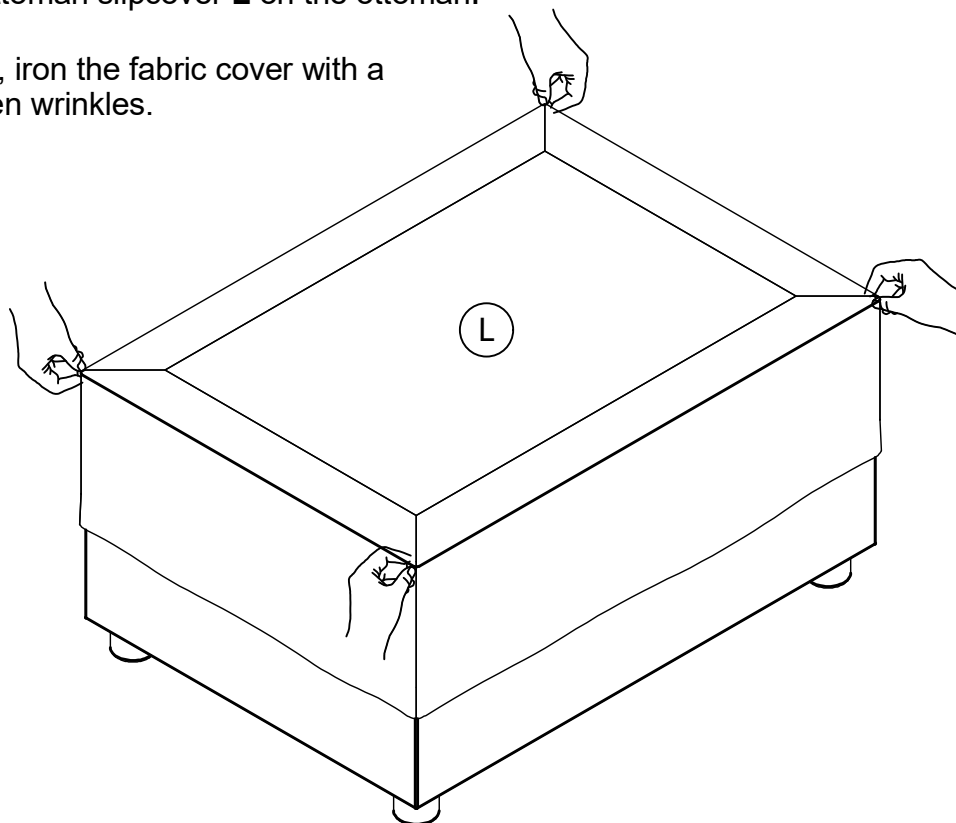
**STEP 7:** Put the sofa slipcover **K** on the sofa.

**Note:** If necessary, iron the fabric cover with a steam iron to loosen wrinkles.



**STEP 8:** Put the ottoman slipcover **L** on the ottoman.

**Note:** If necessary, iron the fabric cover with a steam iron to loosen wrinkles.



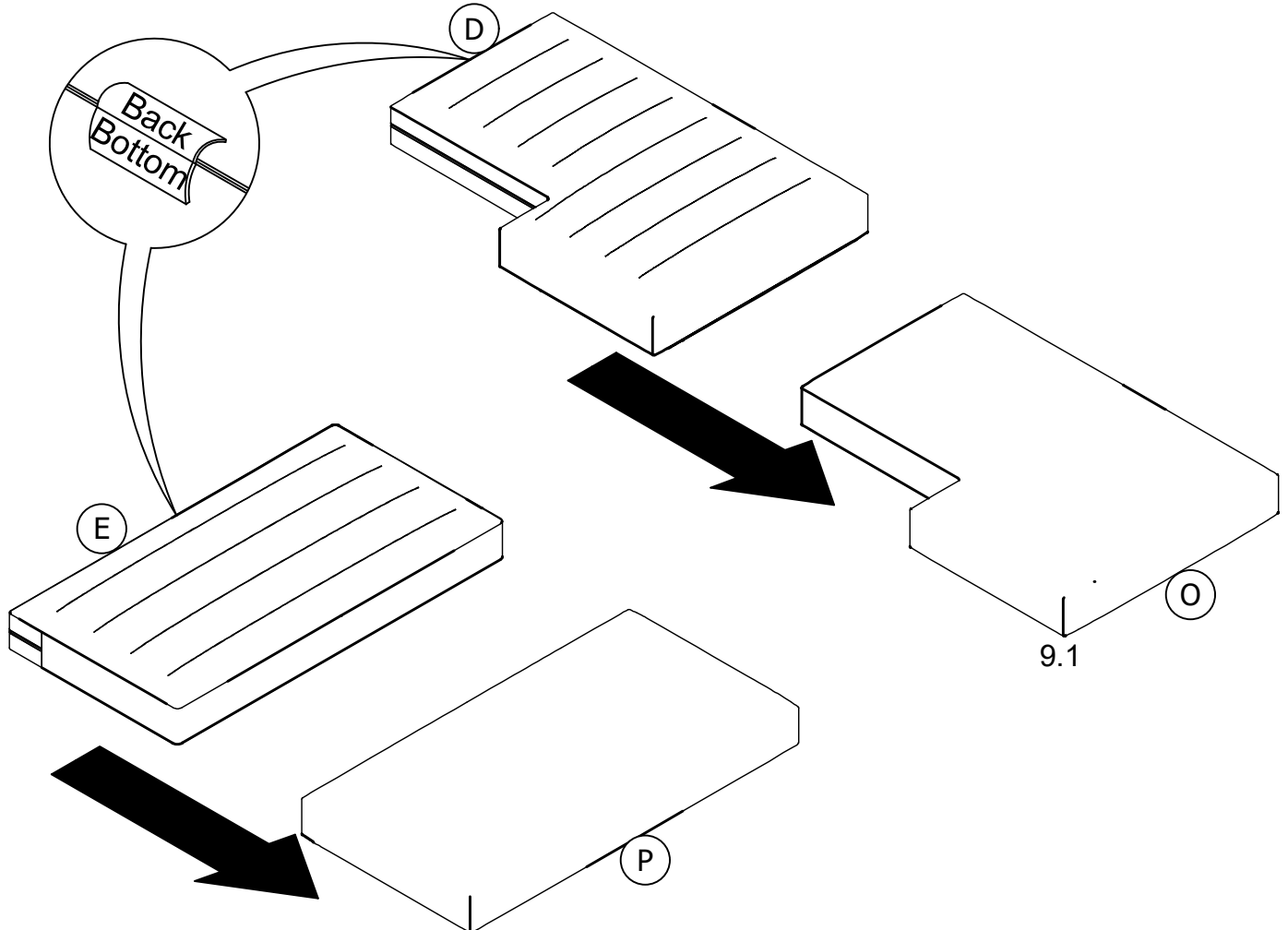
**Step 9:** Remove the cushions from their vacuum sealed package.

9.1 Open the zipper on Chaise Slipcover **O** and insert Chaise Cushion **D** into Chaise Slipcover **O**, close the zipper.

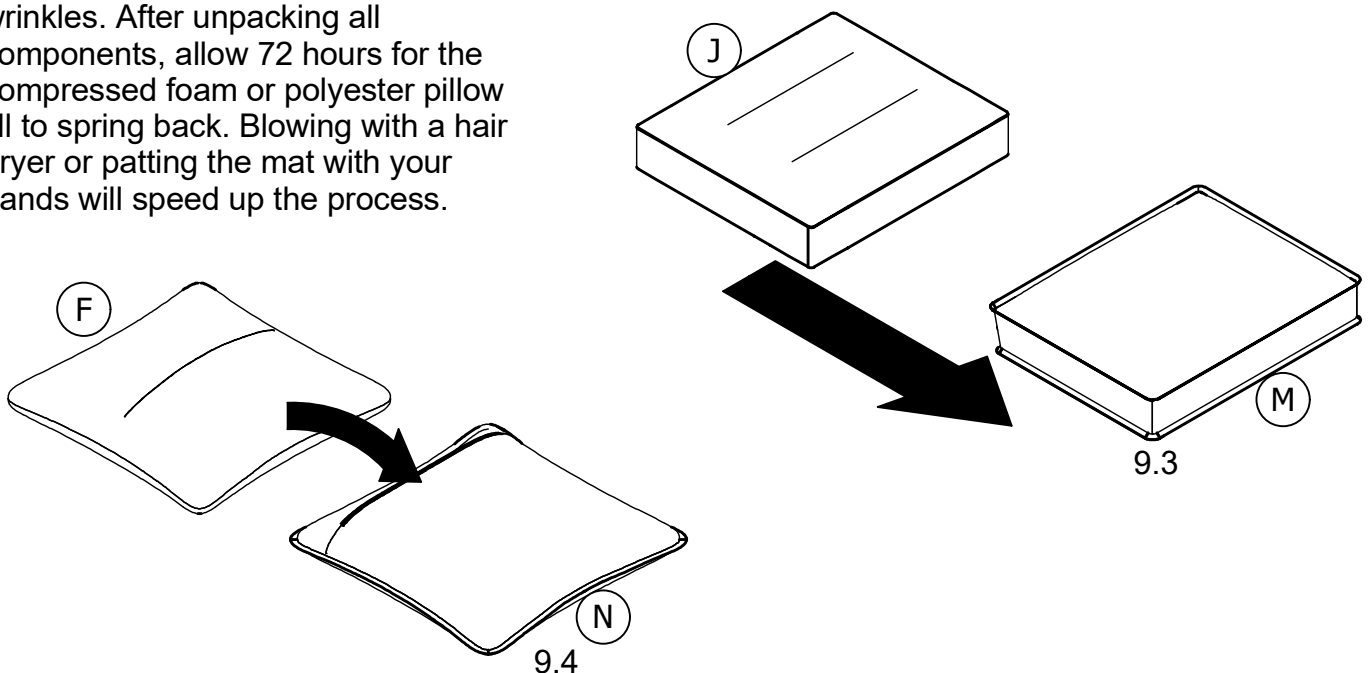
9.2 Open the zipper on Loveseat Slipcover **P** and insert Loveseat Cushion **E** into Loveseat Slipcover **P**, close the zipper.

9.3 Open the zipper on Back Slipcover **M** and insert Back Cushion **J** x 3 into Back Slipcover **M** x 3, close the zipper.

9.4 Open the zipper on Pillow Slipcover **N** and insert Pillow **F** x 2 into Pillow Slipcover **N** x 2, close the zipper.



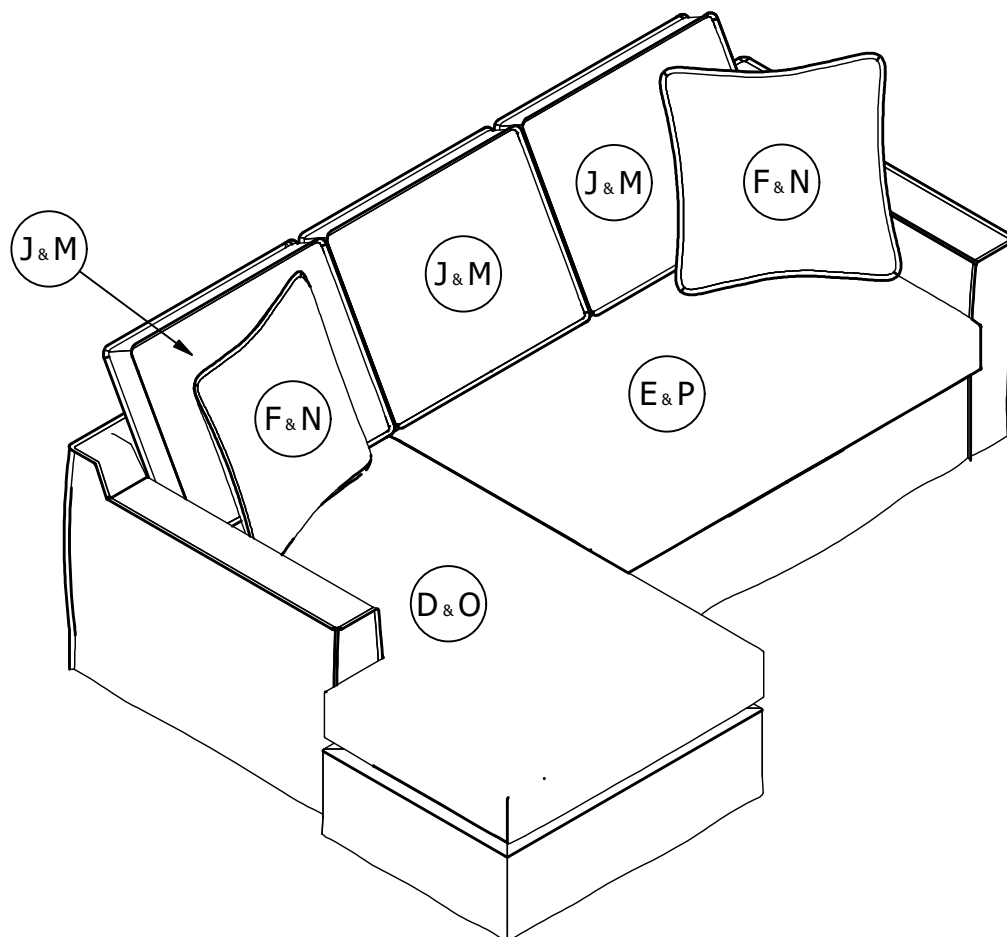
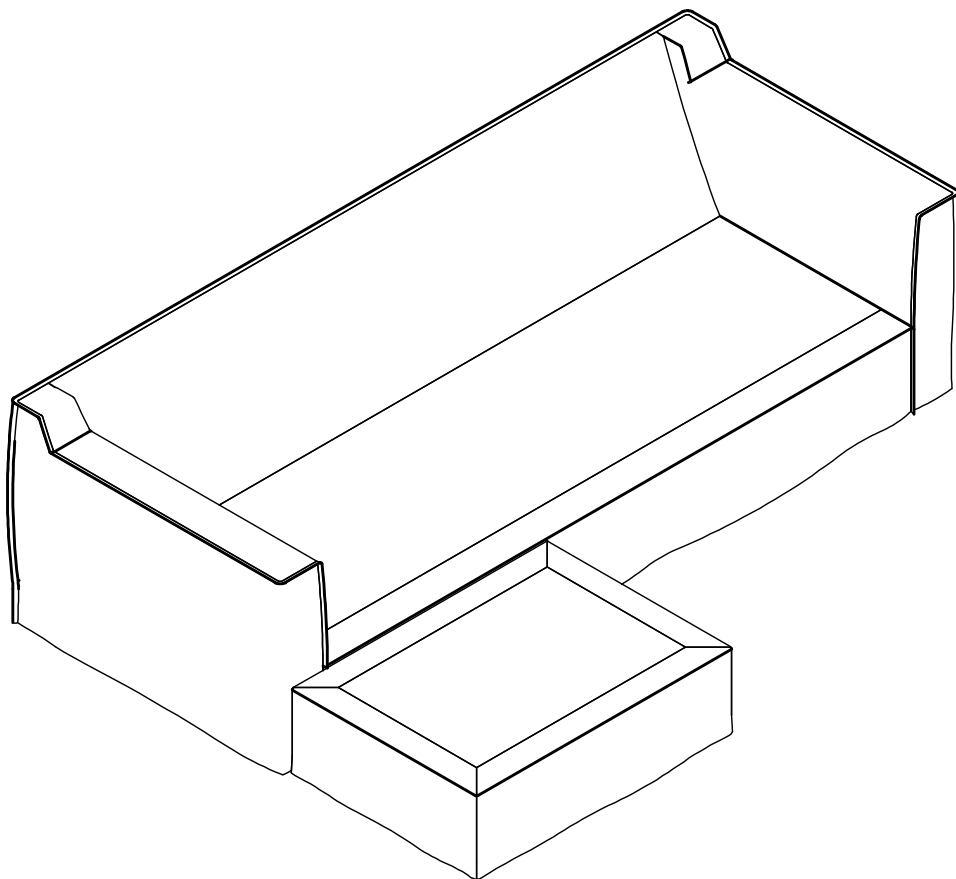
**NOTE:** If necessary, iron the fabric cover with a steam iron to loosen wrinkles. After unpacking all components, allow 72 hours for the compressed foam or polyester pillow fill to spring back. Blowing with a hair dryer or patting the mat with your hands will speed up the process.



**Step 10:**

10.1 Place ottoman in front of the assembled sofa.

10.2 Place ( **D & O** ), ( **E & P** ), ( **J & M** ) x 3 and ( **F & N** ) x 2 onto the sofa.



# Helpful Hints

- Move your new furniture carefully, with two people lifting and carrying the unit to its new location.
- Your furniture can be disassembled and reassembled to move.
- Clean the product with a soft damp cloth. DO NOT use harsh chemicals or abrasive cleaners.
- For further information please contact at [sales4@jsanyee.com](mailto:sales4@jsanyee.com)

