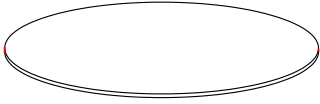
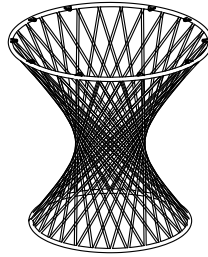


Product Assembly Instructions

PART LIST



A : TABLE TOP x1



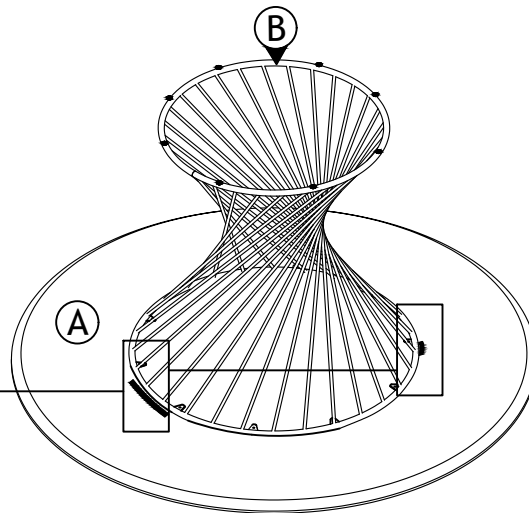
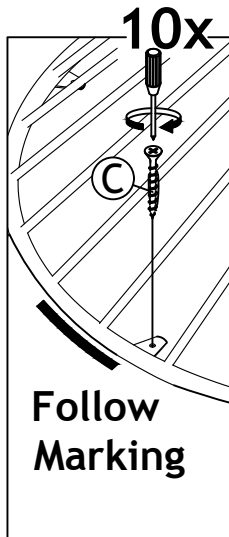
B : METAL LEG x1

HARDWARE LIST

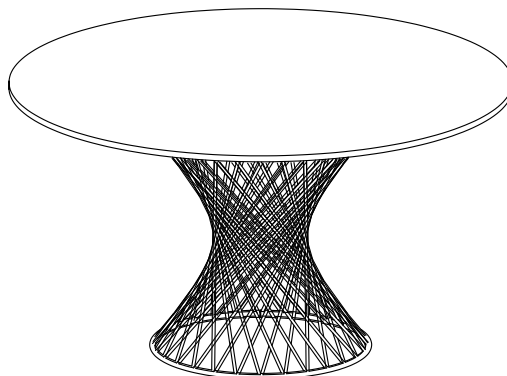


C : PAN HEAD SCREW M4 x 16MM x10

STEP 1



STEP 2

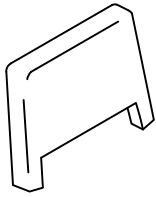


ASSEMBLY COMPLETED

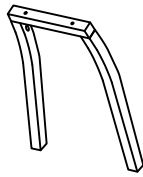
Product Assembly Instructions

DINING CHAIR

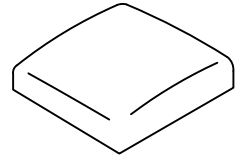
PART LIST



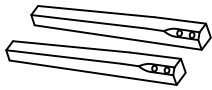
A : BACKREST x1



B : BACK LEG x1



C : SEAT CUSHION x1



D : FRONT LEG (L &R) x2

HARDWARE LIST



E : JCBC SCREW M6 x 45mm x12



F : SPRING WASHER 1/4" x12

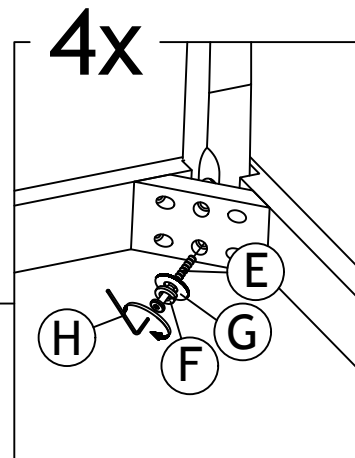
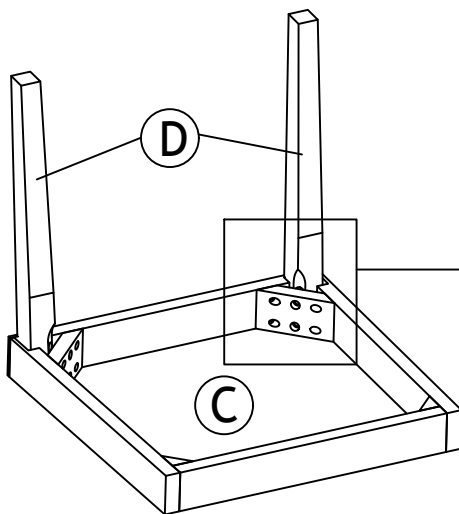


G : FLAT WASHER 1/4" x8

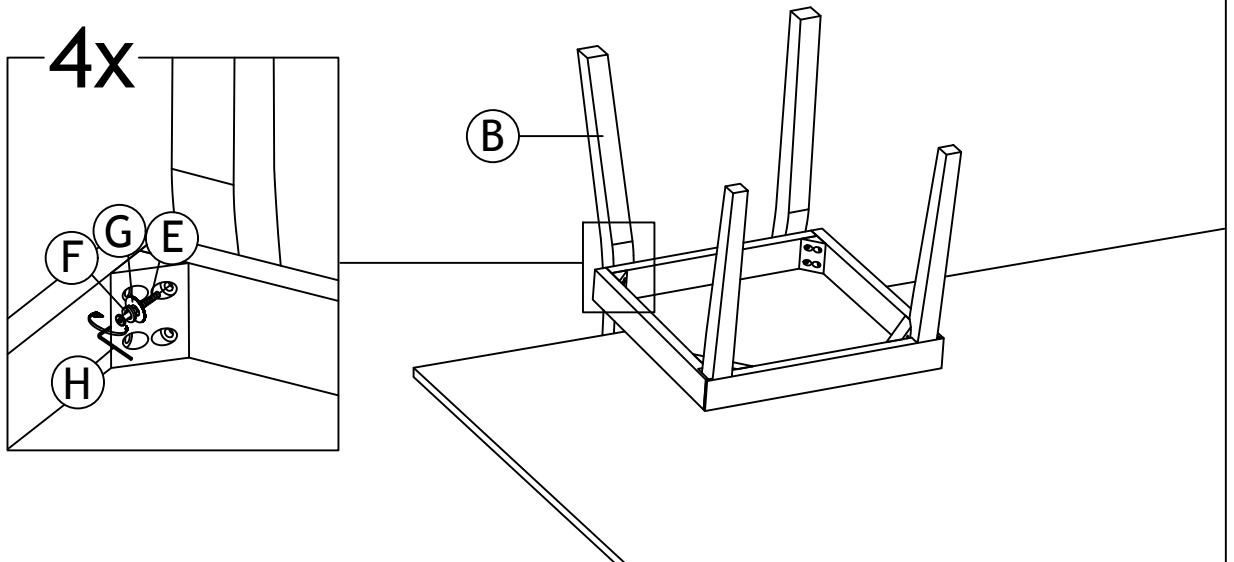


H : M4 ALLEN KEY (BALL SHAPE) LONG x1

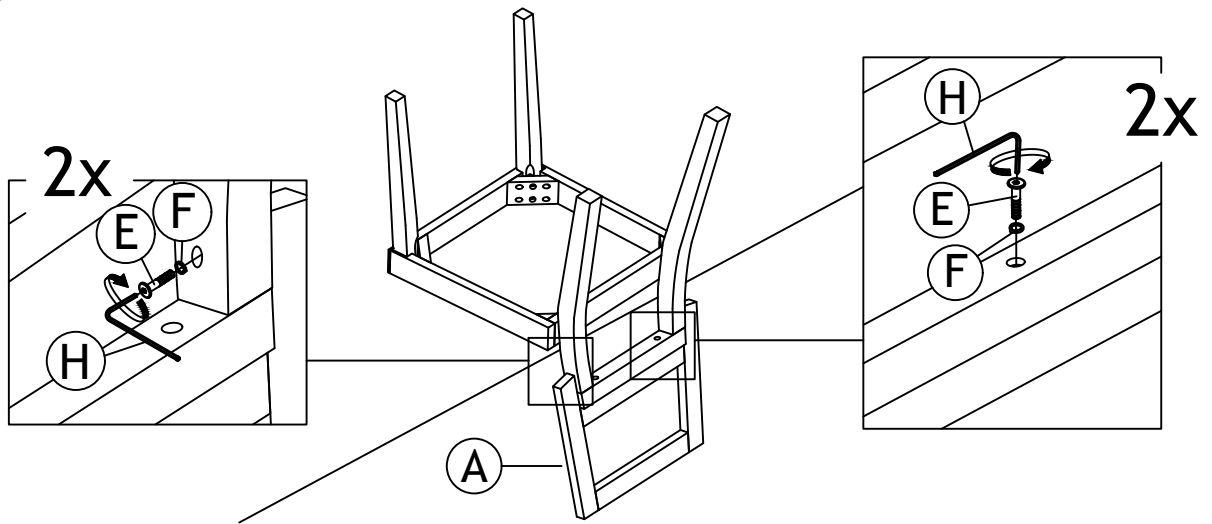
STEP 1



STEP 2



STEP 3



STEP 4

