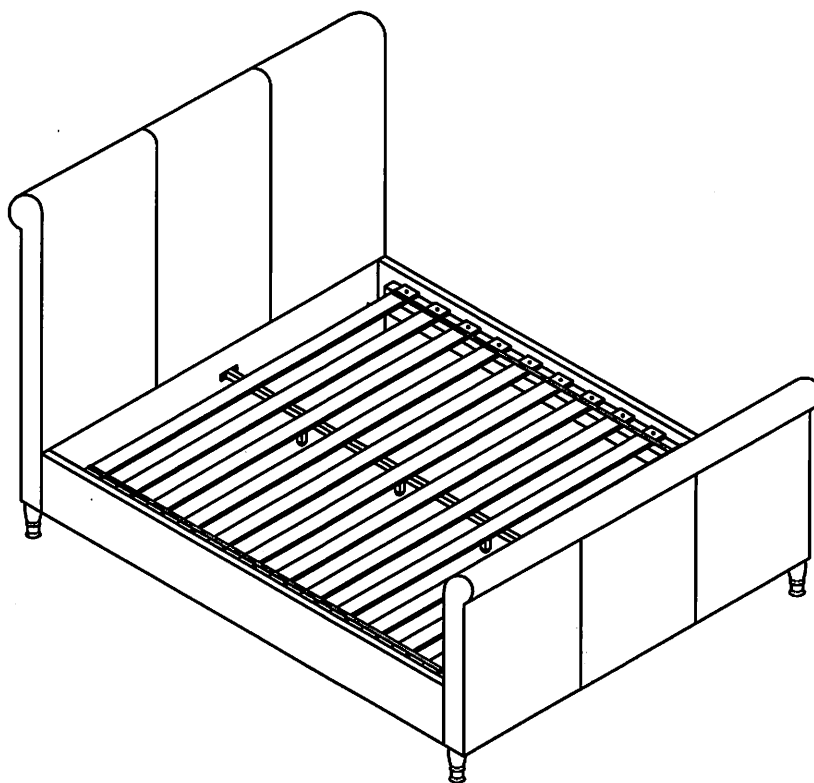


# ASSEMBLY INSTRUCTIONS

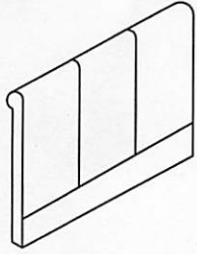
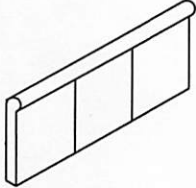
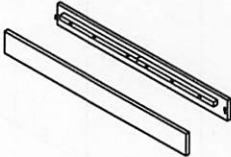

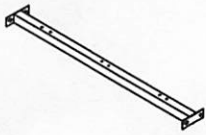

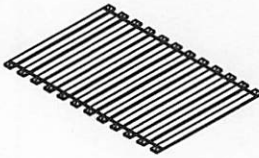
## BED0017-FULL/QUEEN

**IMPORTANT :PLACE ALL PARTS ON A CLEAN AND SMOOTH SURFACE SUCH AS A RUG OR CARPET TO AVOID THE PARTS FROM BEING SCRATCHED.**




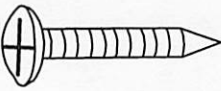



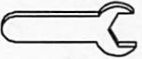
**KINDLY FOLLOW THE ASSEMBLY INSTRUCTIONS STEP.  
DO NOT TIGHTEN ALL SCREWS UNTIL THE BED IS FULLY SET-UP.**



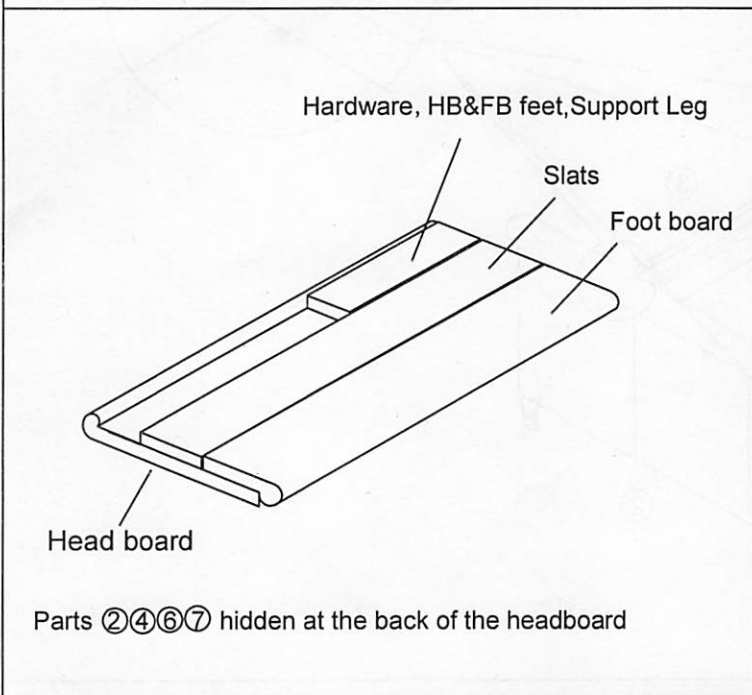
# PARTS LIST:

<p>① Head board=1pc</p> 	<p>② Foot board=1pc</p> 	<p>③ Side Rail=2pcs</p> 	<p>④ Support Leg=3pcs</p> 
<p>⑤ Support Rails=1pc</p> 	<p>⑥ HB&amp;FB feet=4pcs</p> 	<p>⑦ Slats=12pcs</p> 	

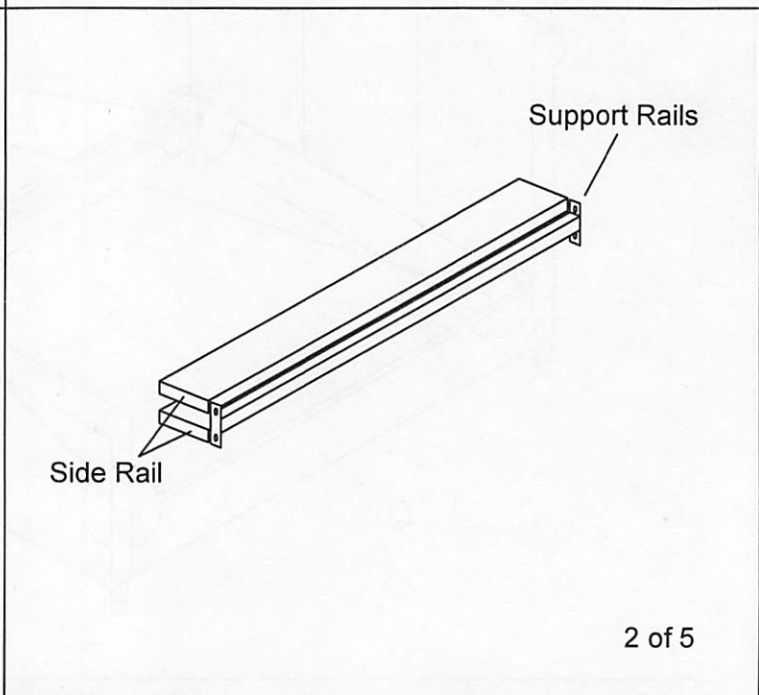
# HARDWARE LIST

<p>Ⓐ Allen=1pc</p> 	<p>Ⓑ Bolt 5/16*1-1/2"=12pcs</p> 	<p>Ⓒ Bolt 5/16*2"=6pcs</p> 	<p>Ⓓ Screw 10mm x1-1/4"=24pcs</p> 
<p>Ⓔ Flat Washer 5/16*19=48pcs</p> 	<p>Ⓕ Spring Washer =12pcs</p> 	<p>Ⓖ Nut=6pcs</p> 	<p>Ⓗ Wrench=1pc</p> 

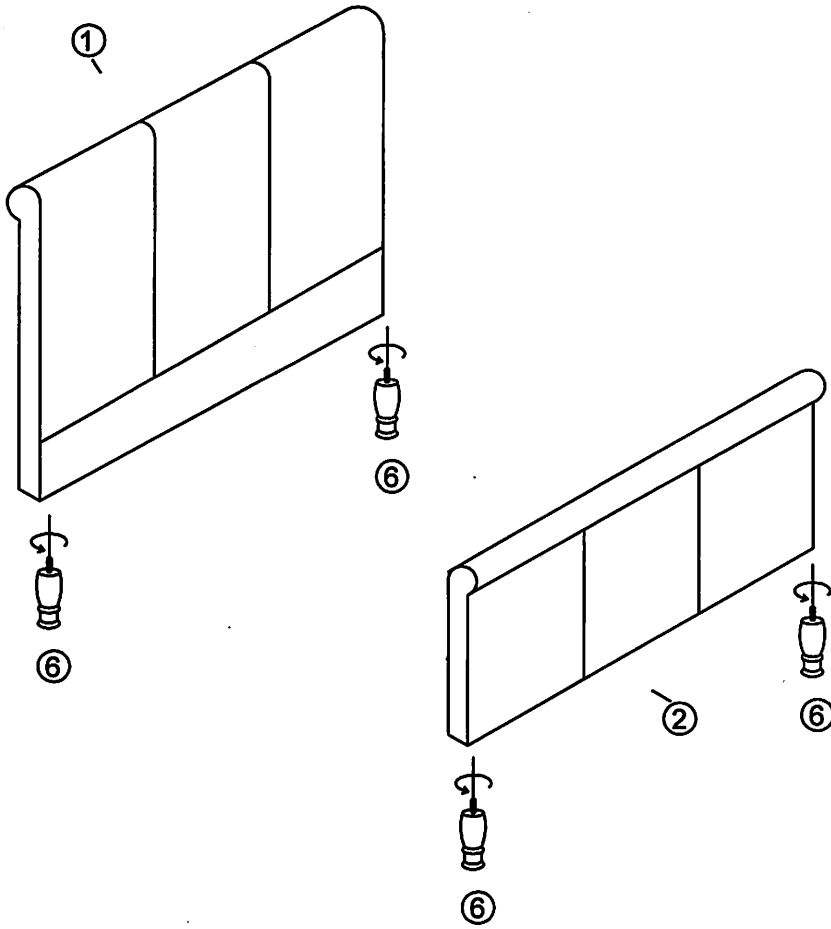
## BOX 1/2 CONTENTS



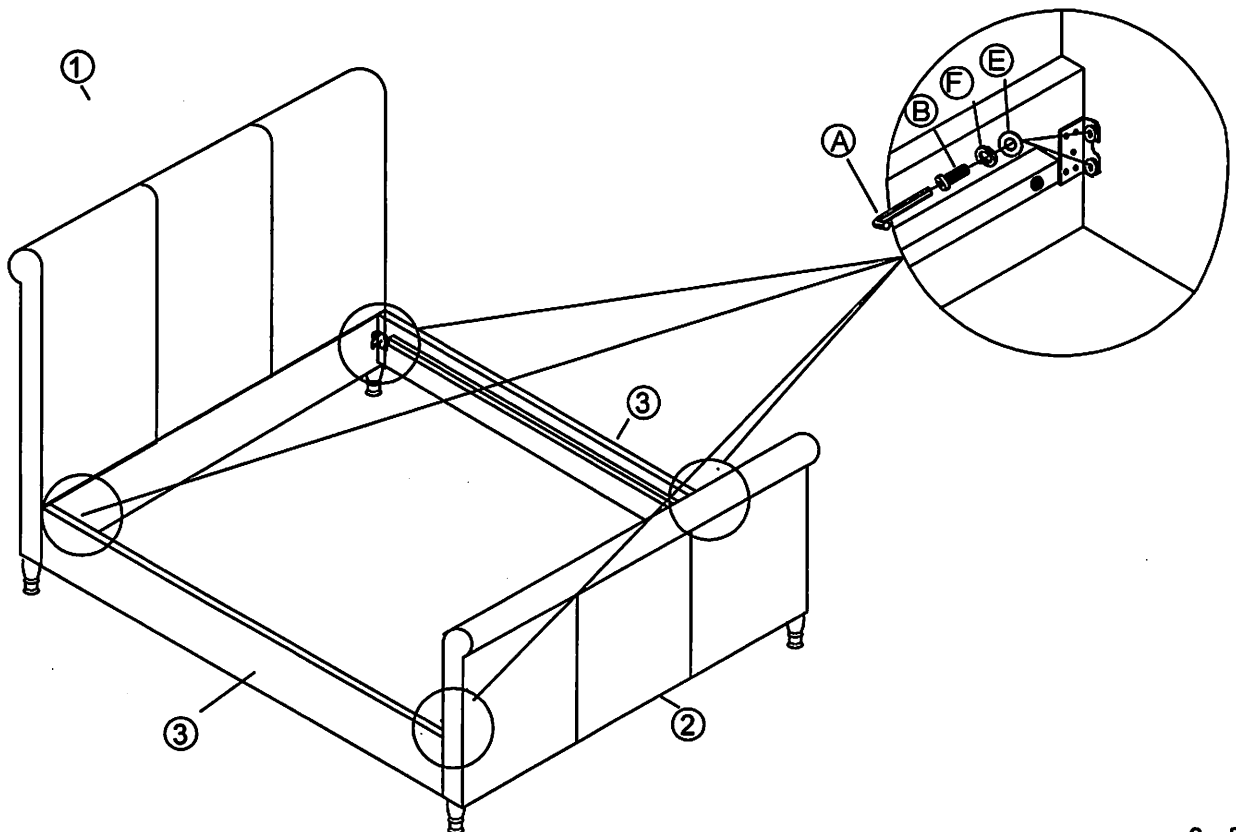
## BOX 2/2 CONTENTS



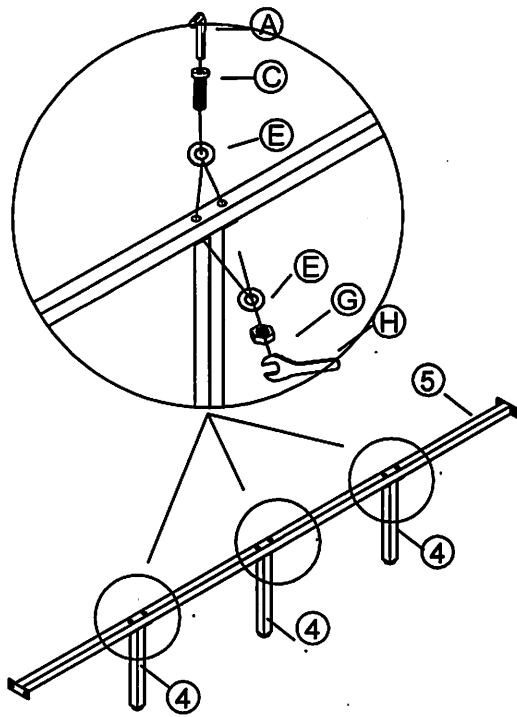
STEP 1



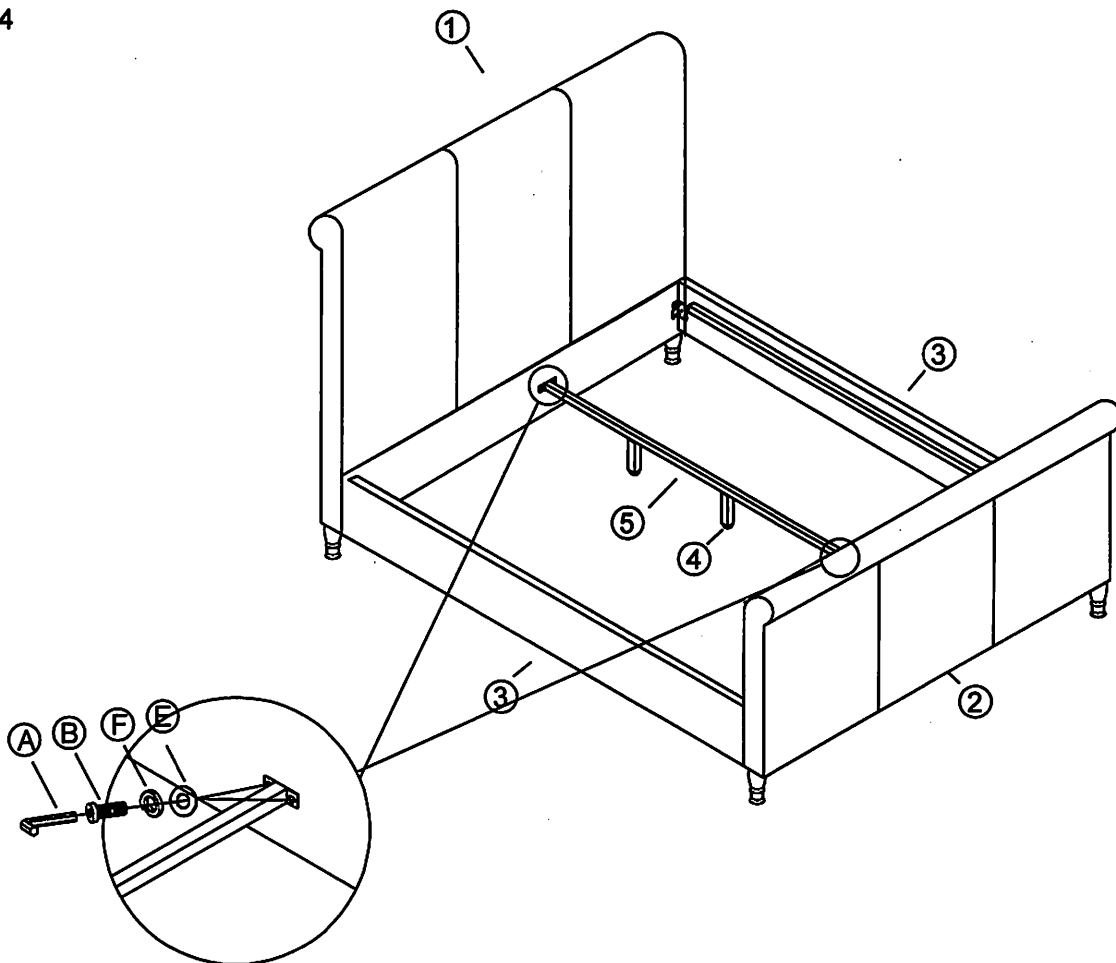
STEP 2



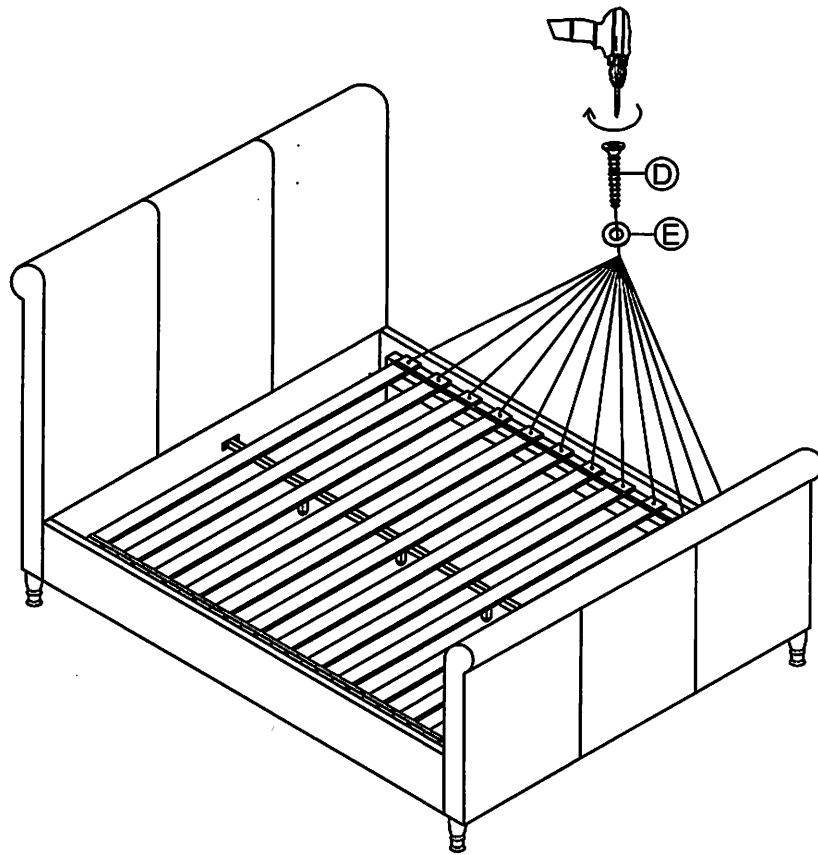
STEP 3



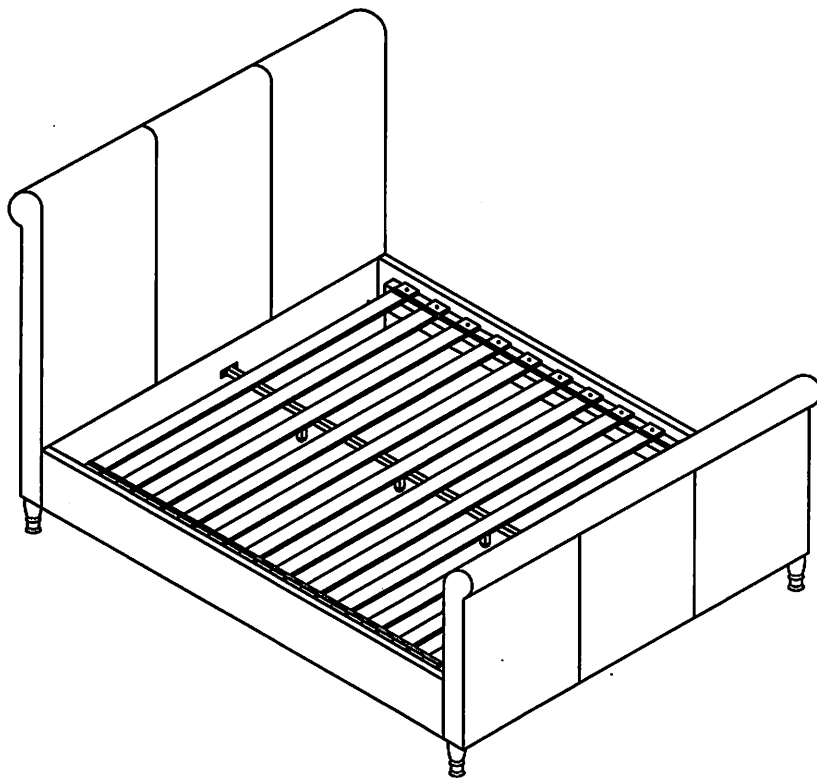
STEP 4



STEP 5



STEP 6



FINAL