

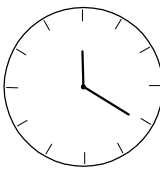
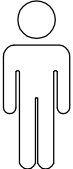


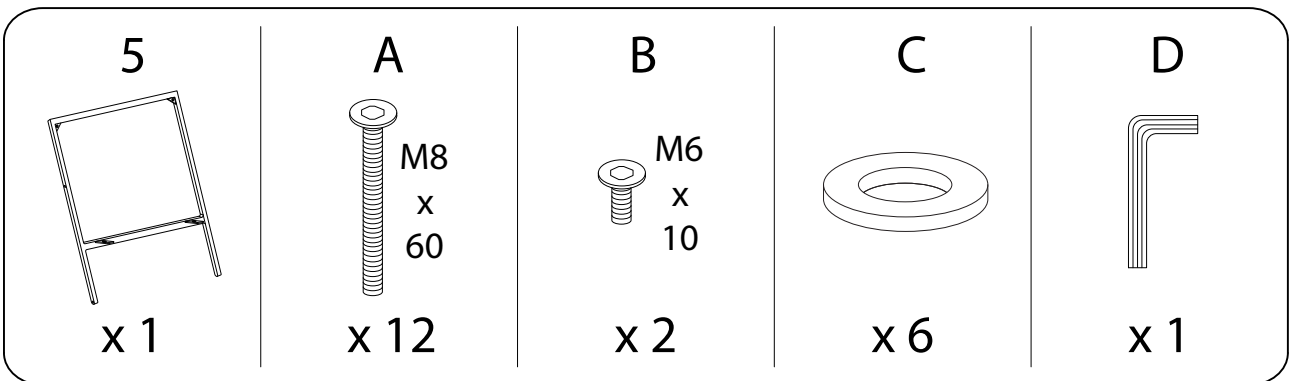
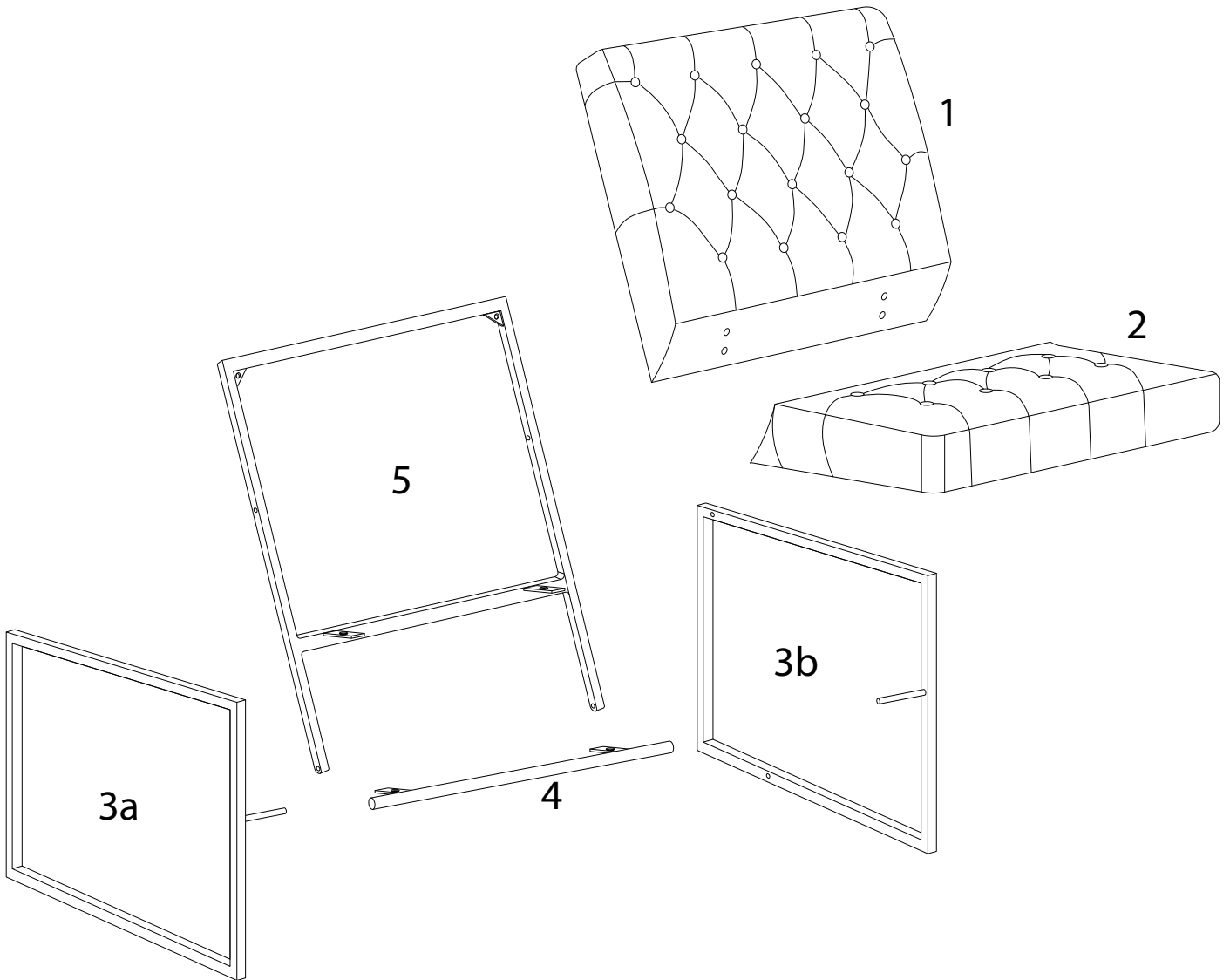
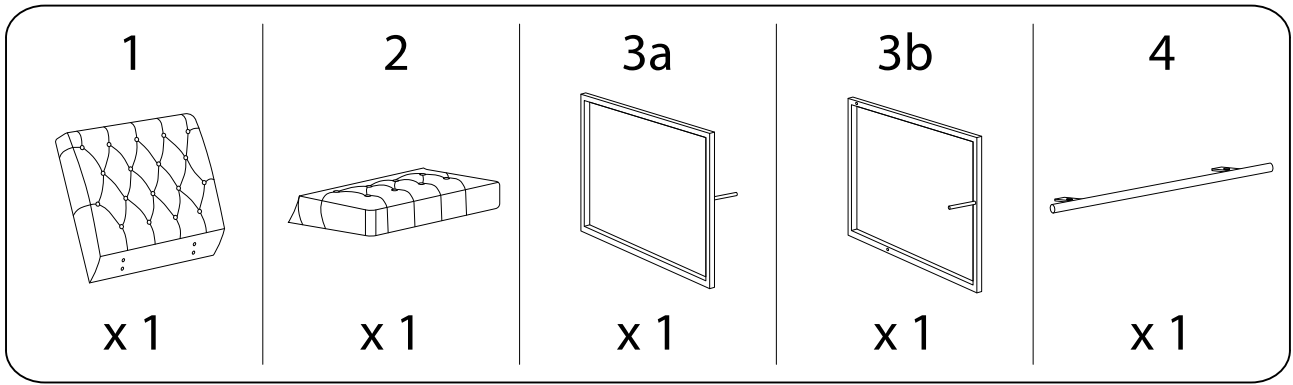
Assembly instructions for the chair, including warnings, time, and person requirements.

Warning 1: Do not use a power drill. Use an Allen key (shown in a circle) to tighten the screws. 

Warning 2: Do not place the chair on a soft surface like a rug. Place it on a hard, flat surface. 

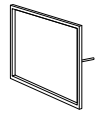
Time: 20' 

Person: 1 



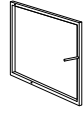
1

3a



x 1

3b



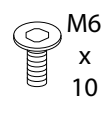
x 1

4



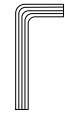
x 1

B

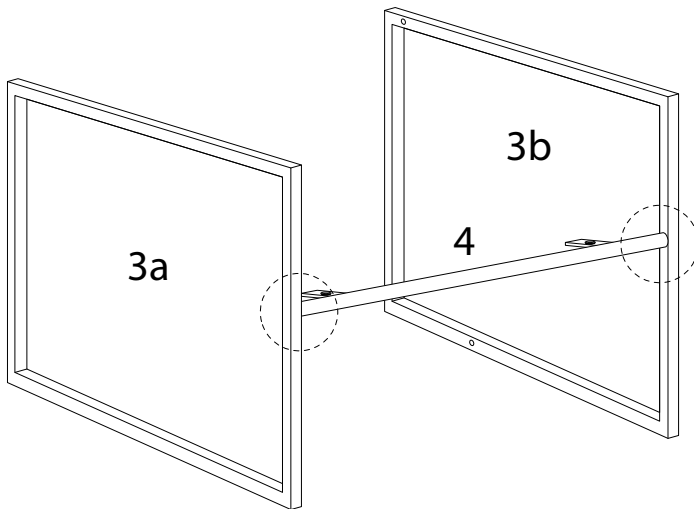


x 2

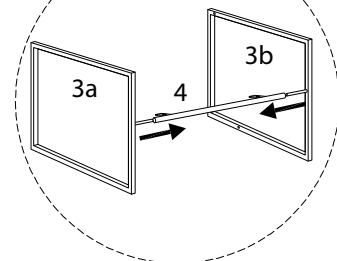
D



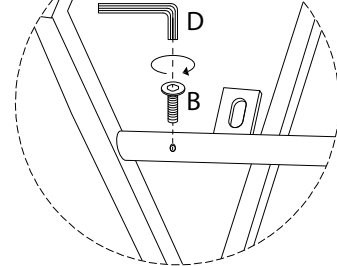
x 1



1a



1b



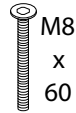
2

5



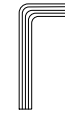
x 1

A

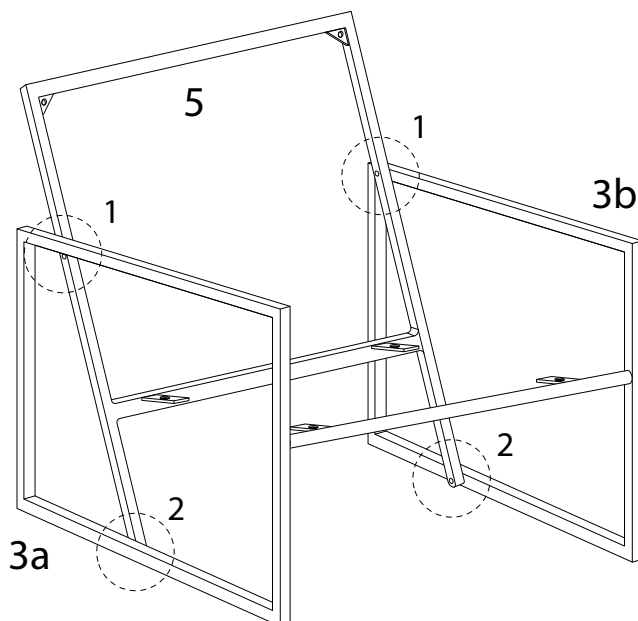


x 4

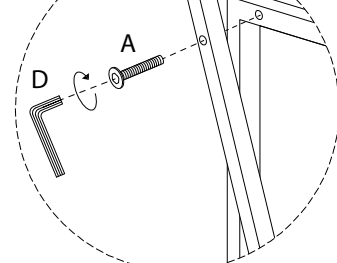
D



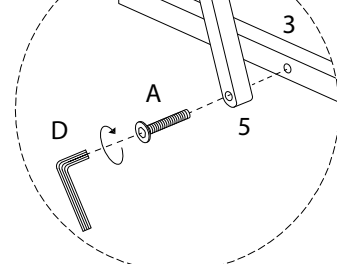
x 1



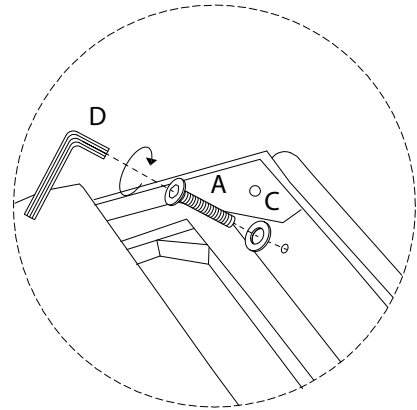
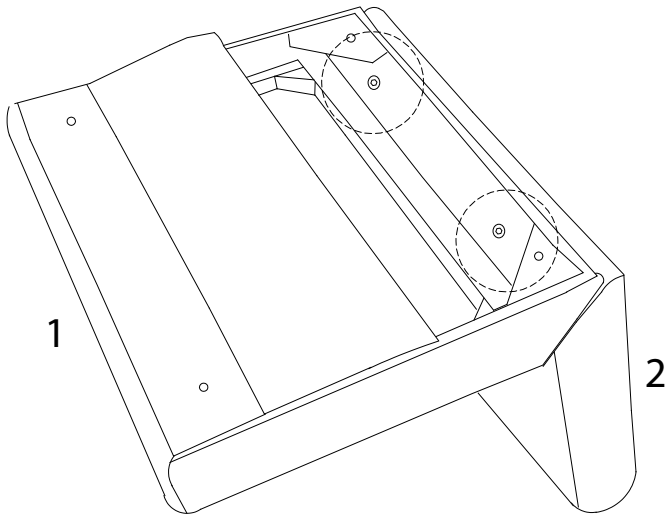
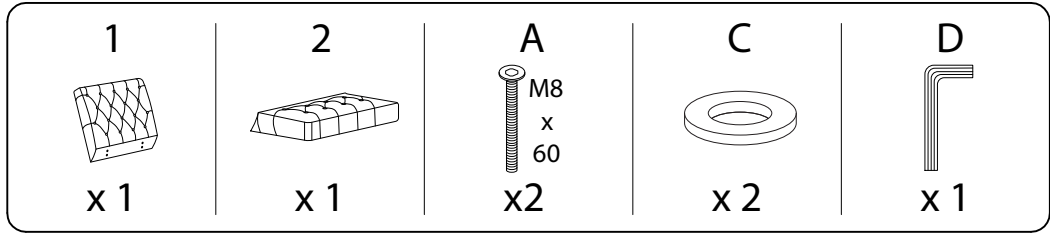
1



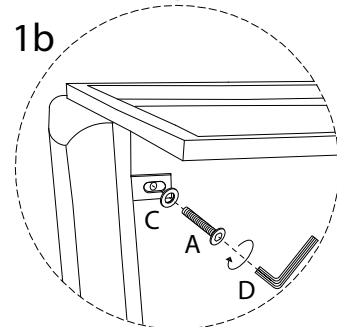
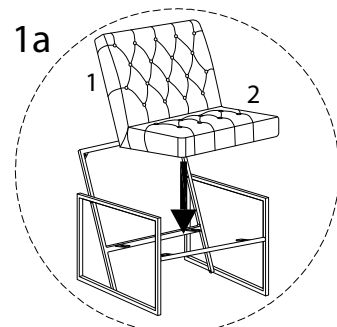
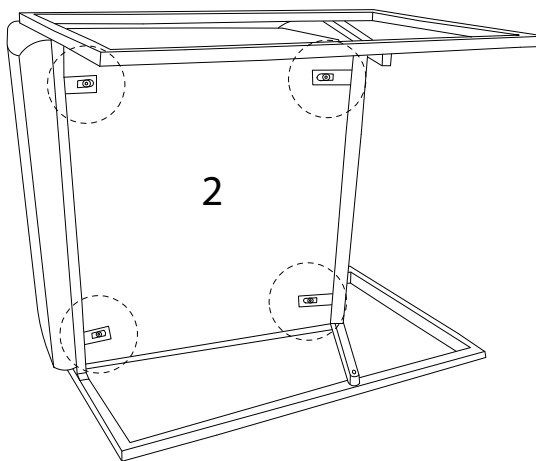
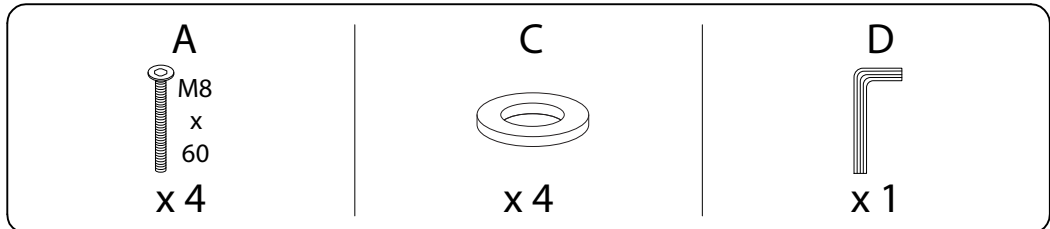
2



3



4



5

A
M8
x
60
x 2

D
x 1

