

FIONDA / PUGI - Towel Holder Installation Instructions

Guarantee terms:

DABSTORY s.c. provides a consumer guarantee for DABSTORY s.c. products under the name **Fionda, Pugi**. The guarantee covers only defects arising from causes inherent to the product sold. The guarantee period is 2 years from the date of purchase. The guarantee in no way excludes, suspends or limits the rights arising from the provisions of the warranty for defects of the sold item. If a product is found to be defective, the consumer may file a complaint via email correspondence to: info@dabstory.com or through the dedicated form available at https://dabstoryshop.com/data/include/cms//GOODS_RETURN_FORM_ENG.pdf. In the complaint application you must provide: first and last name, telephone number, e-mail address, proof of purchase of the product, a detailed description of the defects along with photographic documentation (if possible). DABSTORY s.c. shall respond to the submitted complaint within 14 days of its receipt in the form of electronic correspondence to

the e-mail address provided or by phone. If it proves necessary to consider the complaint, the purchased product should be delivered, at the expense of the complainant, to the address DABSTORY s.c. ul. Gębicka 22, 62-200 Gniezno. If the complaint is accepted, DABSTORY s.c. shall remove the defects within 14 days or replace the purchased goods with goods free from defects, if the defects do not qualify for removal. The guarantee does not cover damage to the product resulting from improper installation, use, cleaning or maintenance, as well as damage resulting from fortuitous events (e.g. fire), caused by chemical substances, mechanical damage resulting from the operation of the product, damage resulting from excessive load on the product and those resulting from failure to follow the installation instructions. This guarantee excludes wear and tear arising from normal use of the product. The guarantee does not apply to products purchased as inferior or discounted, and those in which any alterations have been made without the consent and knowledge of DABSTORY s.c. DABSTORY s.c. shall not be liable for any damages or defects beyond the scope of the guarantee. The guarantee is valid worldwide.

General installation rules:

Before installation, please read the steps in the instructions and product maintenance. It is imperative to follow the order of the installation steps with the general installation rules:

- Do not install items in case of finding defects or damage to purchased items.
- Observe safety regulations and use safety glasses and gloves when drilling holes.

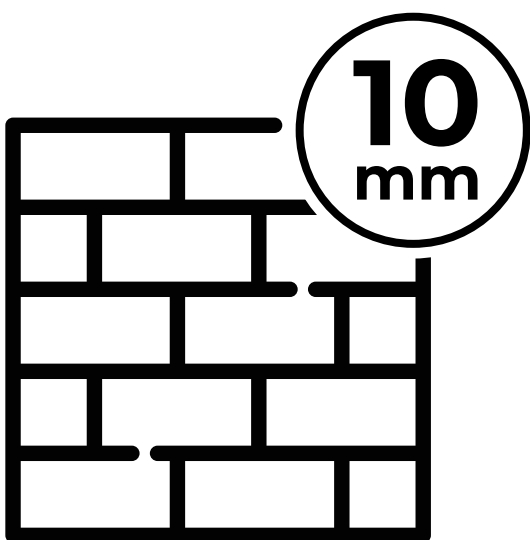
Maintenance and use:

When using the towel holder, check for looseness of the mounting screws as needed. Do not use rough sponges or components containing abrasives for cleaning. This may cause tarnishing or scratching of the surface. Do not use cleaners containing solvents, acids, or cooking vinegar. Test the cleaning agent on an inconspicuous area of the product first. Clean the surface with a soft cloth or paper towel.

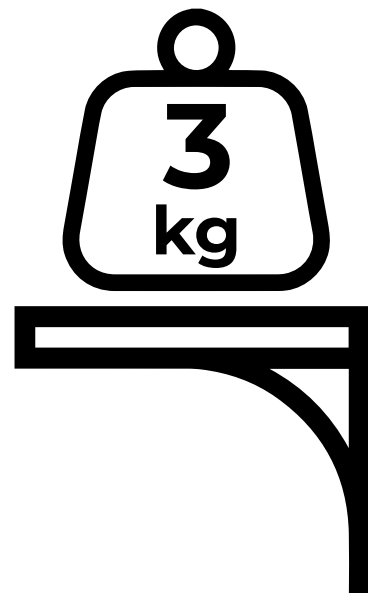
NOTE!!! Excessive loads on products create a hazard during use and risk permanent damage.

! ATTENTION

The installation set includes dowels designed for materials such as: plain concrete, ceramic brick, silicate brick, hollow brick, ceramic hollow block, autoclaved concrete, plaster-cardboard panel. Since the wall material may be different in every home, contact your local specialty store for advice on choosing the right screws.



The minimum wall thickness is 10 mm.

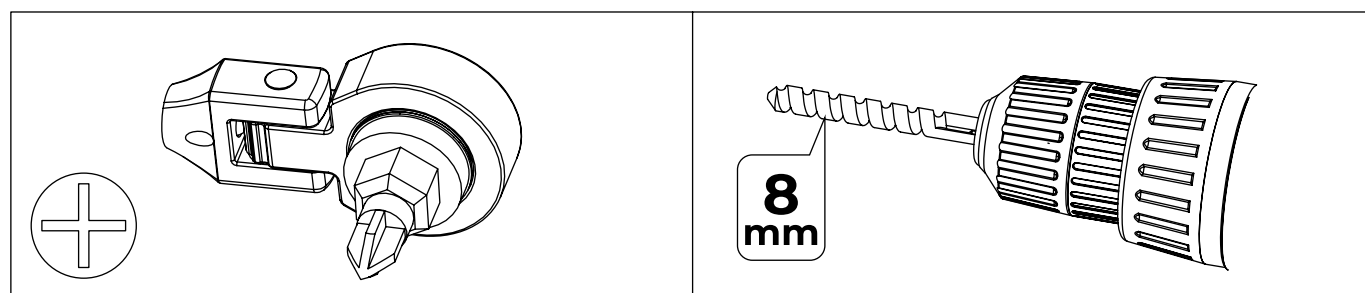
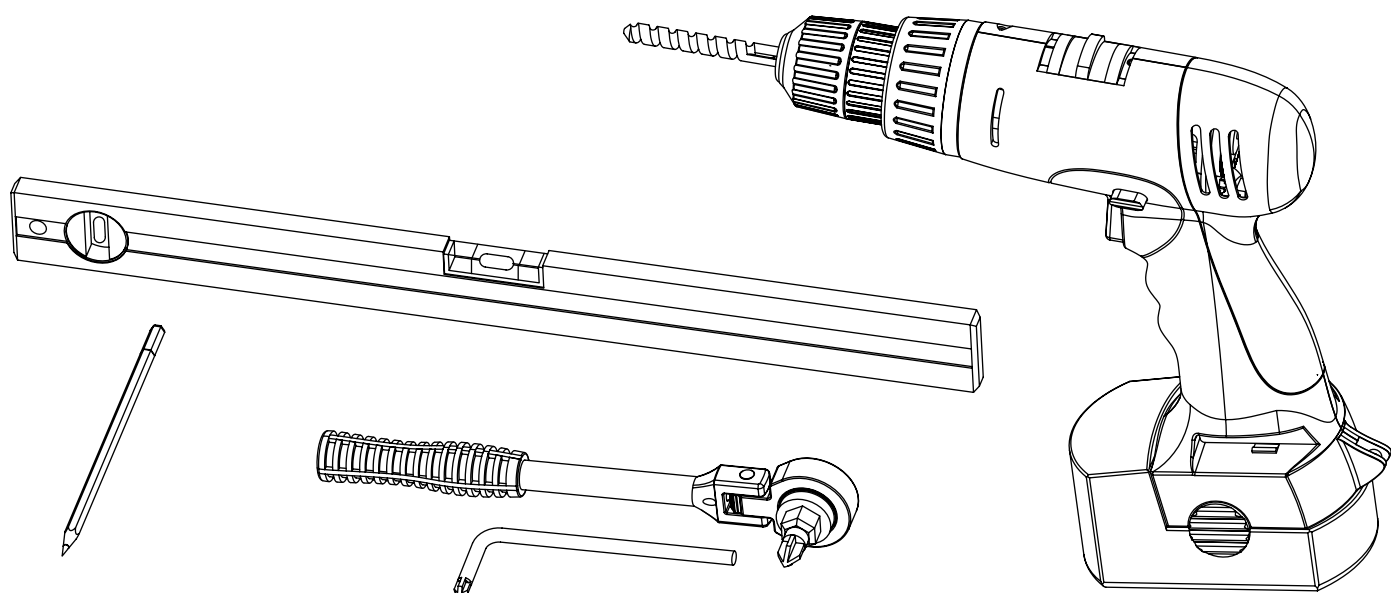


The maximum load of the product is 3 kg.

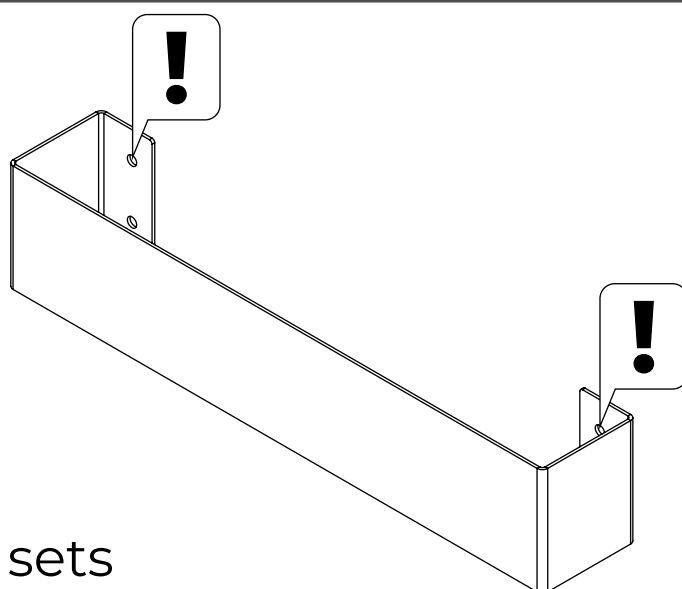
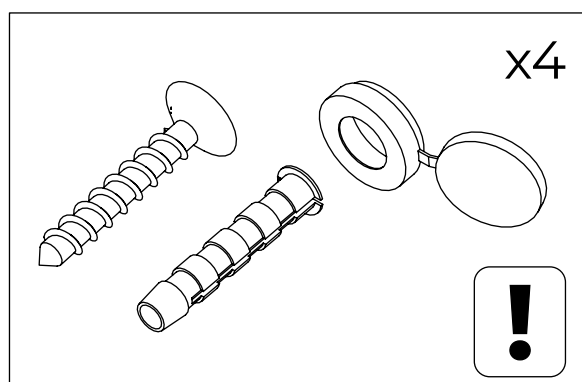
1 Preparation stage



Prepare your tools



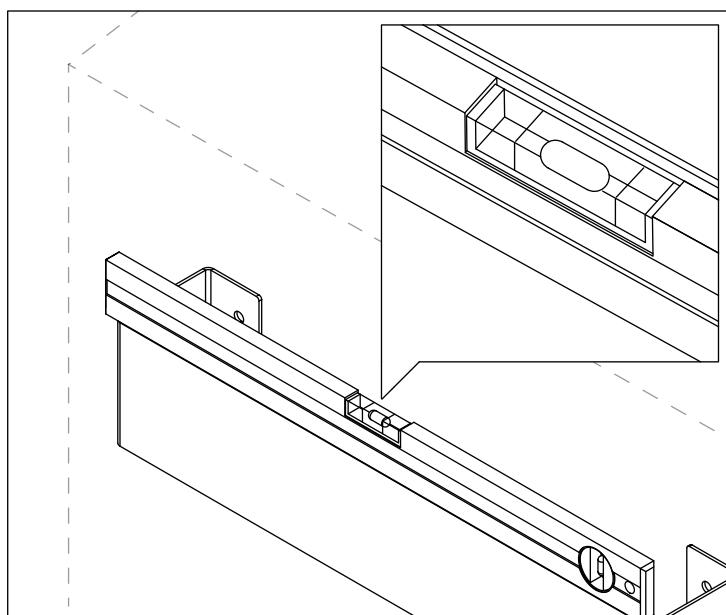
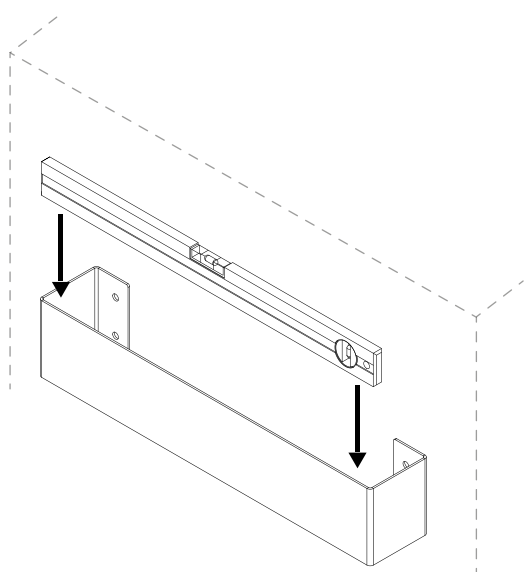
Check the package contents



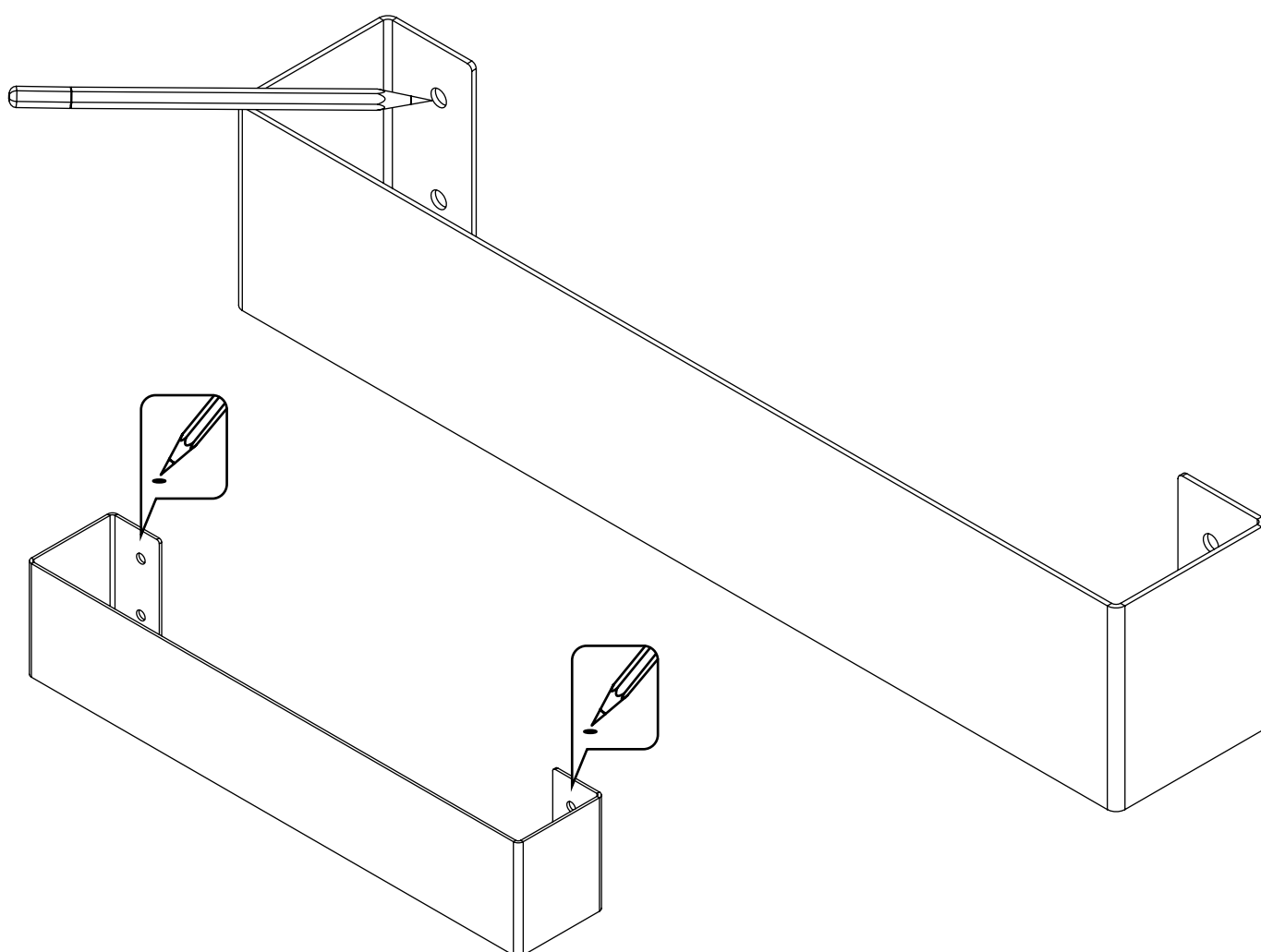
The number of fastening sets should correspond with the holes in the back of the holder

2 Installation stage

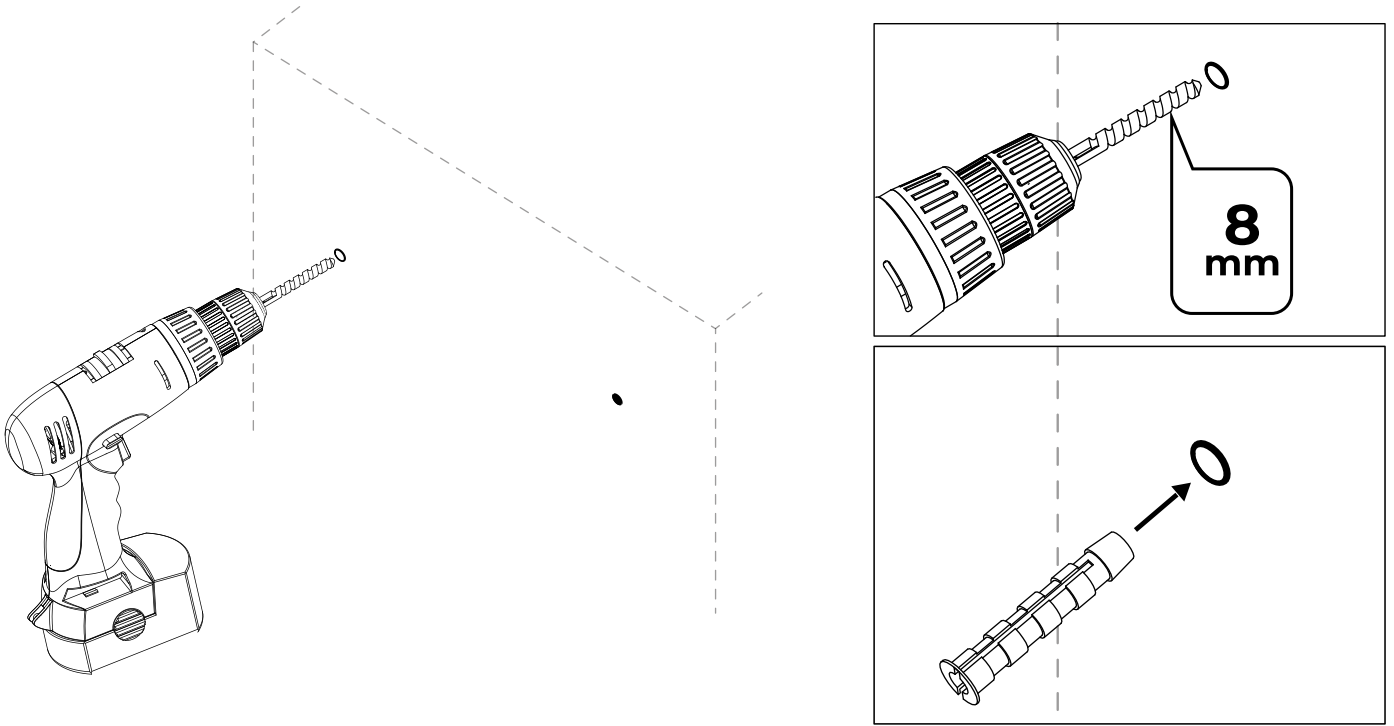
- A** Place the towel holder with the spirit level on the wall



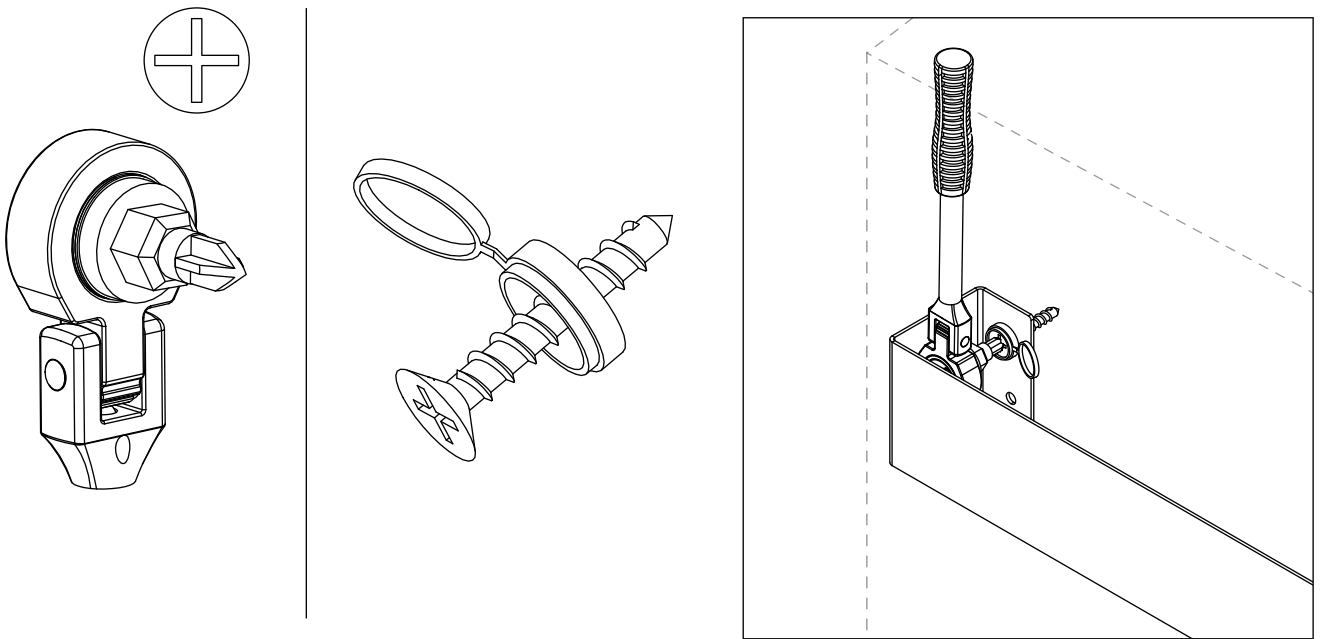
- B** Mark out the hole locations



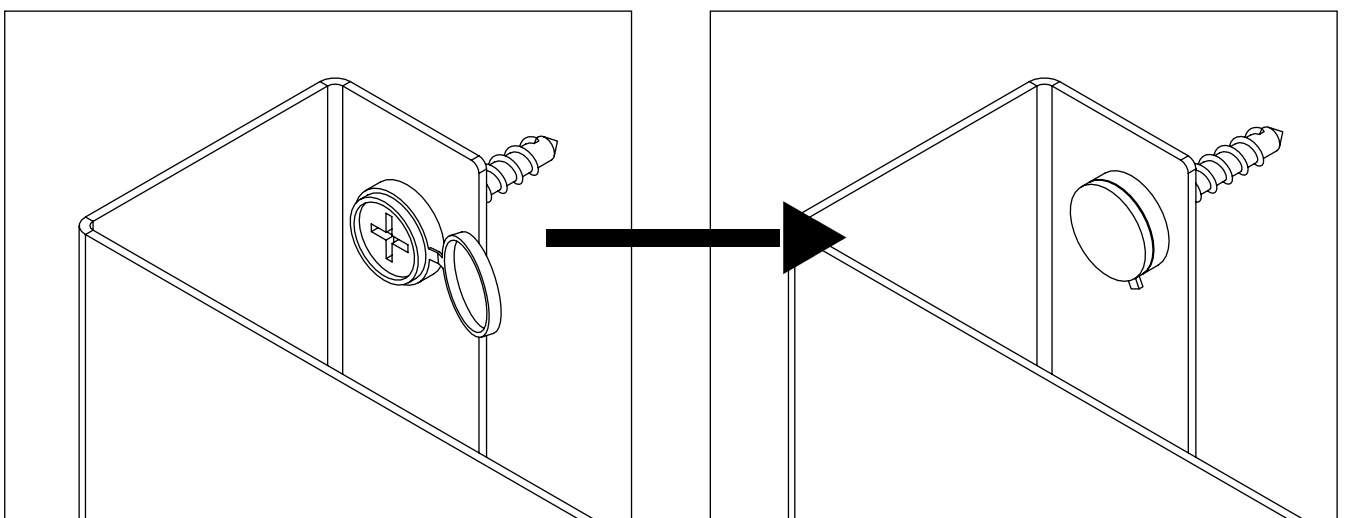
C Drill holes



D Screw on the towel hanger



E Cover the screws





Manufacturer:

DABSTORY S.C.

Ul. Wilczak 20F/37

61-623 Poznań

www.dabstory.com

info@dabstory.com

+48 608 885 045