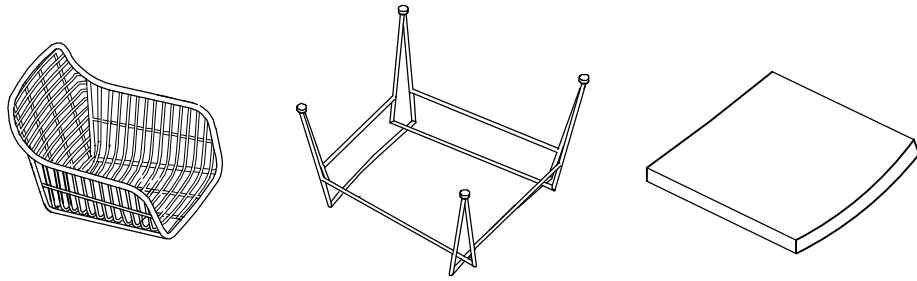


PARTS AND HARDWARE

Avoid using sharp objects such as a knife to cut open packing as you may accidentally damage the upholstery.

Do not fully tighten bolts until assembly is complete.

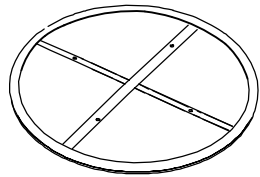
1. Assemble the chair leg(B) to the chair(A), using bolt and washer(G).



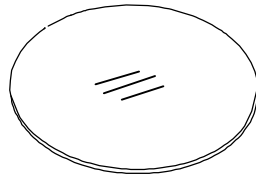
A.2PCS

B.2PCS

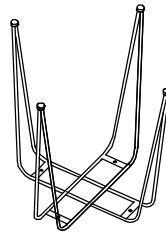
C.2PCS



D.1PC



E.1PC



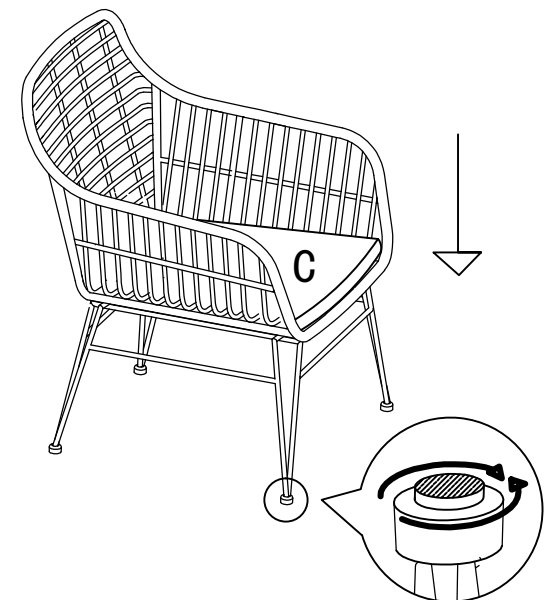
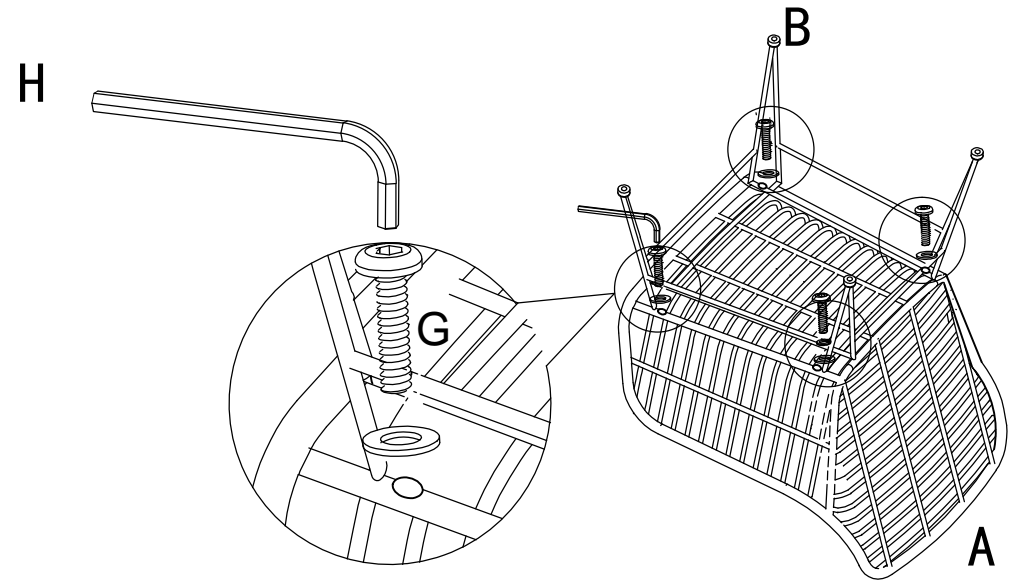
F.1PC



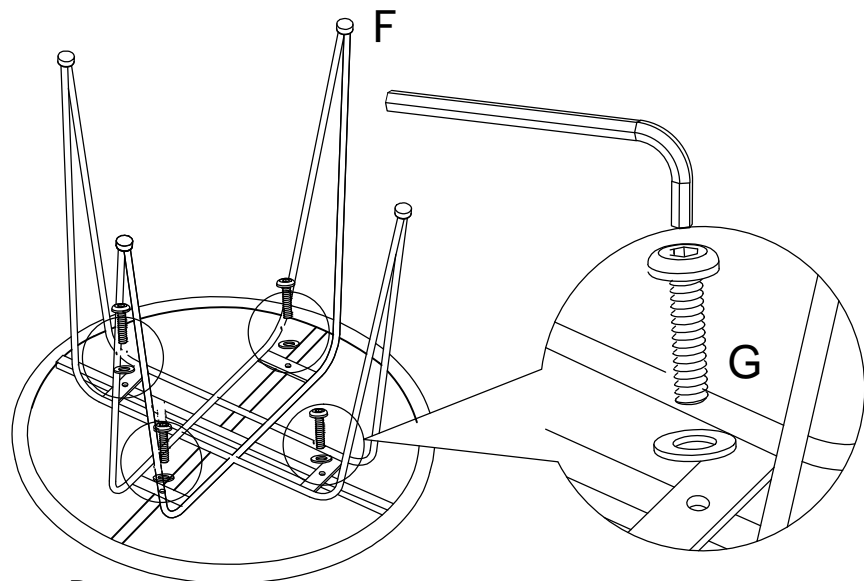
G.12PCS



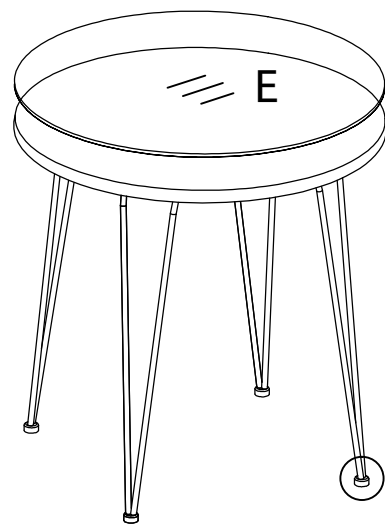
H.1PC



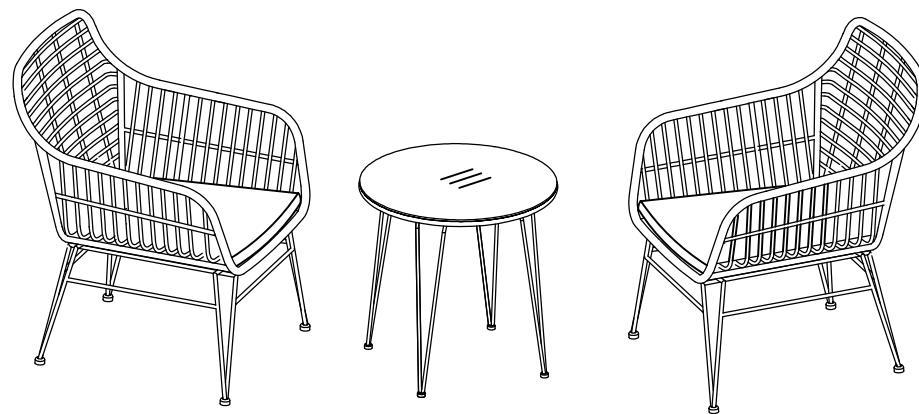
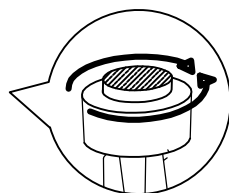
2.Assemble the table leg(F) to the table top(D),using bolt and washer(G).



D



E



ASSEMBLY INSTRUCTIONS

Dear Customer, Thank you for your order.

If you have questions or quality problems during the installation and use, please email us at first thought your order or email to us:

We will reply you within 12 hours and solve your problem as soon as we can. We hope our products will give you a great shopping experience. Thank you!