










INSTRUCCIONES DE MONTAJE e IDENTIFICACIÓN DE LAS MODELO # 2323-WEEKENDER BAR DE WEEKENDER

Gracias por adquirir este producto de calidad. Asegúrese de revisar cuidadosamente todo el material de embalaje para detectar piezas pequeñas que puedan haberse soltado dentro de la caja durante el envío.

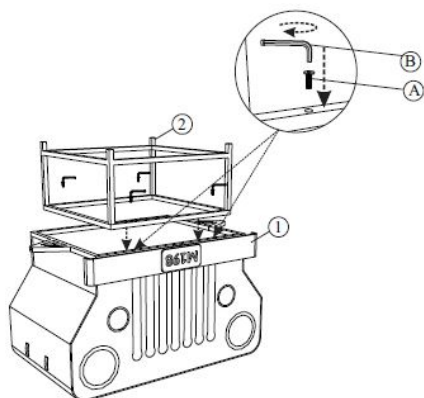
Key Components			
No.	Qty	Description	
1	1 Pcs	Weekender Body	
2	1 Pcs	Base	
3	2 Pcs	Wheel	
4	2 Pcs	Side Shelf	
5	1 Pcs	Metal Shelf	
6	4 Pcs	Leveler M6x20 mm	

Hardware Kit WEEKENDERP01			
No.	Description	Qty	
A	 Allen Bolt M8 x 40mm	4 Pcs	
B	 Allen Key 5mm	1 Pcs	
C	 Allen Bolt M6 x 20mm	2 Pcs	
D	 Allen Key 4mm	1 Pcs	
E	 Washer	2 Pcs	

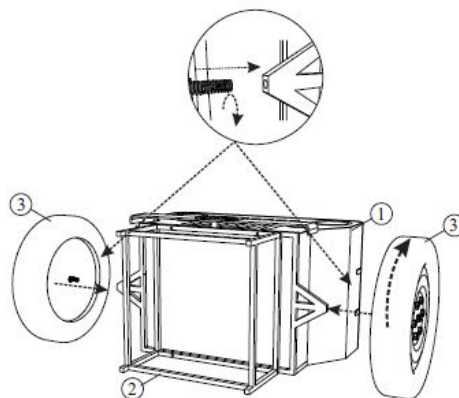
PART #

Place all parts on a padded service during setup to prevent scratches. This setup requires two people.

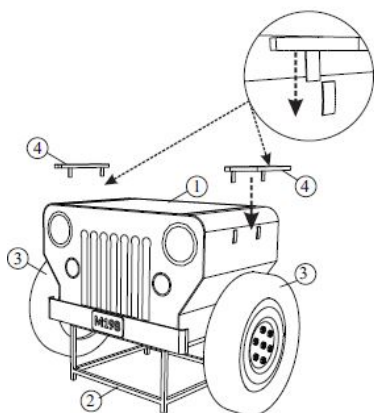
STEP 1 Position the Weekender Body upside down as shown. Attach the base using the long bolt A and tighten with the Allen Key provided by hand.



STEP 2 Place the unit on it's back as shown. Screw the wheels onto the bolt as shown.



STEP 3 Attach the side shelves by sliding them in place.



STEP 4 Attach the wood shelf using short bolt C and flat washer E. Hand tighten with Allen Key provided. Level the Weekender as needed using the levelers on the base.

