

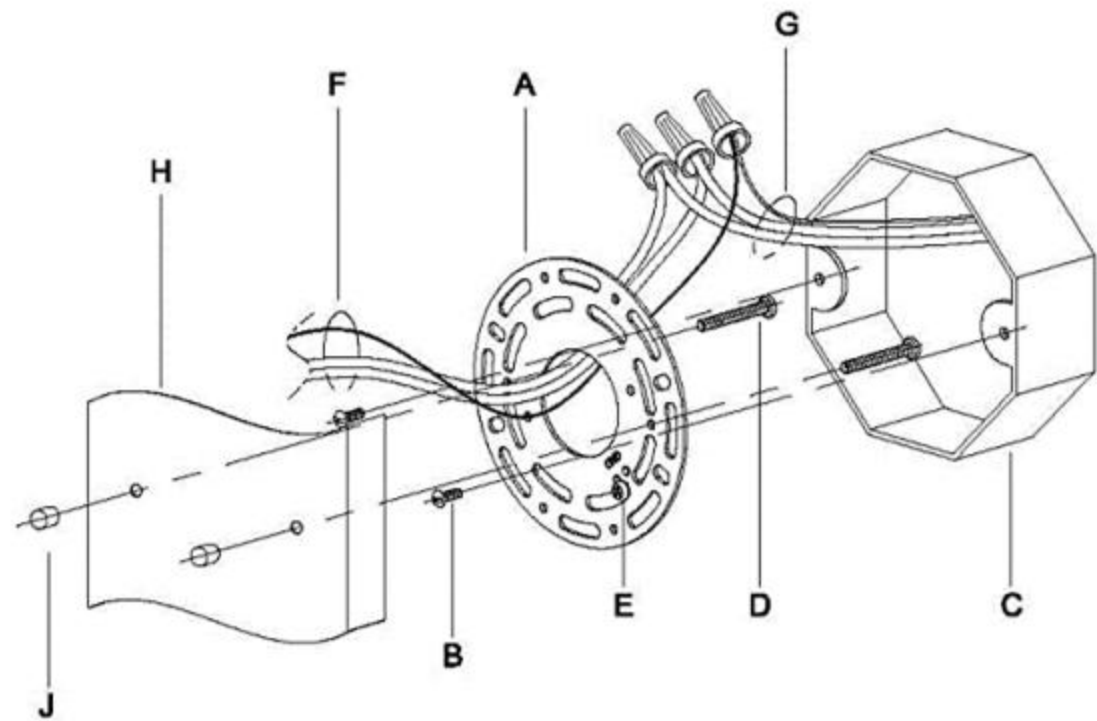
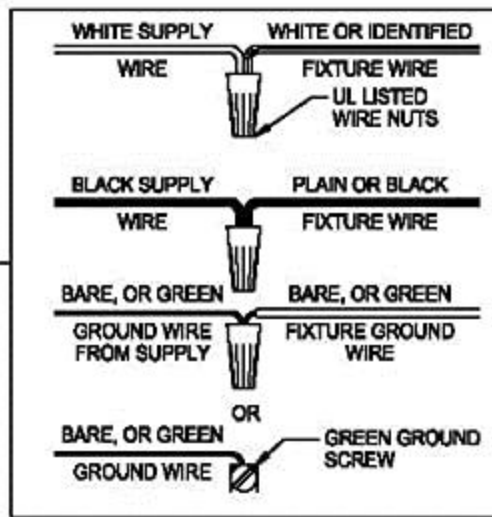
# Assembly & Installation Instructions

**CAUTION:** Read instructions carefully and turn electricity off at main circuit breaker panel before beginning installation.

## 3-Wall Lighting

### CANOPY MOUNTING & WIRE CONNECTION ASSEMBLY STEPS:

1. D,E → A
2. K → D
3. B,A → C
4. F → G
5. H,J → D



### FIXTURE ASSEMBLY STEPS:

Install the E26 bulb after attaching the chassis to the wall



E26 Bulb

