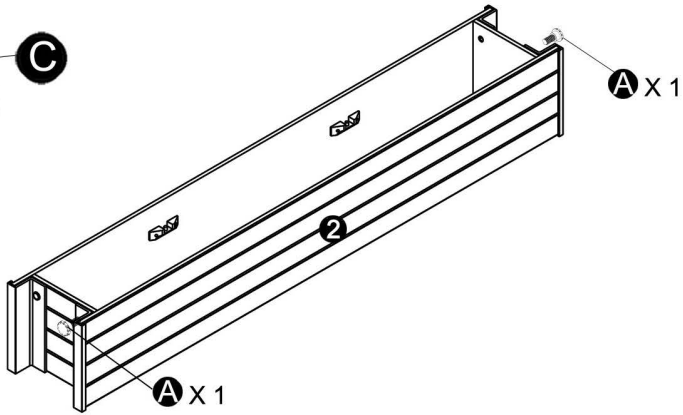
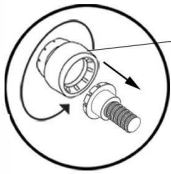
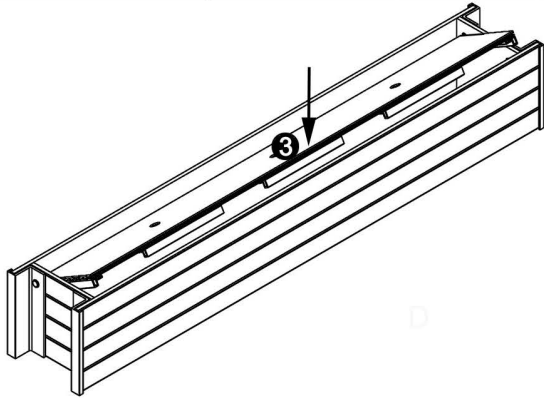


3. **C** **A** X 1

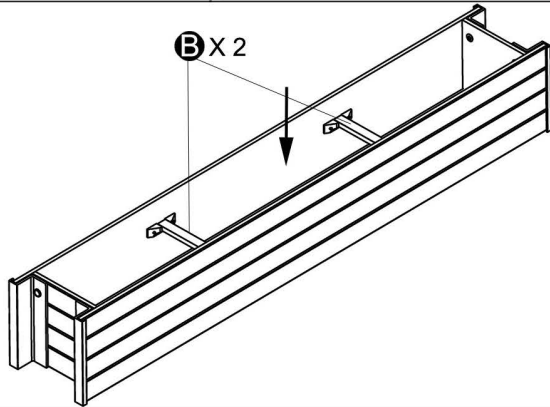


4.

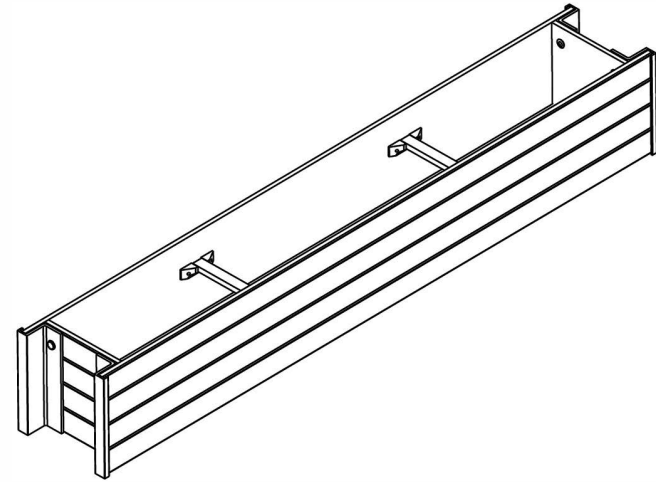


5.

B X 2



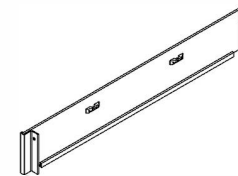
Window Box



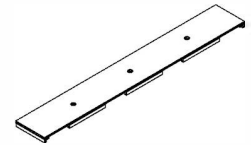
Part List:



Part 1 X 2



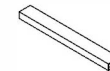
Part 2 X 2



Part 3 X 1



A X 4

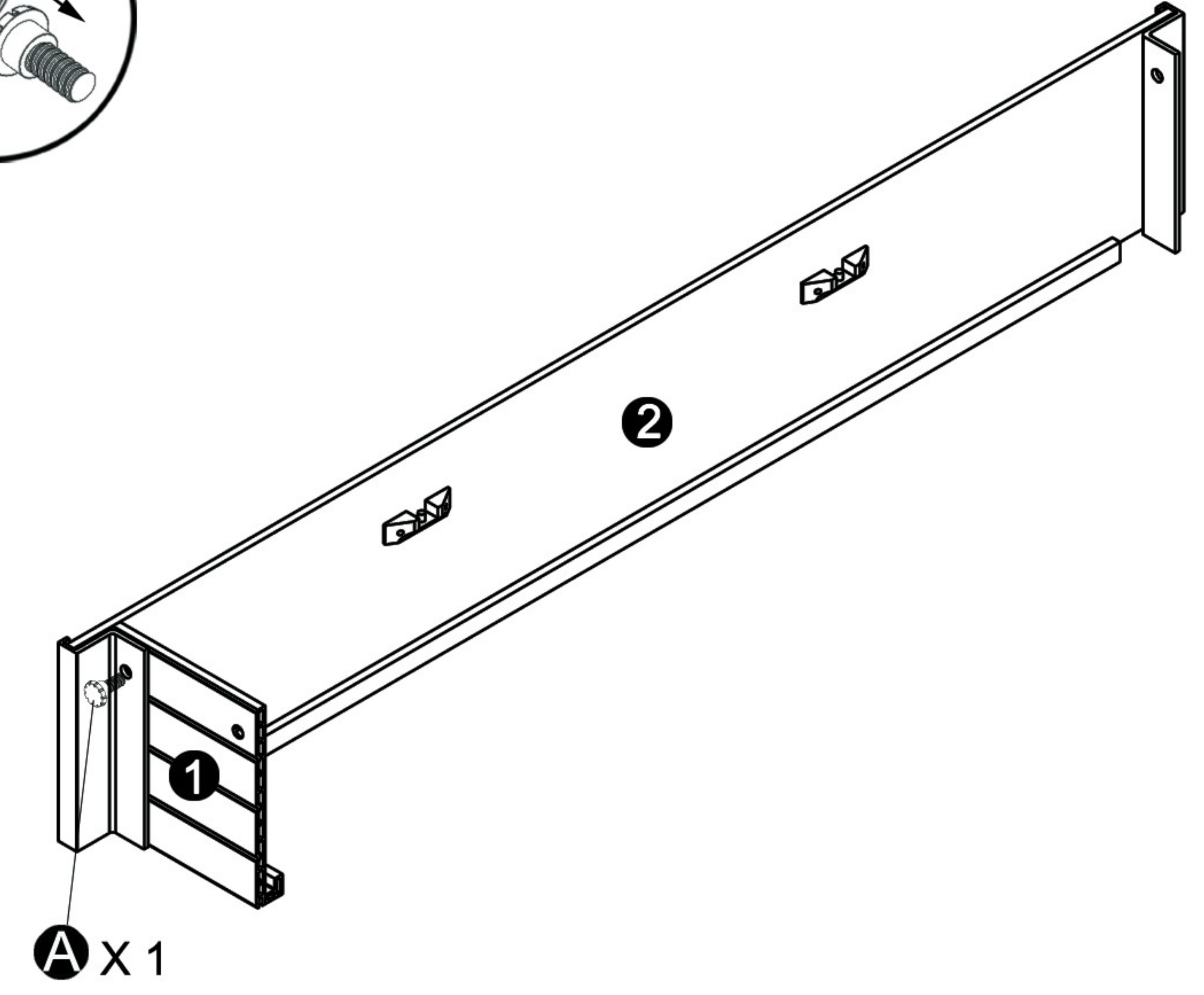
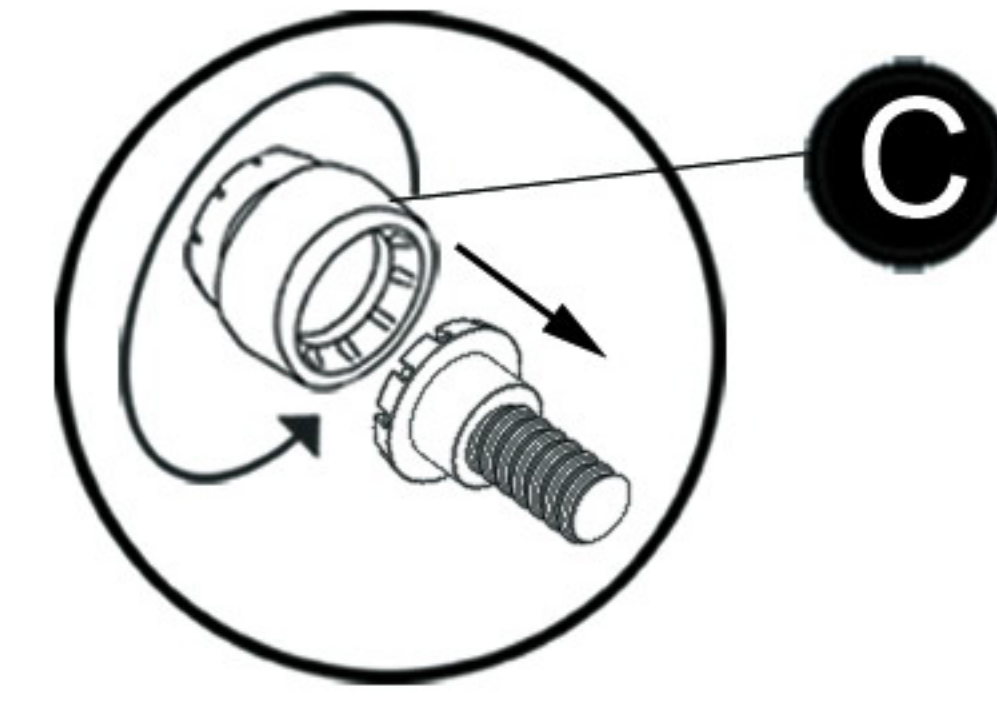


B X 2



C X 2

1.



2.

