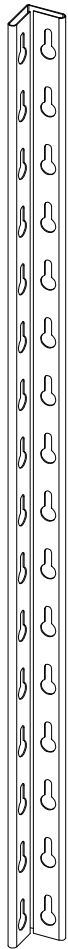


A



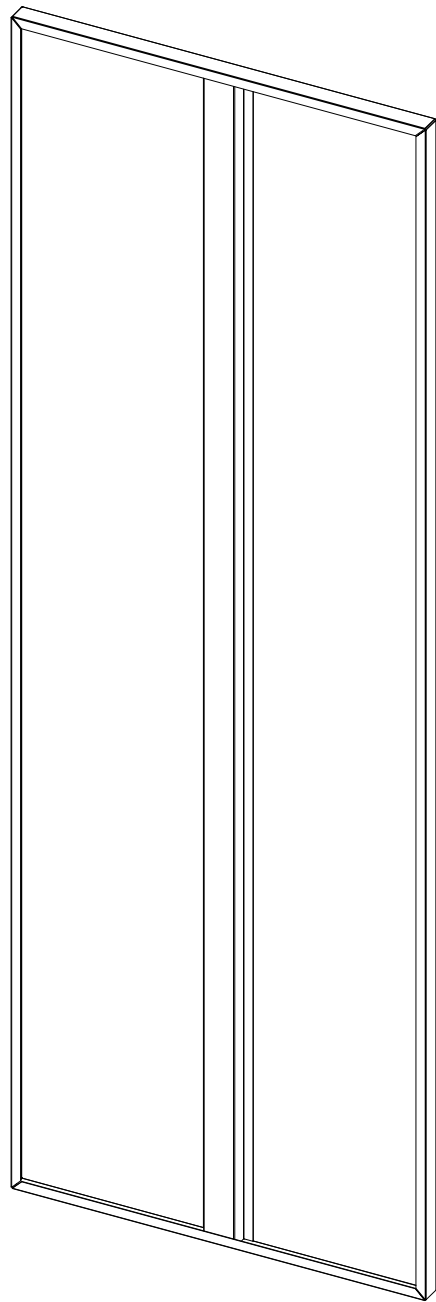
x8

B



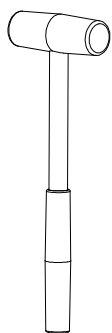
x10

C



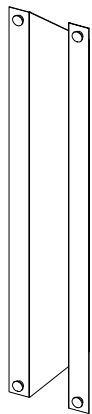
x5

Small hammer



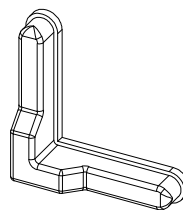
x1

D



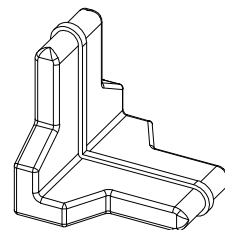
x10

E



x8

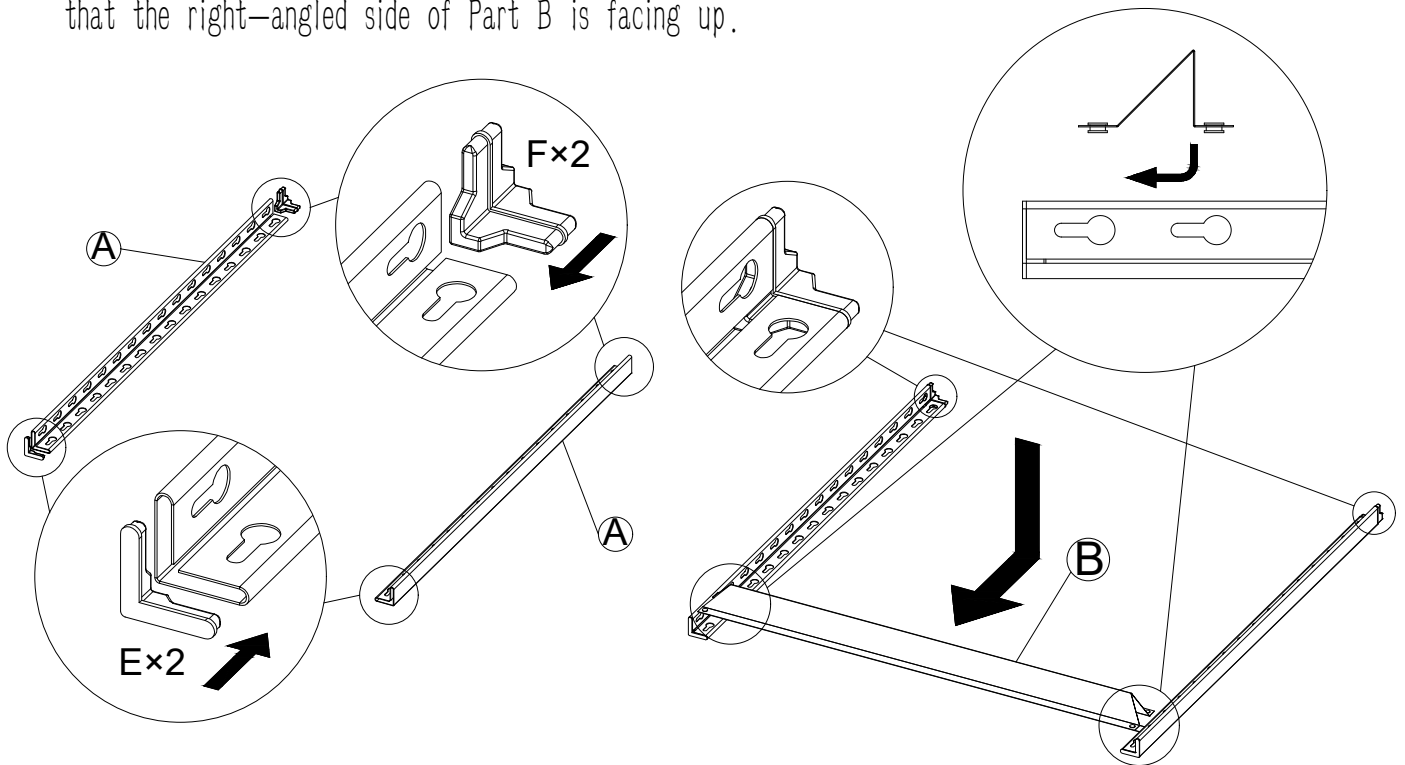
F



x4

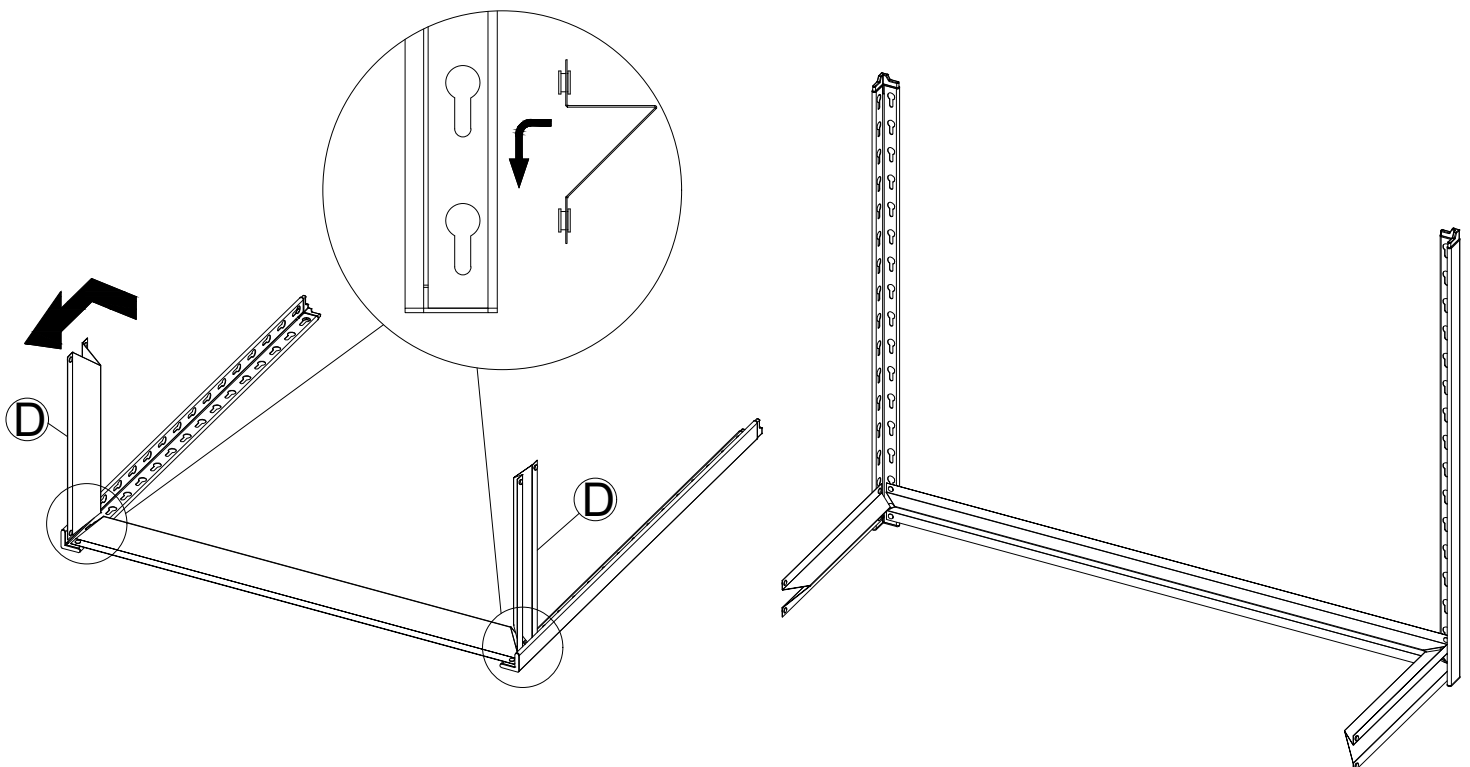
1

Note the T-shaped round hole on Part A, with the large round hole facing up. Align plastic cover E with the slot of Part A and tap with the small hammer so that it is fully inserted. Similarly, insert the plastic connector F completely into the slot of Part A with the small hammer. Snap the two rivets on beam B into the round holes in the two Parts A, and then use the small hammer to hit beam B completely to the end, thereby connecting Part B to the two Parts A. Note that the right-angled side of Part B is facing up.

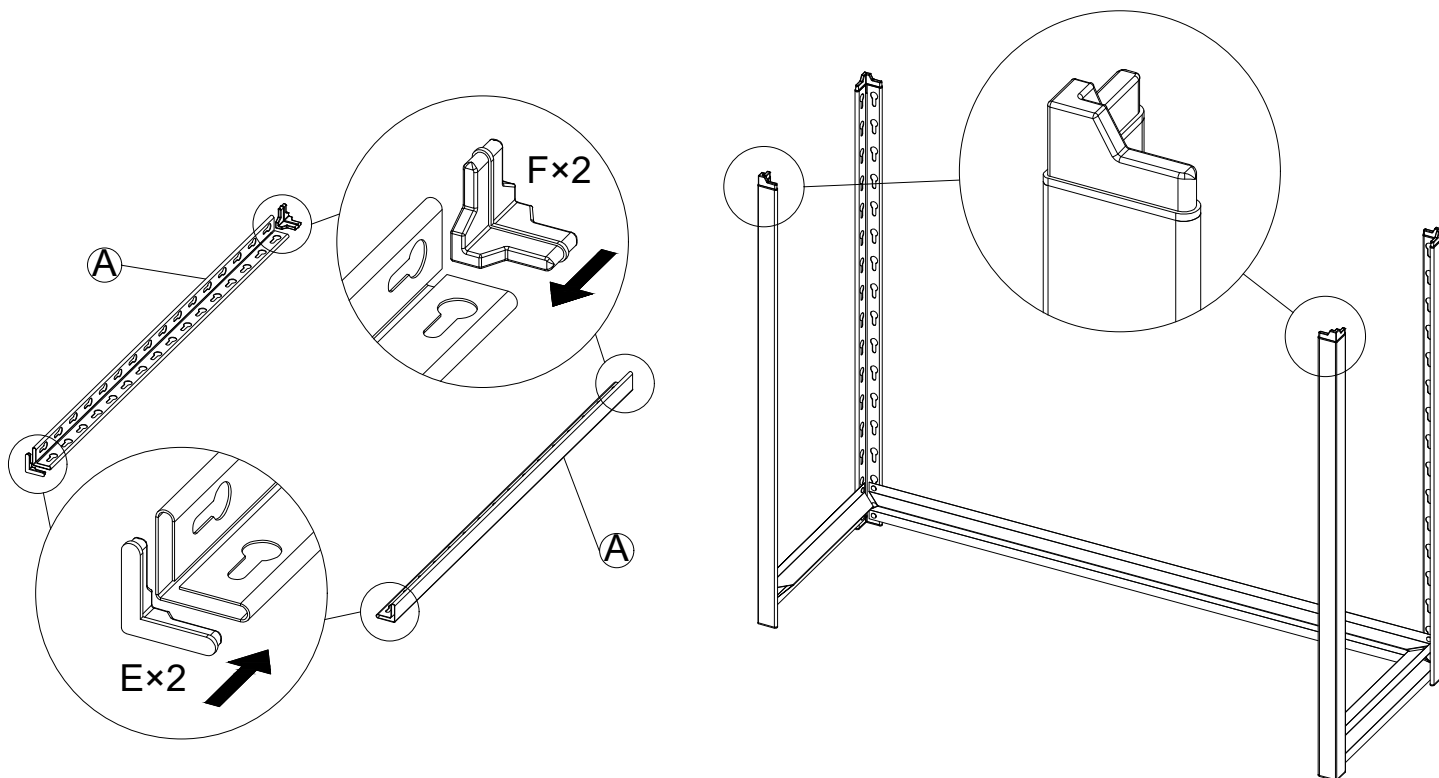


2

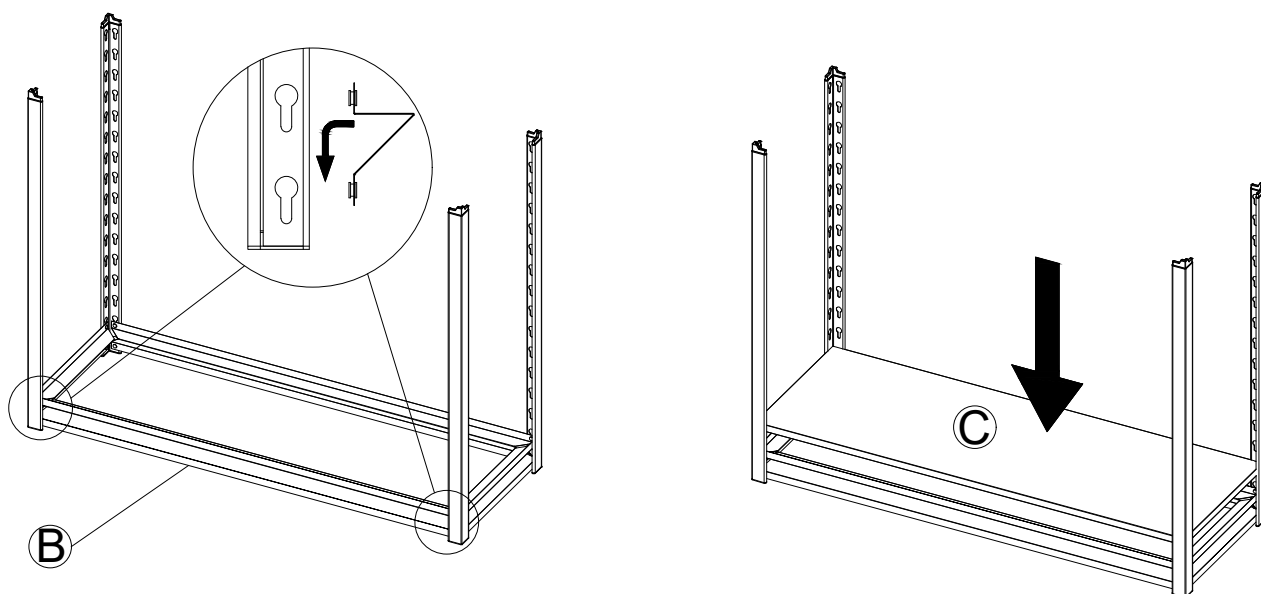
Connect Part D to parts A and B by snapping the two rivets on part D into the round holes of Part A, and then hitting part D completely to the end with the small hammer. Note that the right-angled side of Part D is facing up.



3 Similarly, to install the other two Parts A, do not forget to hit them with the small hammer to make them more stable.

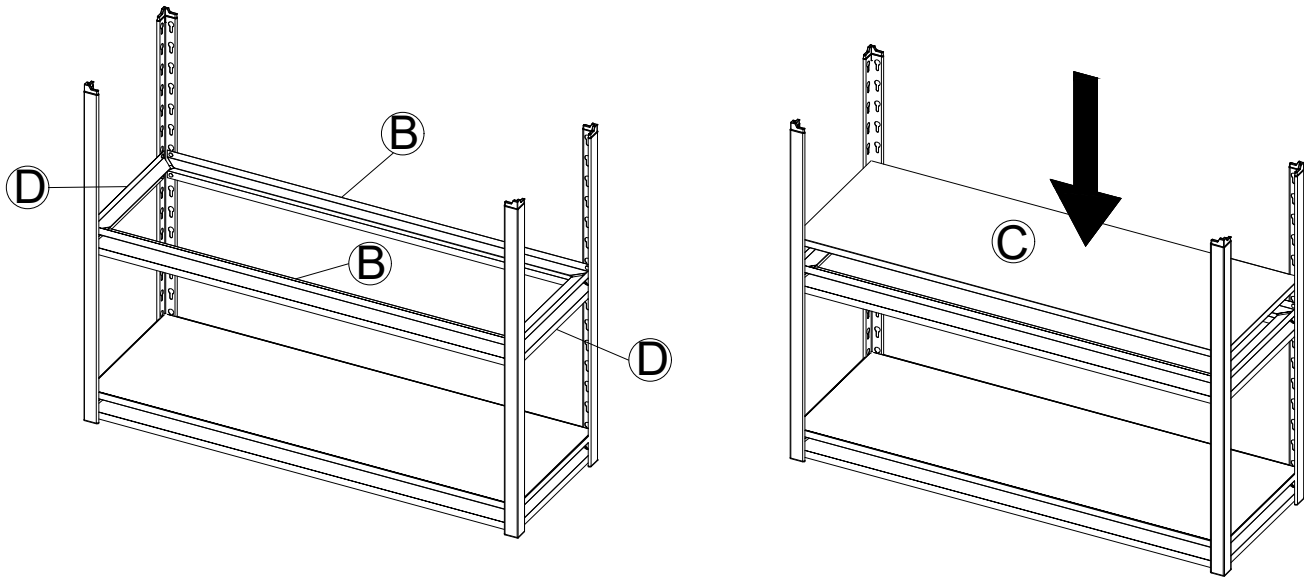


4 Snap the two rivets on beam B into the round holes in the two Parts A, and then use the small hammer to hit beam B completely to the end, thereby connecting Part B to the two Parts A. Note that the right-angled side of Part B is facing up.



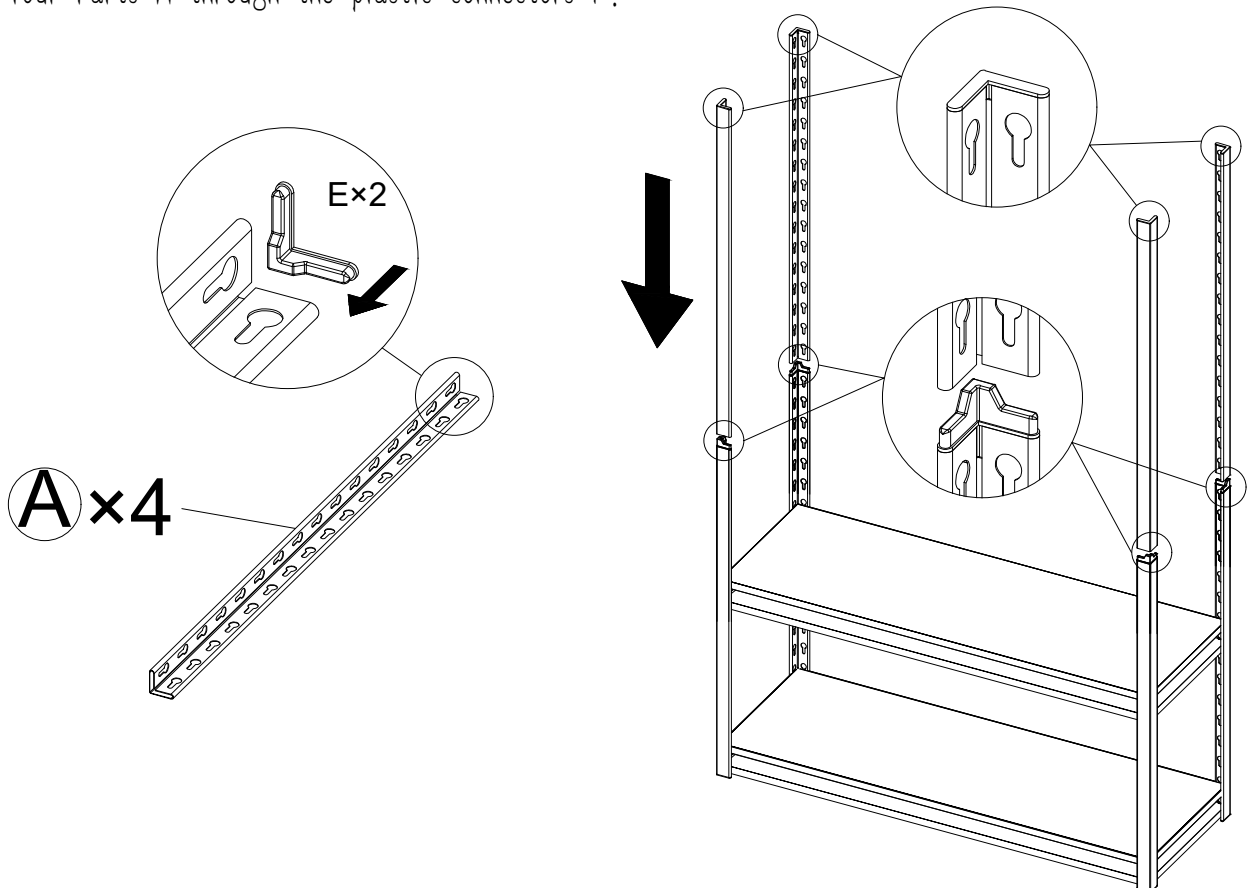
5

In general, each shelf is spaced with 7 round holes, and you can adjust the height according to your needs.

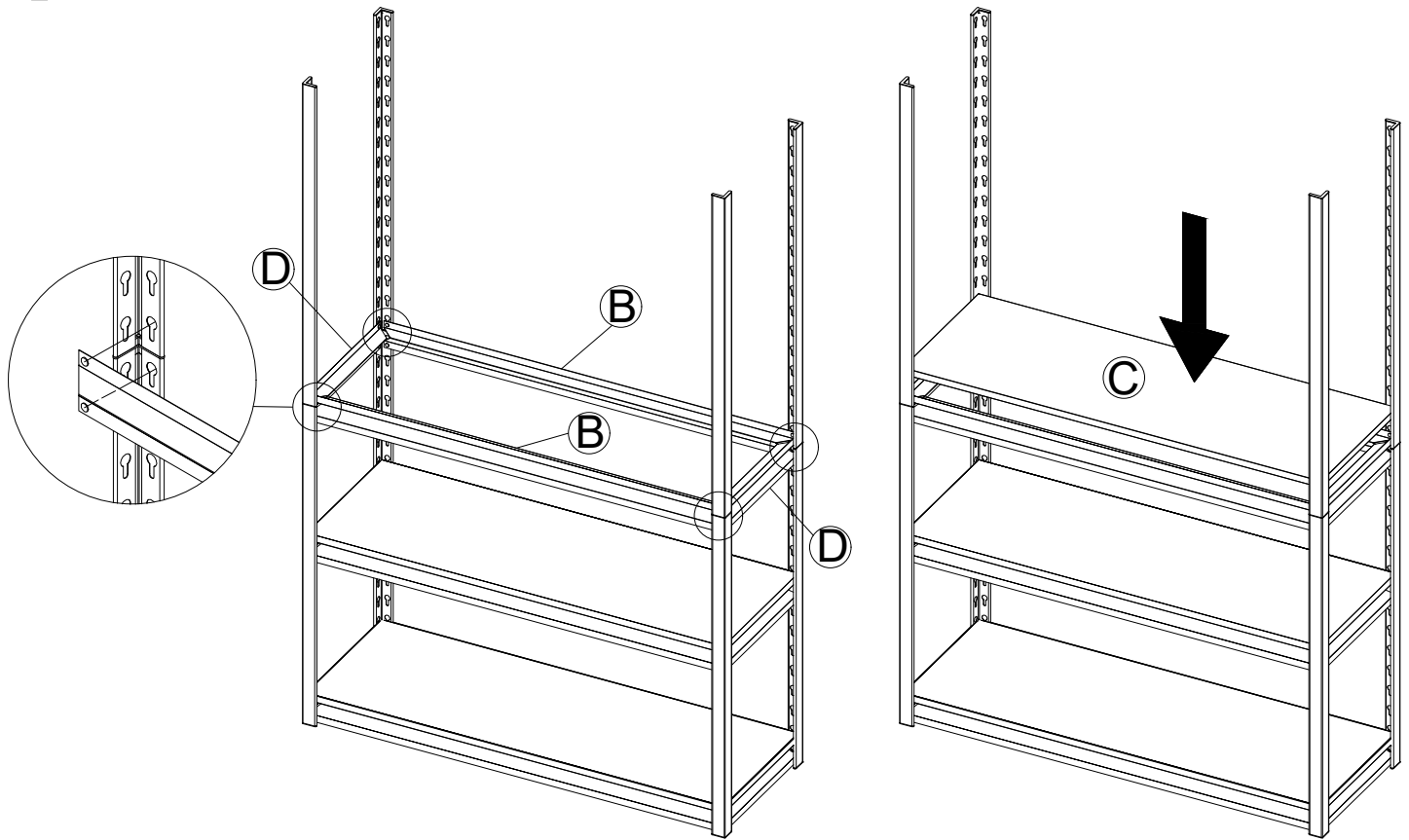


6

Similarly, attach the plastic covers E to the remaining four A parts, and don't forget to hit them with the small hammer to make them fully inserted. Then, connect the four Parts A to the other four Parts A through the plastic connectors F.



7 Install four beams (two Parts B and two Parts D) at the interface of the two Parts A.



8 In general, each shelf is spaced with 7 round holes, and you can adjust the height according to your needs.

