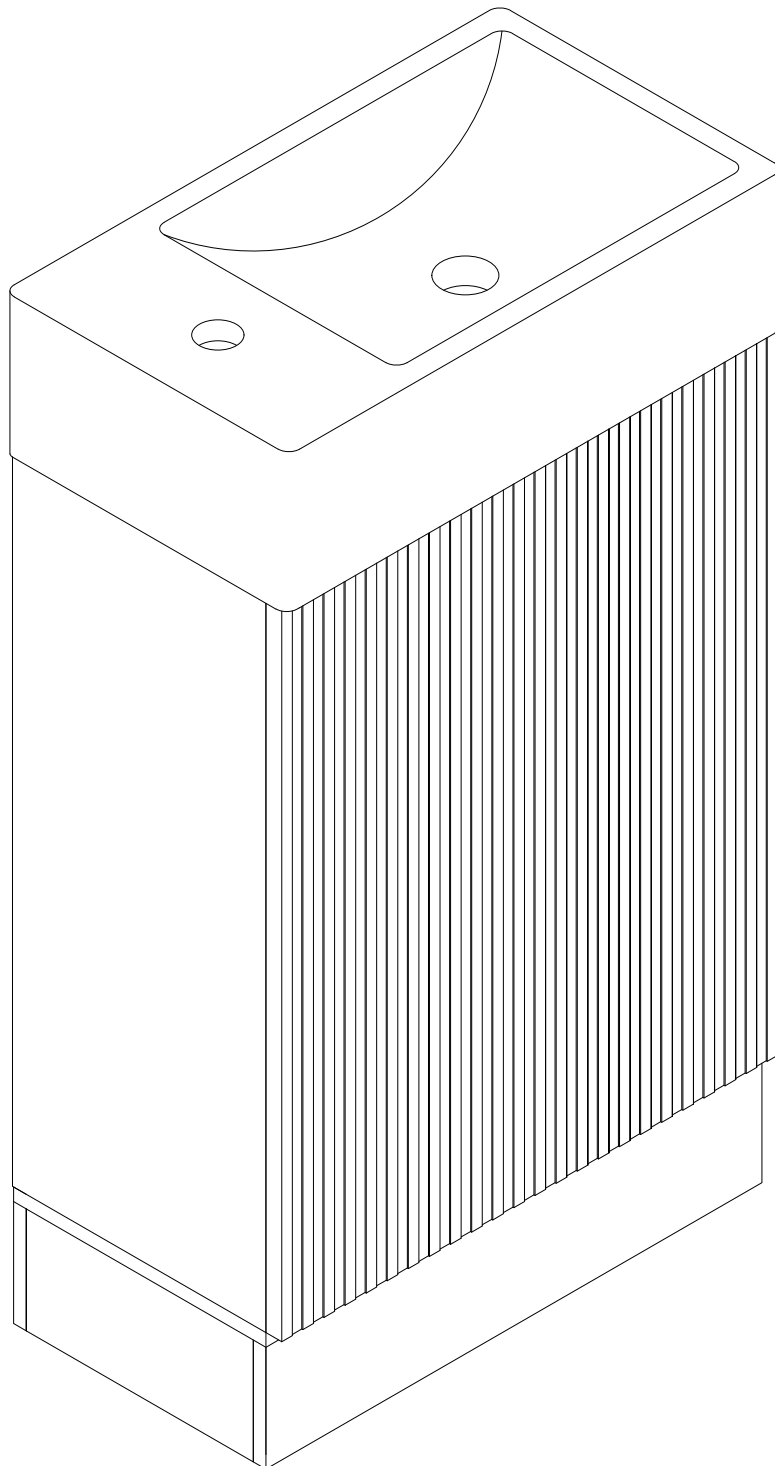
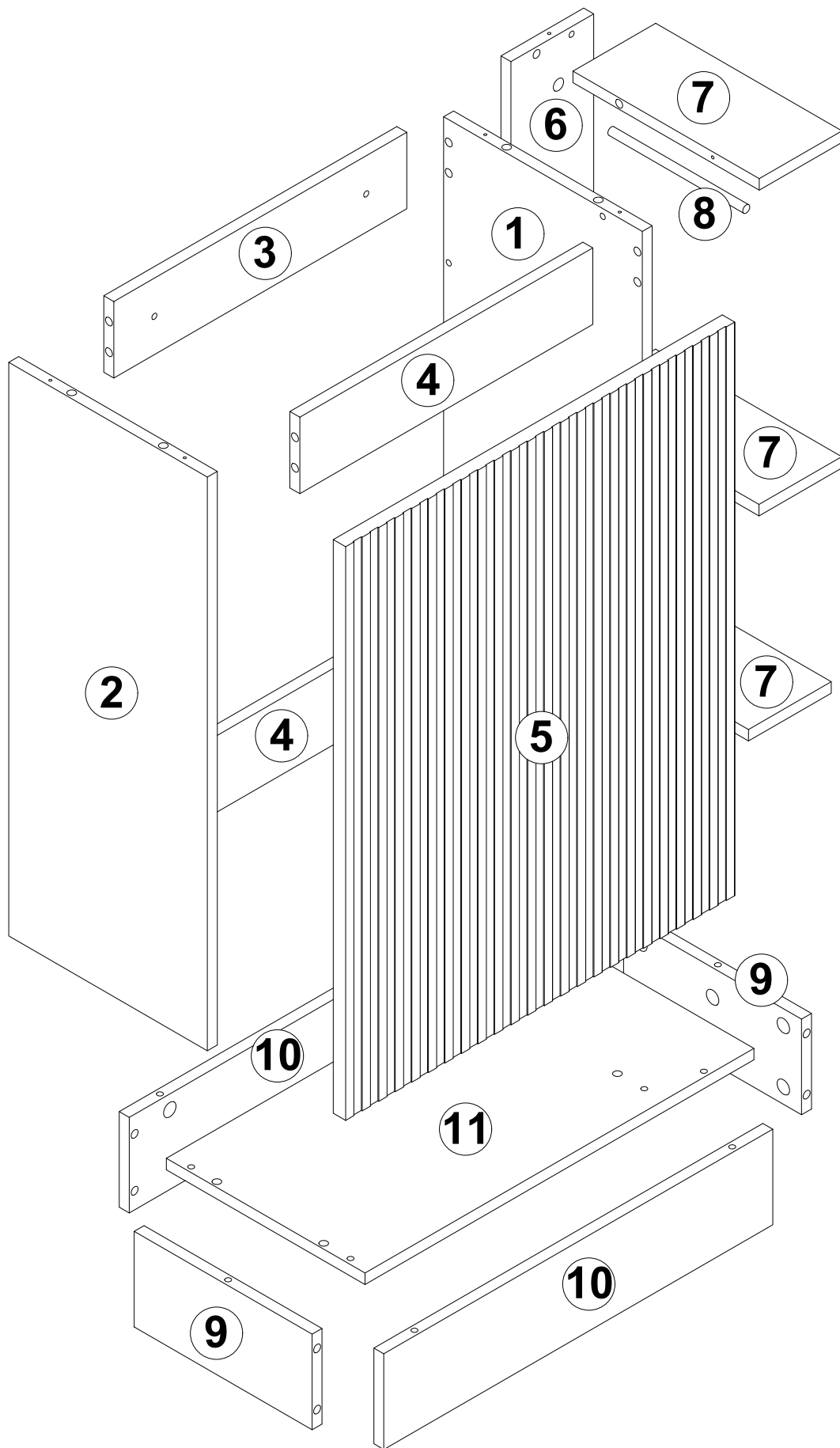
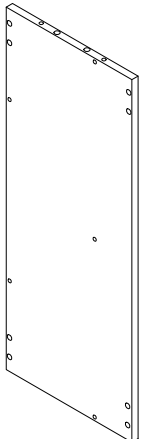
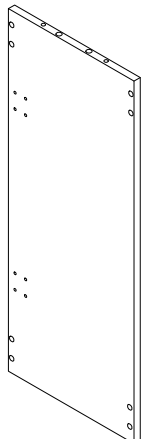
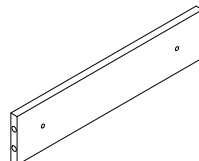
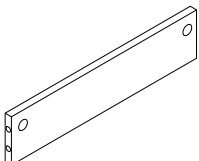
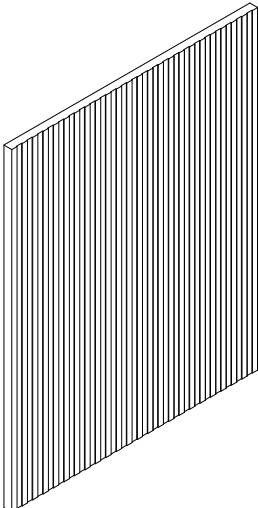
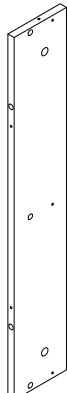
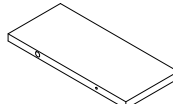
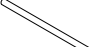
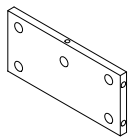
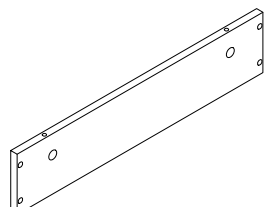
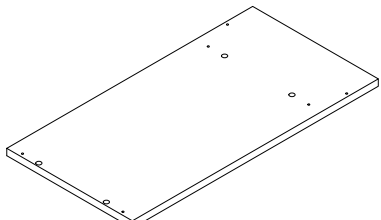
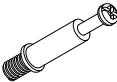
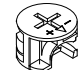

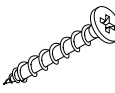

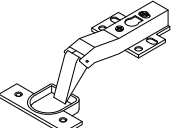
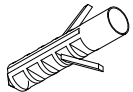
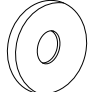
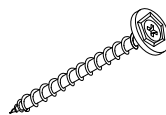


# ASSEMBLY INSRTRUCTION BAUANLEITUNG

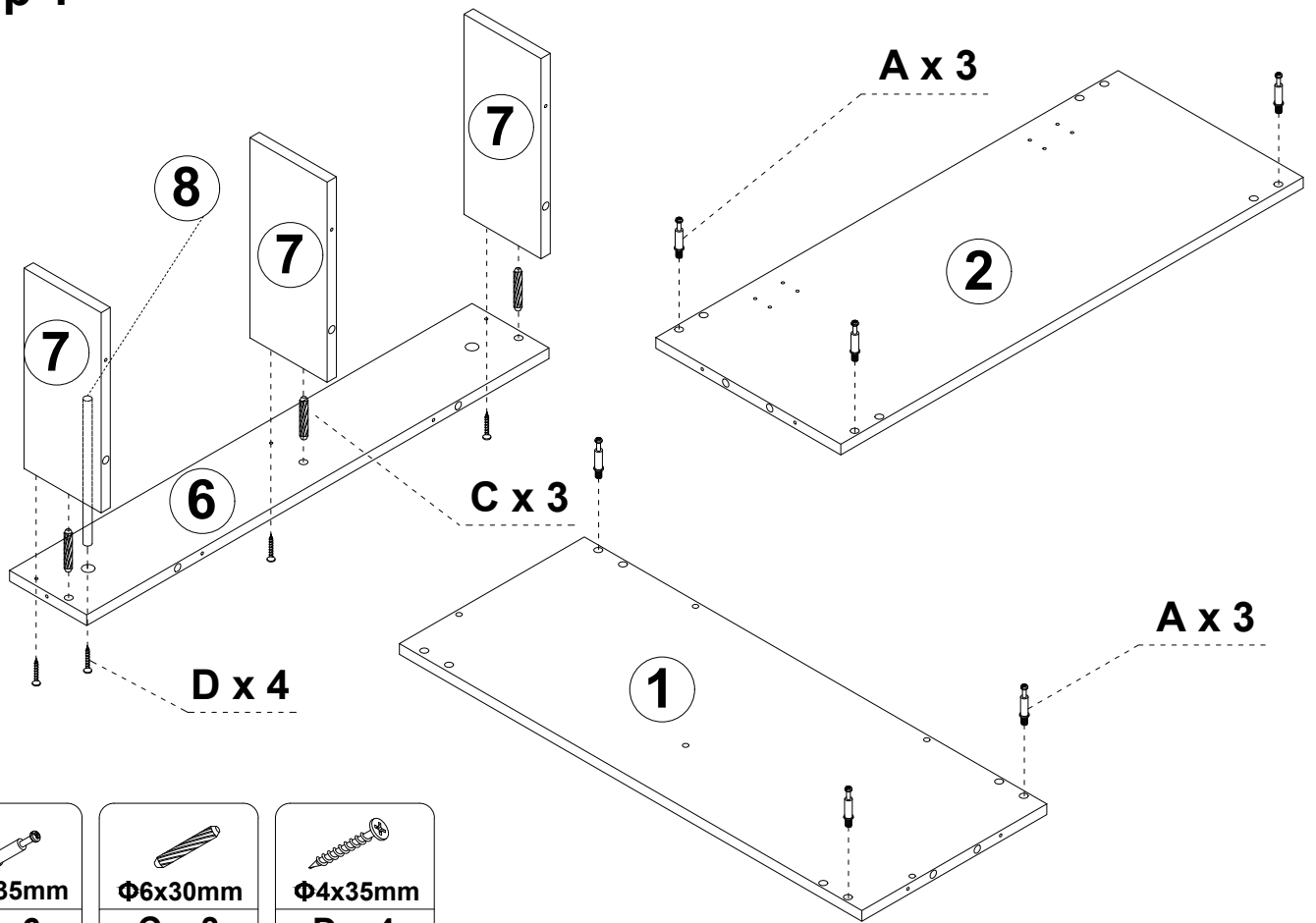




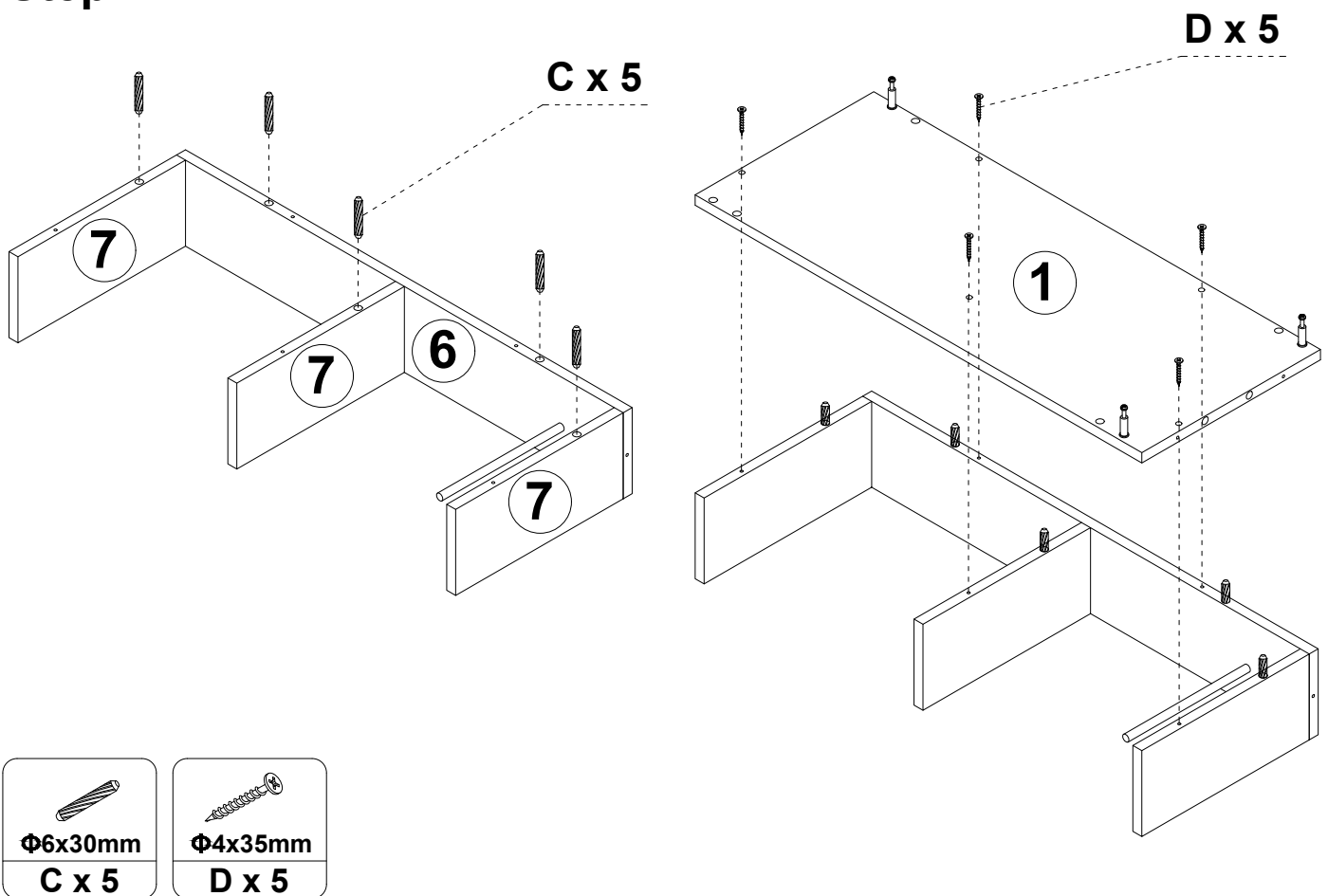
			
<b>① x 1</b>	<b>② x 1</b>	<b>③ x 1</b>	<b>④ x 2</b>
			
<b>⑤ x 1</b>	<b>⑥ x 1</b>	<b>⑦ x 3</b>	<b>⑧ x 1</b>
			
<b>⑨ x 2</b>	<b>⑩ x 2</b>	<b>⑪ x 1</b>	

					
<b>Φ6x35mm</b> <b>A x 20+2</b>	<b>Φ15x10mm</b> <b>B x 20+2</b>	<b>Φ6x30mm</b> <b>C x 18+1</b>	<b>Φ4x35mm</b> <b>D x 14+1</b>	<b>Φ3.5x12mm</b> <b>E x 12+1</b>	<b>F x 2</b>
					
<b>Φ8x40mm</b> <b>G x 2</b>	<b>Φ20</b> <b>H x 2</b>	<b>Φ6x60mm</b> <b>I x 2</b>			

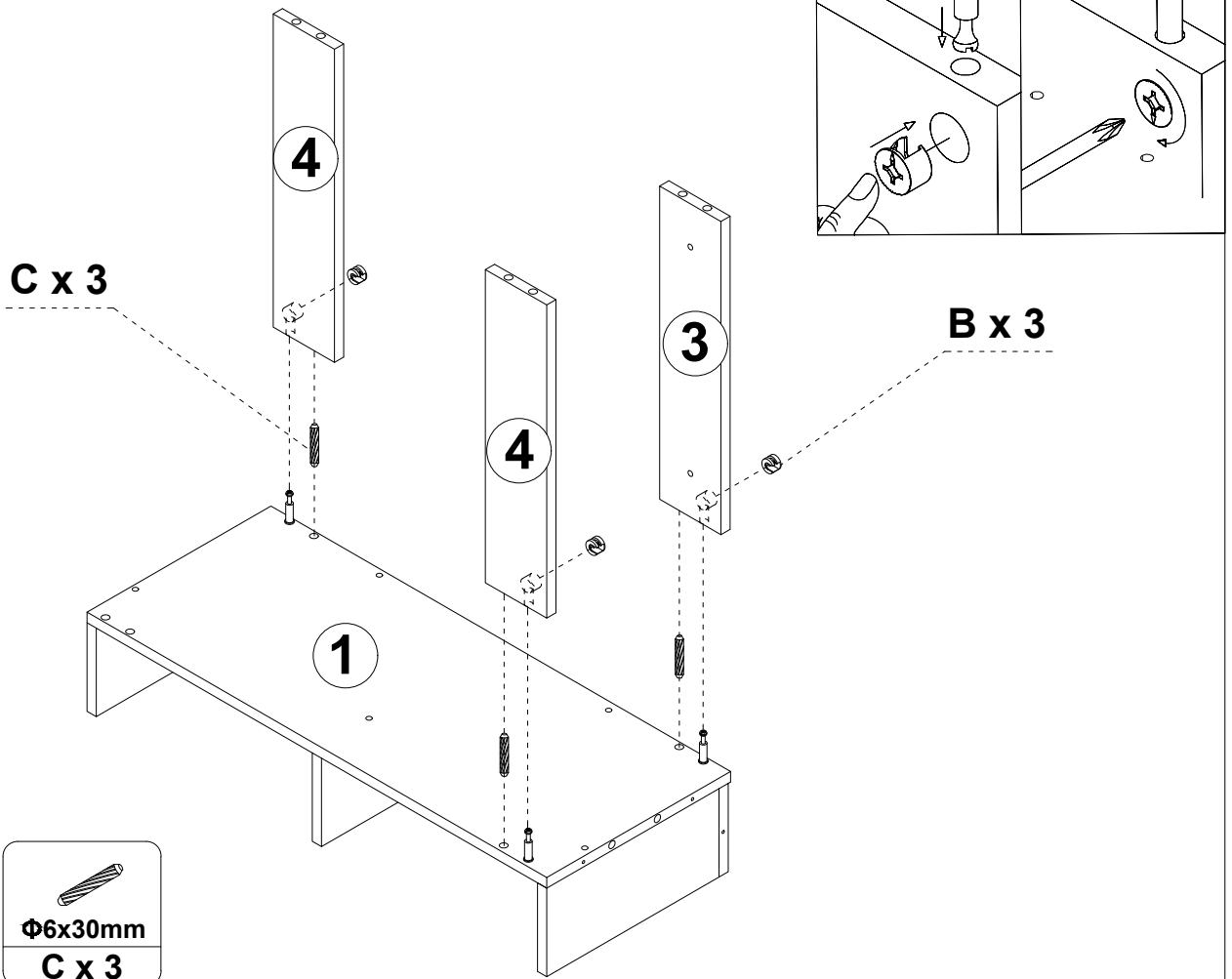
## Step 1



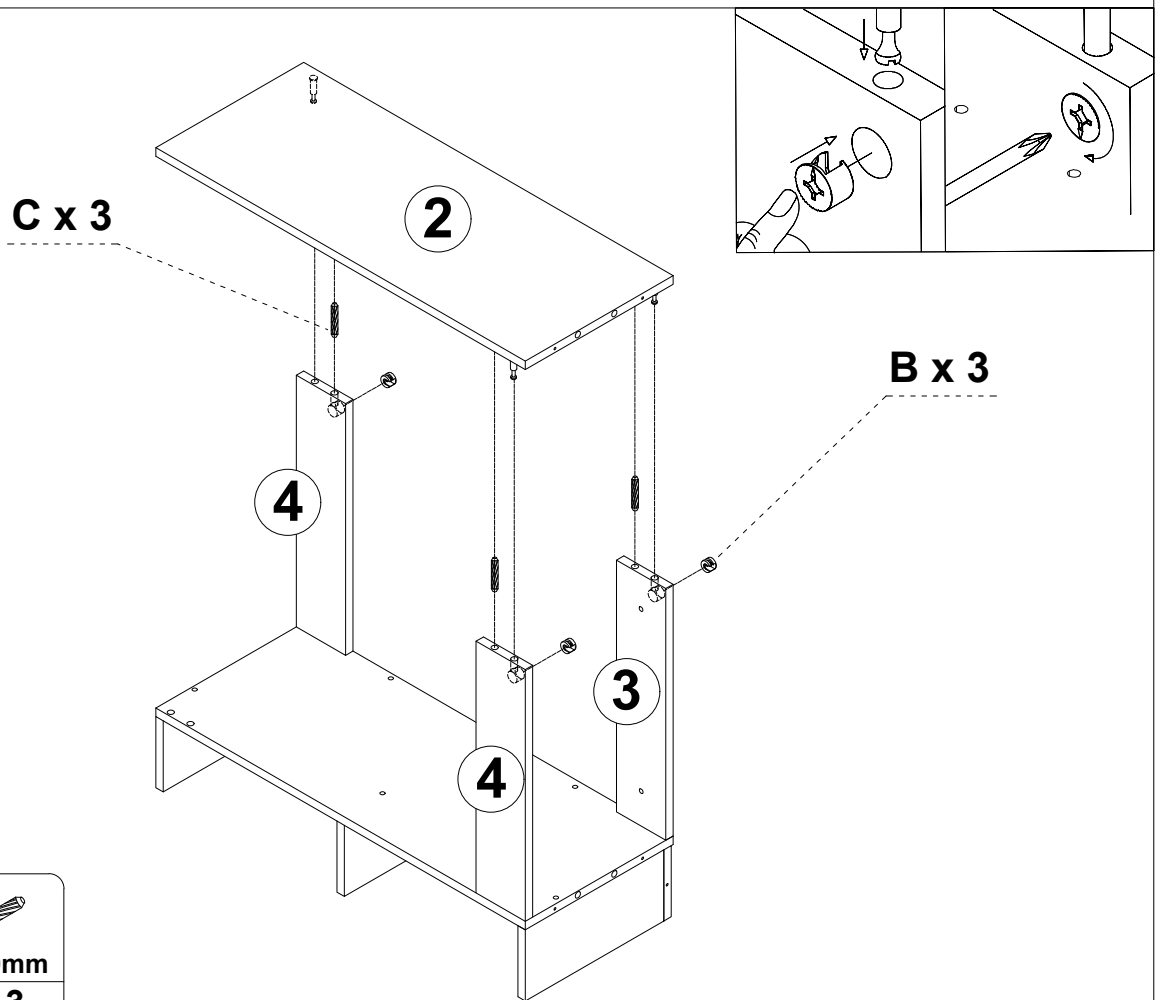
## Step 2



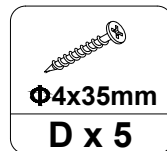
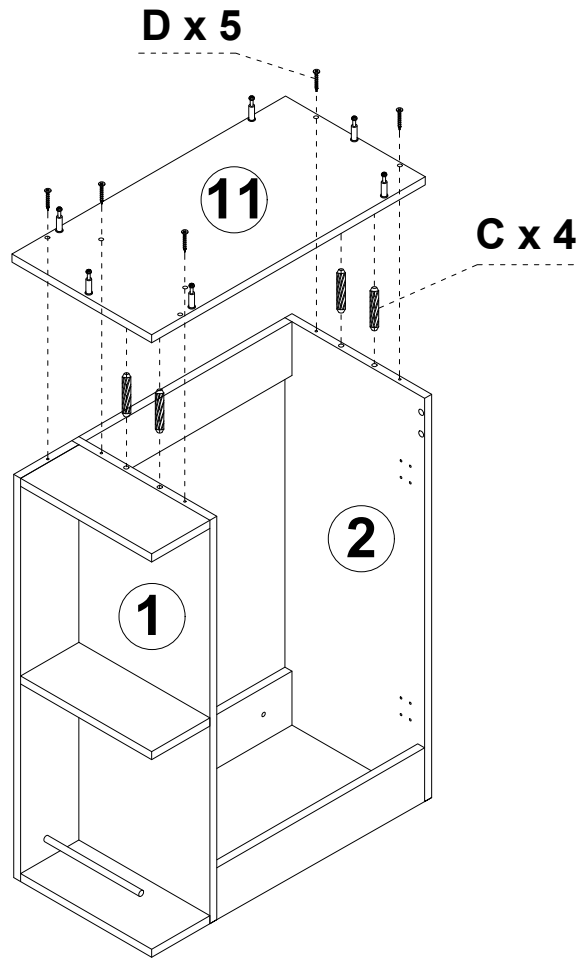
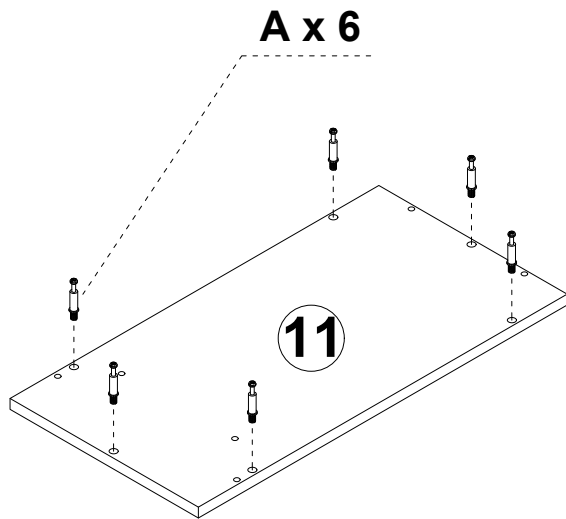
### Step 3



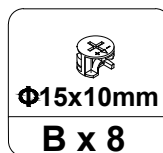
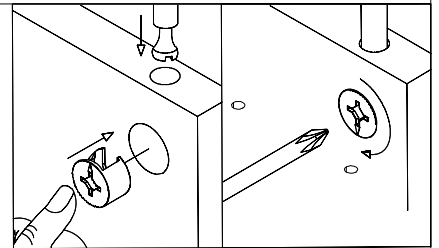
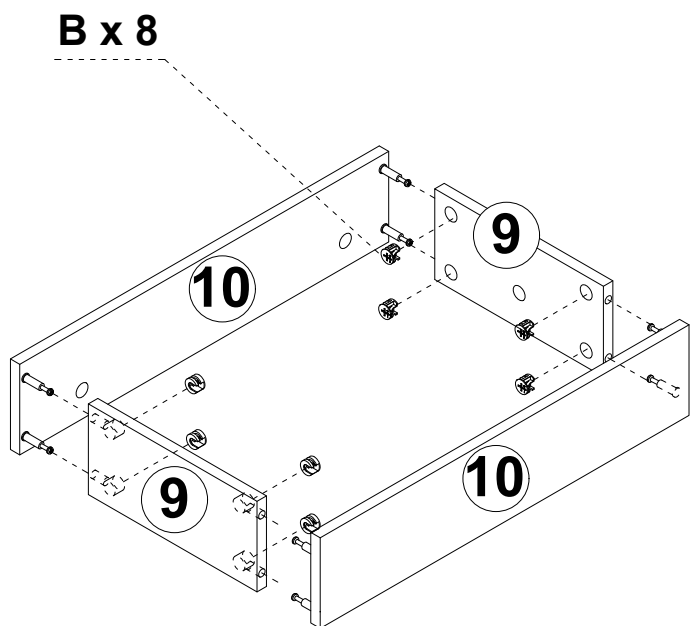
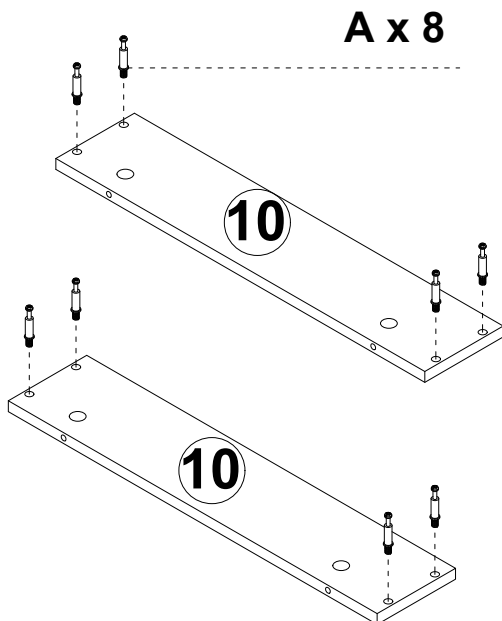
### Step 4



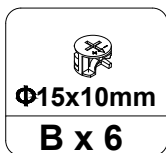
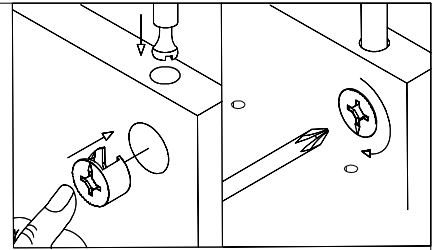
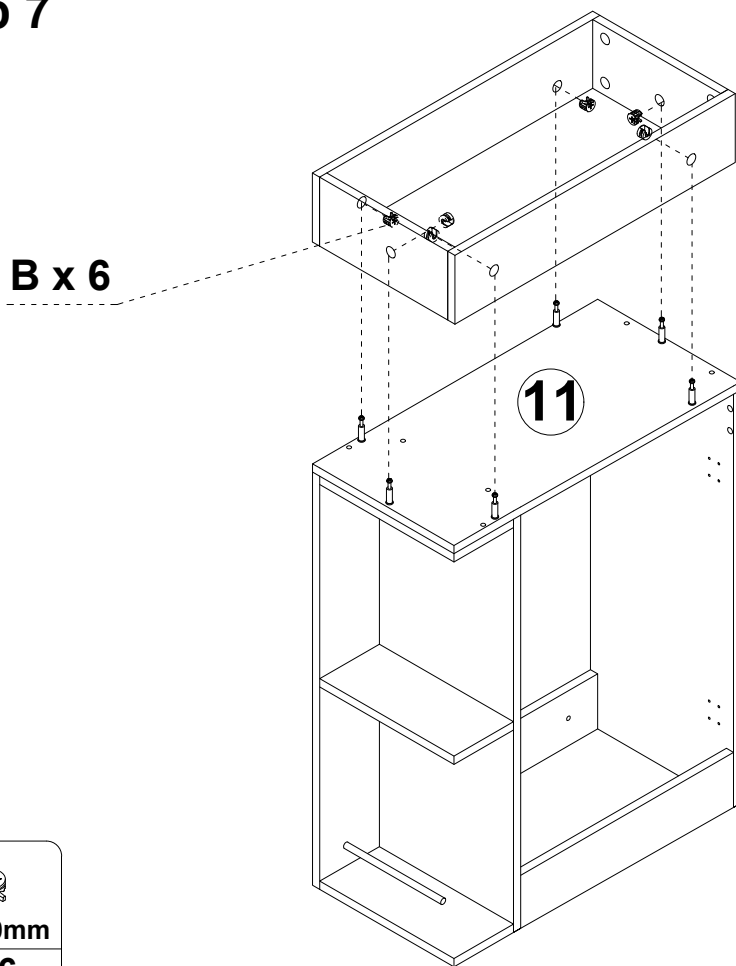
## Step 5



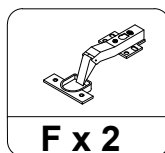
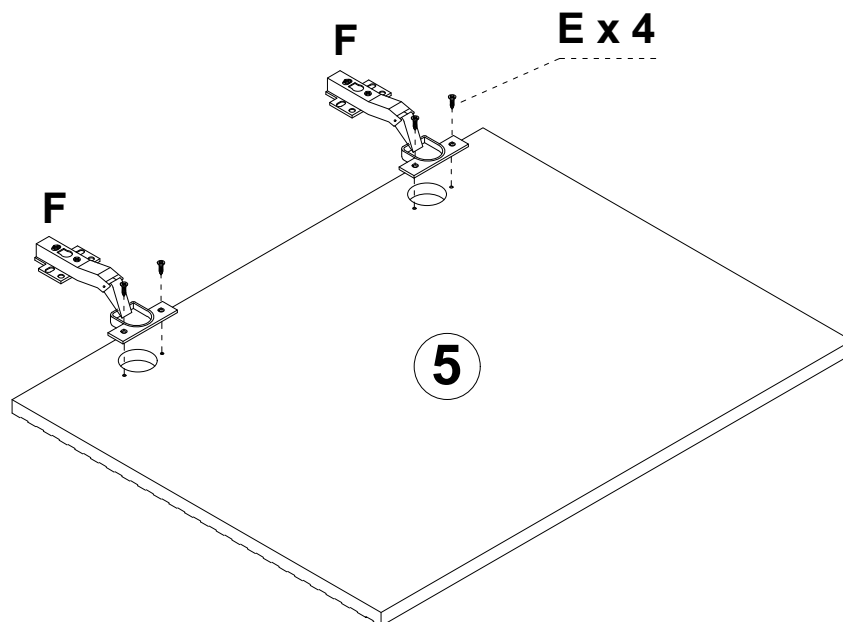
## Step 6



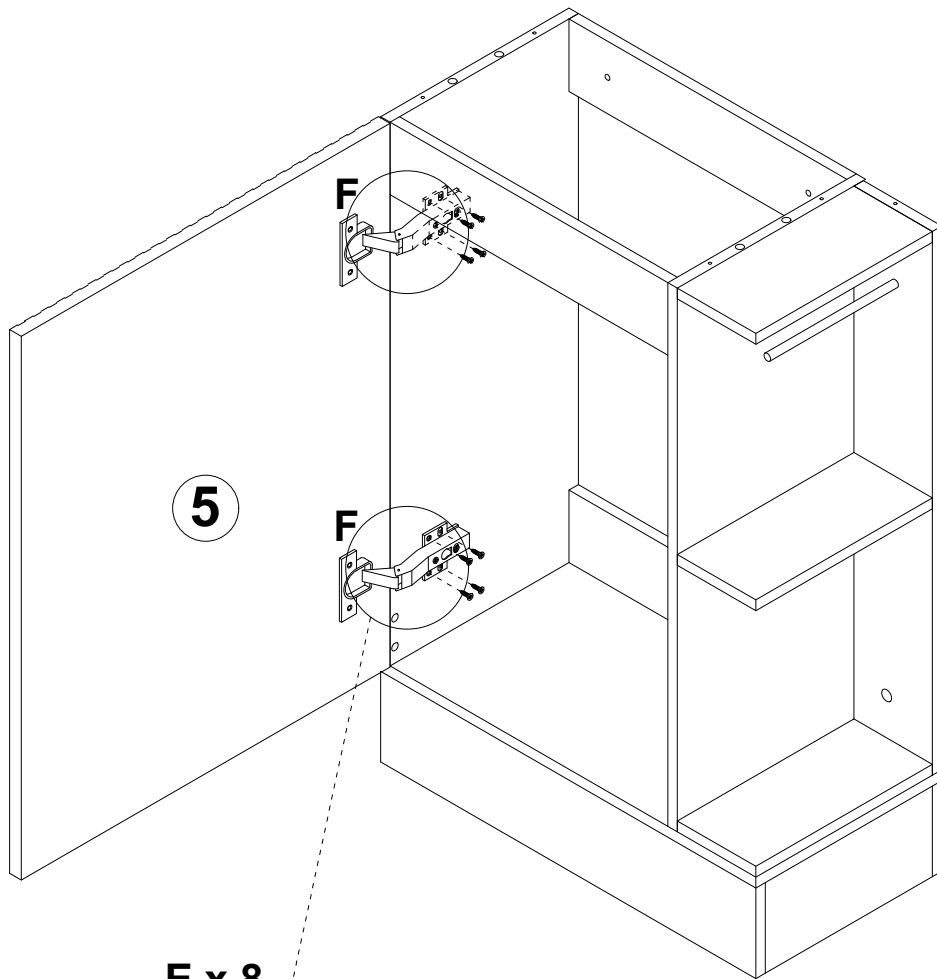
## Step 7



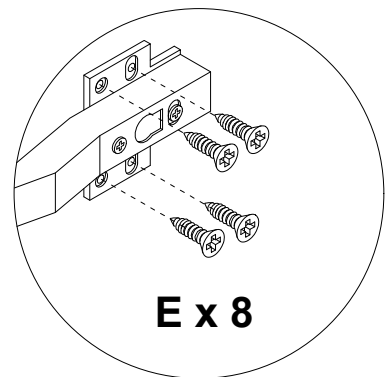
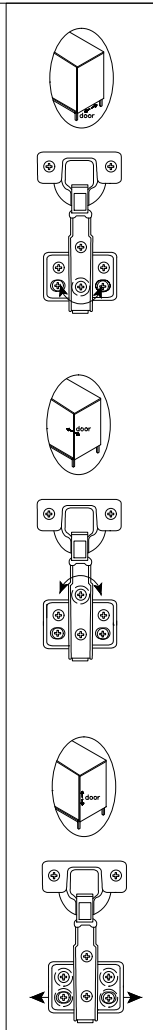
## Step 8



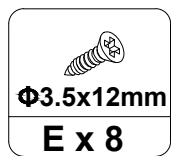
# Step 9



**Ex 8**



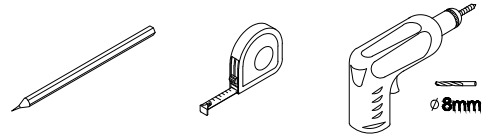
**Ex 8**



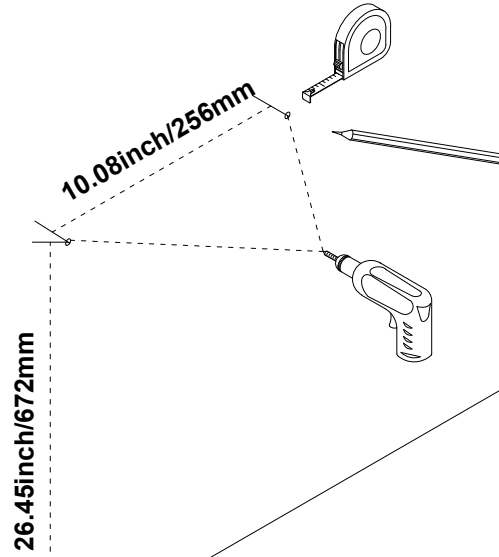
**Φ3.5x12mm**

**Ex 8**

# Step 10

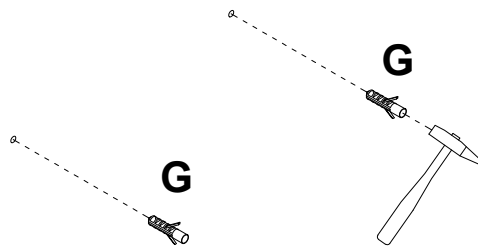


Wall

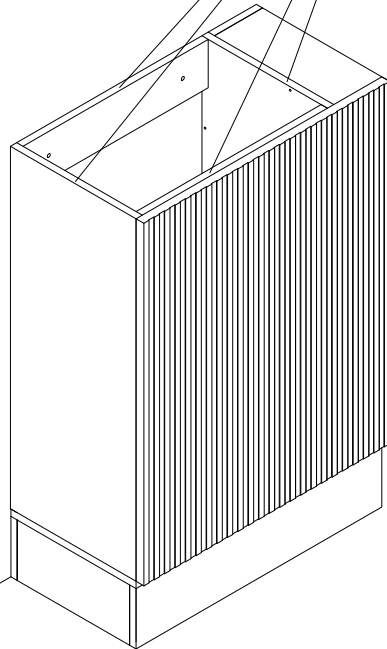
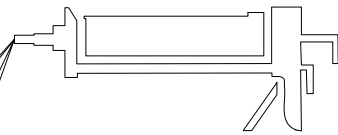
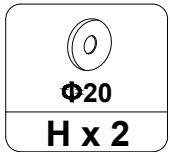
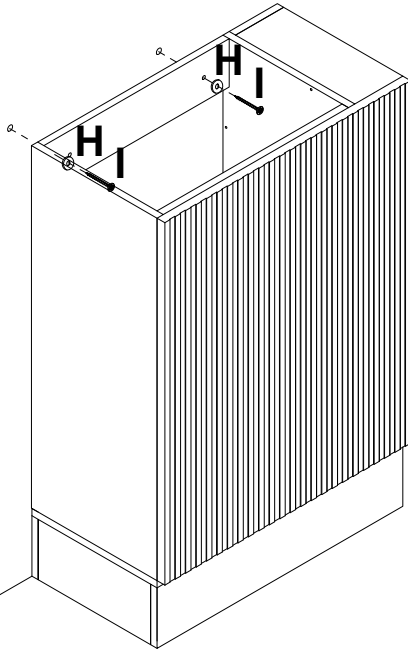


# Step 11

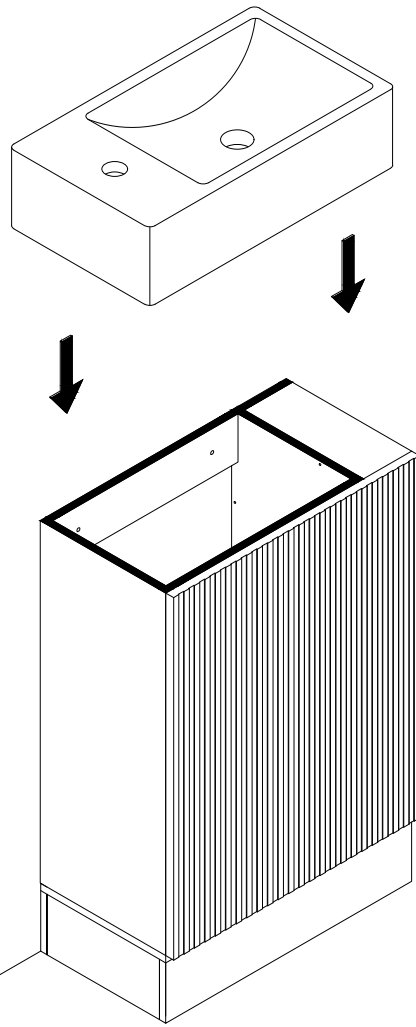
Wall

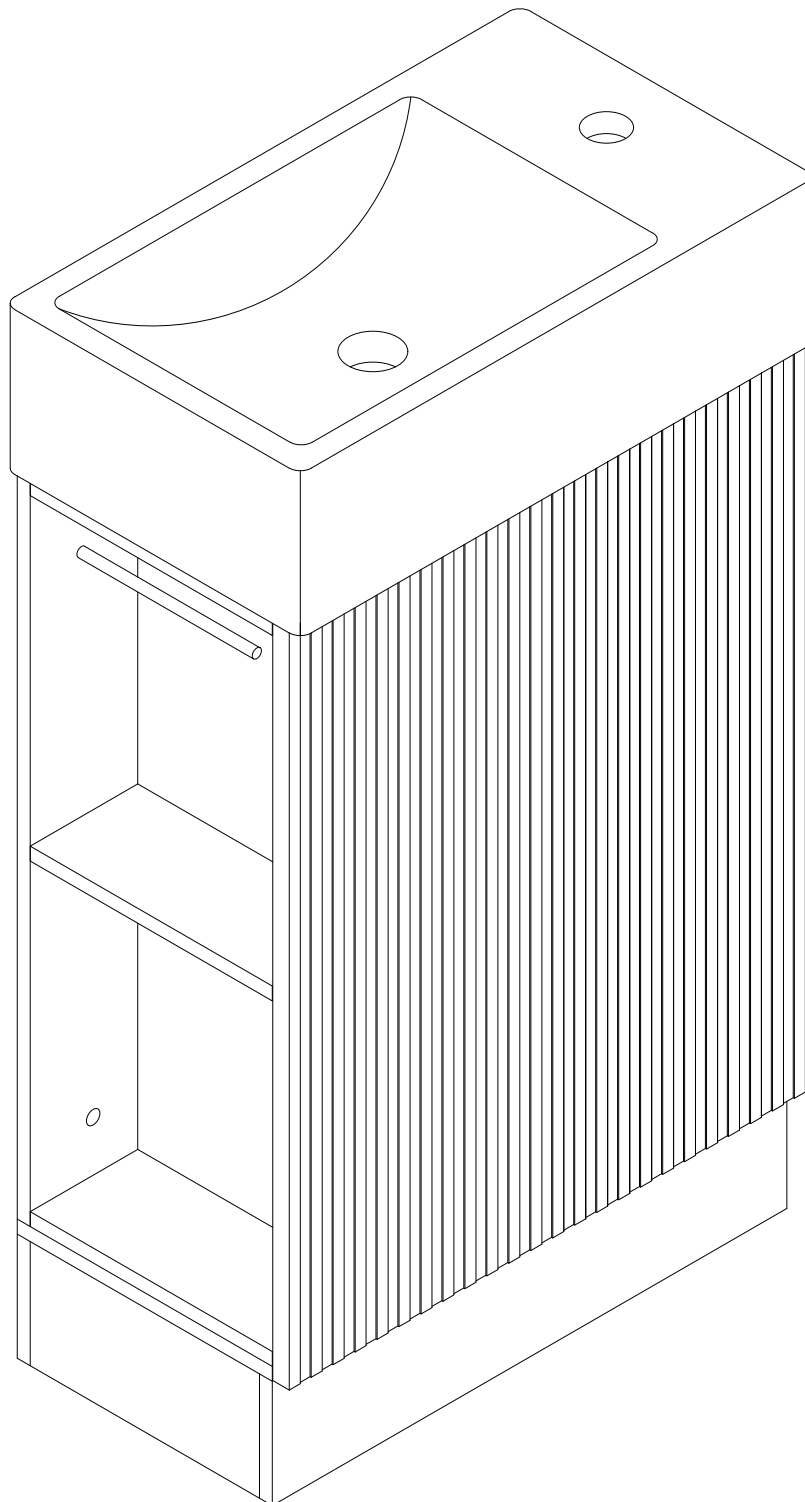


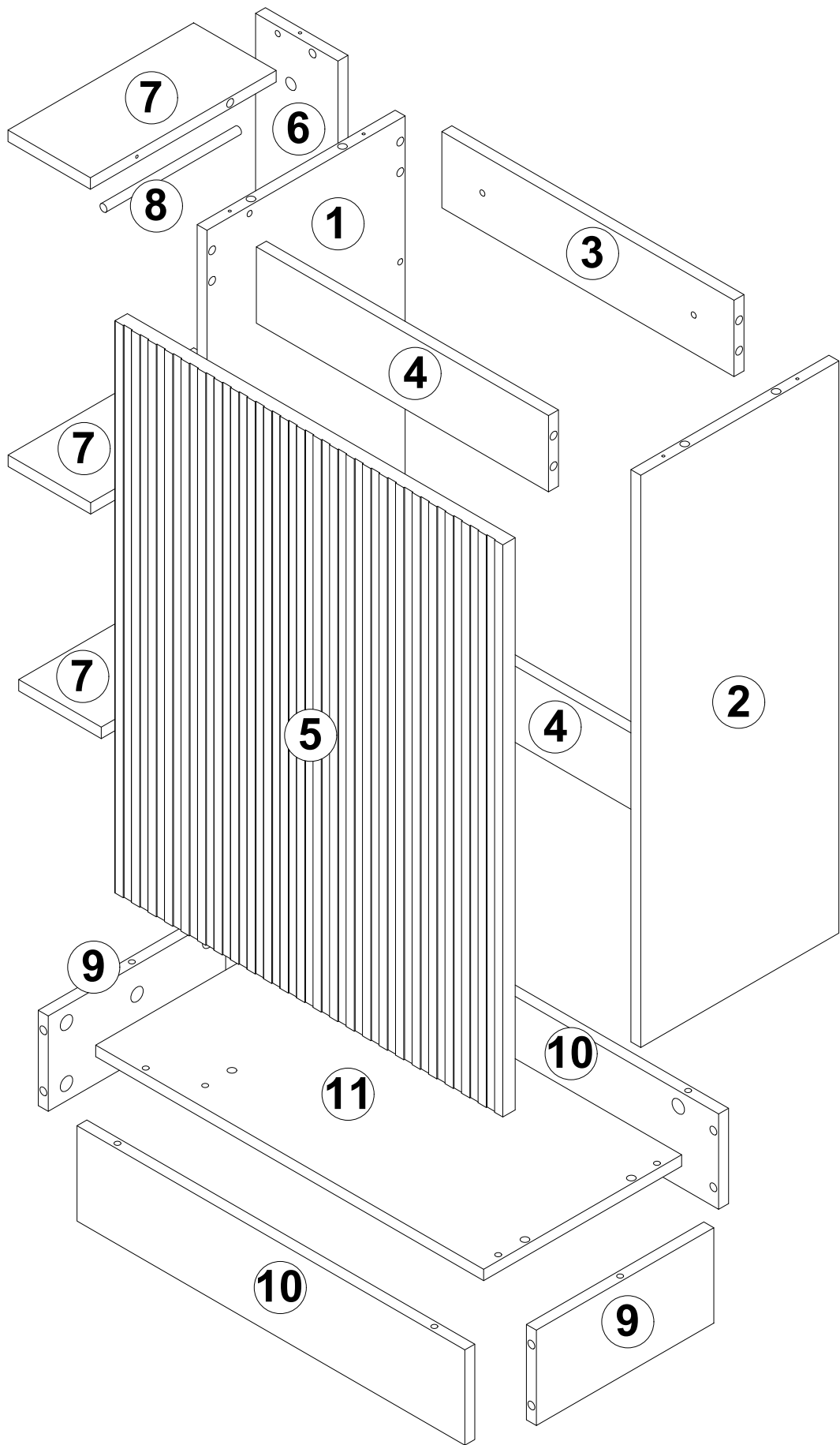
# Step 12

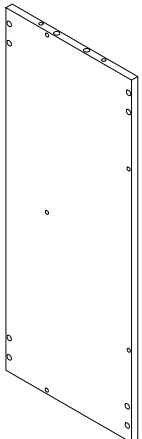
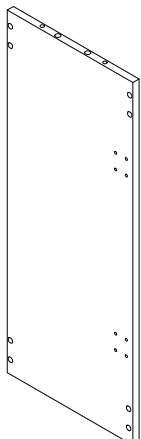
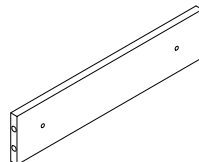
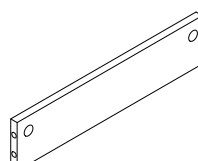
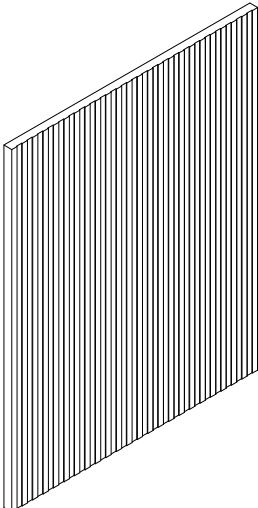
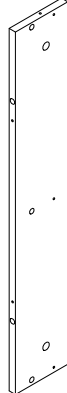
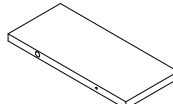
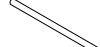
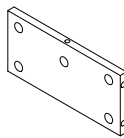
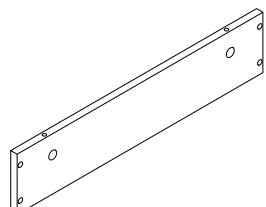
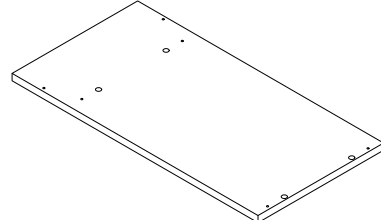


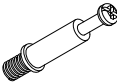
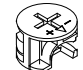

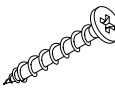

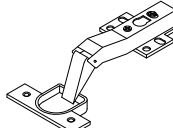
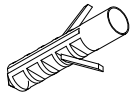
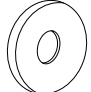
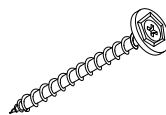
# Step 13



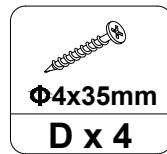
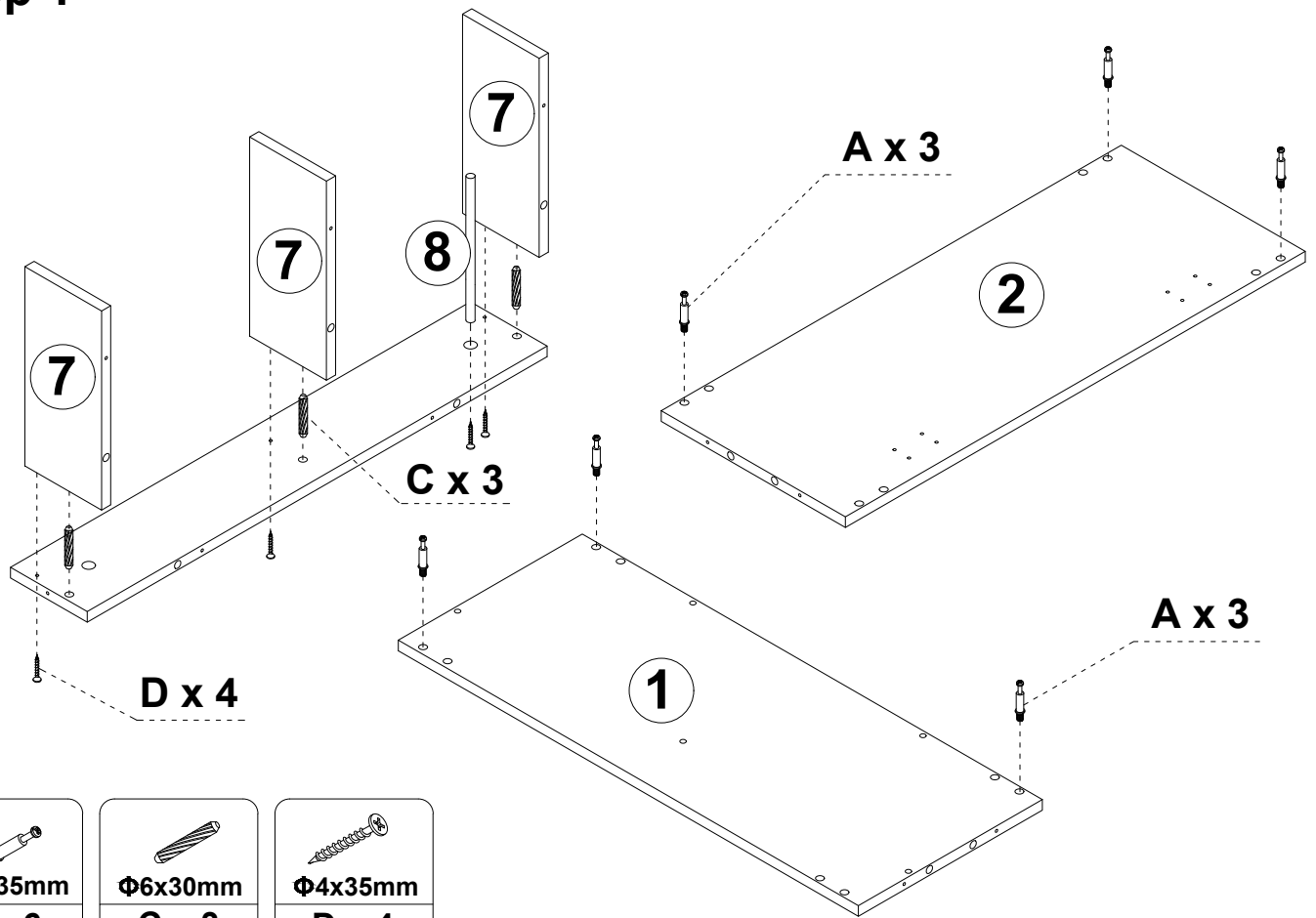




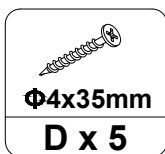
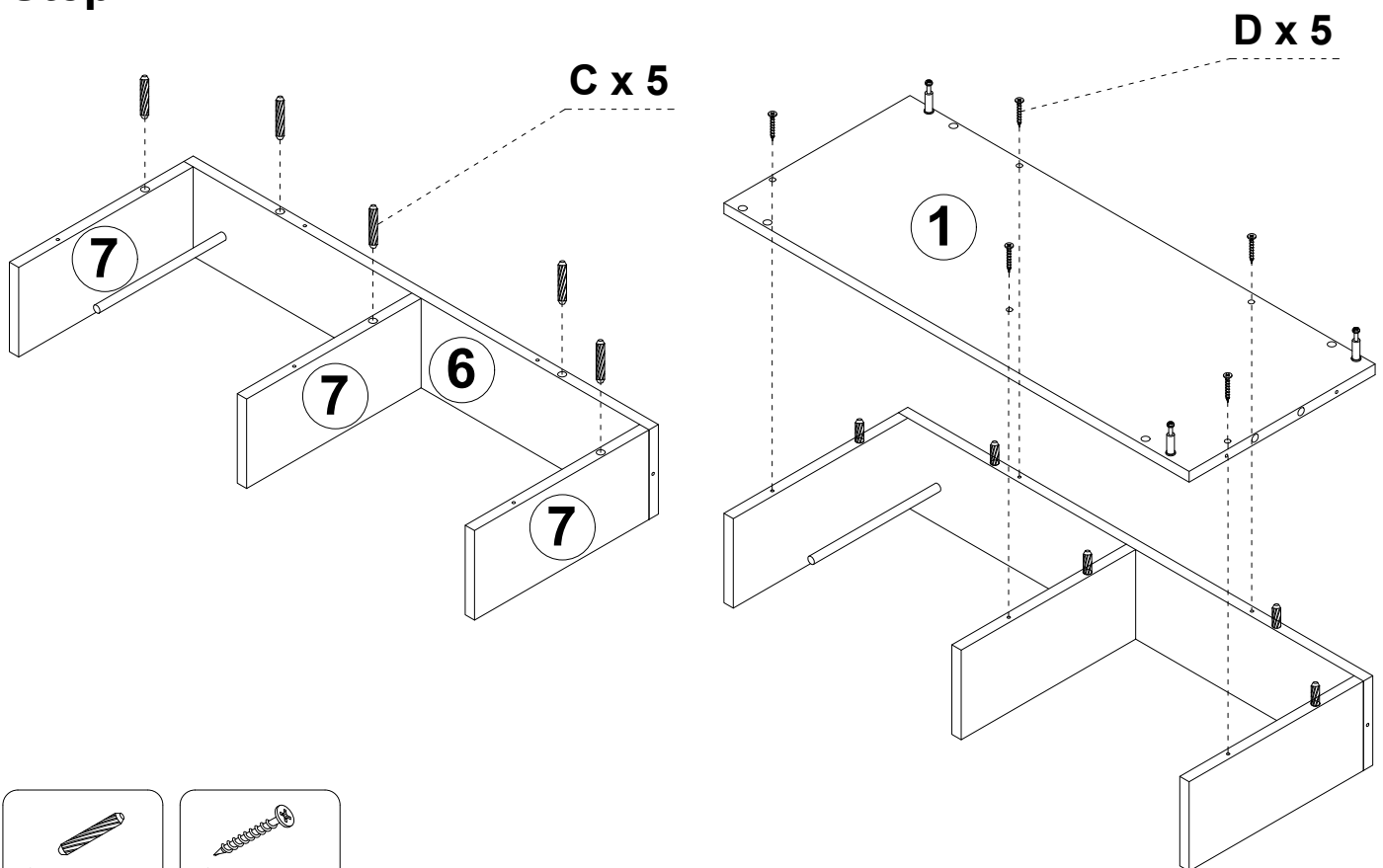
			
<b>① x 1</b>	<b>② x 1</b>	<b>③ x 1</b>	<b>④ x 2</b>
			
<b>⑤ x 1</b>	<b>⑥ x 1</b>	<b>⑦ x 3</b>	<b>⑧ x 1</b>
			
<b>⑨ x 2</b>	<b>⑩ x 2</b>	<b>⑪ x 1</b>	

					
<b>Φ6x35mm</b> <b>A x 20+2</b>	<b>Φ15x10mm</b> <b>B x 20+2</b>	<b>Φ6x30mm</b> <b>C x 18+1</b>	<b>Φ4x35mm</b> <b>D x 14+1</b>	<b>Φ3.5x12mm</b> <b>E x 12+1</b>	<b>F x 2</b>
					
<b>Φ8x40mm</b> <b>G x 2</b>	<b>Φ20</b> <b>H x 2</b>	<b>Φ6x60mm</b> <b>I x 2</b>			

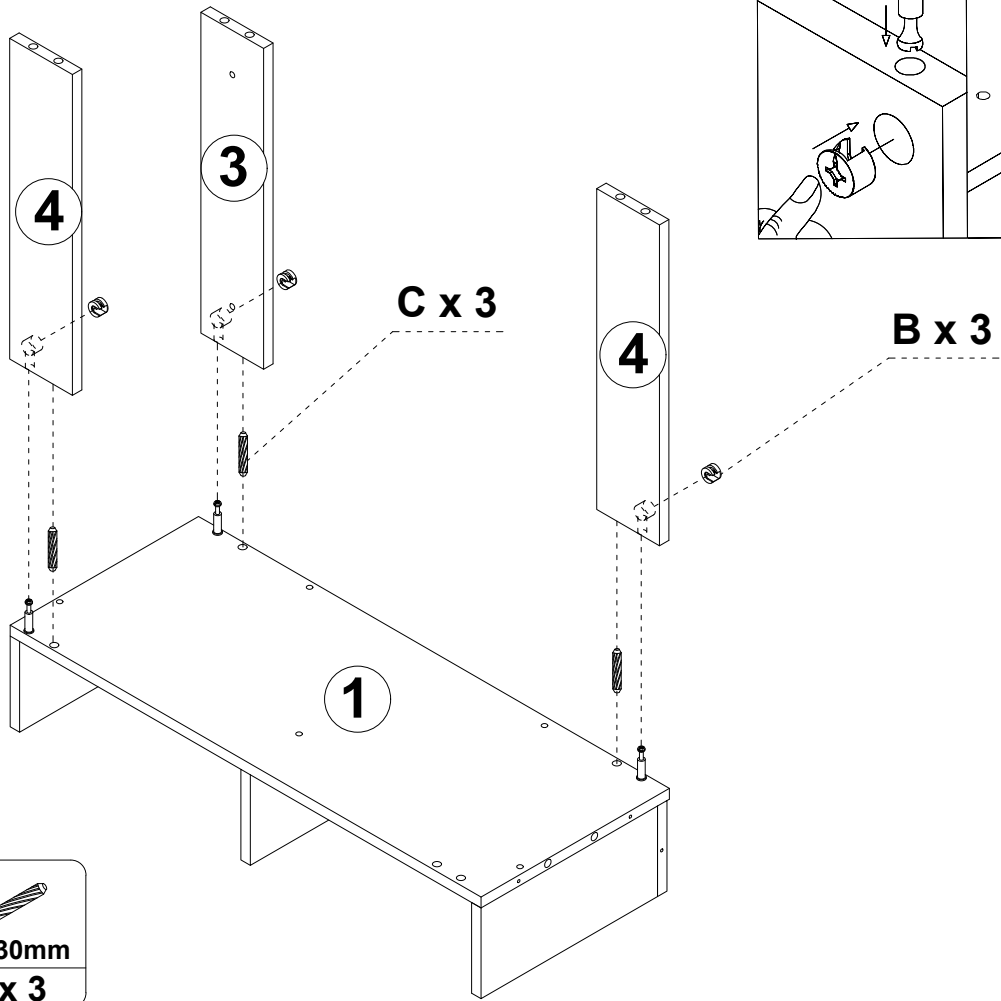
## Step 1



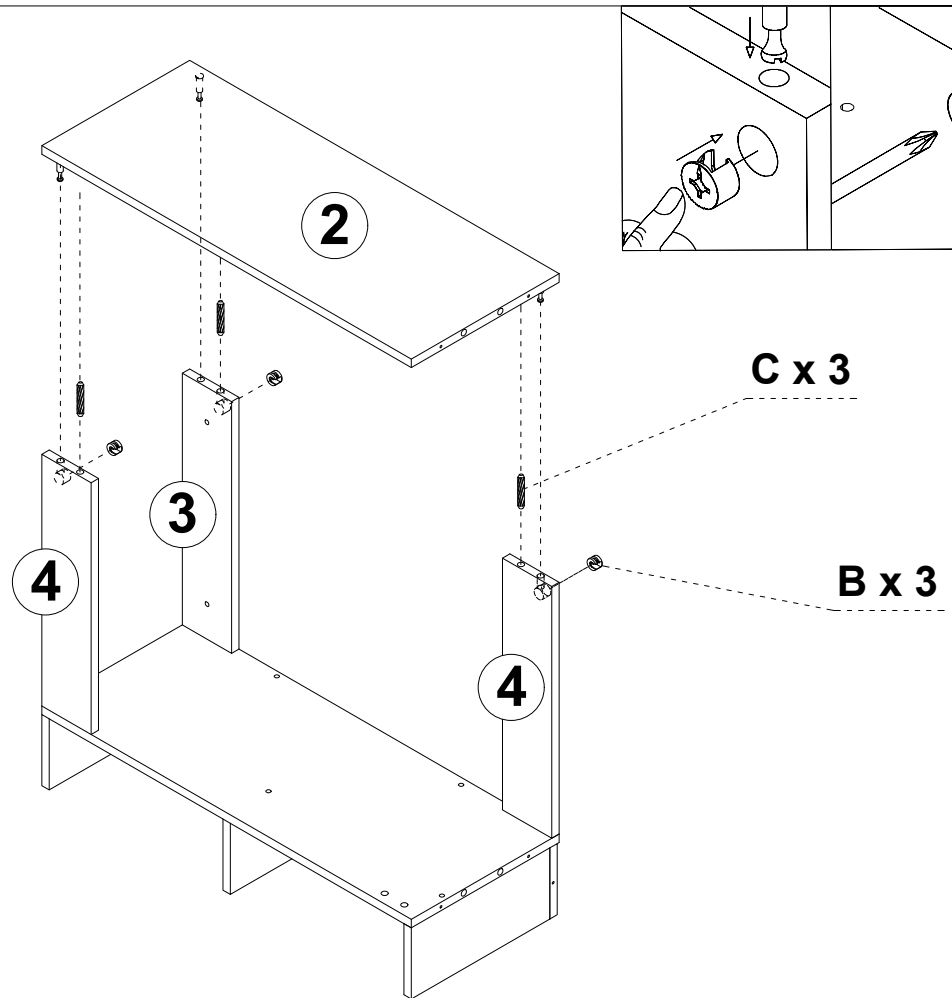
## Step 2



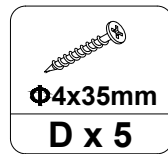
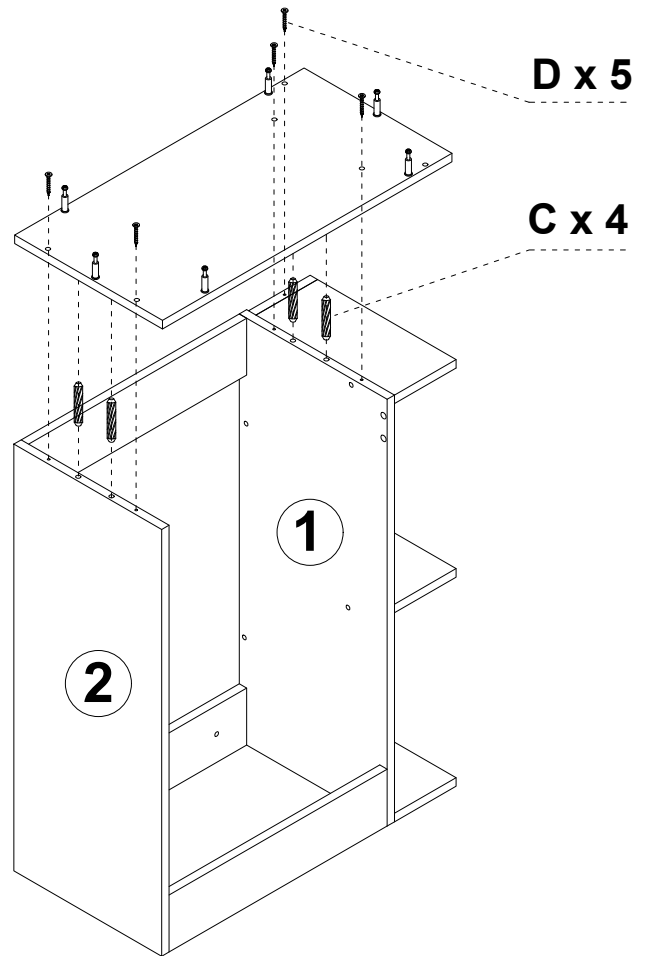
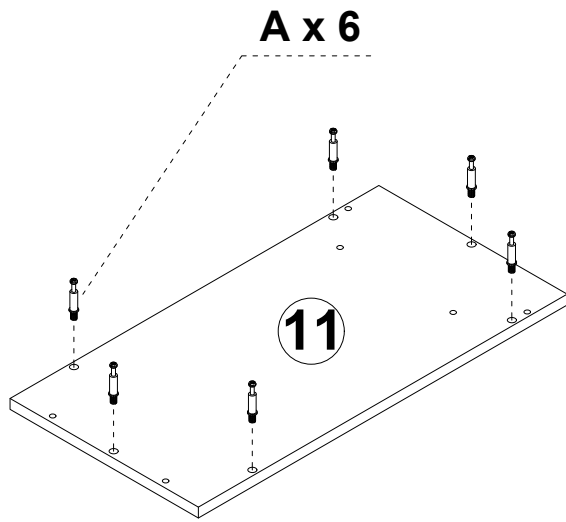
### Step 3



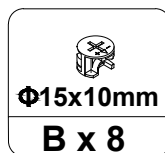
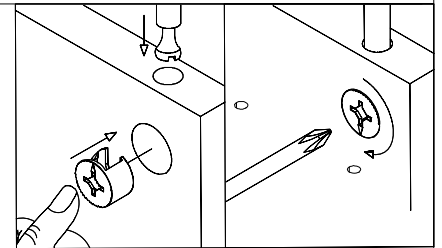
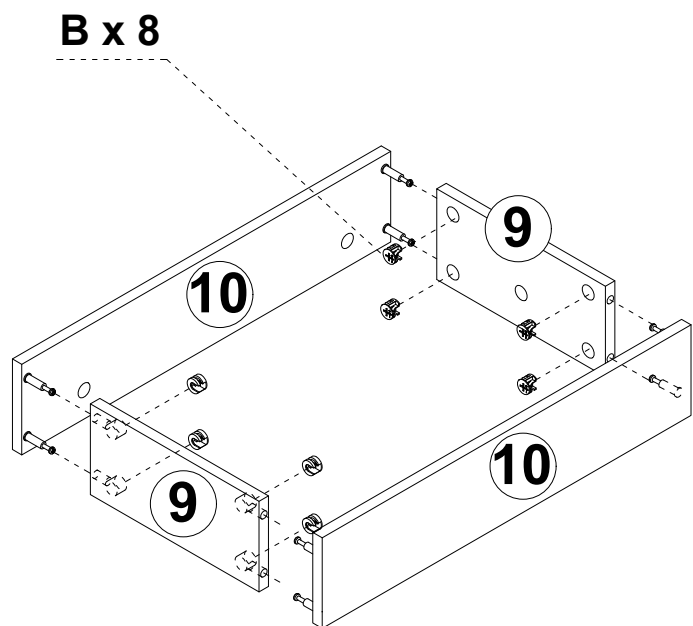
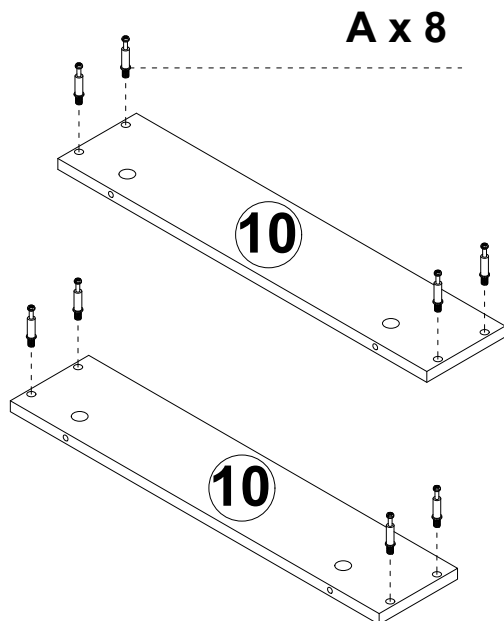
### Step 4



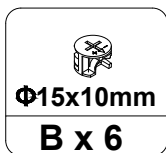
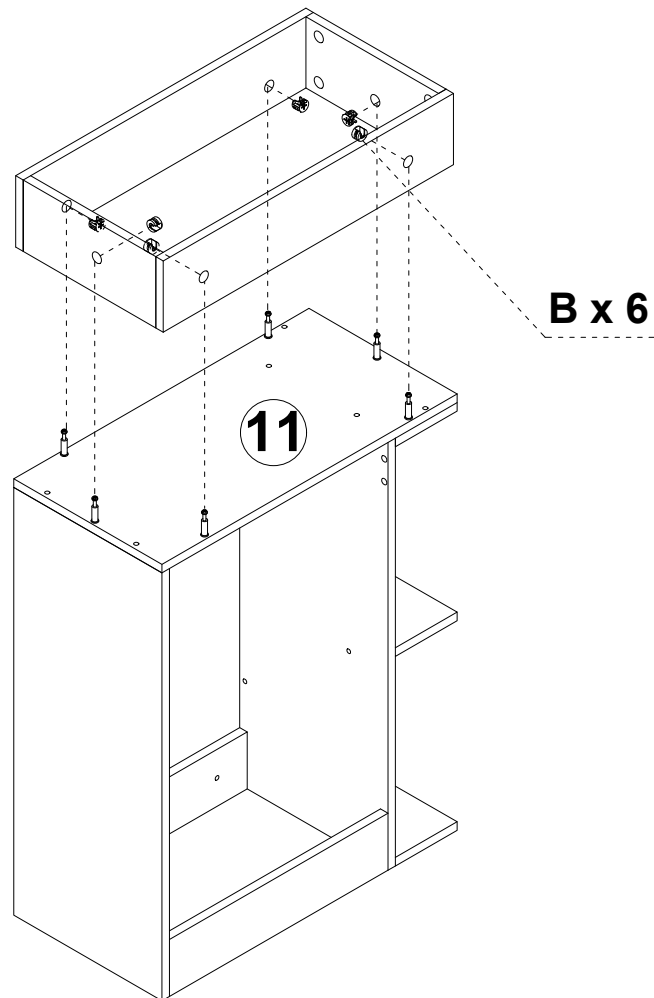
## Step 5



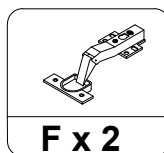
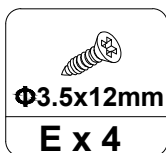
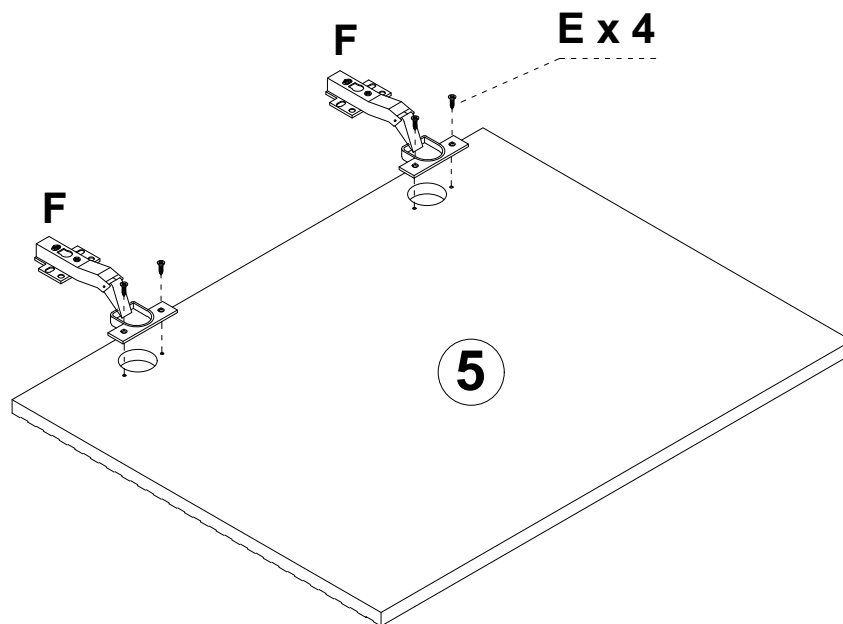
## Step 6



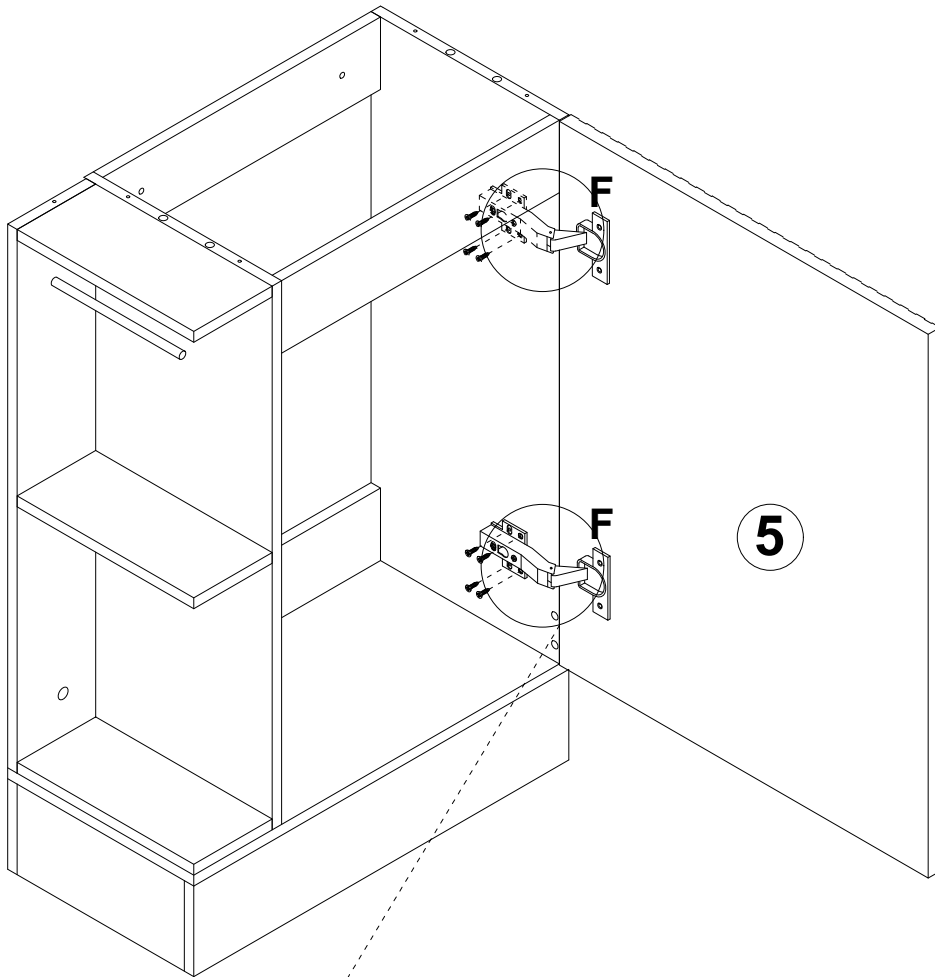
## Step 7



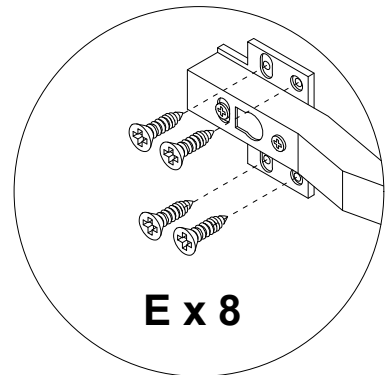
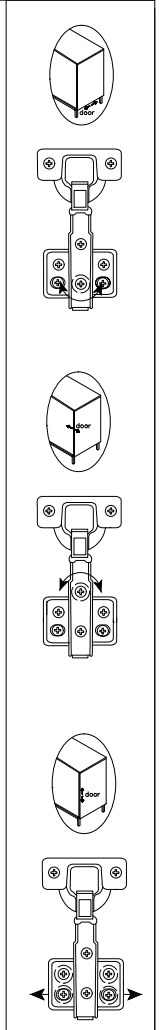
## Step 8



# Step 9



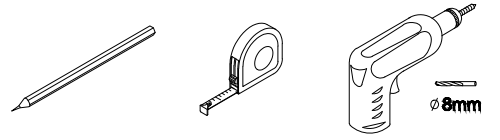
**E x 8**



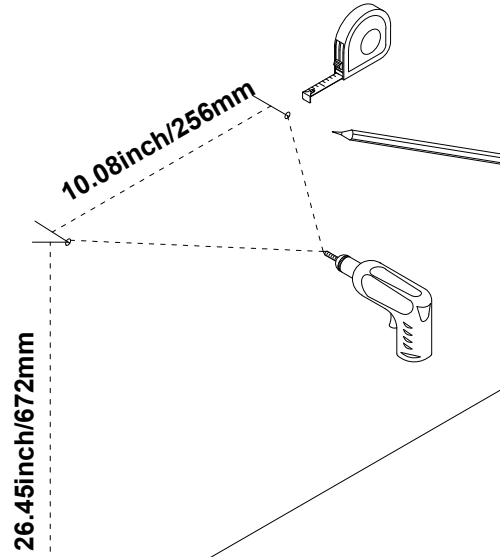
**E x 8**



# Step 10

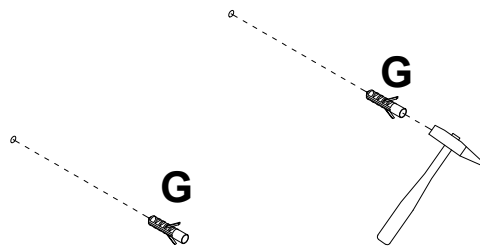


Wall



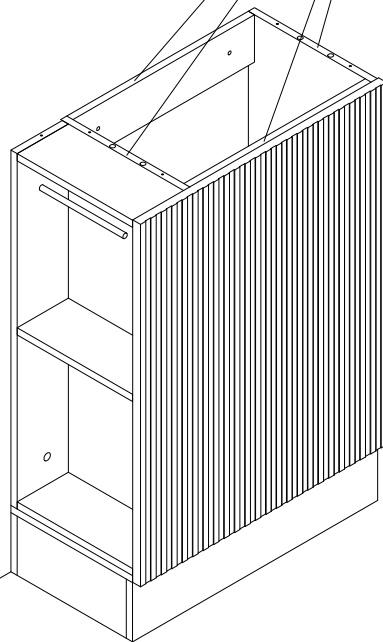
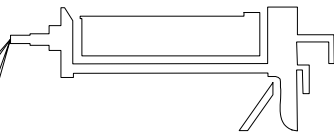
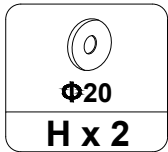
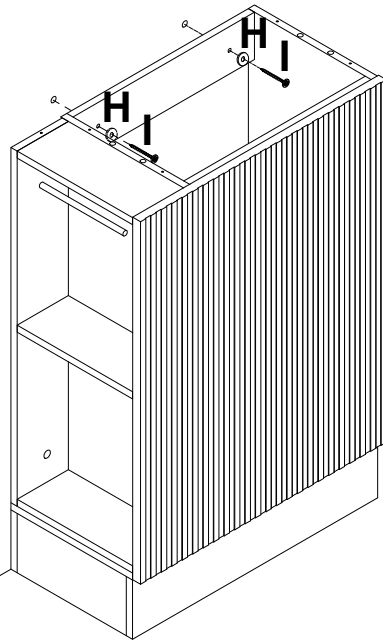
# Step 11

Wall



$\Phi 8 \times 40 \text{mm}$   
G x 2

# Step 12



# Step 13

