

Thank you for purchasing this quality product. Be sure to check all packing material carefully for small parts which may have come loose inside the carton during shipment. Separate, identify and count all parts and hardware. Compare with the parts list to be sure all parts are present.

**IMPORTANT : PLEASE READ INSTRUCTION BEFORE STARTING THE ASSEMBLY.**

**"DO NOT TIGHTEN SCREWS UNTIL COMPLETELY ASSEMBLED"**

**"DO NOT OVERTIGHT ANY HARDWARE"**

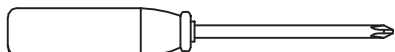
**WARNING : SMALL PARTS AND HARDWARE NOT FOR CHILDREN UNDER 3 YEARS. ADULT ASSEMBLY REQUIRED.**

TABLE OF CONTENTS

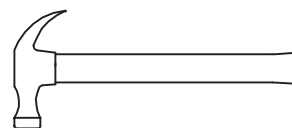
HARDWARES LIST	PAGE 2
PARTS LIST	PAGE 3 - 4
PARTS' LOCATION	PAGE 5
ASSEMBLY STEPS	PAGE 6 - 13
ASSEMBLY COMPLETED	PAGE 13

ASSEMBLY TOOLS REQUIRED

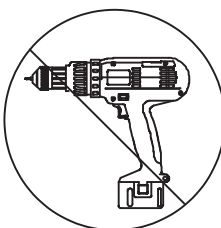
1. Screwdriver (not provide)



2. Hammer (not provide)




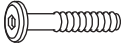
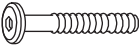









Skip the power drill this time.



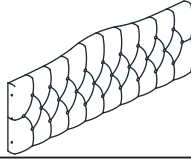
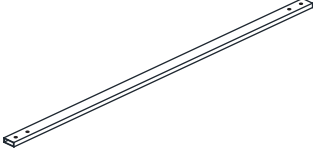
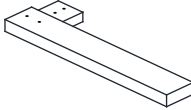
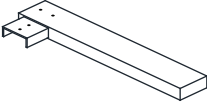
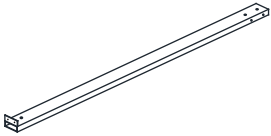
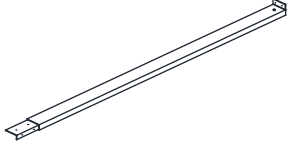
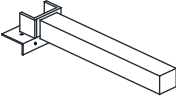
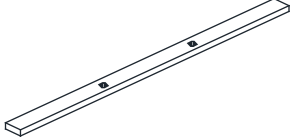
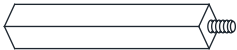
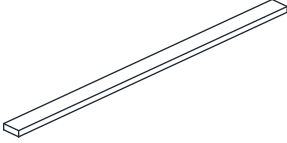
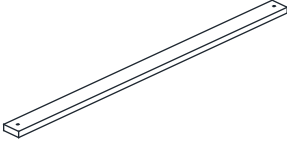
# 80132-711/721/731/741 ASSEMBLY INSTRUCTION

## HARDWARES LIST

ITEM	DESCRIPTION	DRAWING	QTY
A	JCBC SCREW M8 x 70MM		4 PCS
B	WOOD DOWEL M10 x 30MM		4 PCS
C	JCBC SCREW M6 x 15MM		20 PCS
D	JCBC SCREW M6 x 35MM		10 PCS
E	JCBC SCREW M6 x 50MM		2 PCS
F	SPRING WASHER M6 x 12MM		12 PCS
G	FLAT WASHER M6 x 19MM		12 PCS
H	SPRING WASHER M8 x 13MM		4 PCS
I	FLAT WASHER M8 x 22MM		4 PCS
J	M4 ALLEN KEY (100MM)		1 PC
K	M5 ALLEN KEY (65MM)		1 PC
L	SUPPORT LEG ADJUSTABLE FEET		8 PCS

# 80132-711/721/731/741 ASSEMBLY INSTRUCTION

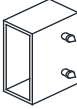
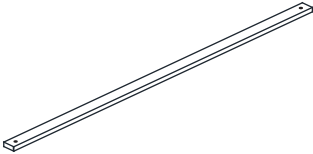
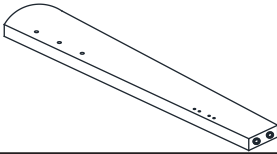
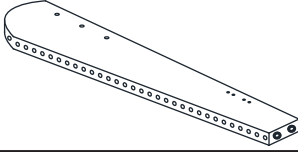
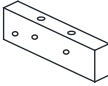
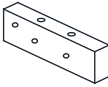



## PARTS LIST

ITEM	DESCRIPTION	DRAWING	QTY
1	HEADBOARD		1 PC
2	FOOTBOARD METAL TUBE		1 PC
3	FOOTBOARD LEG (L)		1 PC
4	FOOTBOARD LEG (R)		1 PC
5	SIDE RAIL		2 PCS
6	SIDE RAIL		2 PCS
7	SIDE RAIL LEG		2 PCS
8	SLAT WITH NUT		4 PCS
9	SUPPORT LEG WITH HANGER BOLT		8 PCS
10	SLAT		8 PCS
11	CENTER SUPPORT		4 PCS

MORE PARTS DETAIL IN NEXT PAGE...

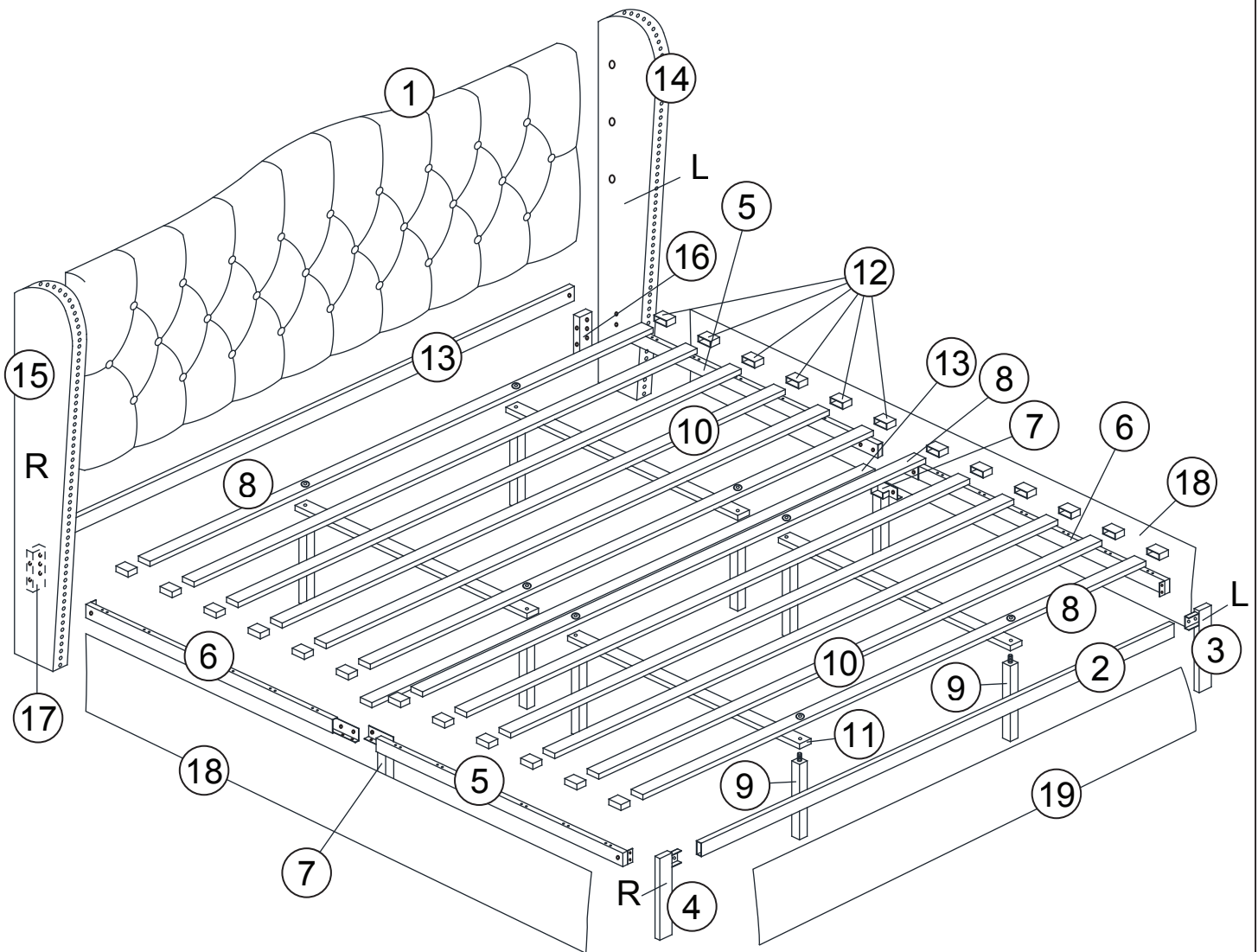
# 80132-711/721/731/741 ASSEMBLY INSTRUCTION

## PARTS LIST

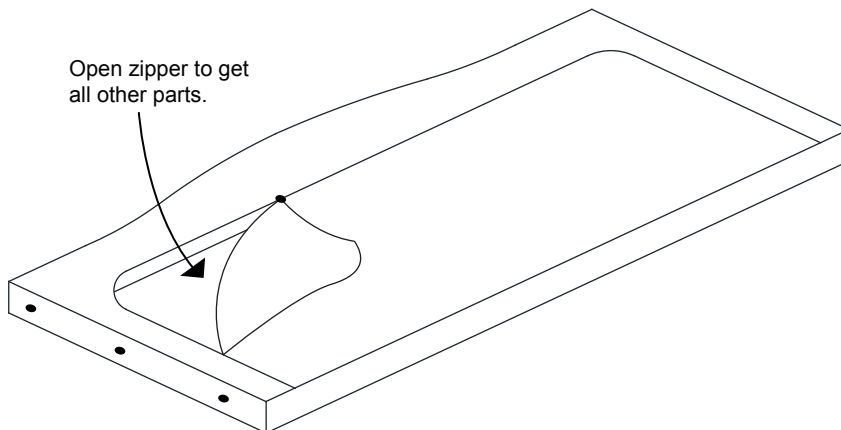
ITEM	DESCRIPTION	DRAWING	QTY
12	SOCKET		24 PCS
13	SUPPORT RAIL		2 PCS
14	WING (L)		1 PC
15	WING (R)		1 PC
16	WING SUPPORT (L)		1 PC
17	WING SUPPORT (R)		1 PC
18	SIDE RAIL COVER		2 PCS
19	FOOTBOARD COVER		1 PC
24	VELCRO TAPE		1 PC

# 80132-711/721/731/741 ASSEMBLY INSTRUCTION

## PARTS ' LOCATION



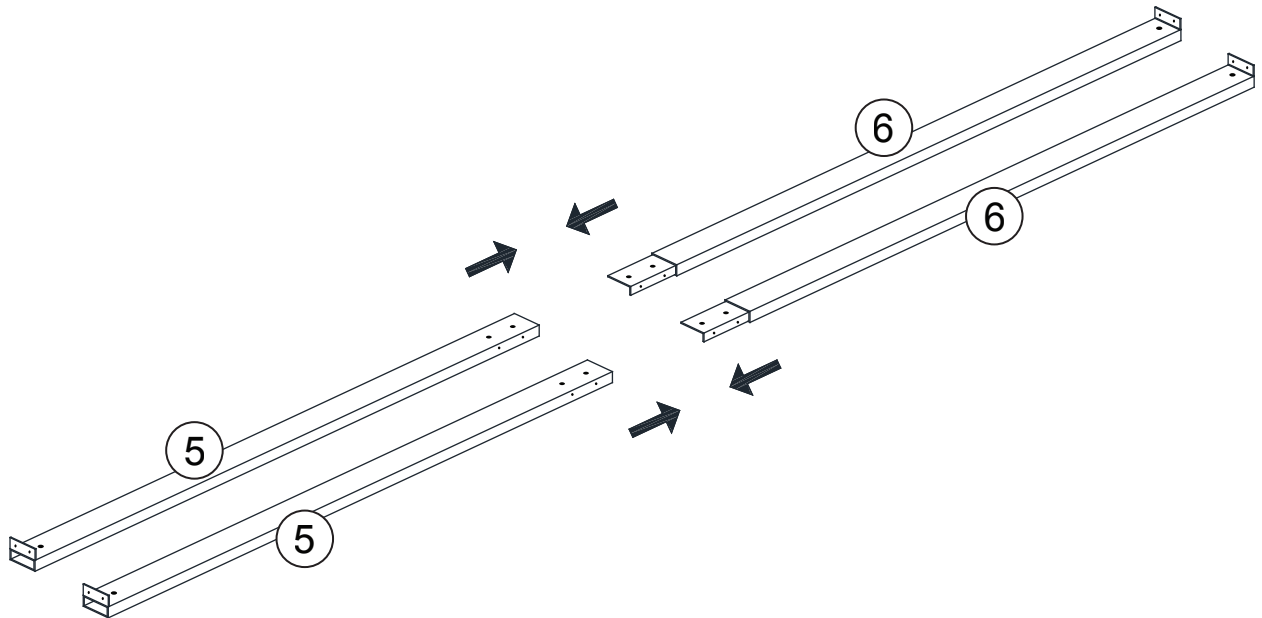
Open zipper to get  
all other parts.



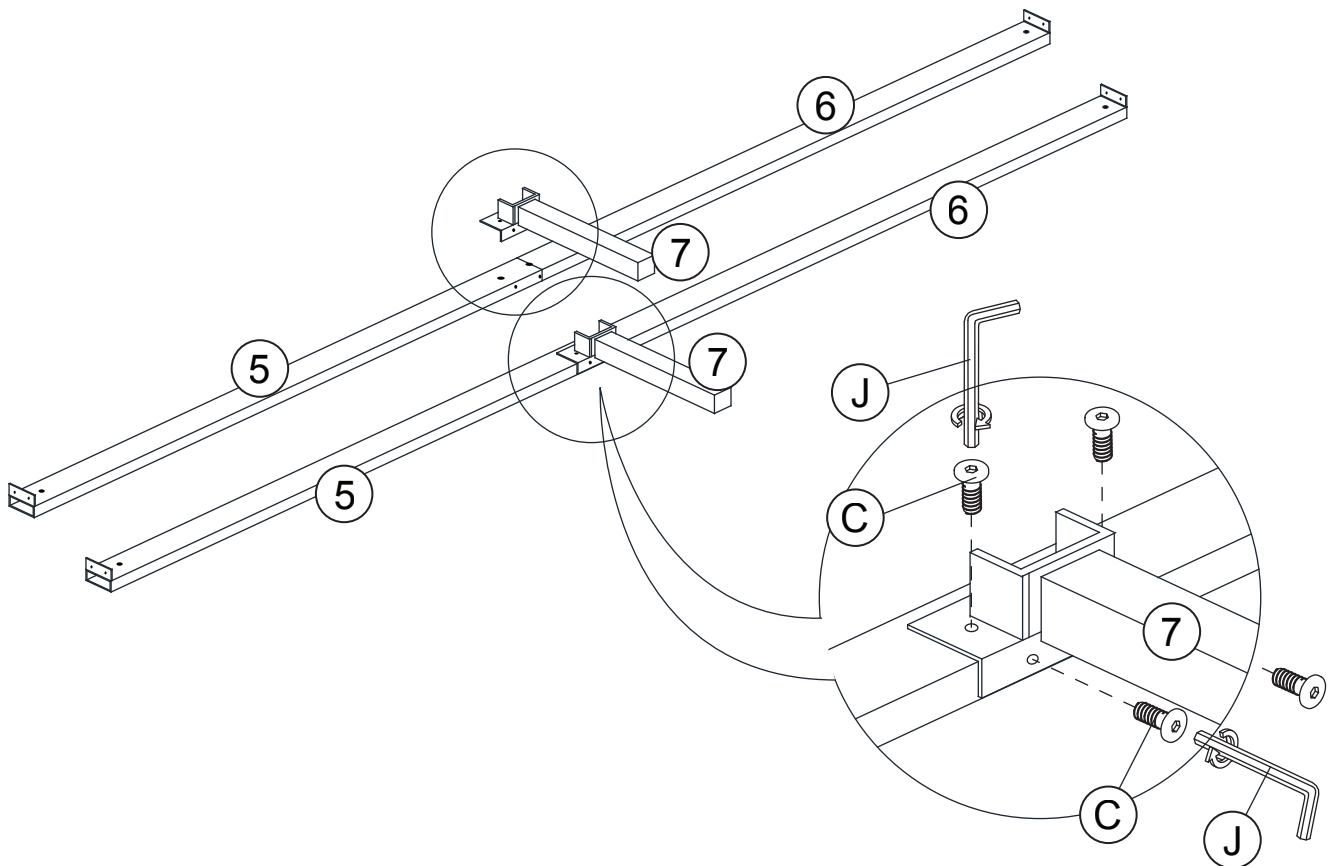


# 80132-711/721/731/741 ASSEMBLY INSTRUCTION

## STEP 3

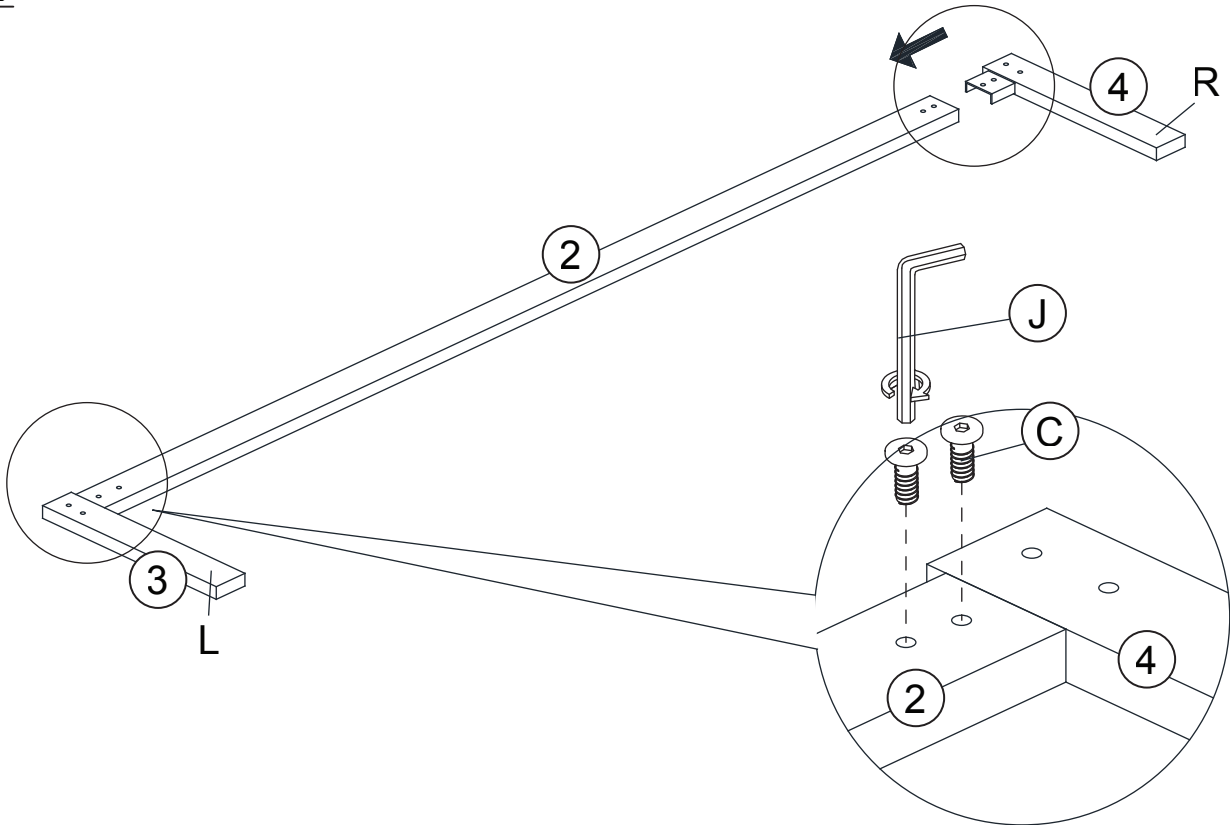


## STEP 4

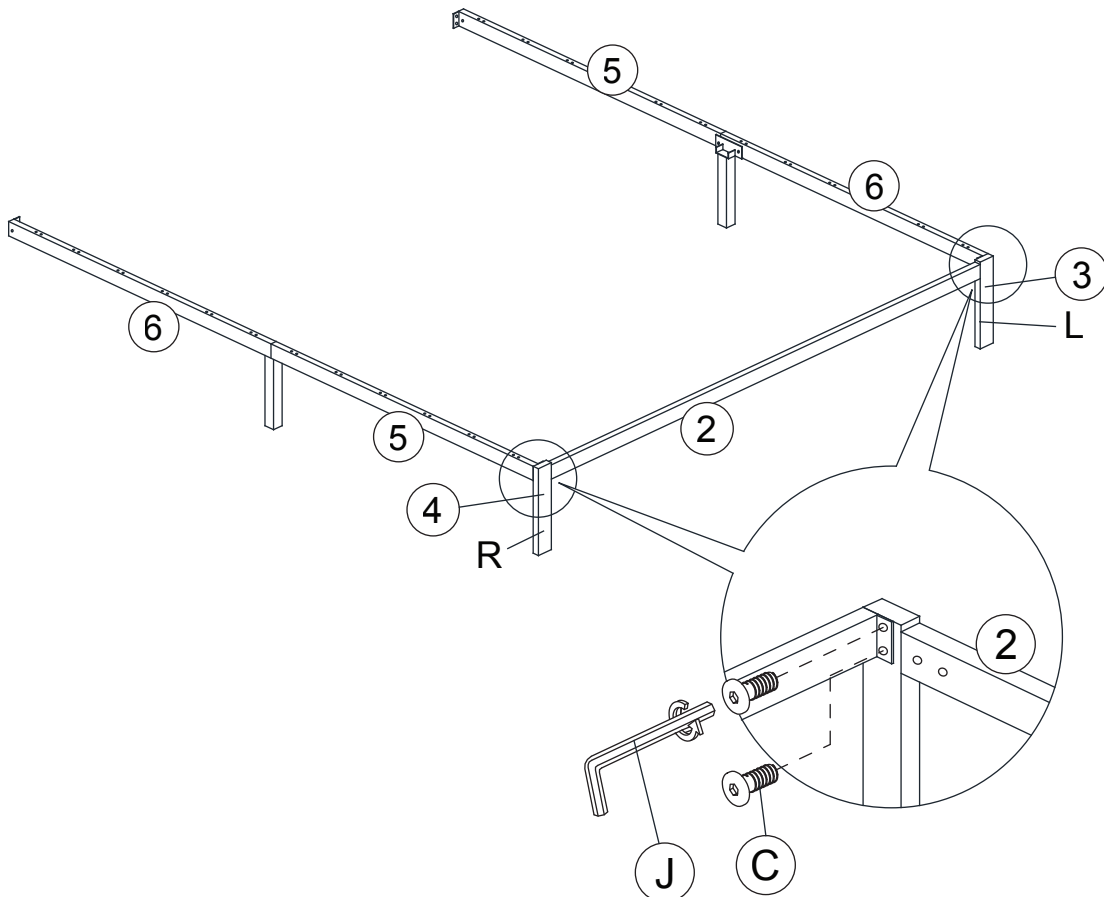


# 80132-711/721/731/741 ASSEMBLY INSTRUCTION

## STEP 5



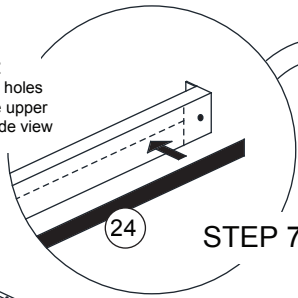
## STEP 6



# 80132-711/721/731/741 ASSEMBLY INSTRUCTION

## STEP 7

**REMINDER:**  
Do not cover the holes  
and paste on the upper  
position of the side view  
of the side rail  
as shown.



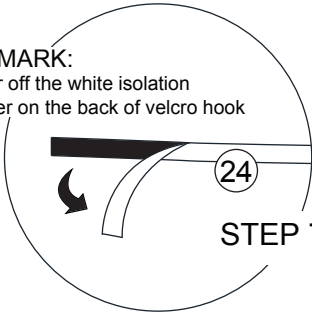
**STEP 7.2**

velcro start  
tape from here

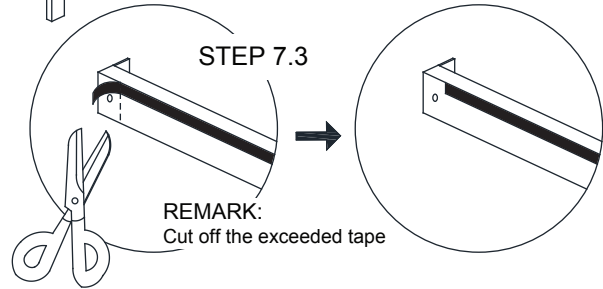
**REMARK:**  
Clean the sticking part and  
keep it clean before sticking  
the velcro, to avoid affecting  
the stickiness.

velcro will  
be end here

**REMARK:**  
Tear off the white isolation  
paper on the back of velcro hook



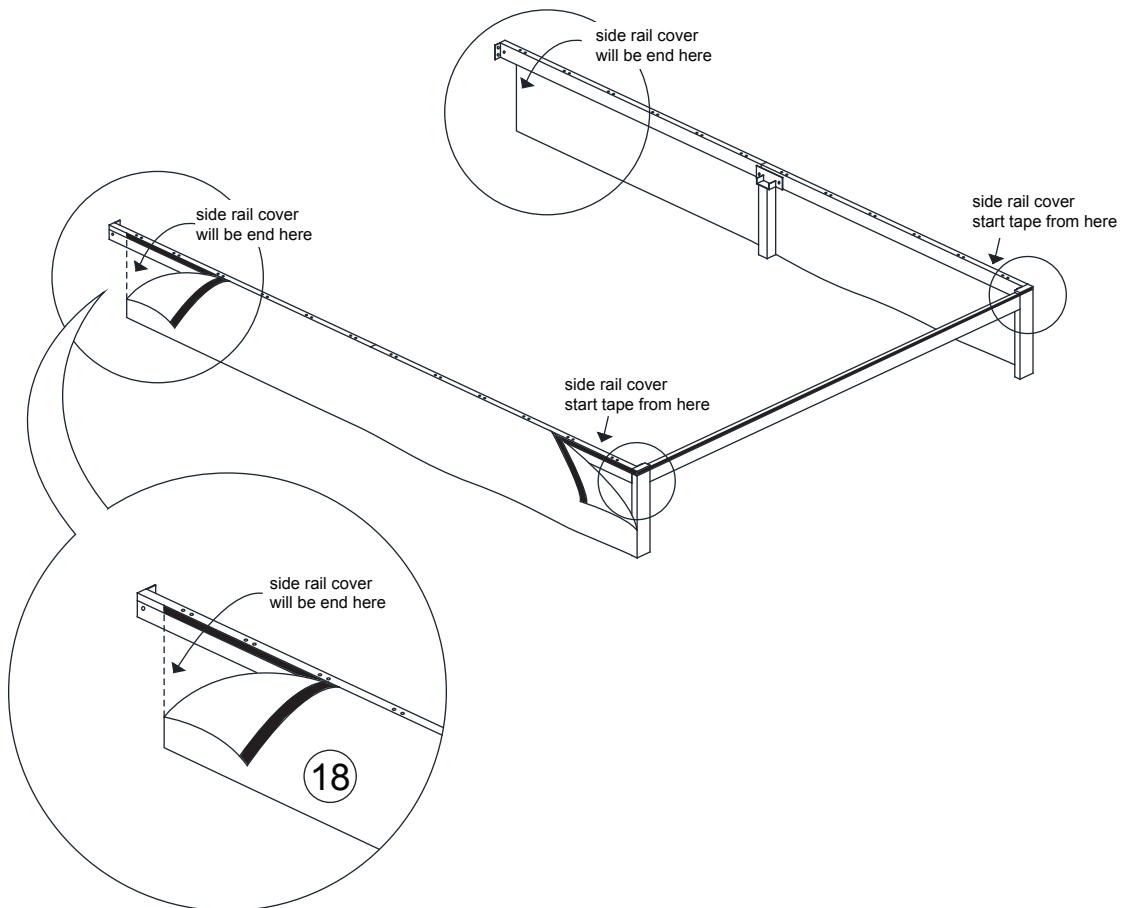
**STEP 7.1**



**STEP 7.3**

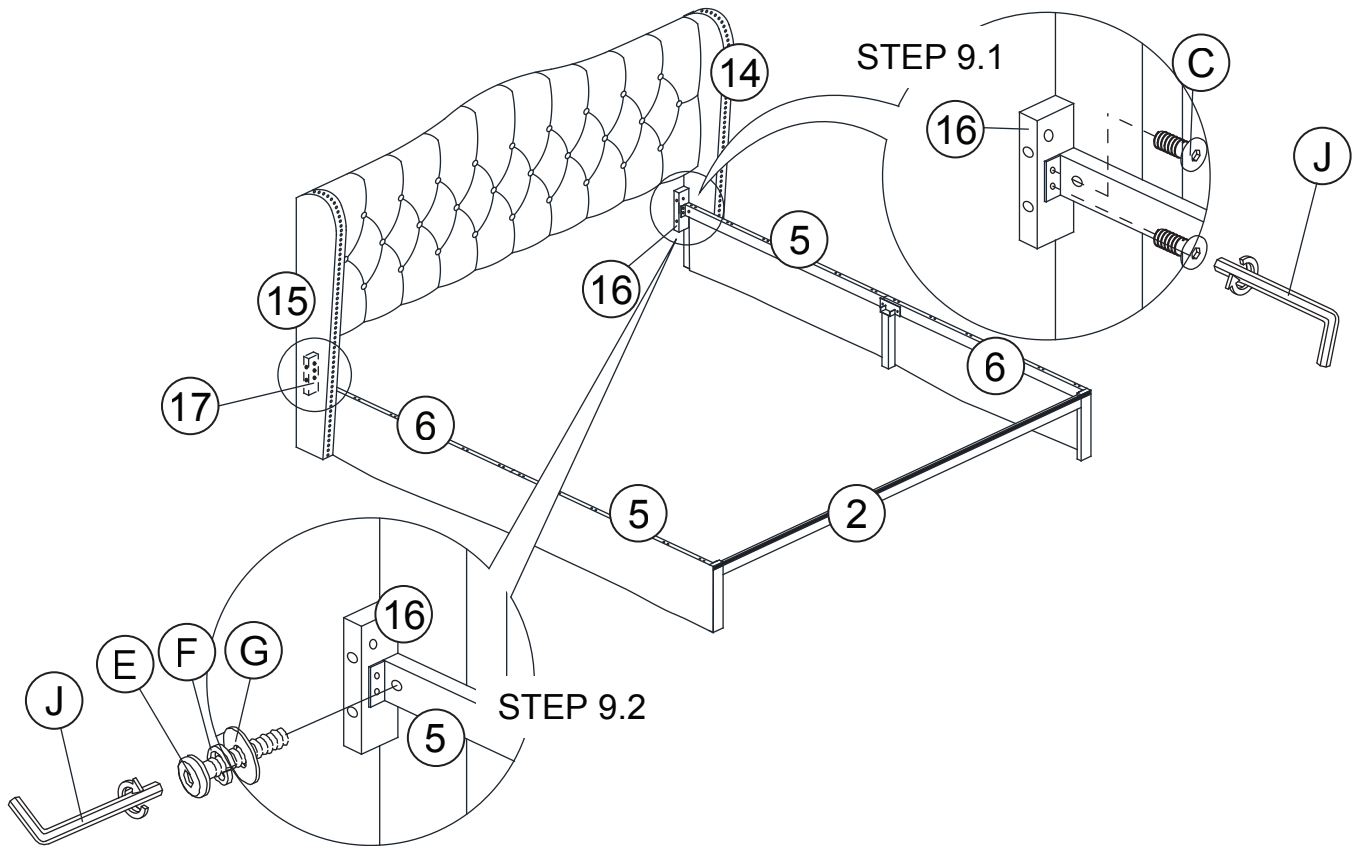
**REMARK:**  
Cut off the exceeded tape

## STEP 8

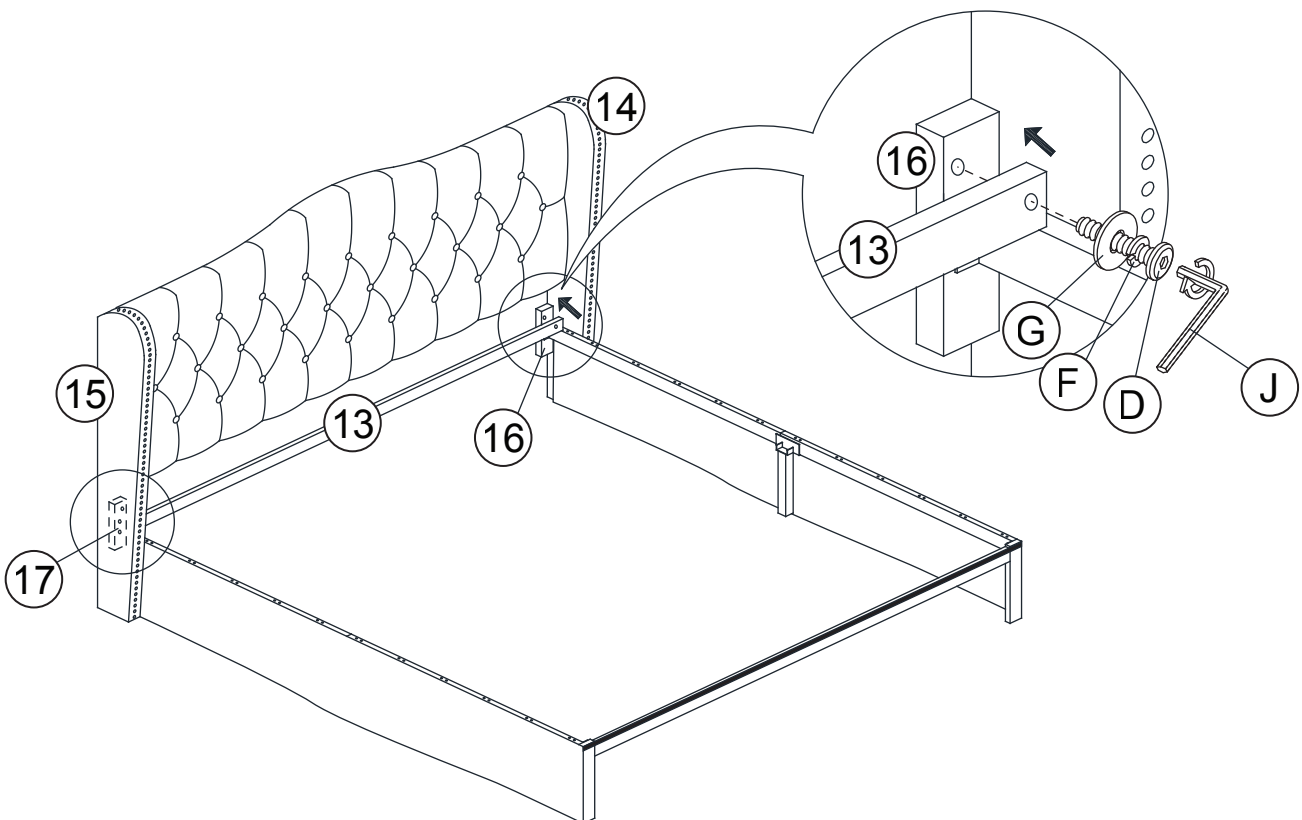


# 80132-711/721/731/741 ASSEMBLY INSTRUCTION

## STEP 9

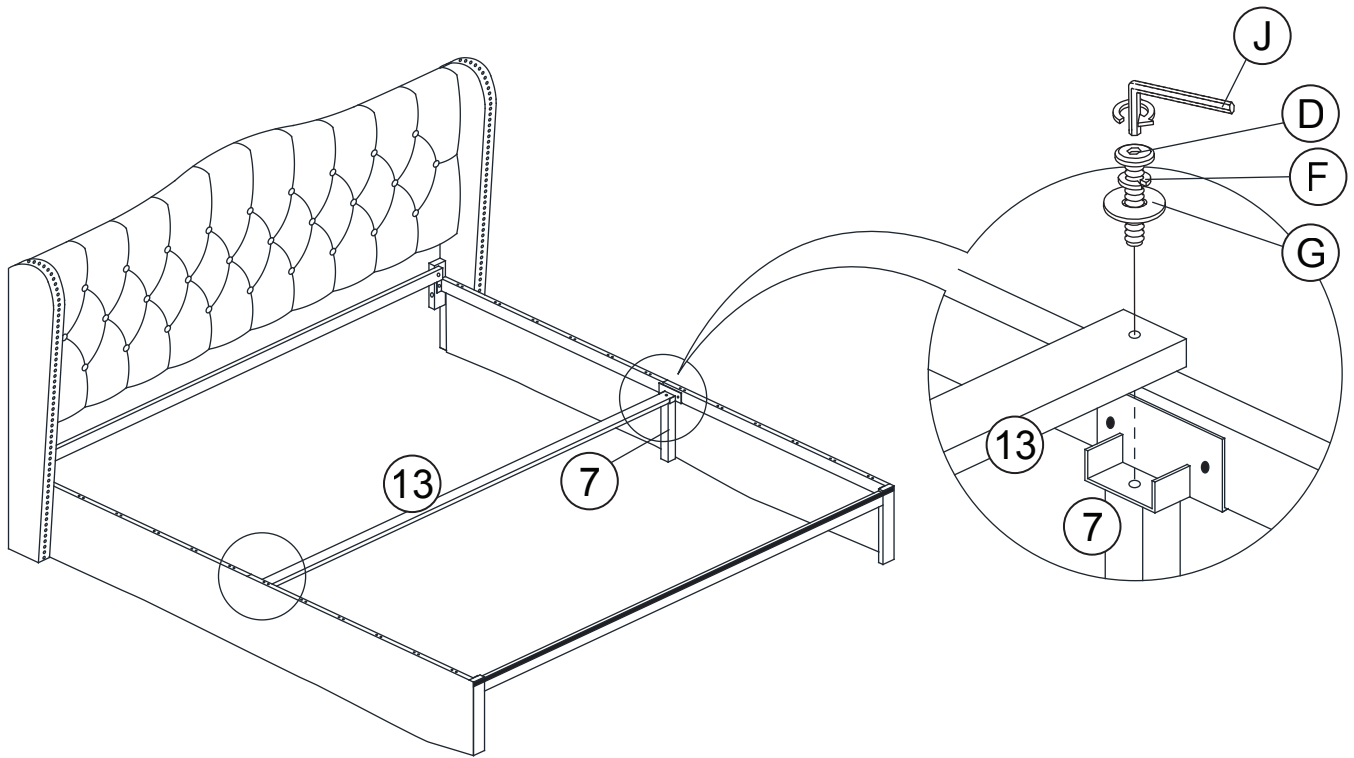


## STEP 10

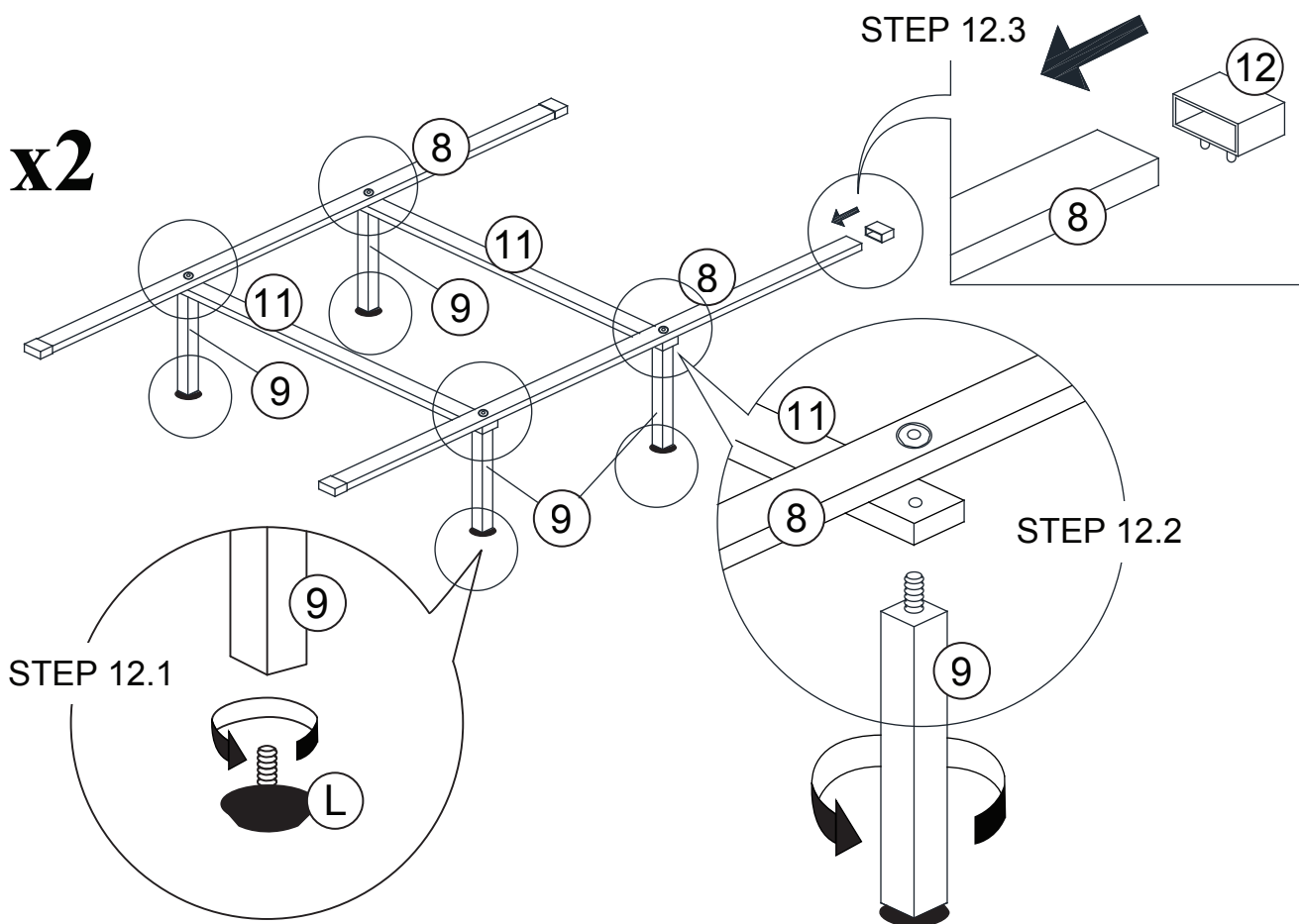


# 80132-711/721/731/741 ASSEMBLY INSTRUCTION

## STEP 11

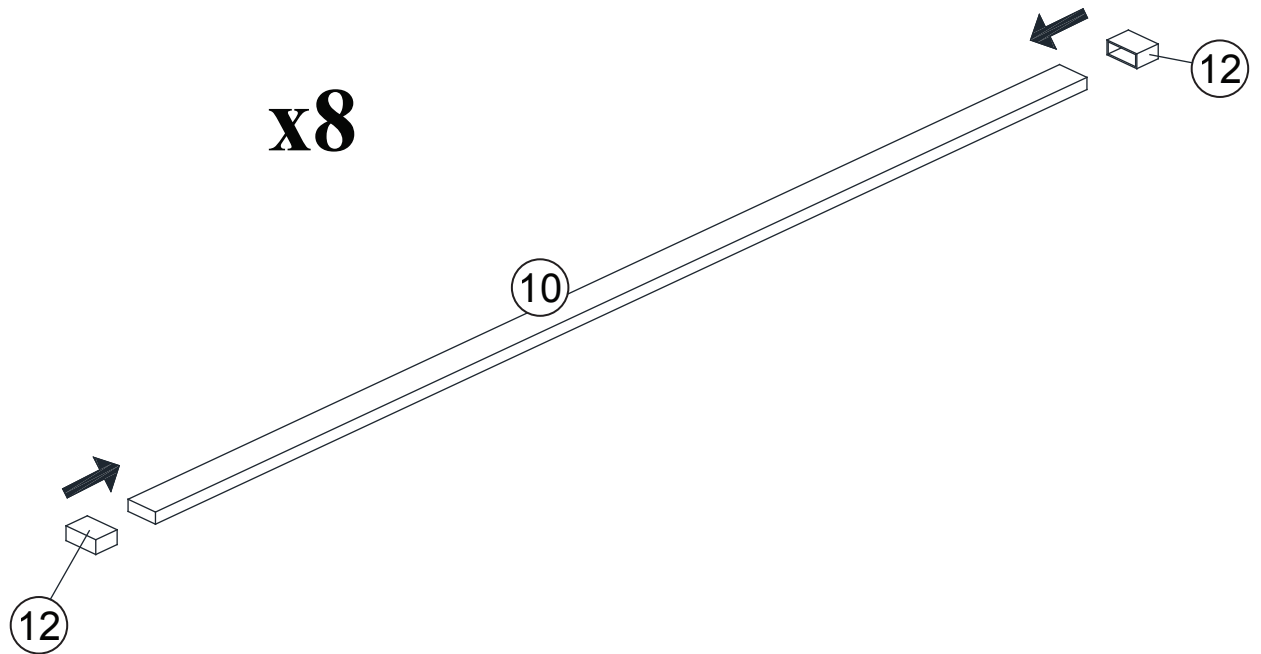


## STEP 12

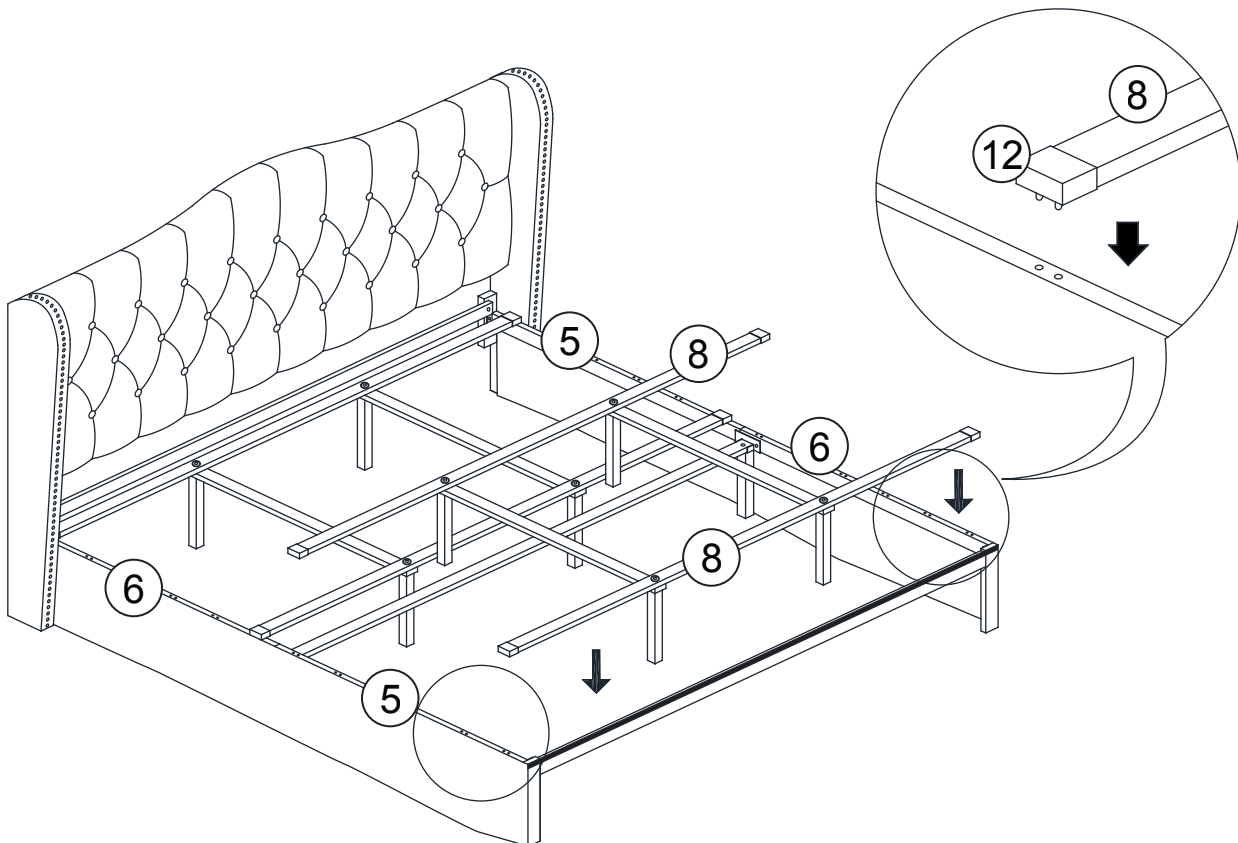


# 80132-711/721/731/741 ASSEMBLY INSTRUCTION

## STEP 13

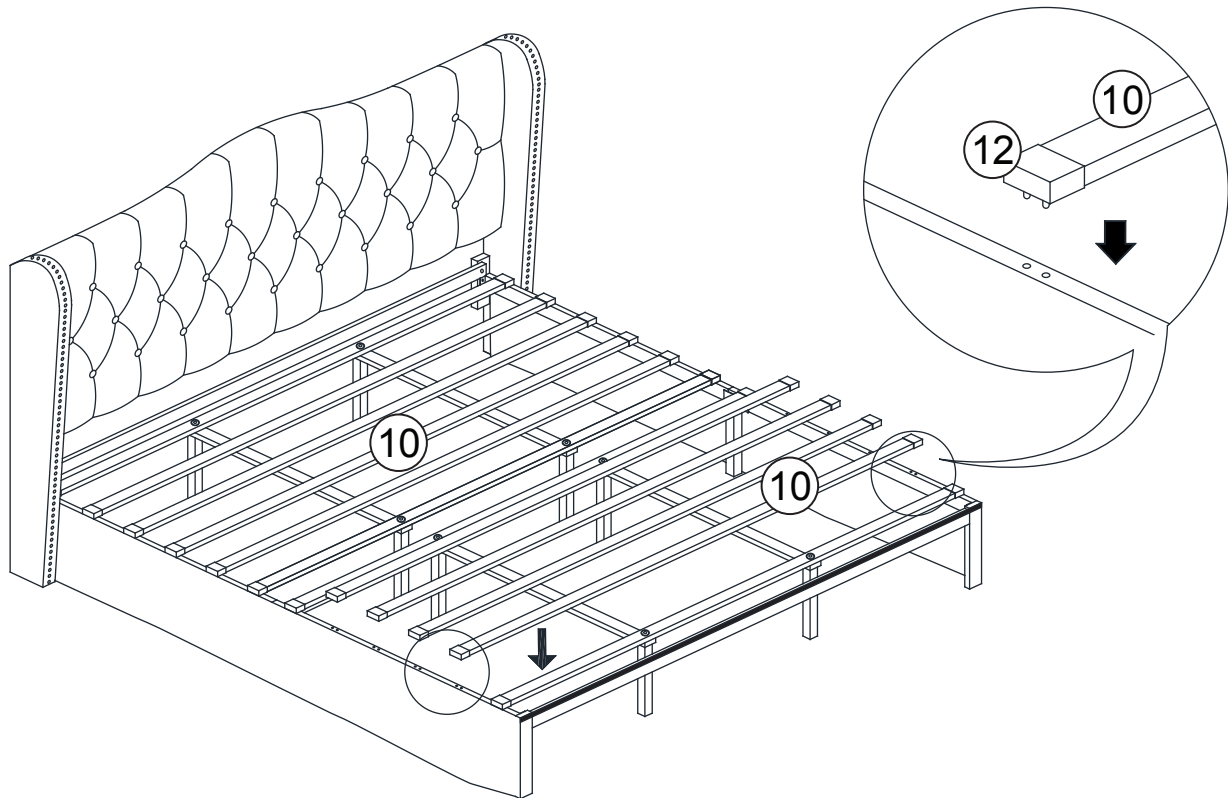


## STEP 14

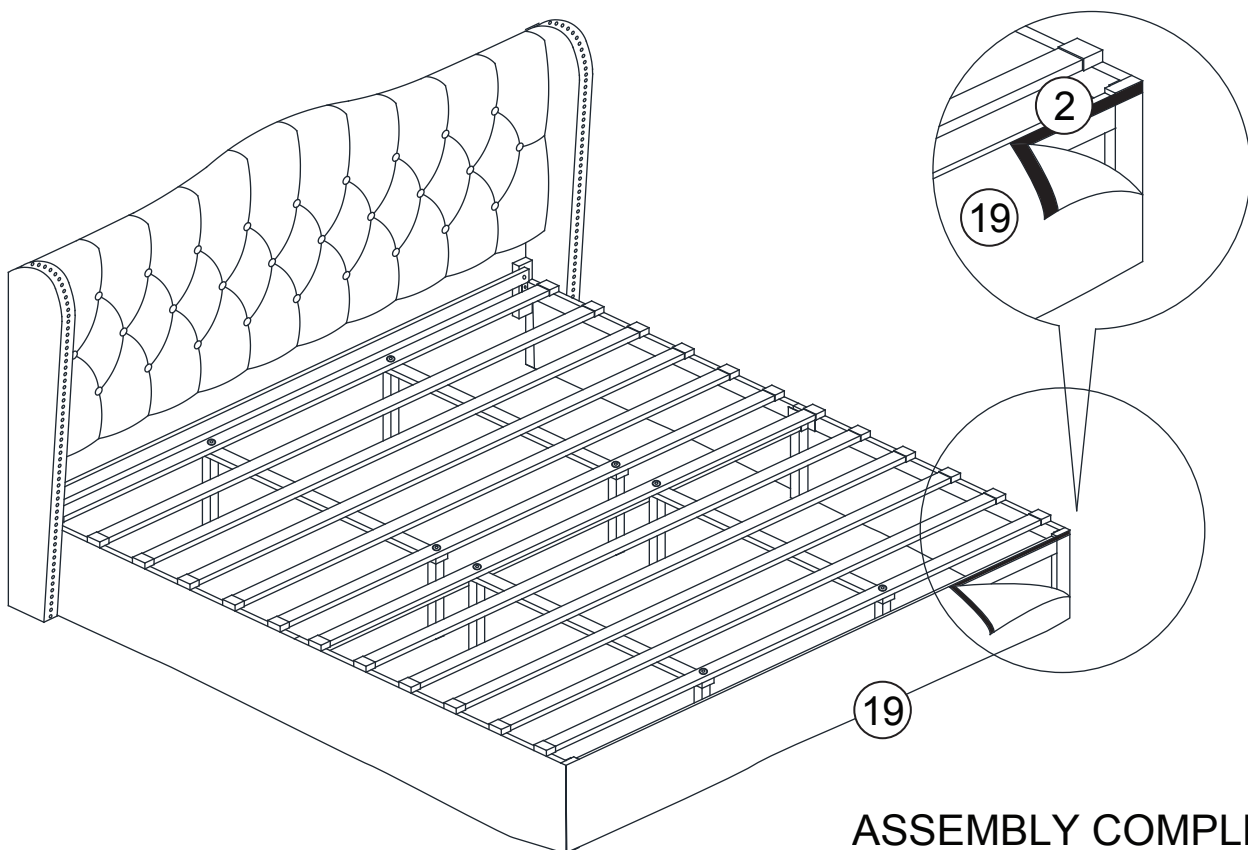


# 80132-711/721/731/741 ASSEMBLY INSTRUCTION

## STEP 15



## STEP 16



**ASSEMBLY COMPLETED**