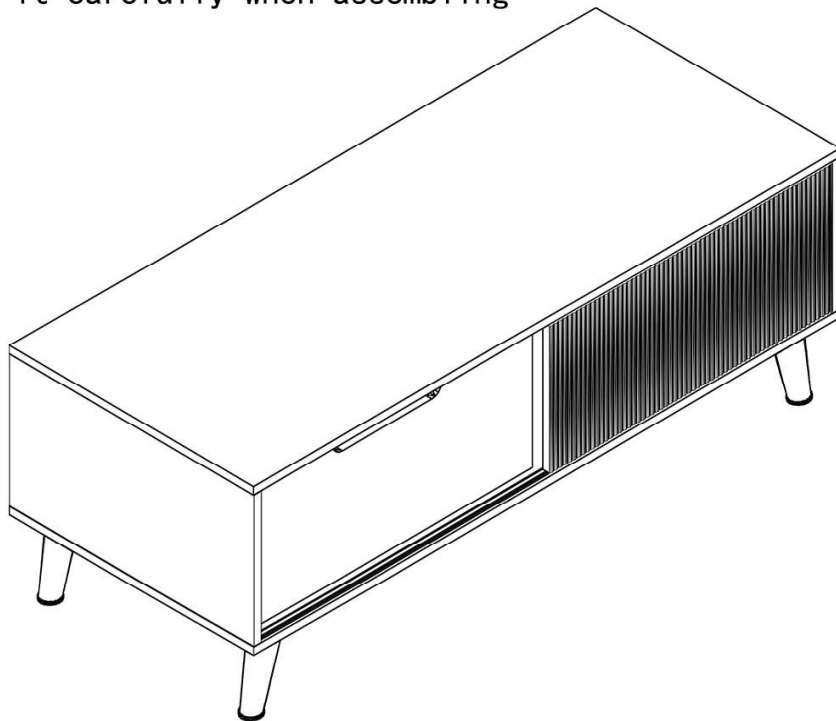
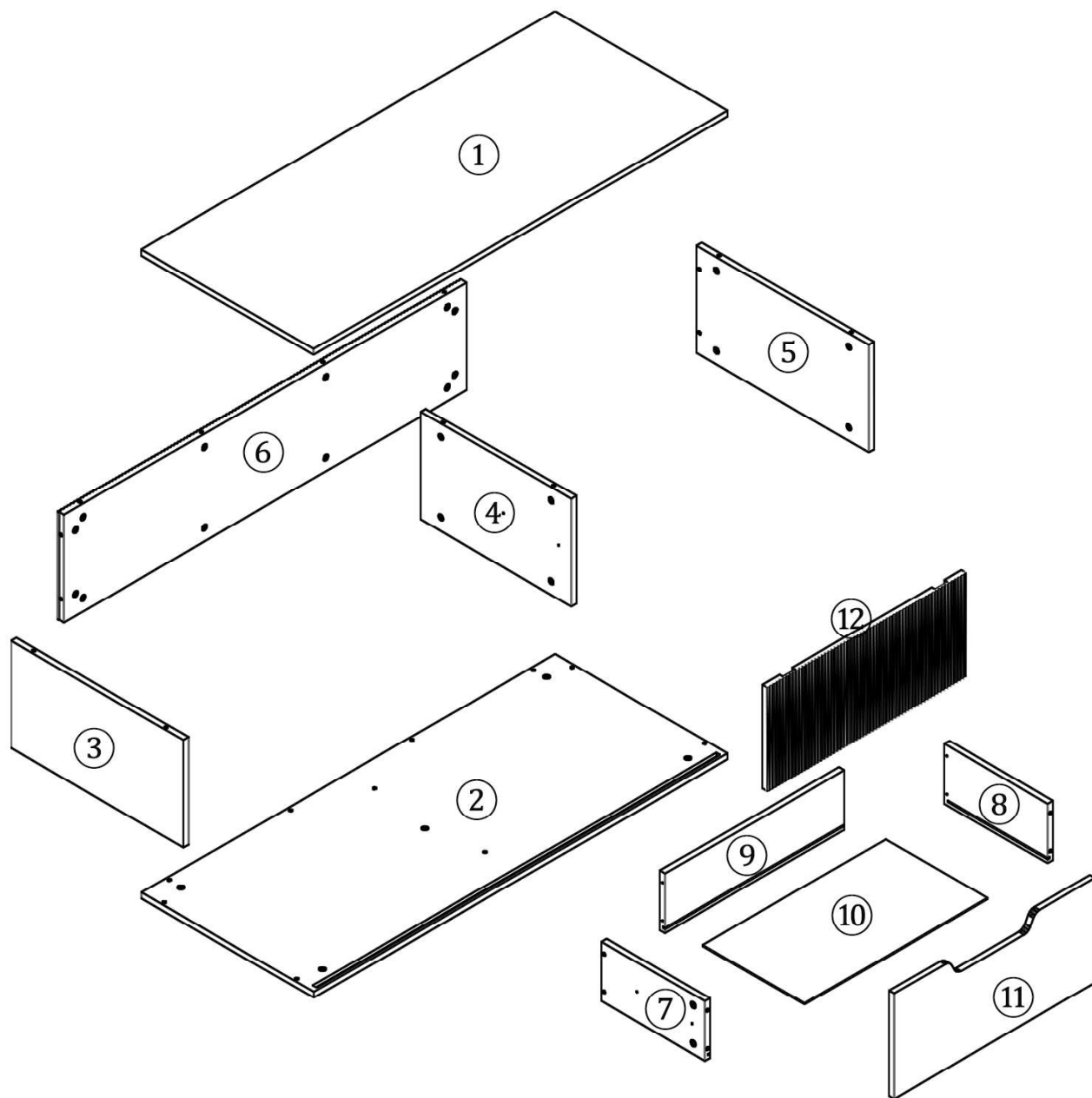


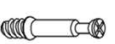



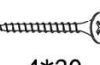










ASSEMBLY INSTRUCTION

- Please follow the instructions to assemble the items correctly.
- Please ensure the safety of the glass when assembling.
- Do not make the screws too loose or too tight.
- As shown in the figure, Insert the screw into the hole.
The arrow in the picture, Then rotate 90° or 180° clockwise.
- The accessory bag contains some small accessories, which should be kept away from children.
- The remaining parts are spare parts.
- Warm reminder white backboard please install the white side inward
- The operating instruction of RGB light is included in the package , please read it carefully when assembling



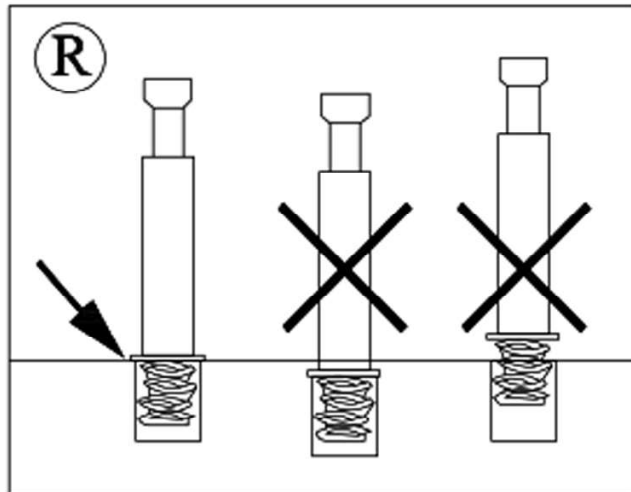
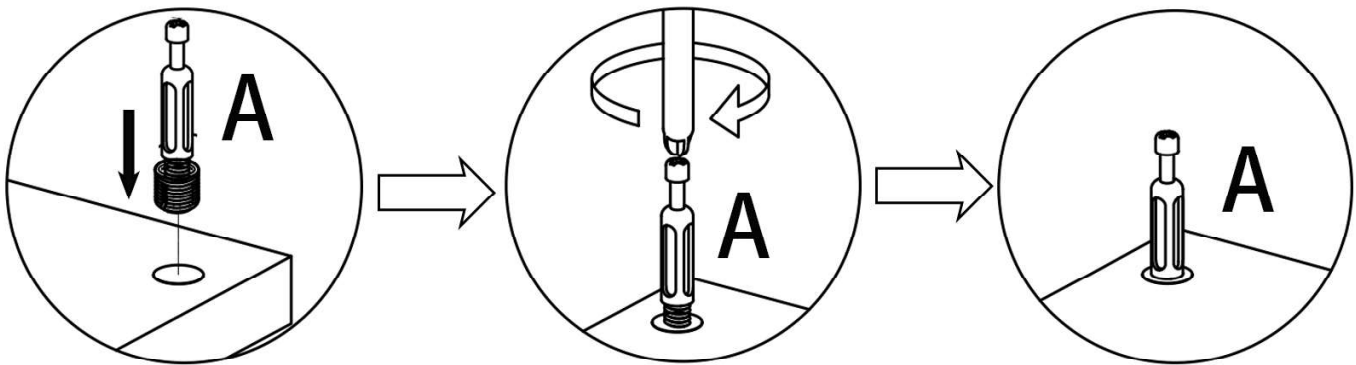


A  16pcs	B  16pcs	A1  12pcs	B1  12pcs	C  3.5*14 8pcs	C8  3.5*12 16pcs	C9  4*30 4pcs	K  2pcs	Z4  8*30 5pcs
AE  4pcs	AE2  1pcs	AM  Decorative paper 10pcs	AP  Anti-slip sticker 5pcs	AS  2pcs	AG  1pcs			



Hardware installation demonstration

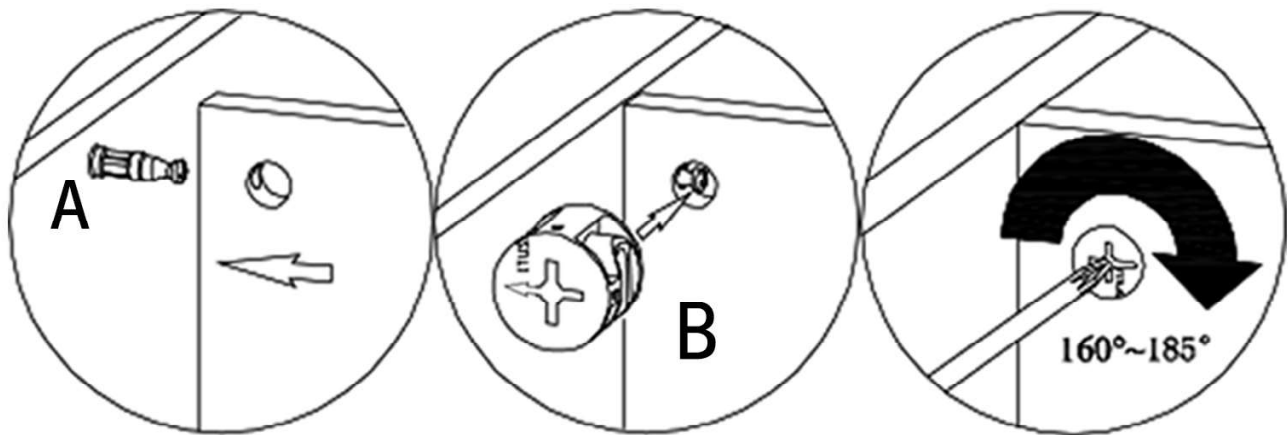
- Please make sure "A" hardware tightened and can't be pulled out





Hardware installation demonstration

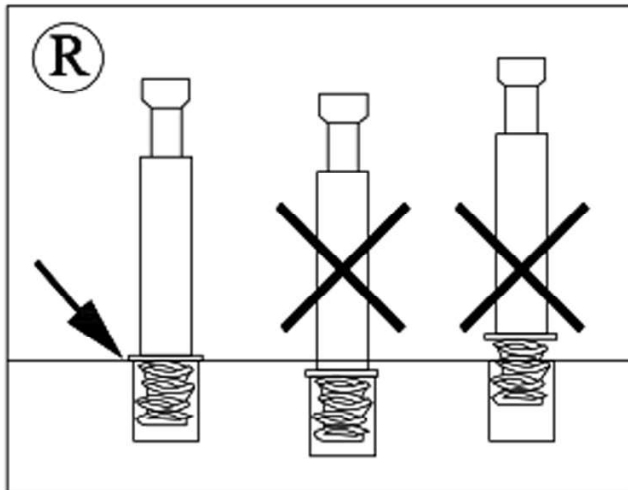
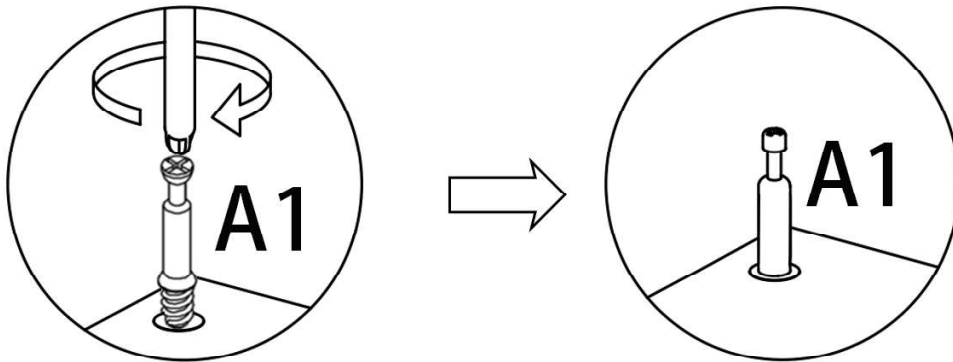
- When inserting cam ensure arrowhead on cam points toward to the hole on the panel edge





Hardware installation demonstration

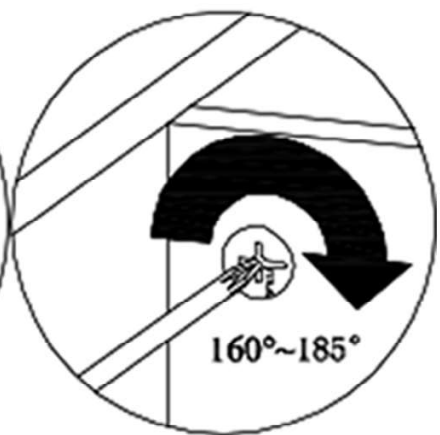
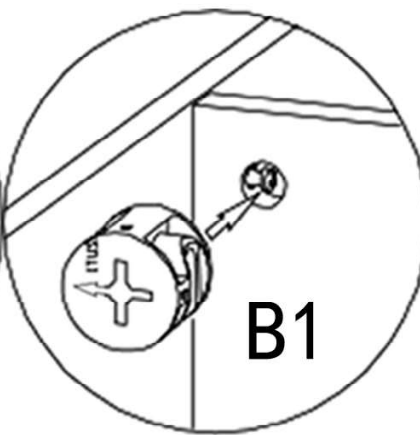
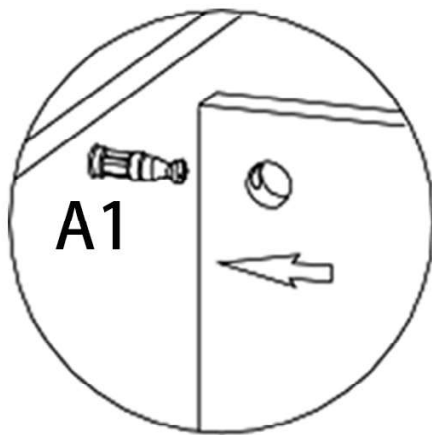
- Please make sure "A" hardware tightened and can't be pulled out





Hardware installation demonstration

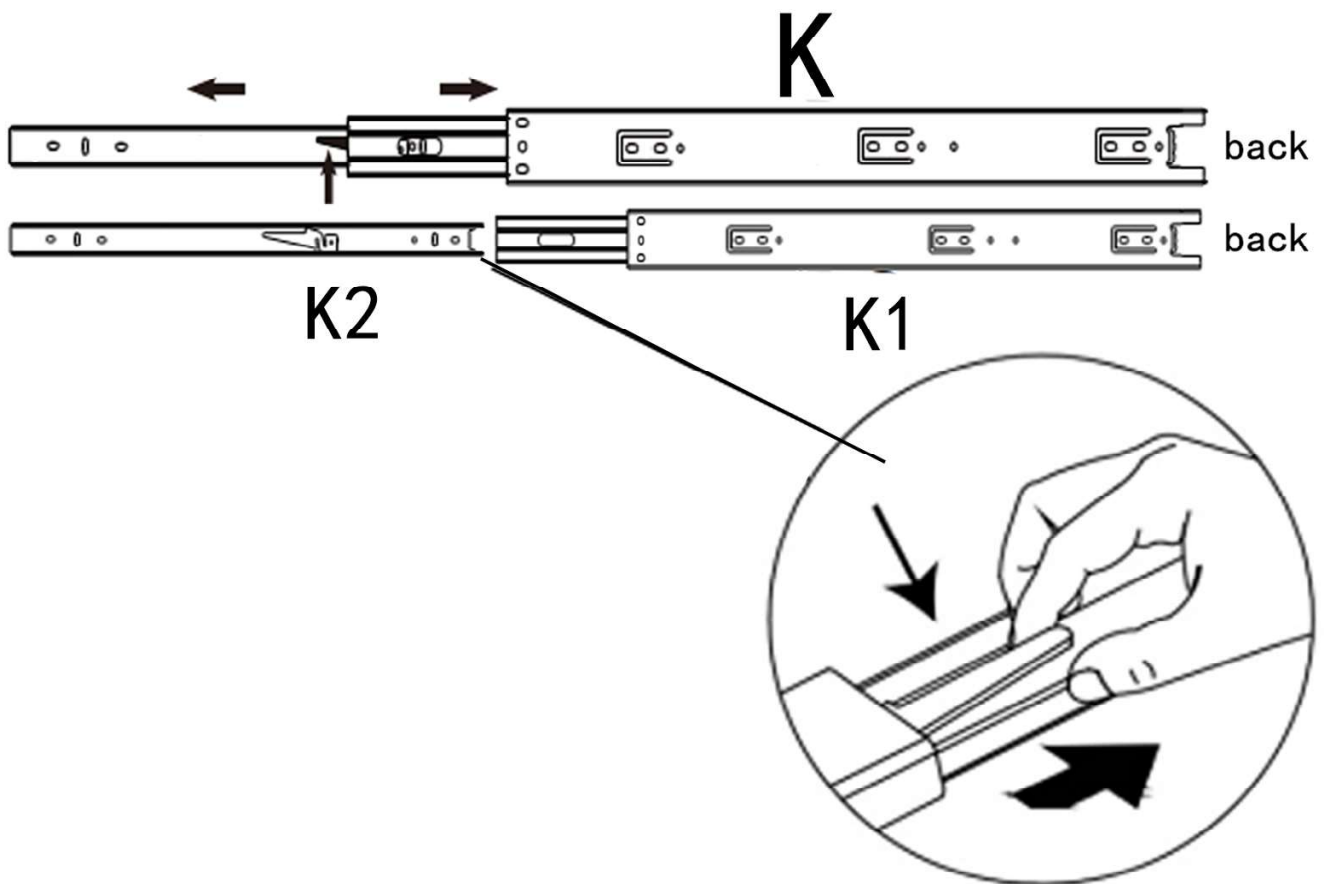
- When inserting cam ensure arrowhead on cam points toward to the hole on the panel edge





Hardware installation demonstration

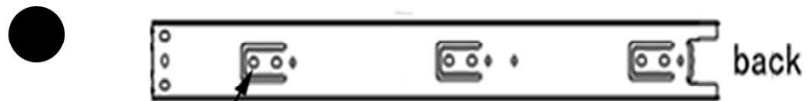
- Before installing the drawer rail, you need to separate the K1 and K2 first.



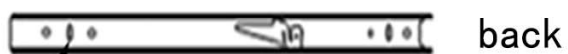
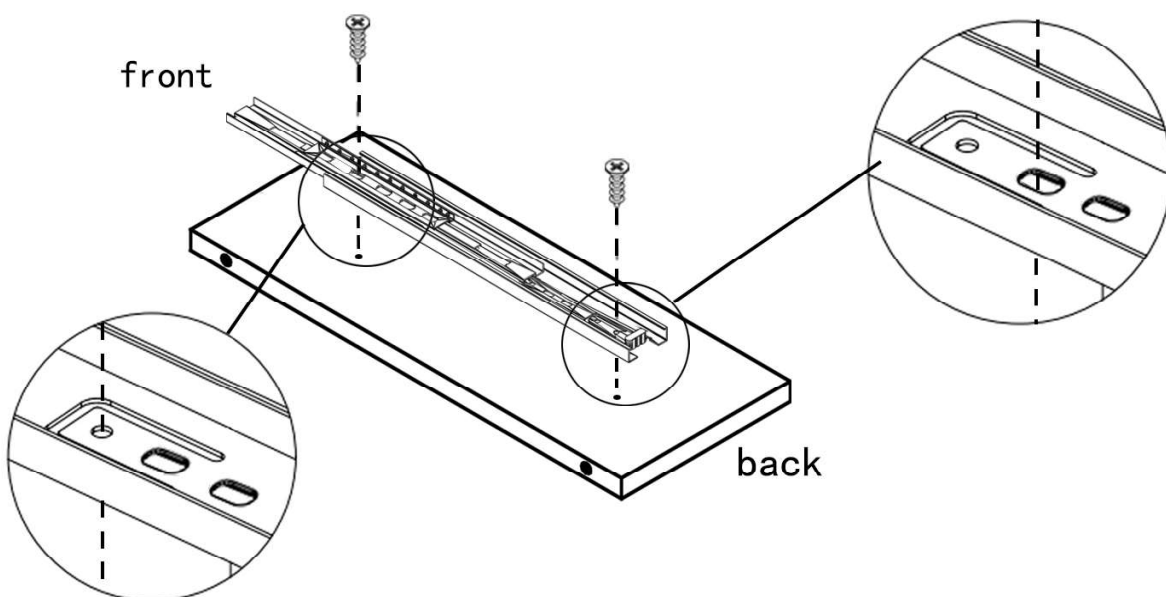
Warm Reminder: Press it and split



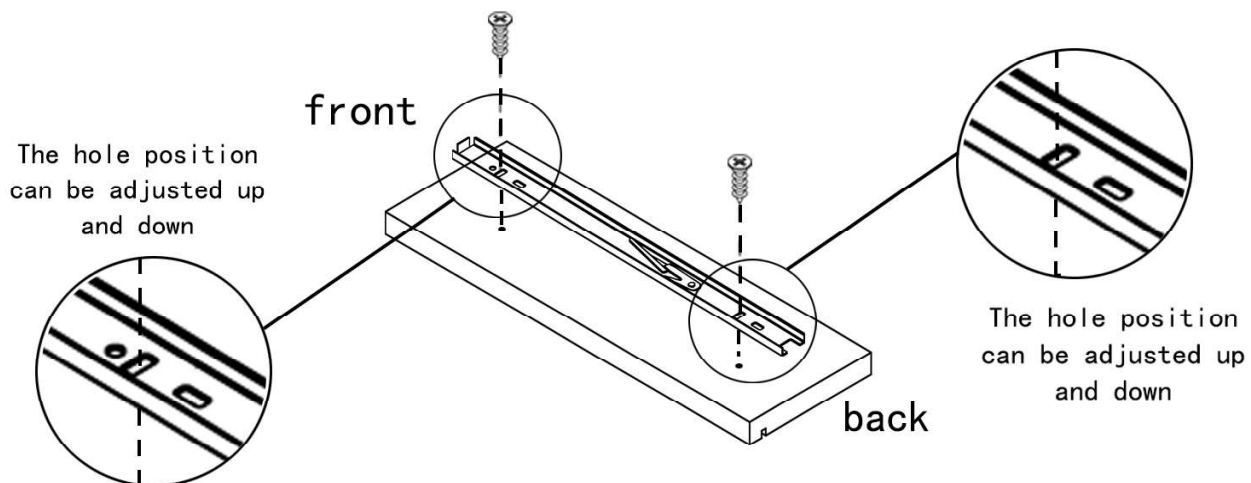
Hardware installation demonstration



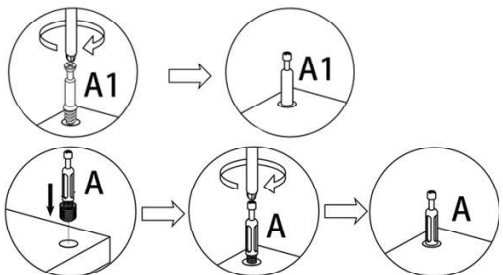
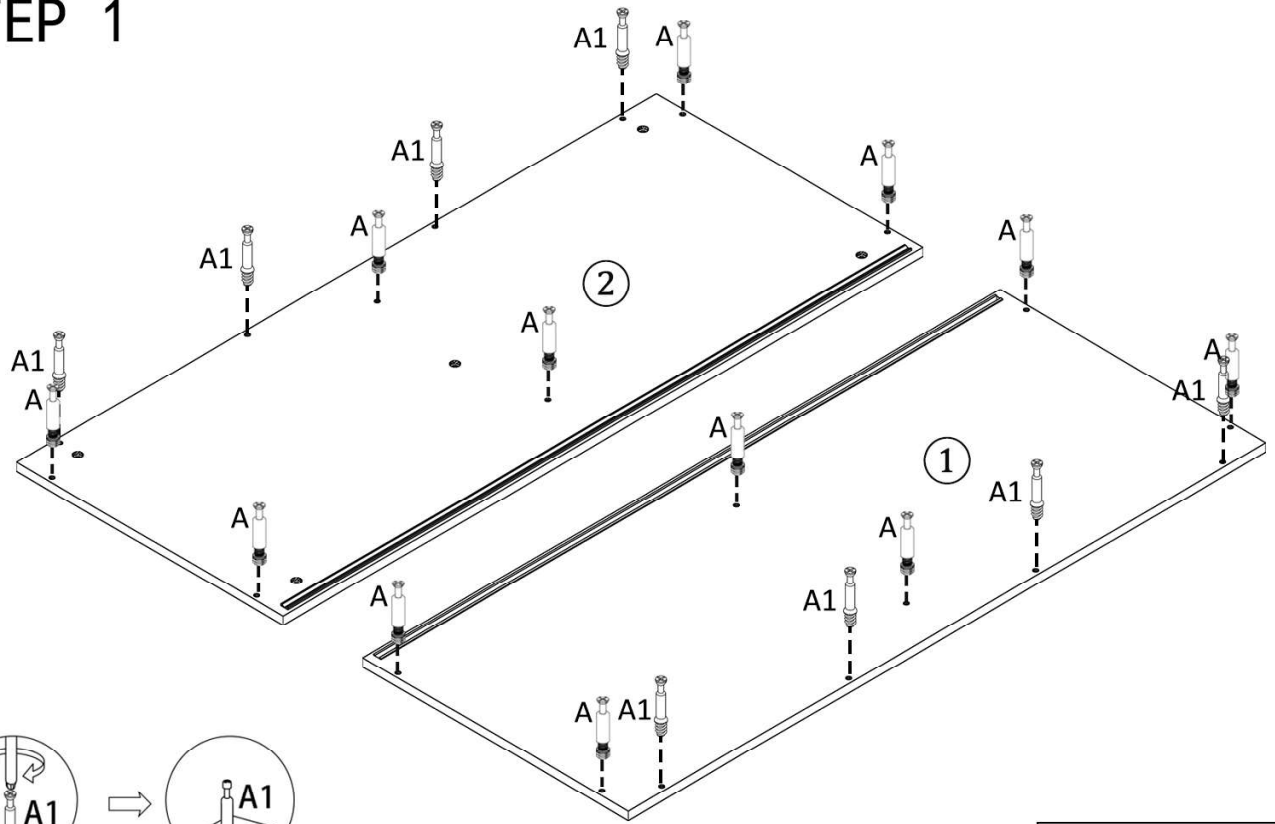
The first screw hole should corresponded with the board location hole

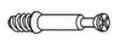



The first screw hole should corresponded with the board location hole

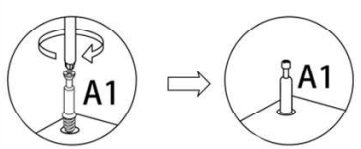
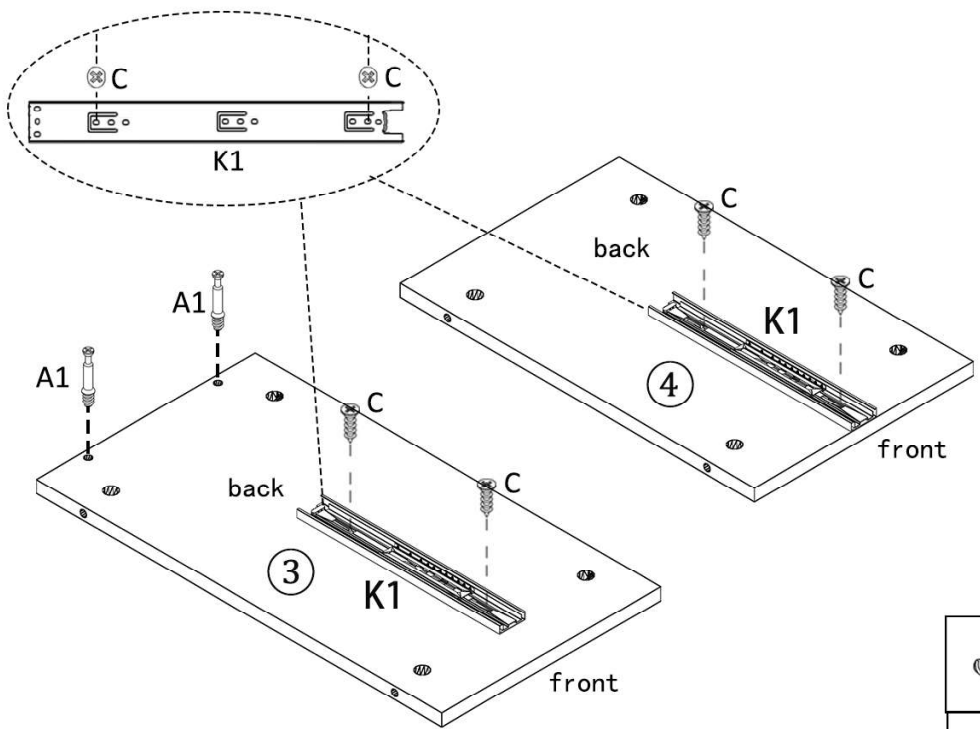





STEP 1



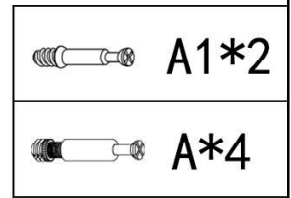
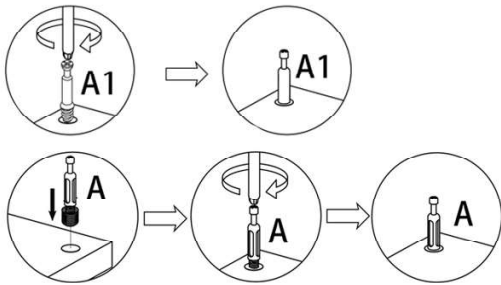
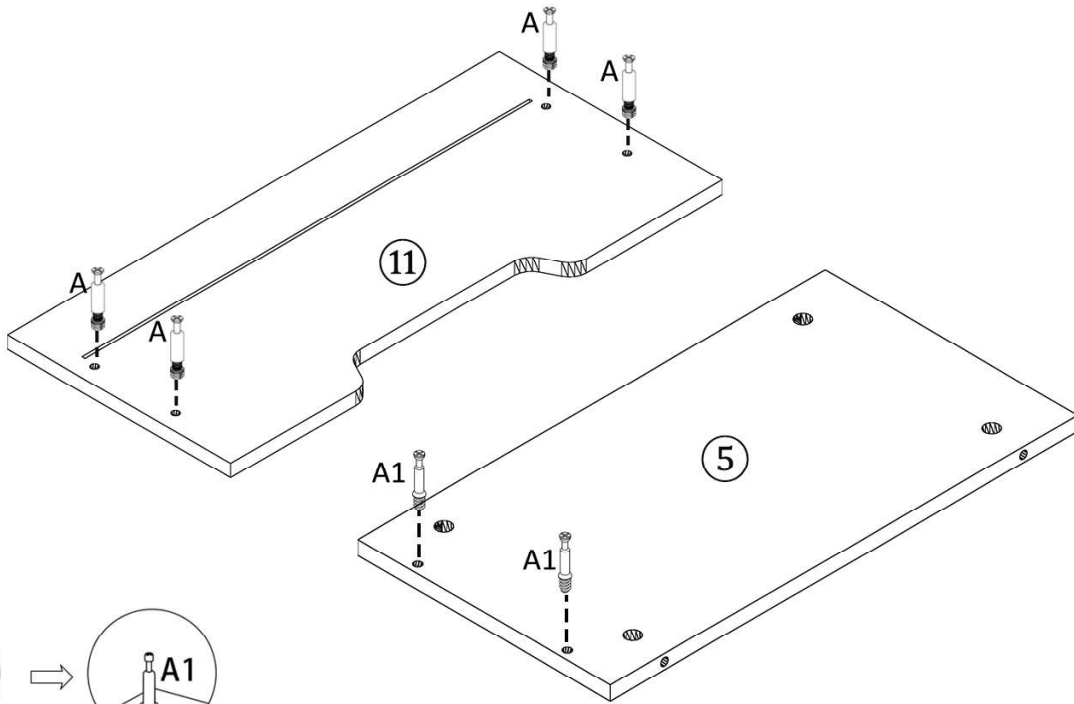
-  A1*8
-  A*12

STEP 2

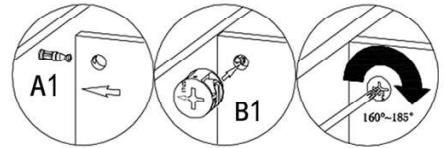
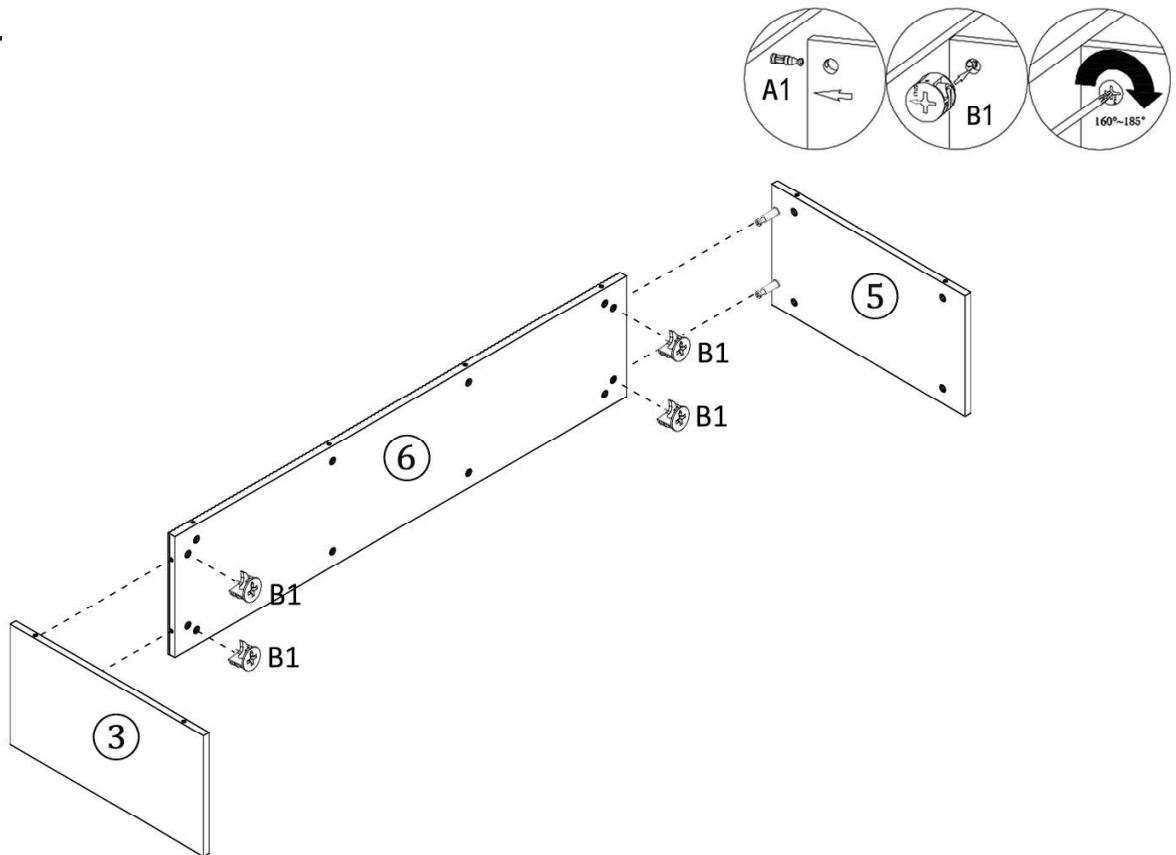


-  A1*2
-  C*4
-  K1*2

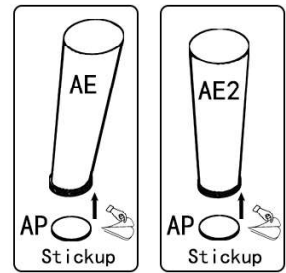
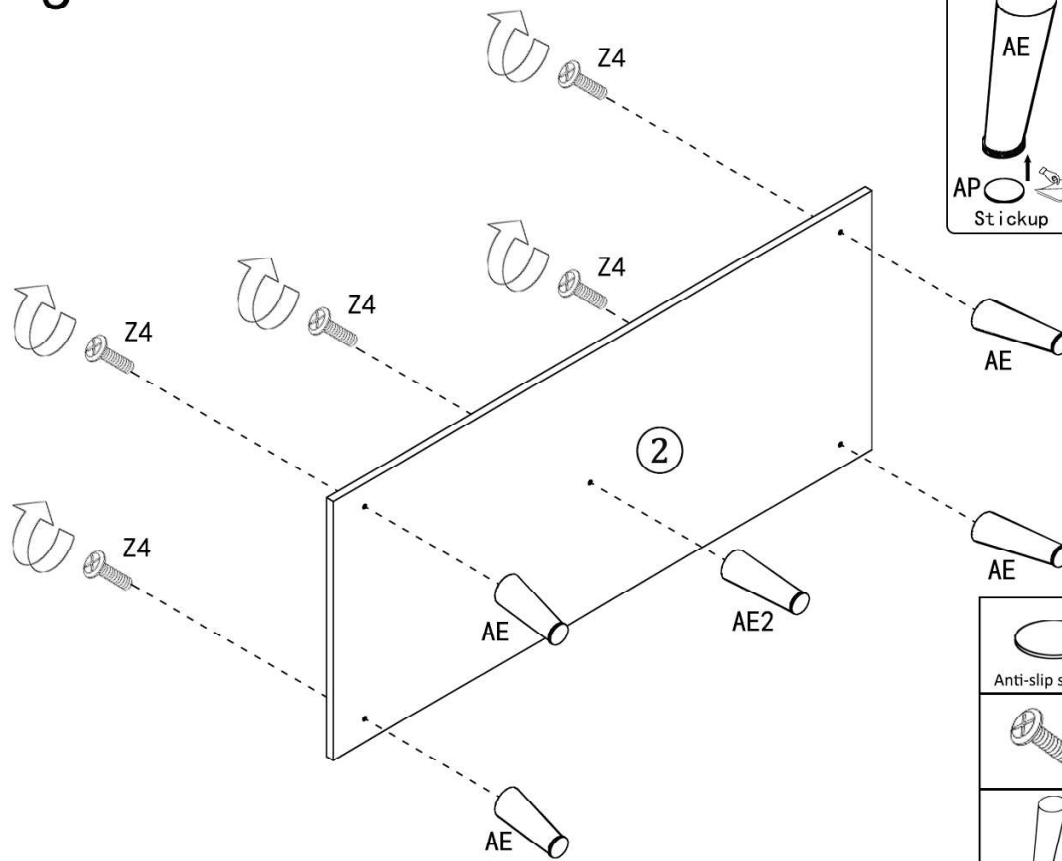
STEP 3







STEP 4

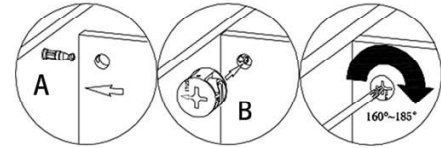
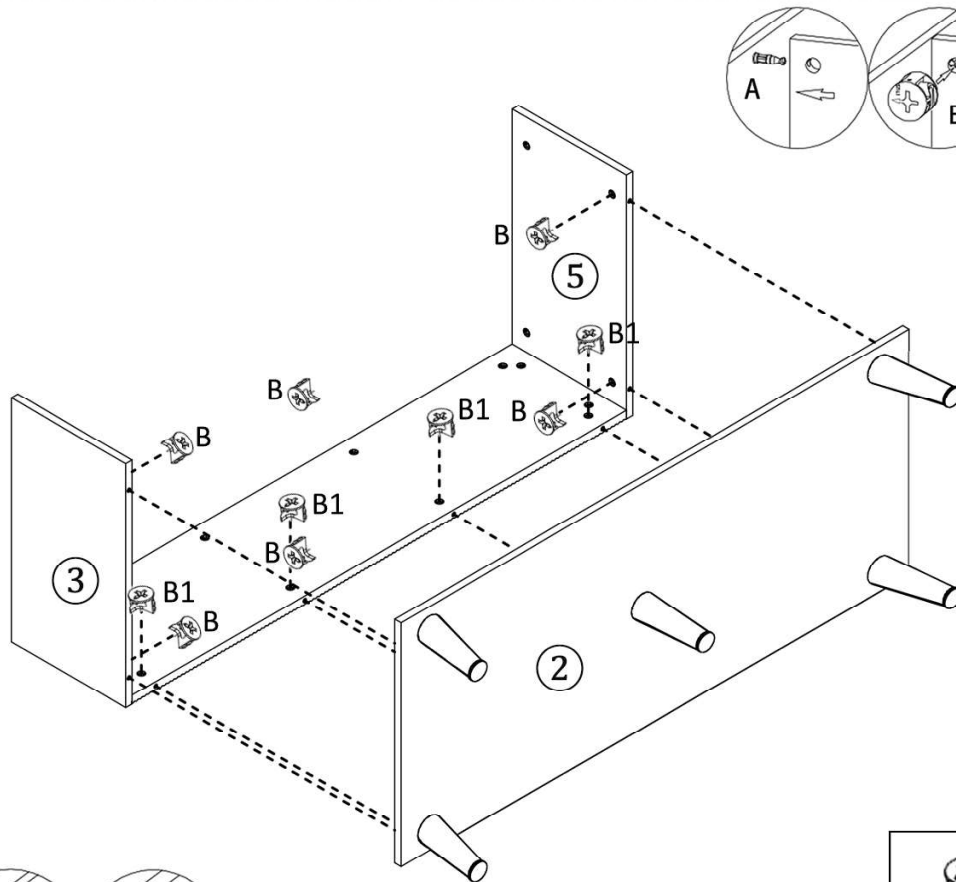




STEP 5

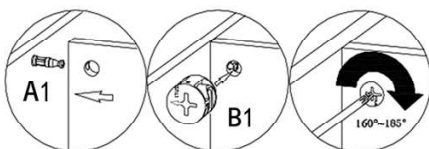


	AP*5 Anti-slip sticker
	Z4*5
	AE*4
	AE2*1

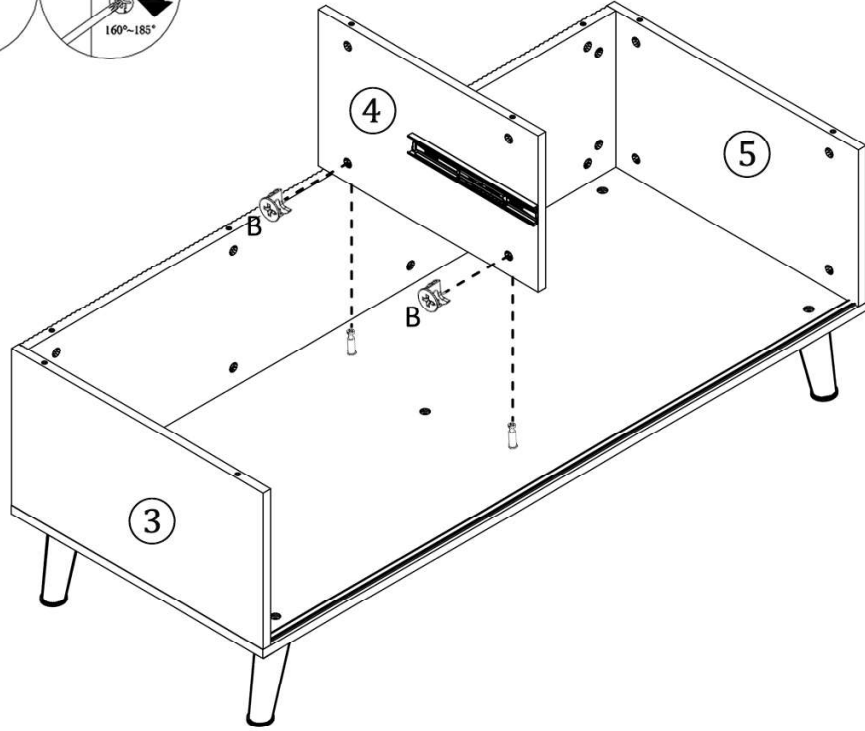
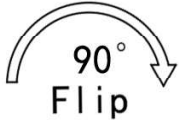
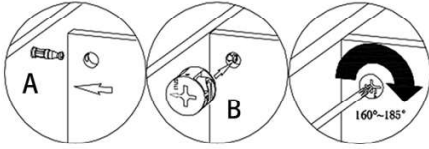
STEP 6



	B1*4
	B*4

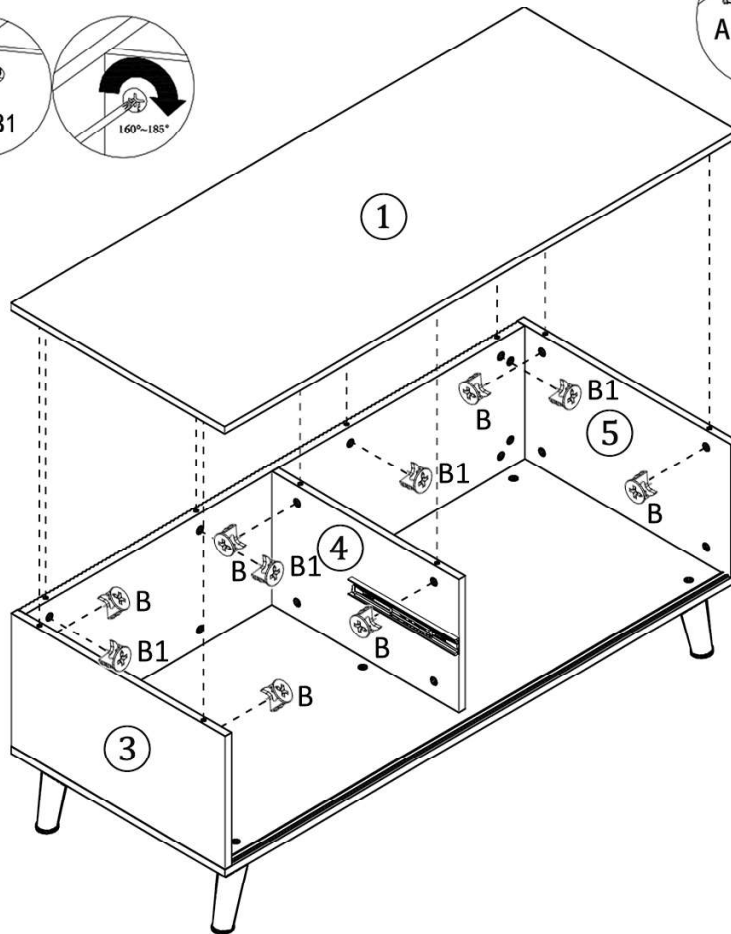
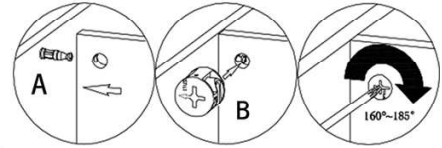
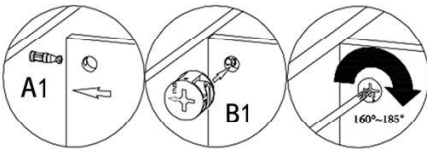


STEP 7



B*2

STEP 8

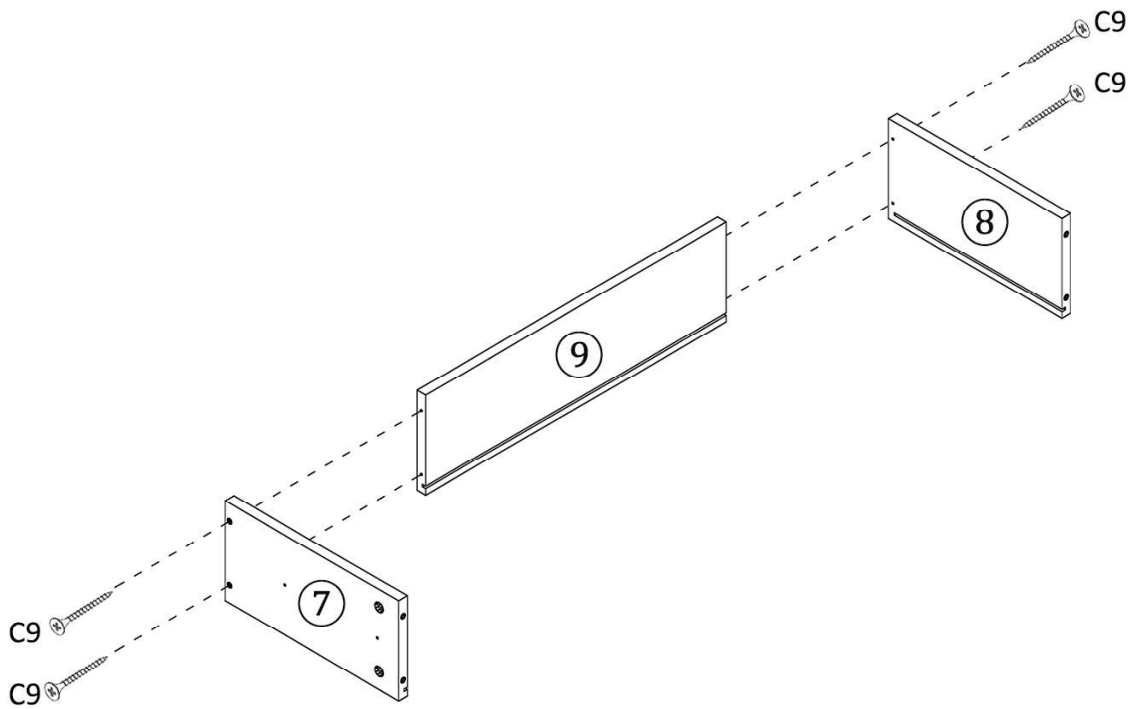


B1*4

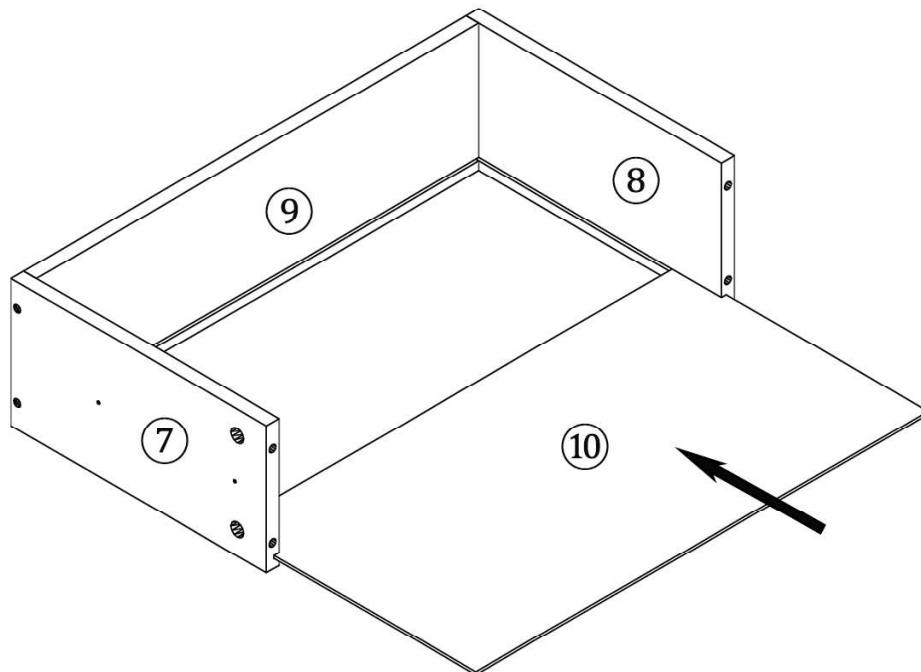


B*6

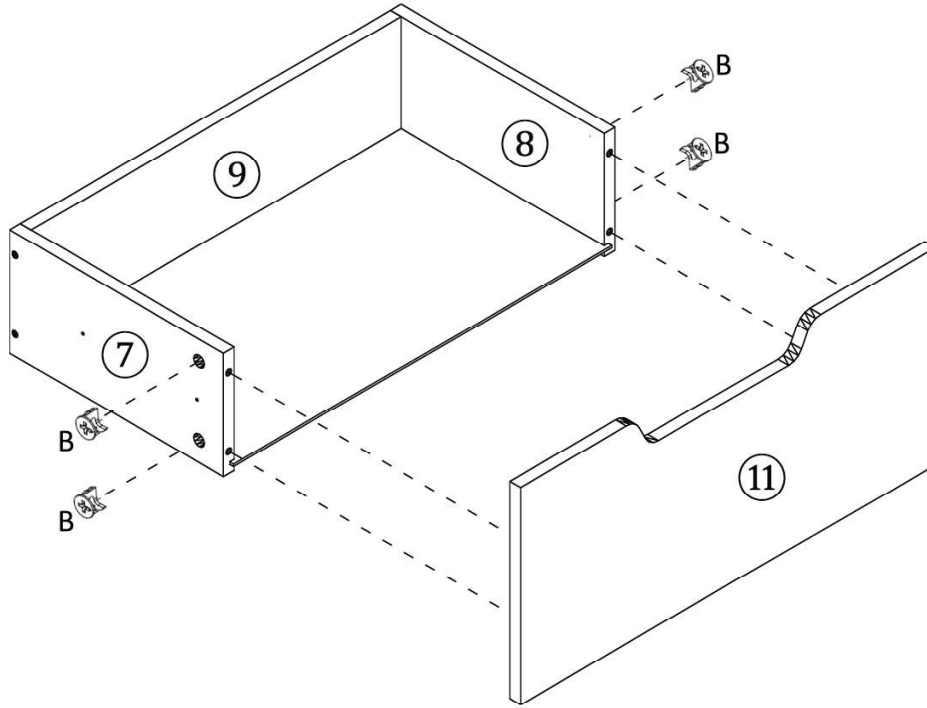
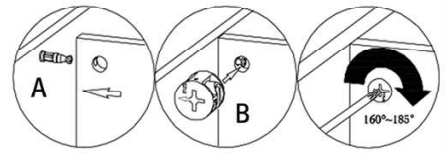
STEP 9



STEP 10

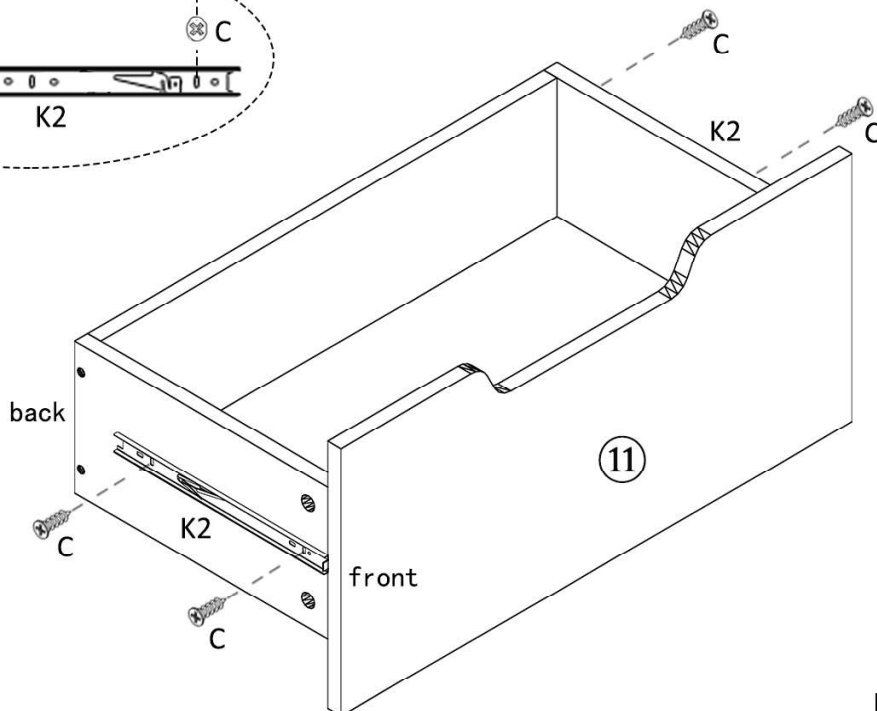
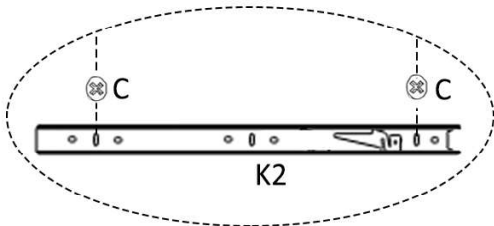


STEP 11



B*4

STEP 12



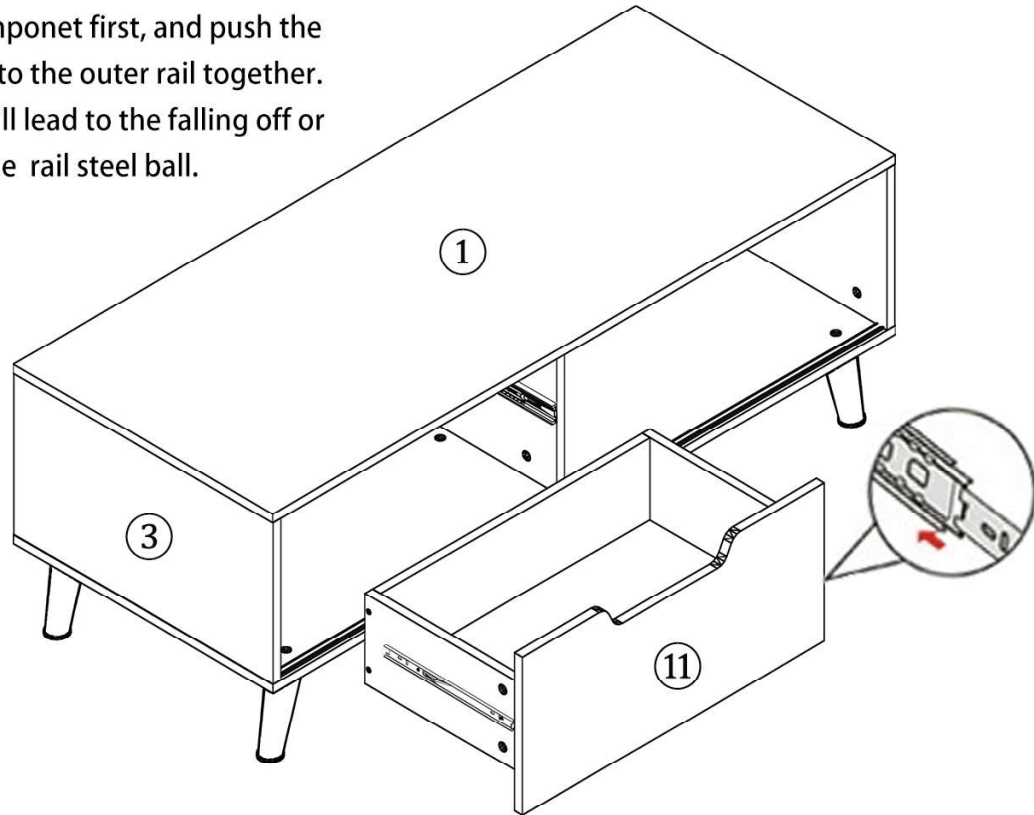
C*4



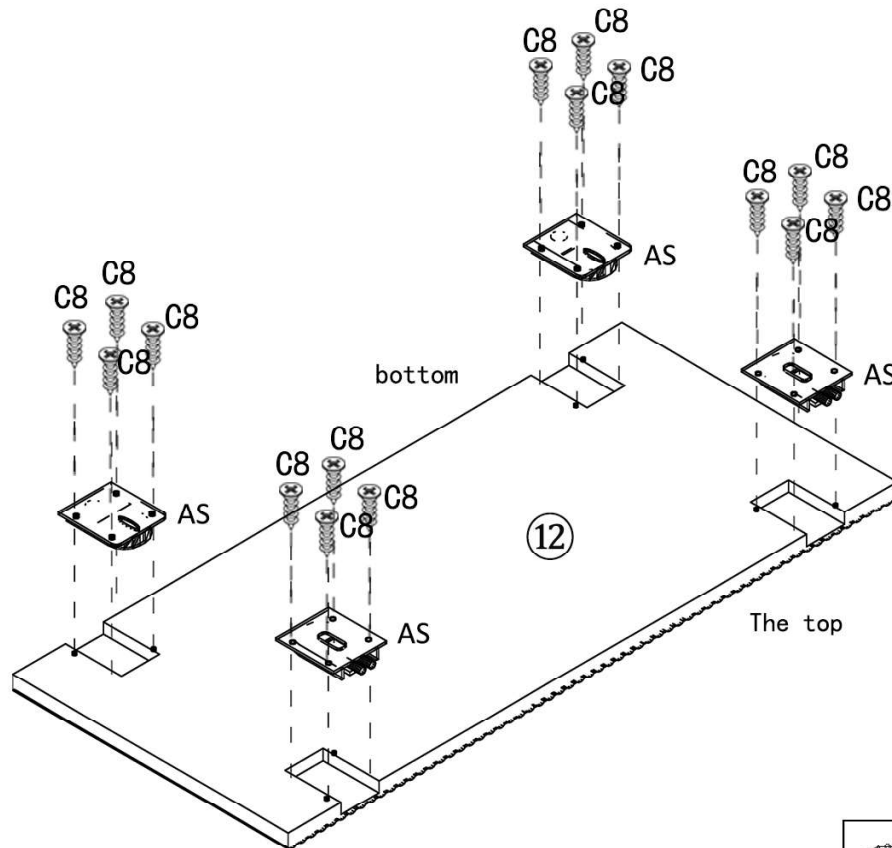
K2*2

STEP 13

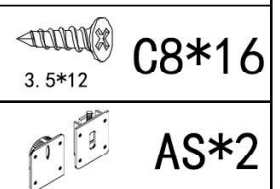
Note: When assembling the inner slide rail, it is necessary to place the inner slide rail on the steel ball component first, and push the inner rail parallel to the outer rail together. Direct violence will lead to the falling off or deformation of the rail steel ball.



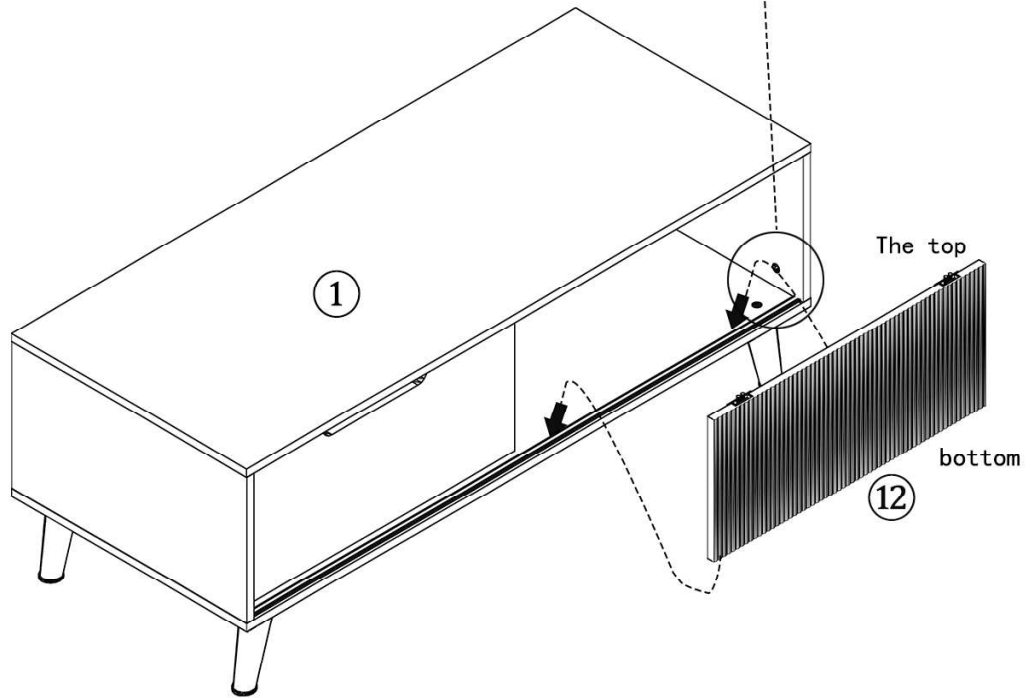
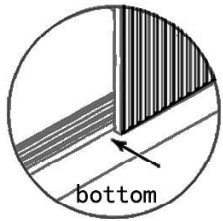
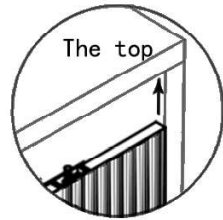
STEP 14



⚠ Please use screws according to the specific size, do not confuse them.



STEP 15



STEP 16

