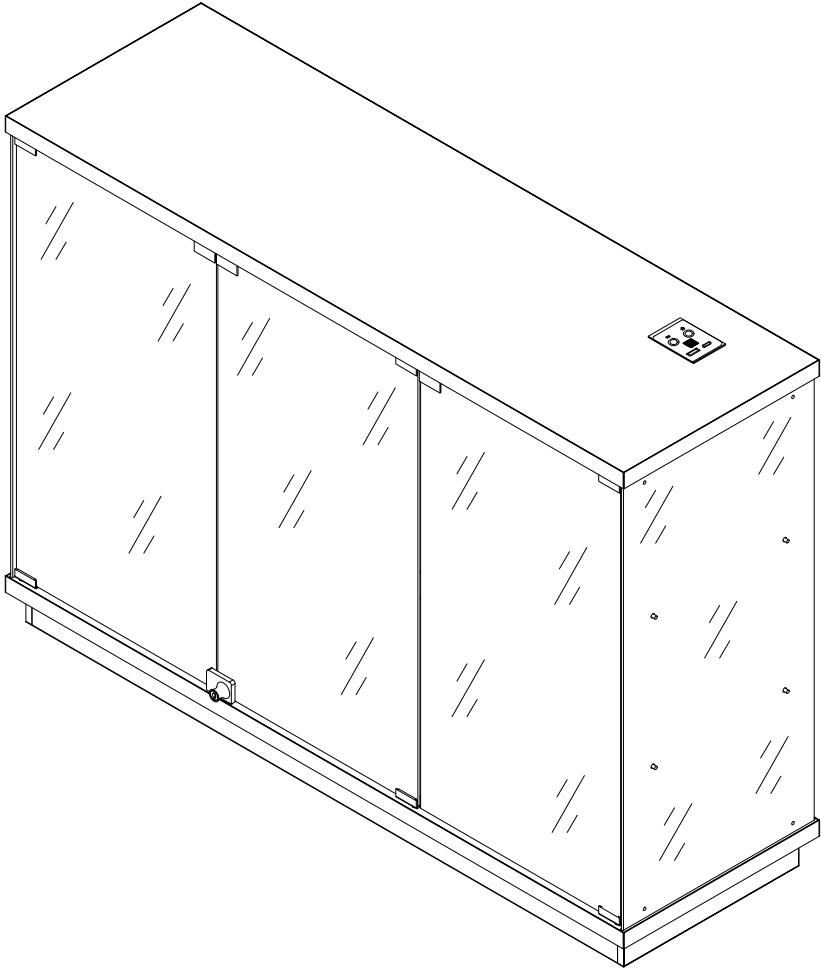


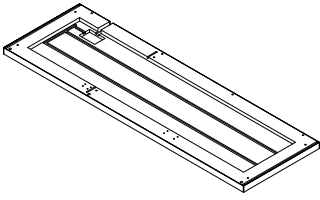
97143 Product Installation Instructions



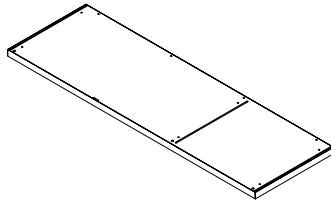
Scan for the Instalation Video



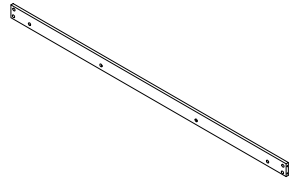
Scan for Help with Any Product Issues



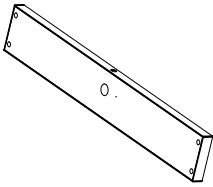
1 x1



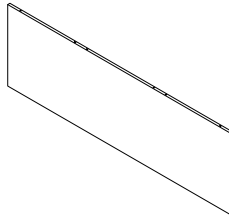
2 x1



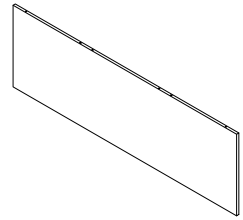
3 x2



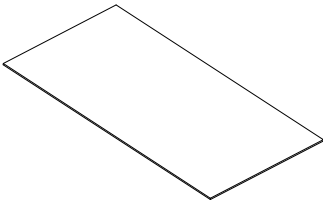
4 x2



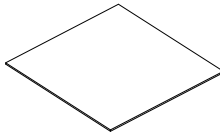
5 x1



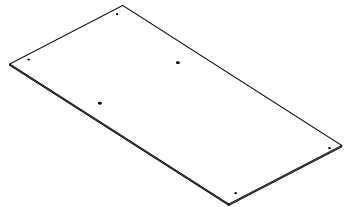
6 x1



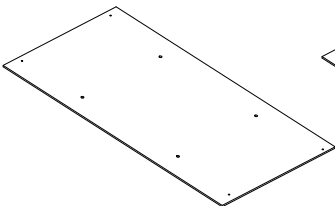
7 x1



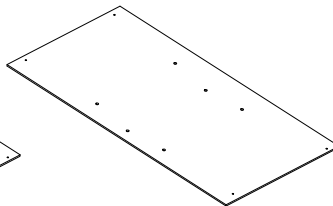
8 x2



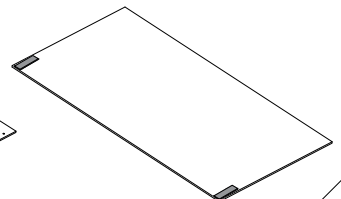
9 x1



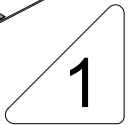
10 x1



11 x1

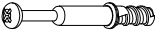


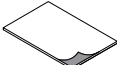
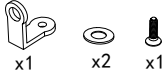
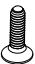

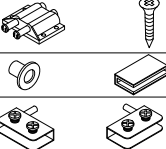
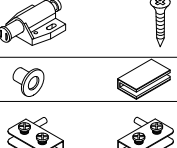

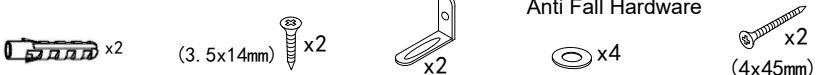



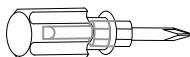
12 x3



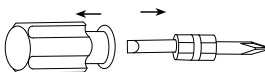
1

Accessories list

A		Two in one screw (6x28mm)	30pcs +3pcs
B		Two in one nut (10x12mm)	30pcs +3pcs
C		Wood Chipping (6x30mm)	2pcs +1pcs
D		Non-slip pads (50x10mm)	8pcs +2pcs
E	 x1 x2 x1	Corner Bracket,,Screw (4x12mm)	12pcs +1pcs
F		Screw (4x12mm)	12pcs +1pcs
G		Laminate Support Nail Screw (6x18mm)	12pcs +1pcs
H		Rebound device & Screw (3x16mm) Iron sheet Hinge	1pcs 4pcs 4pcs 2pcs 2pcs 2pcs
I		Rebound device & Screw (3x16mm) Iron sheet Hinge	1pcs 4pcs 2pcs 1pcs 1pcs 1pcs
J	 x2	Single door glass lock Key	1pcs
K	 x2 (3.5x14mm) x2 x2 x4 x2 (4x45mm)	Anti Fall Hardware	
		AC/DC Adapter (12V=2.0A)	1pcs

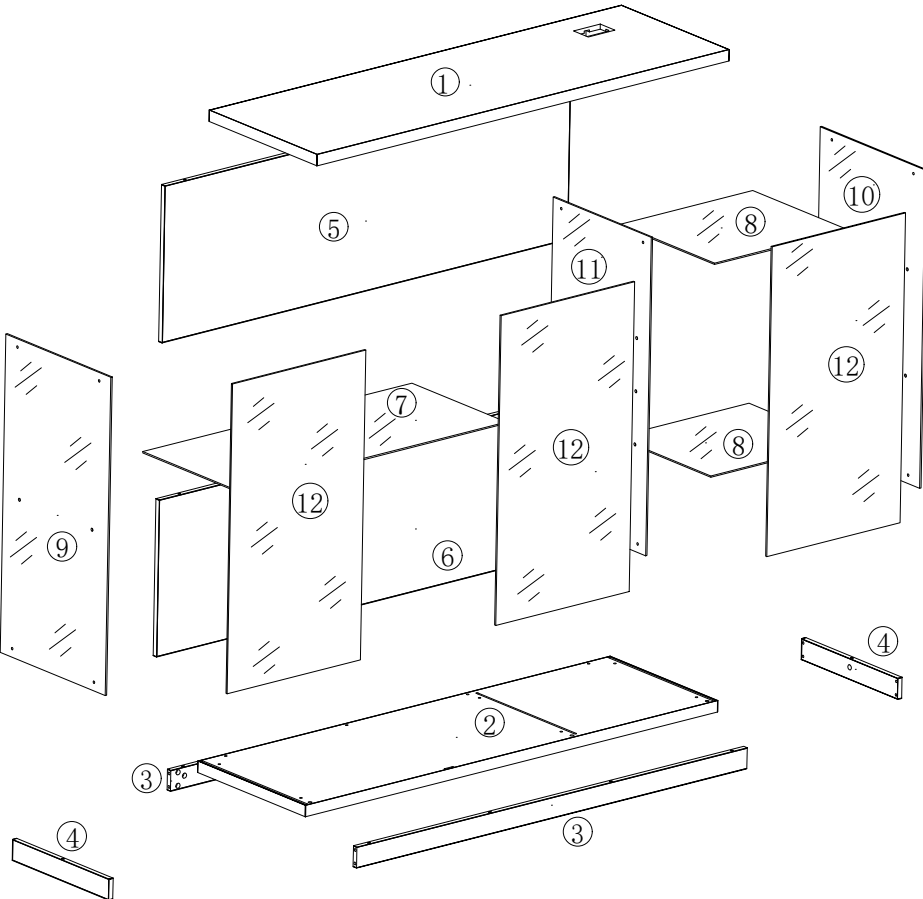


1pcs



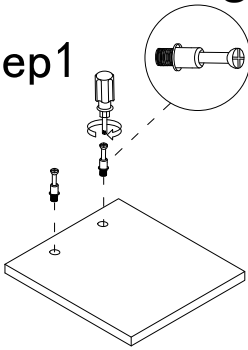
Double-head screwdriver, use as required

Product structure decomposition

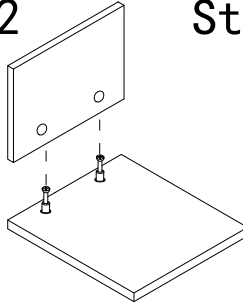


Use parts A and B

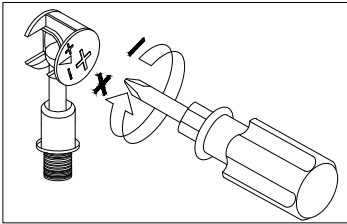
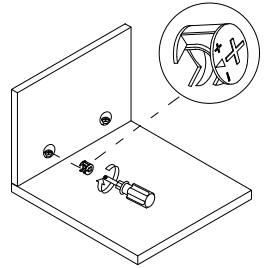
Step1



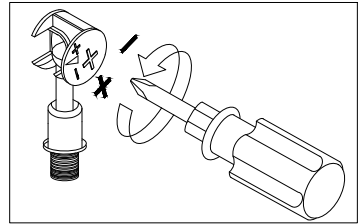
Step2



Step3

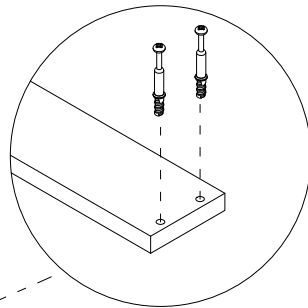
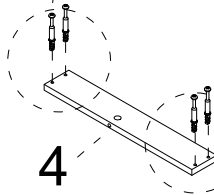
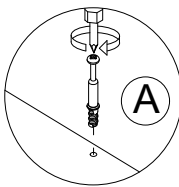
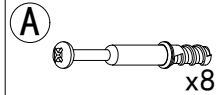
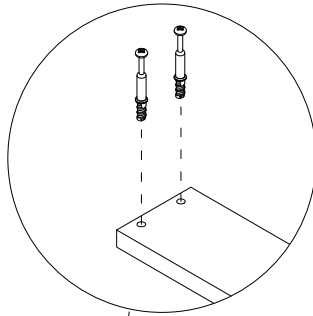


Use a screwdriver to lock in the direction of the "+" sign



Disassemble along the direction of "-" sign

Step 1



Steps and objects x2

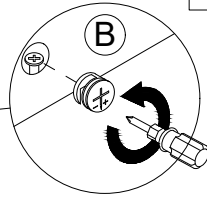
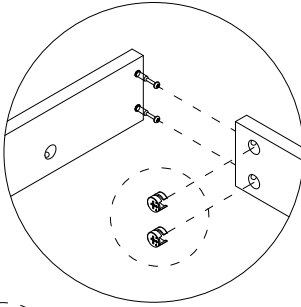
4

Step 2

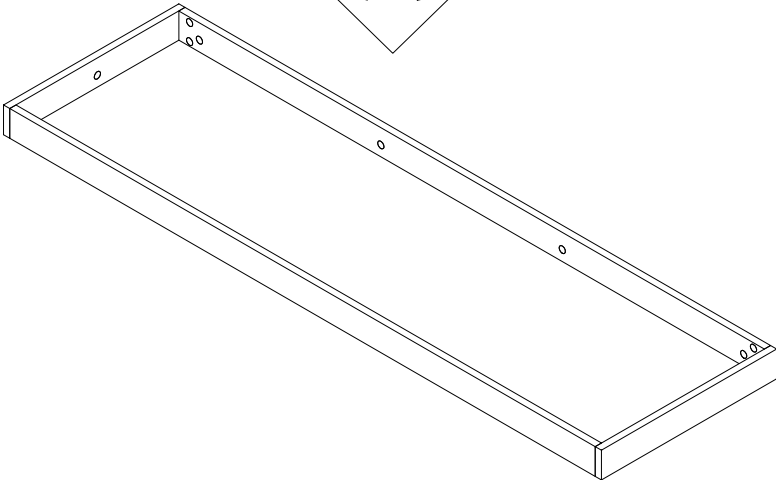
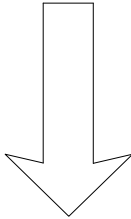
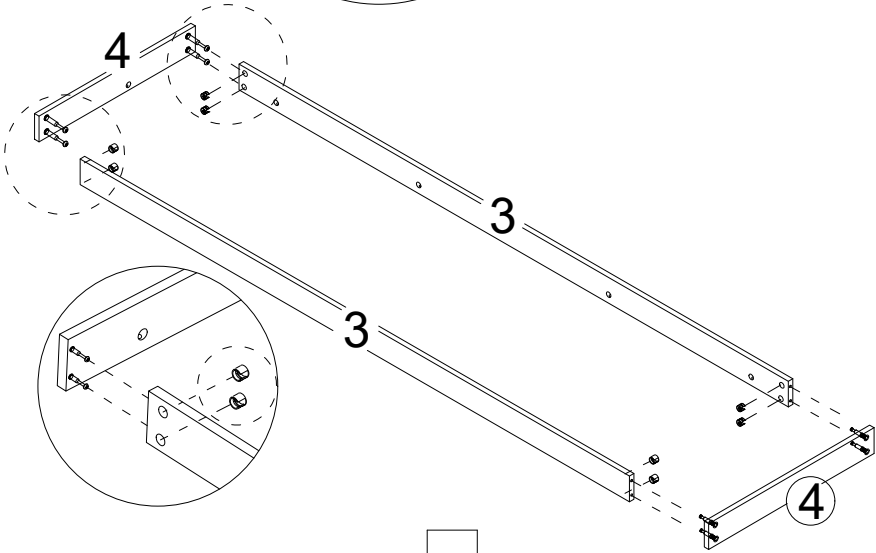
B



x8

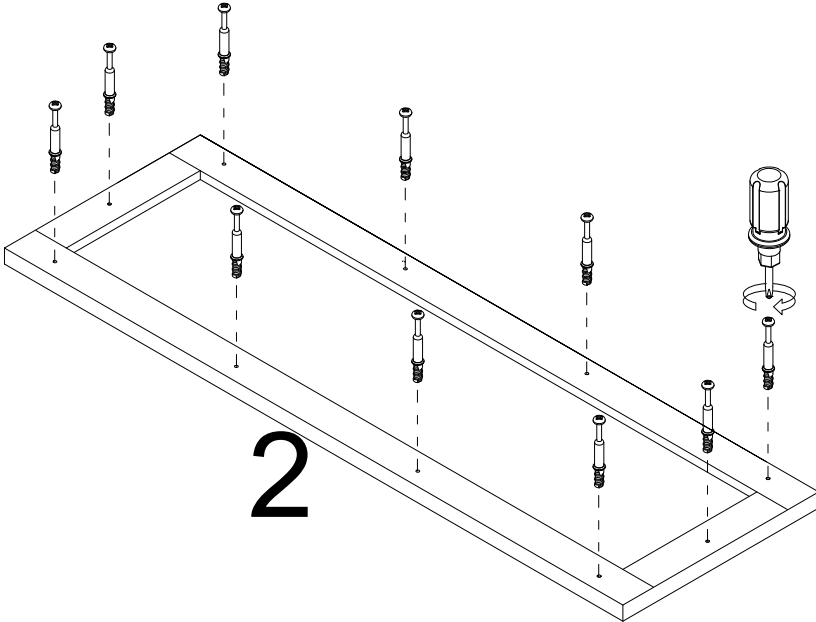
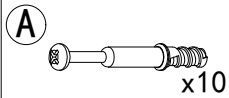


B

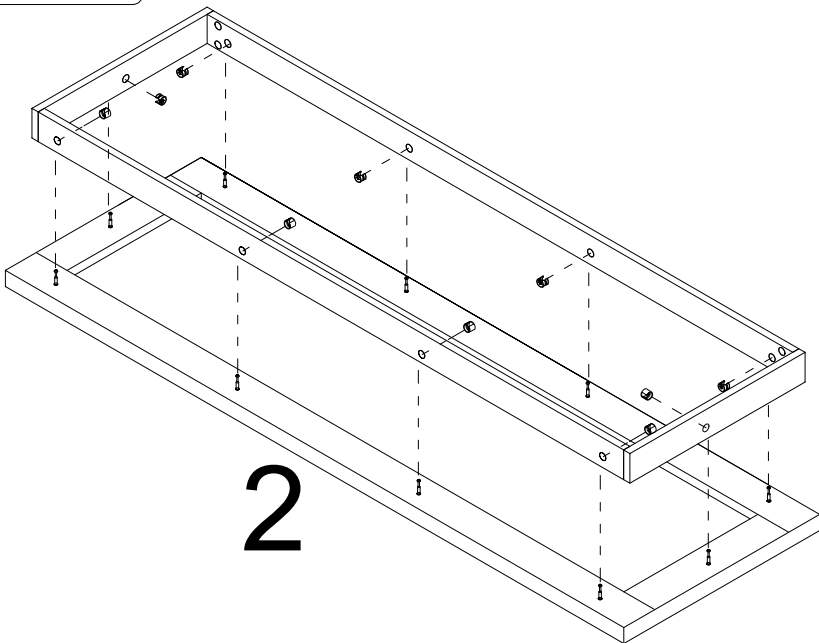


5

Step 3

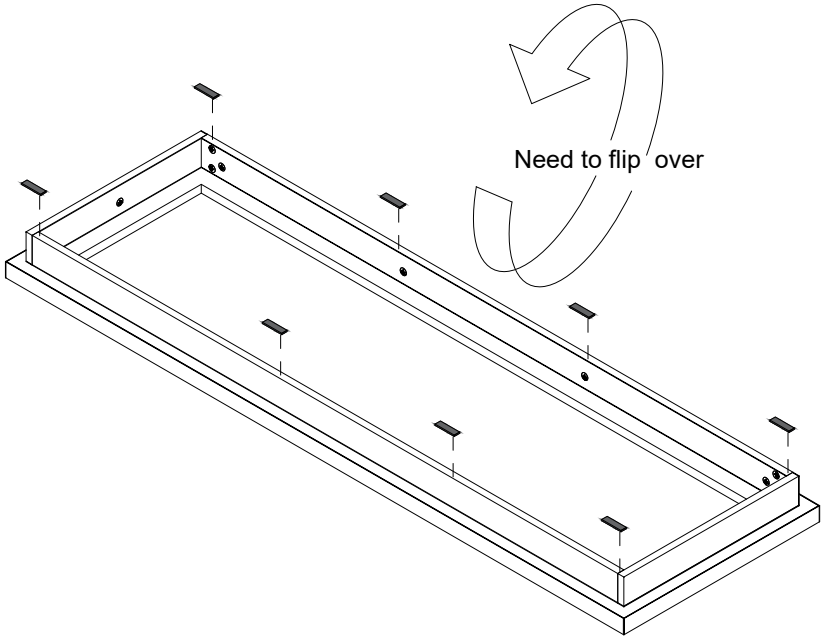
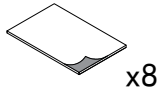


Step 4



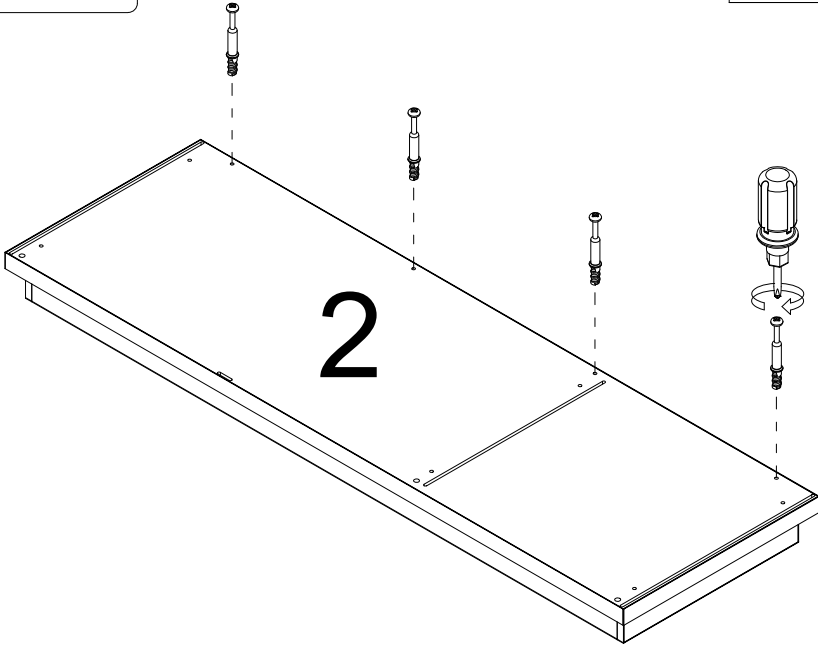
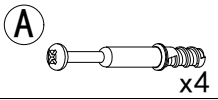
Step 5

D

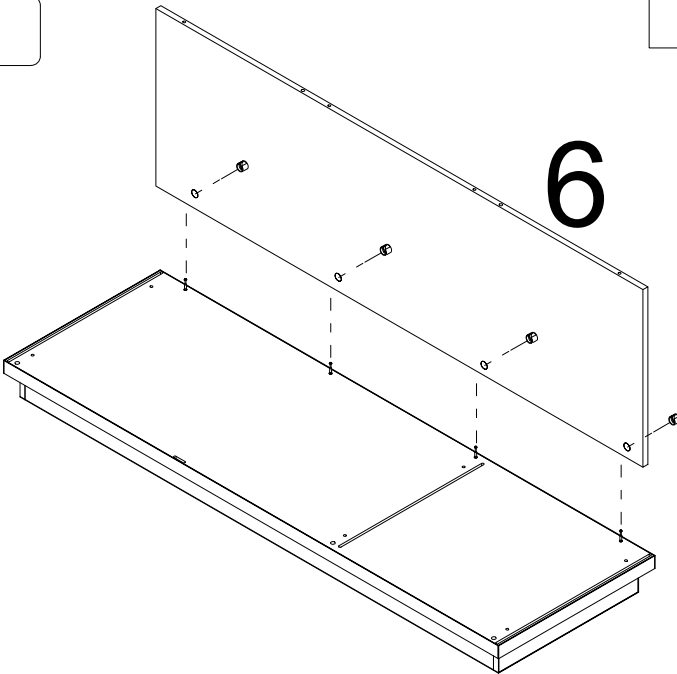


Tear off release paper and stick the black foot pad on the board

Step 6

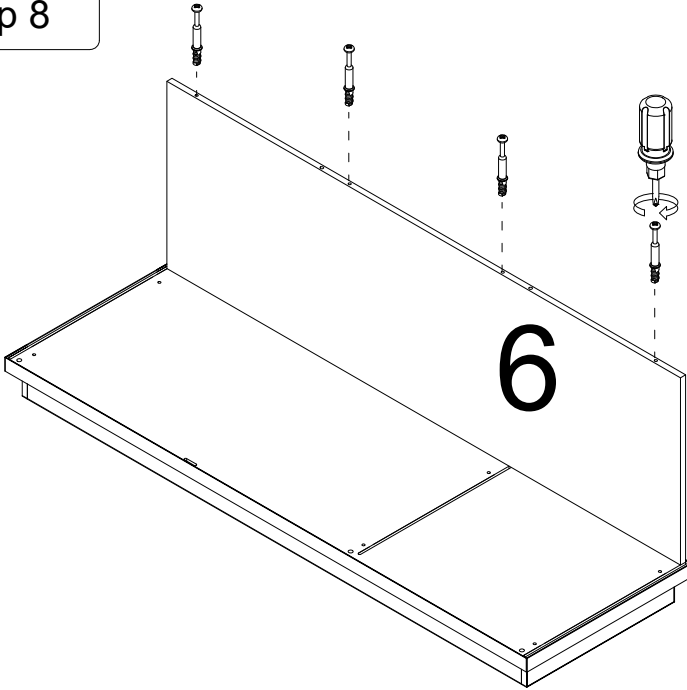
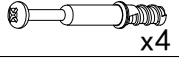


Step 7



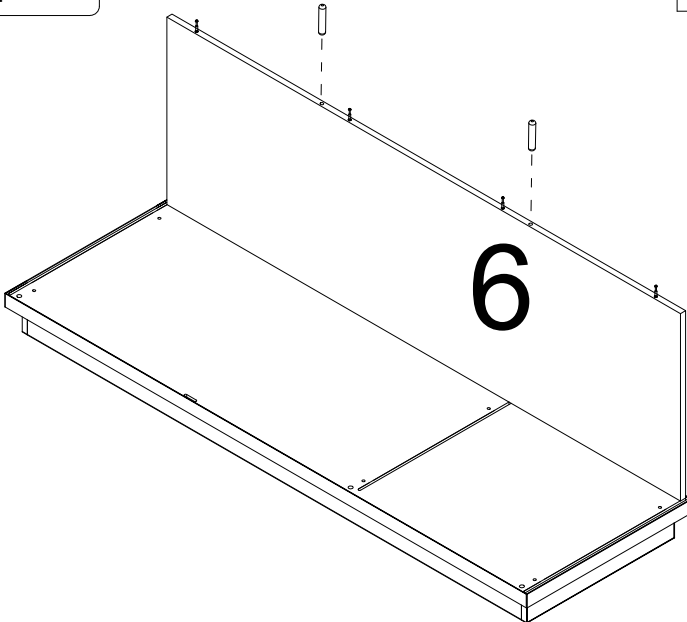
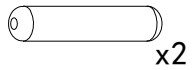
Step 8

A



Step 9

C



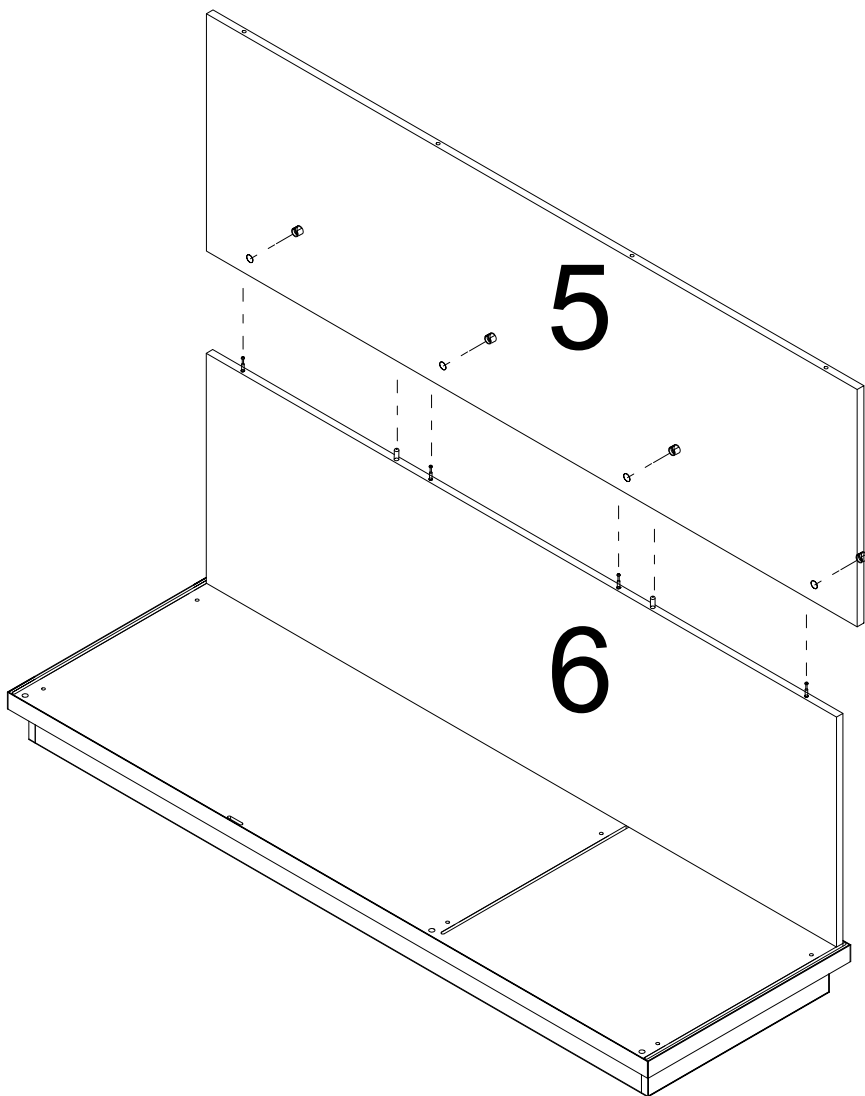
9

Step 10

B

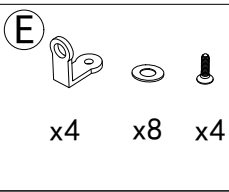


x4

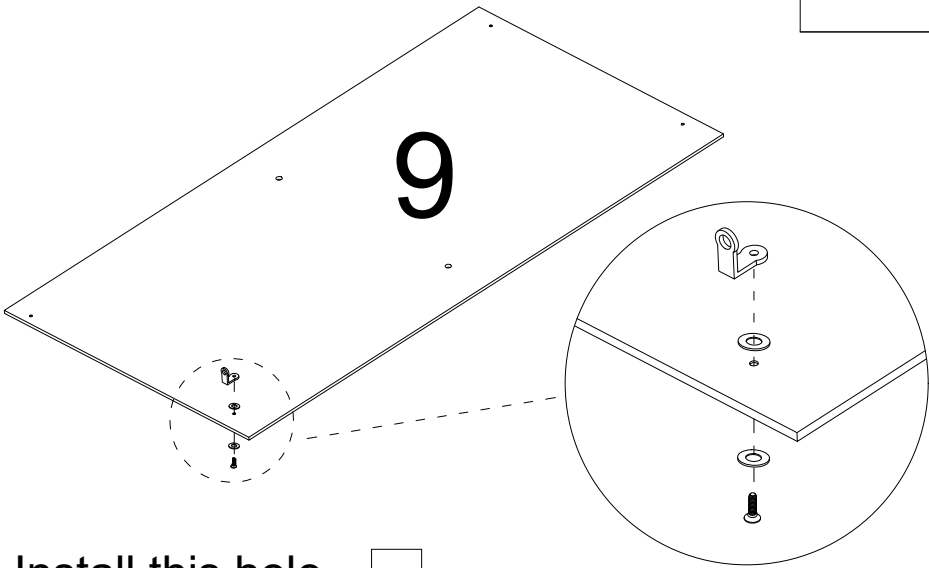


Step 11

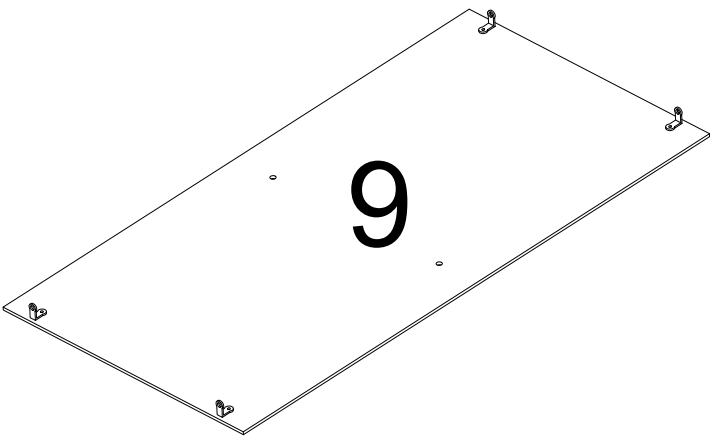
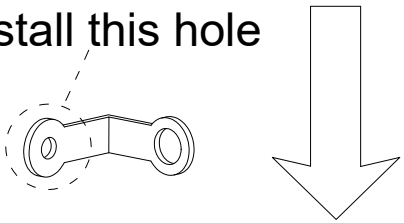
E



x4 x8 x4



Install this hole

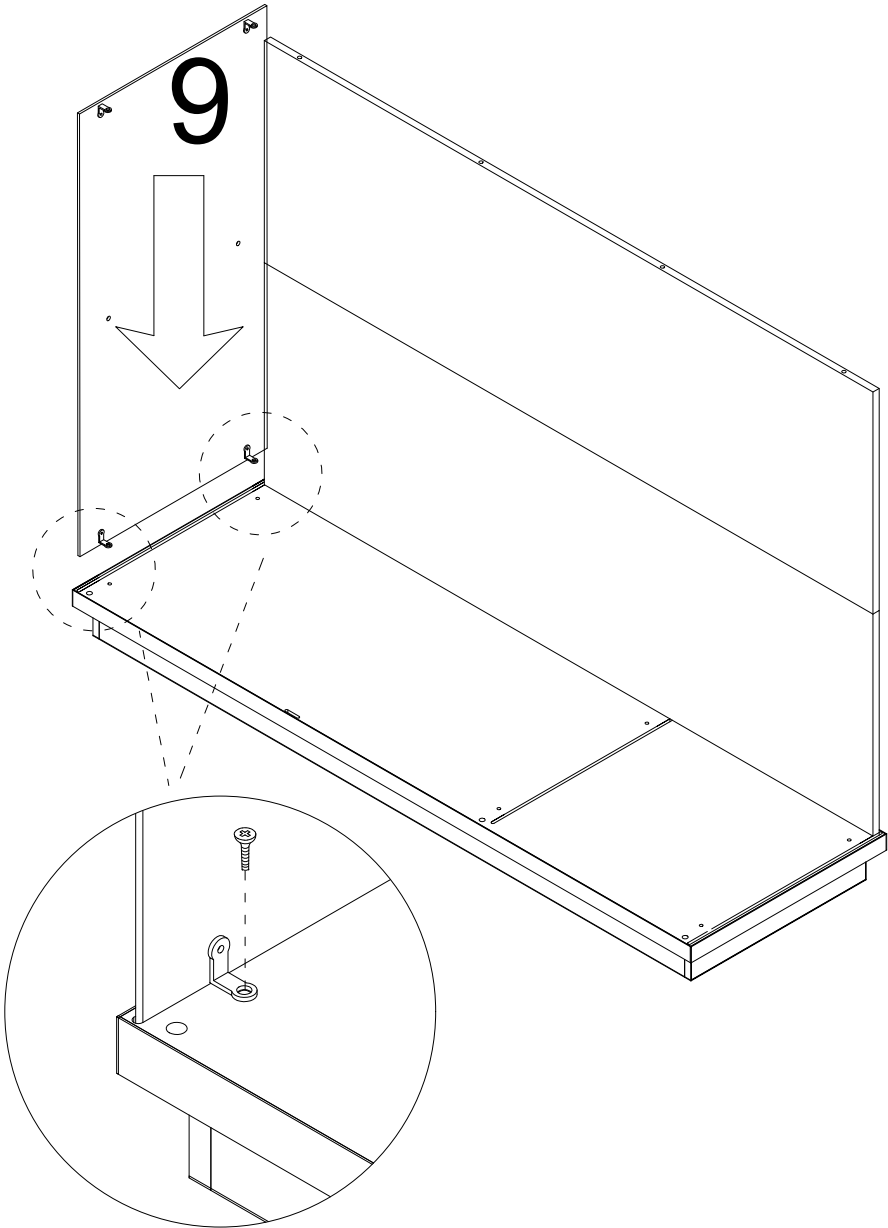


Step 12

F

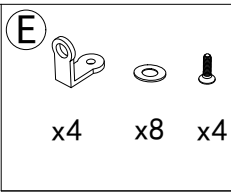


x2

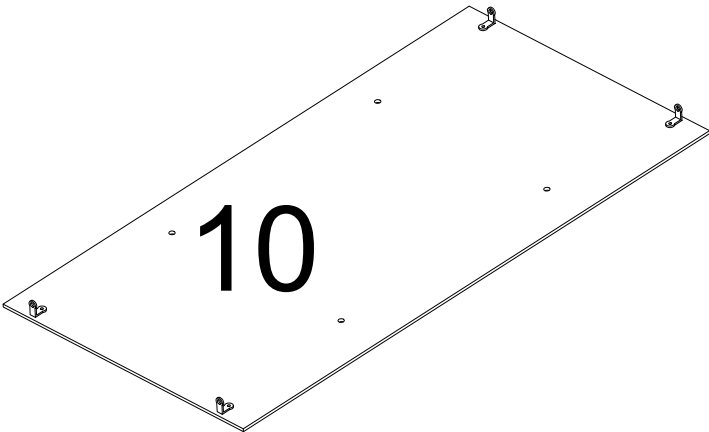
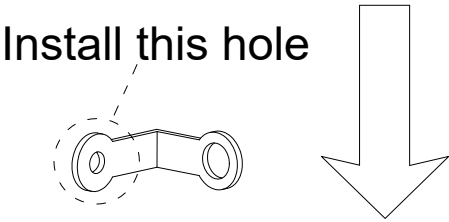
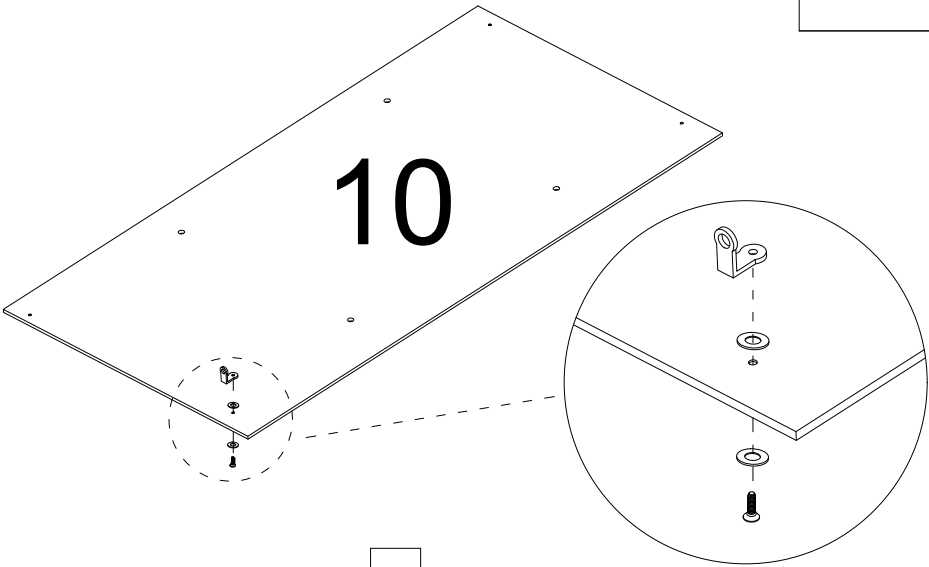


Step 13

E

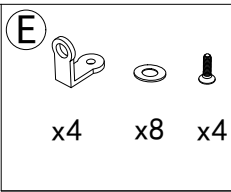


x4 x8 x4



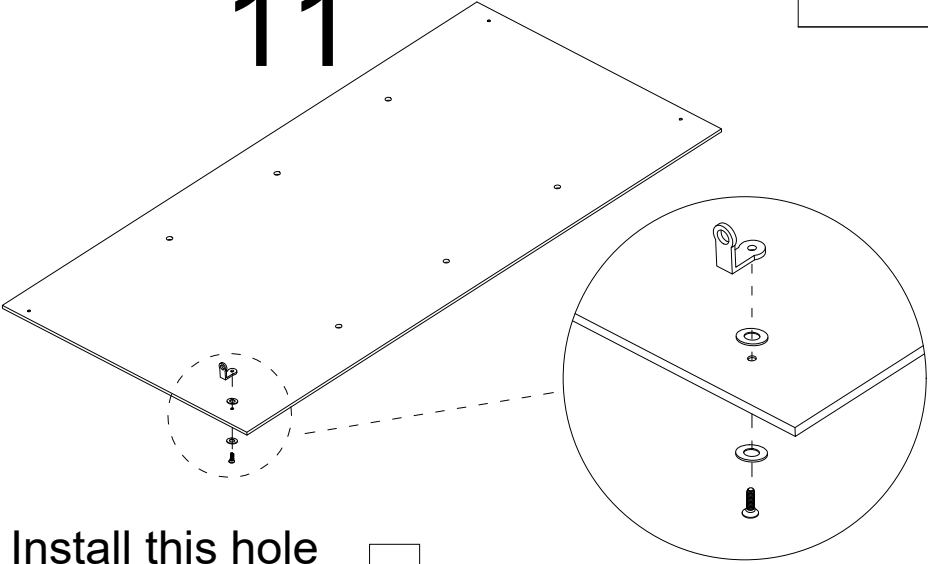
Step 14

E

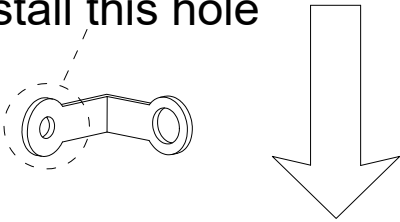


x4 x8 x4

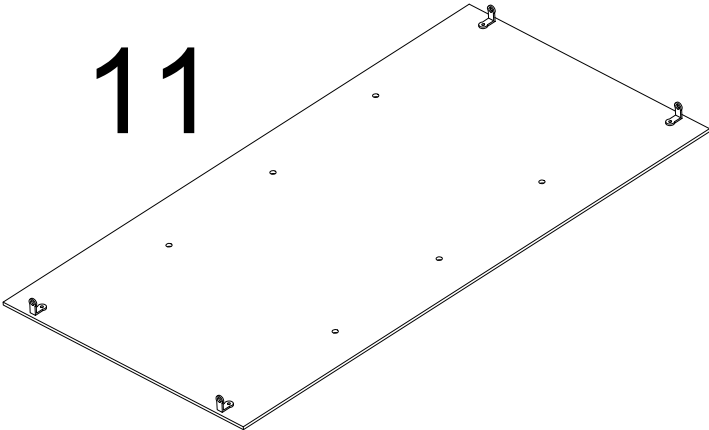
11



Install this hole



11



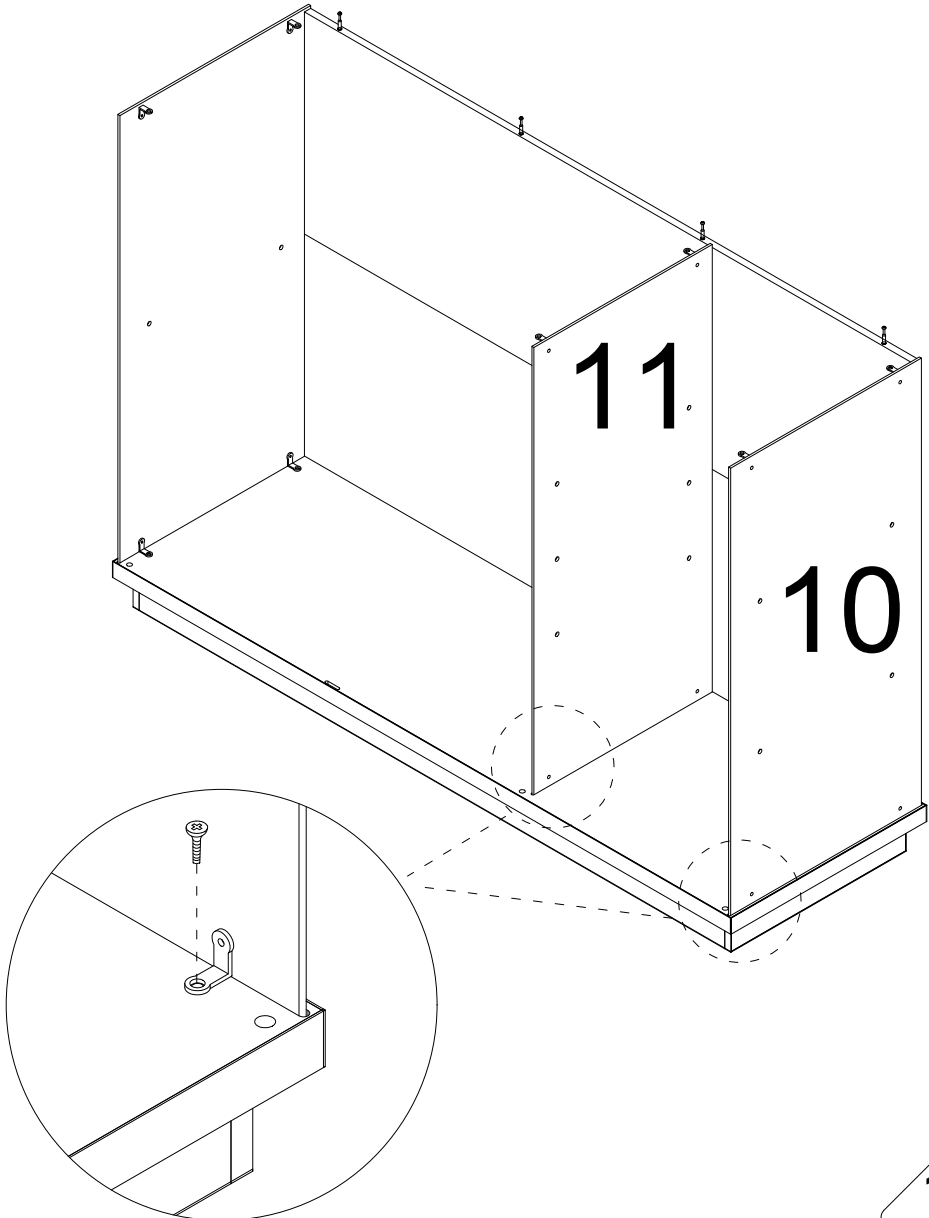
Step 15

F

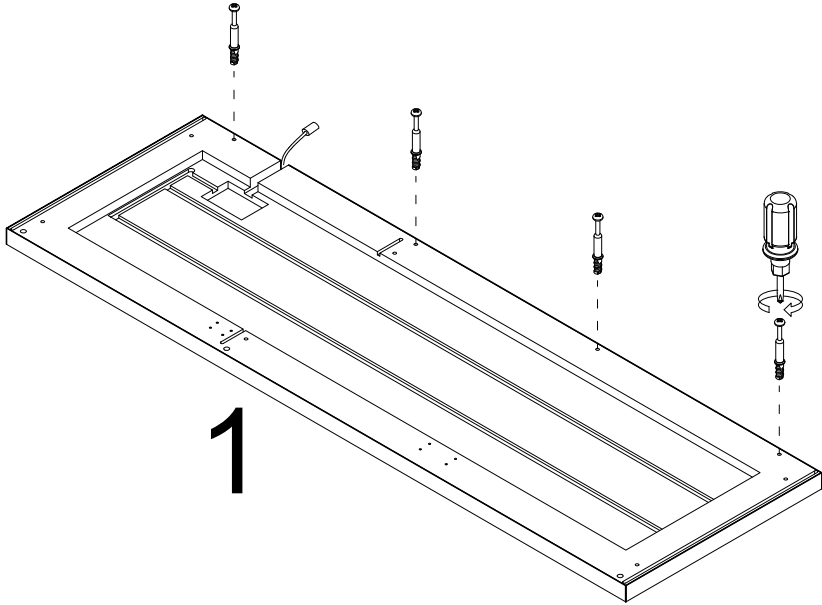
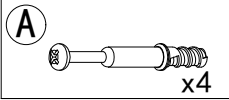


x4

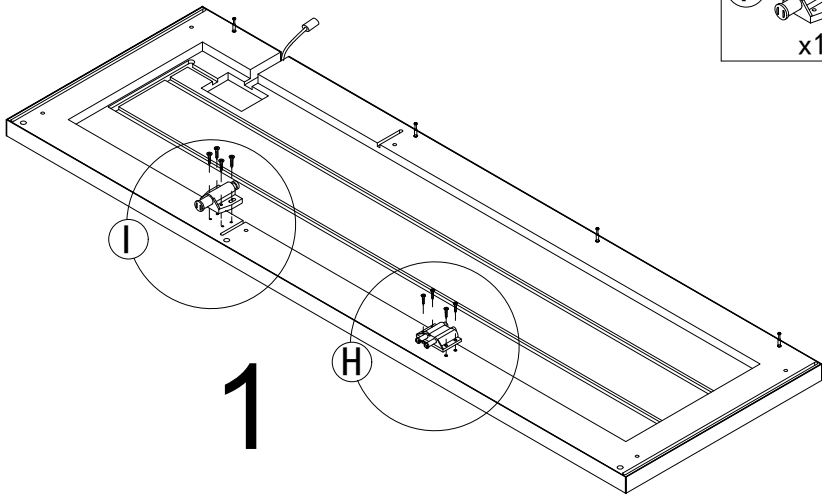
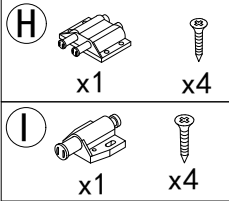
It is recommended that two people work together to install the structural wood panels.



Step 16



Step 17

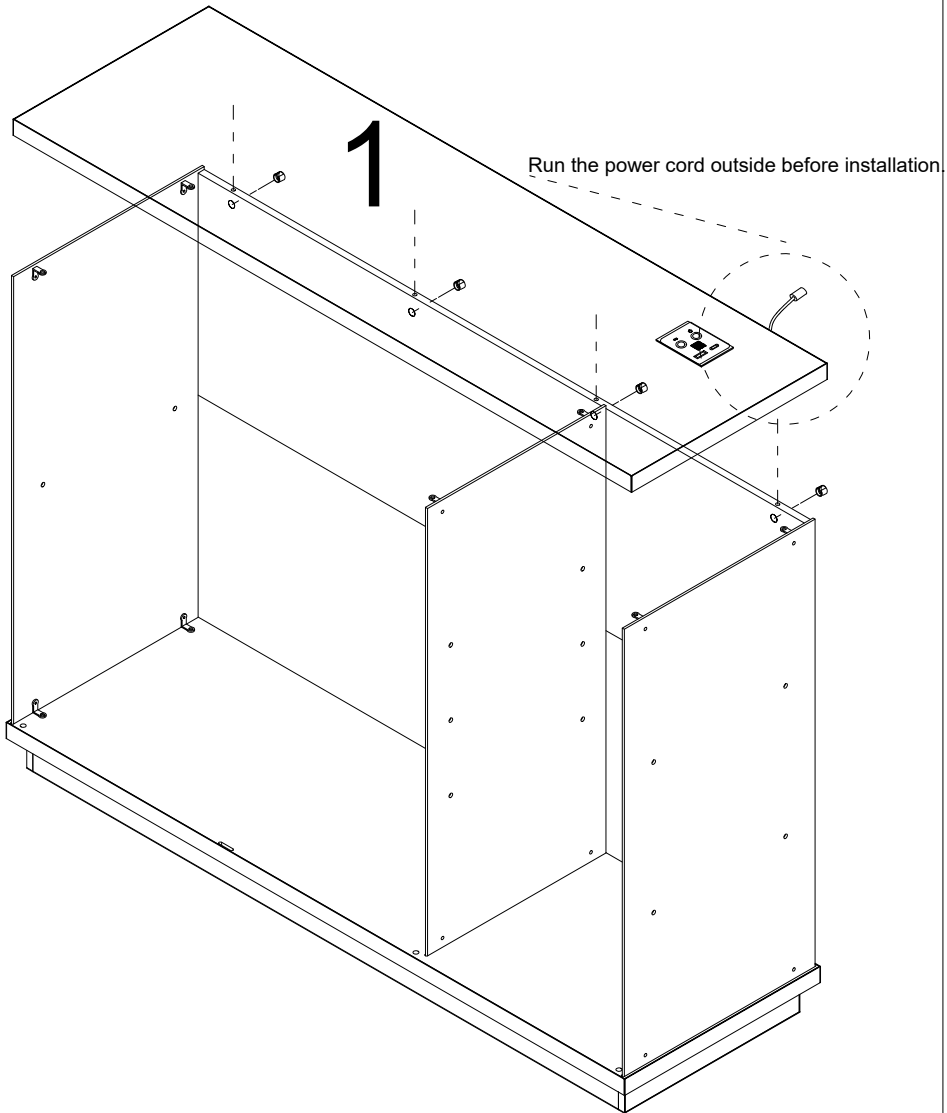


Step 18

B



x4



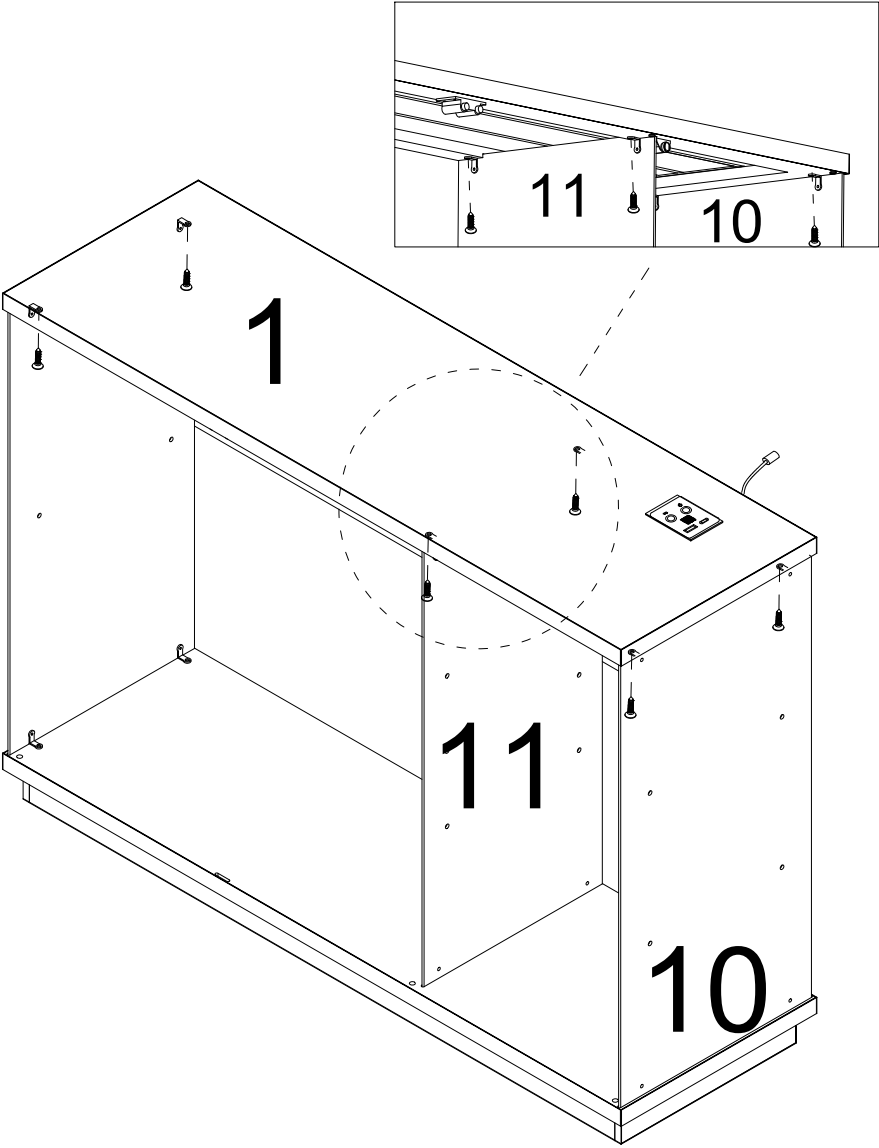
It is recommended that two people work together to install the structural wood panels.

Step 19

F



x6



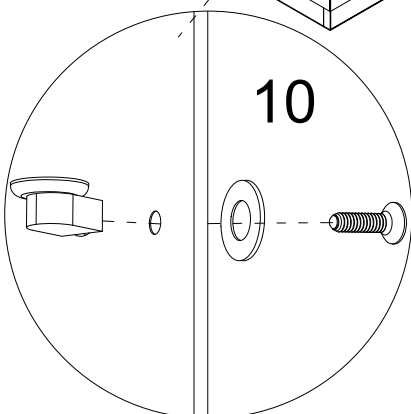
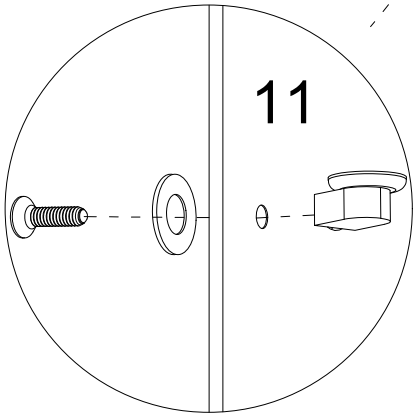
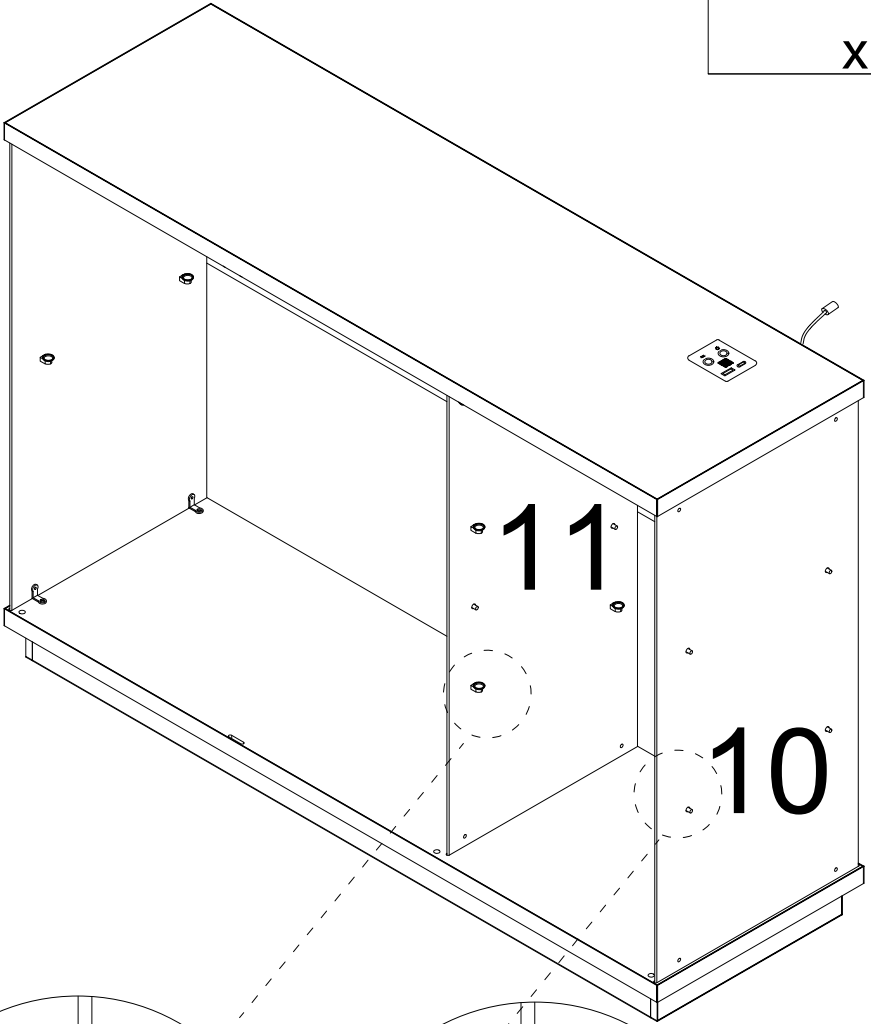
It is recommended that two people work together to install the structural wood panels.

Step 20

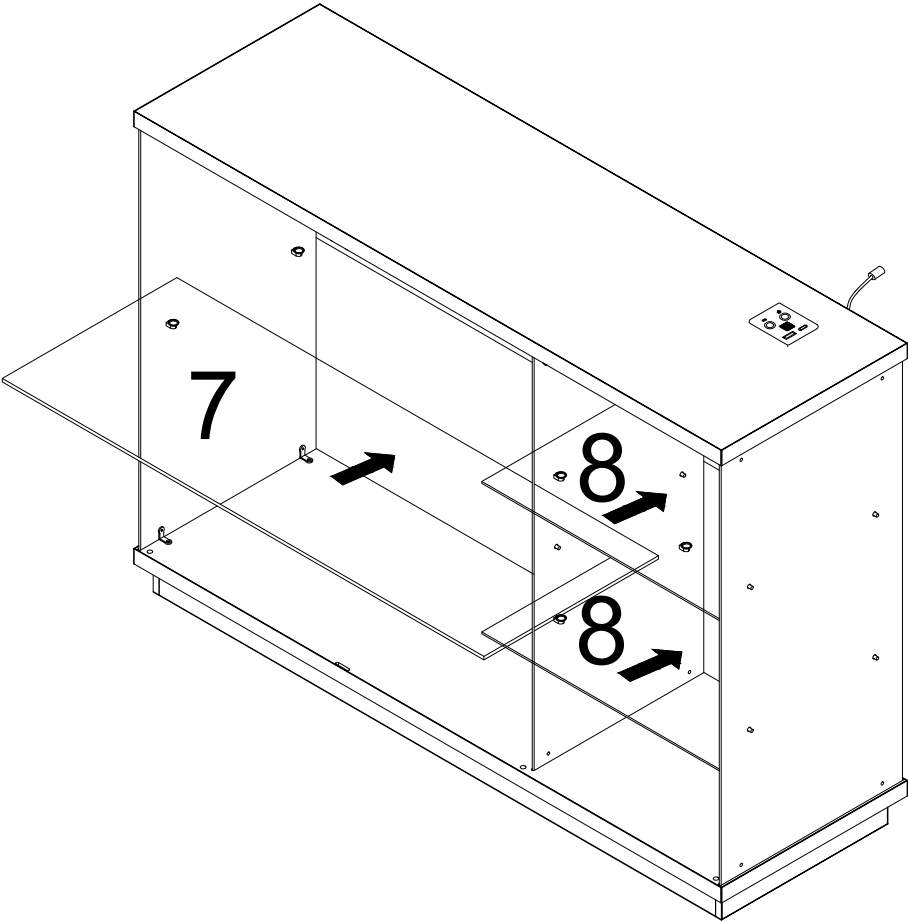
G



x12

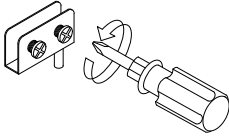


Step 21

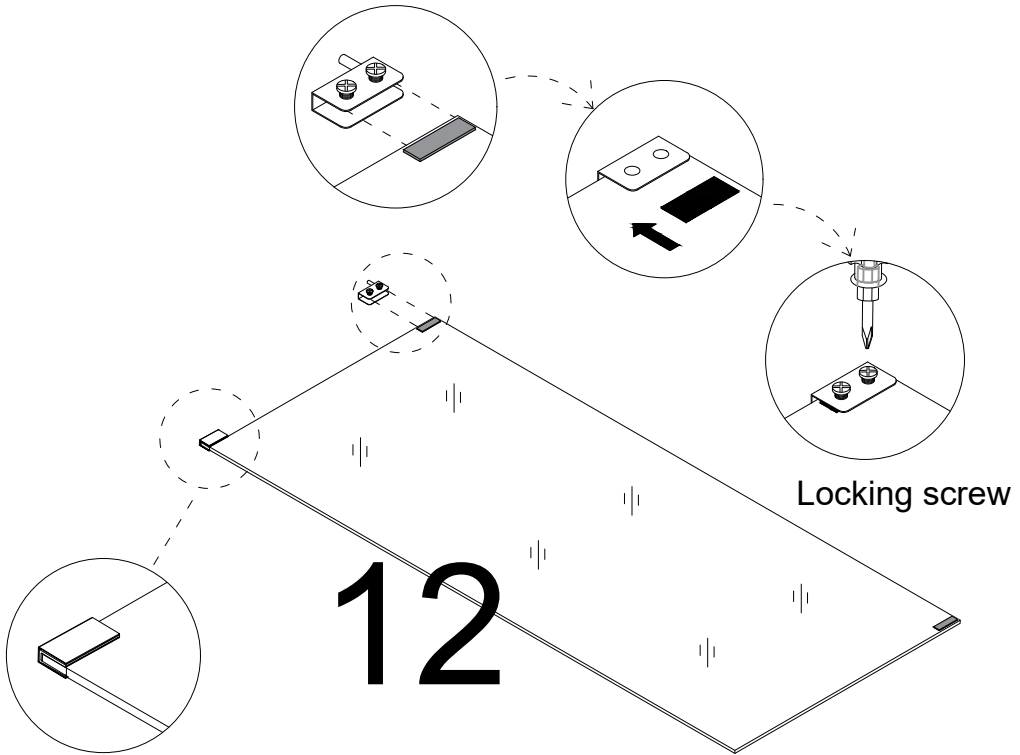
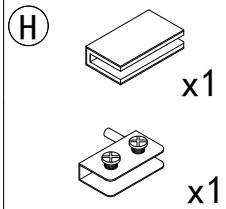
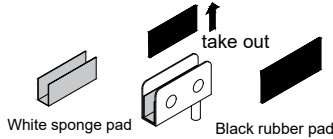


Step 22

First, completely unscrew the screws on the parts



Then take out the black rubber pad from the inside of the part, and the white sponge remains unchanged inside the part.

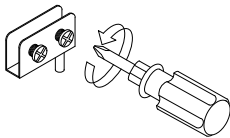


Pay attention to the direction of the door hinge, rotate the screws to compress the black gasket, and do not place it in the opposite direction

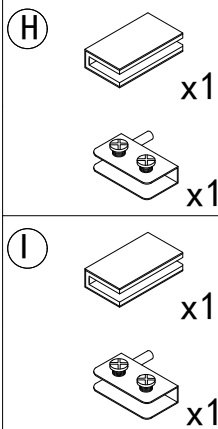
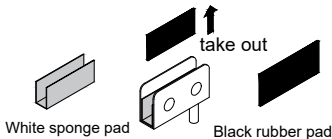
Place the black gasket on the side where the screws are installed

Step 23

First, completely unscrew the screws on the parts



Then take out the black rubber pad from the inside of the part, and the white sponge remains unchanged inside the part.



Locking screw

12

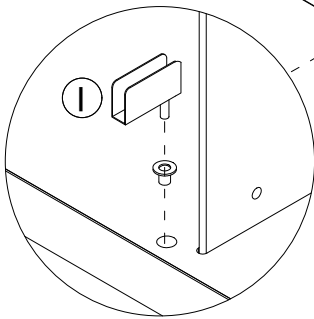
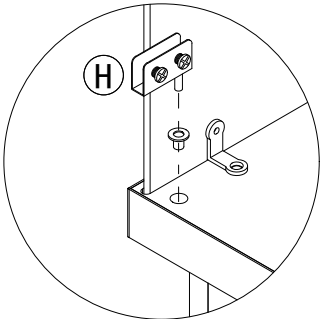
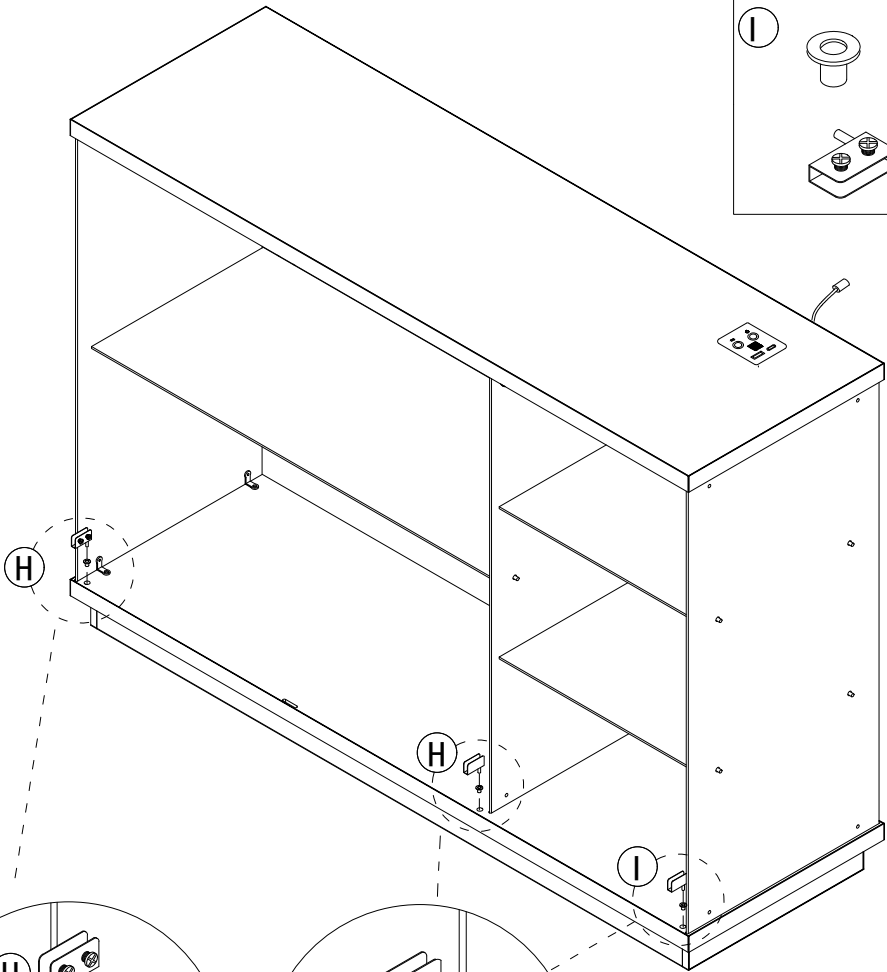
x2

Pay attention to the direction of the door hinge, rotate the screws to compress the black gasket, and do not place it in the opposite direction

Place the black gasket on the side where the screws are installed

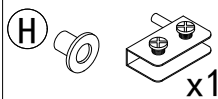
Step 24

- H**
[Cuphead] x2
[Bracket] x1
[Bracket] x1
- I**
[Cuphead] x1
[Bracket] x1

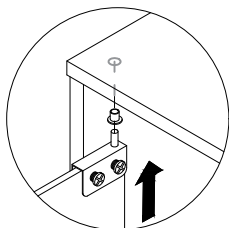


Step 25

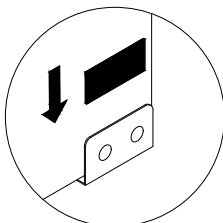
Pay attention to the direction of the door hinge during installation



When installing a glass door, it is recommended to have two people install it to avoid the glass door colliding or hitting oneself.

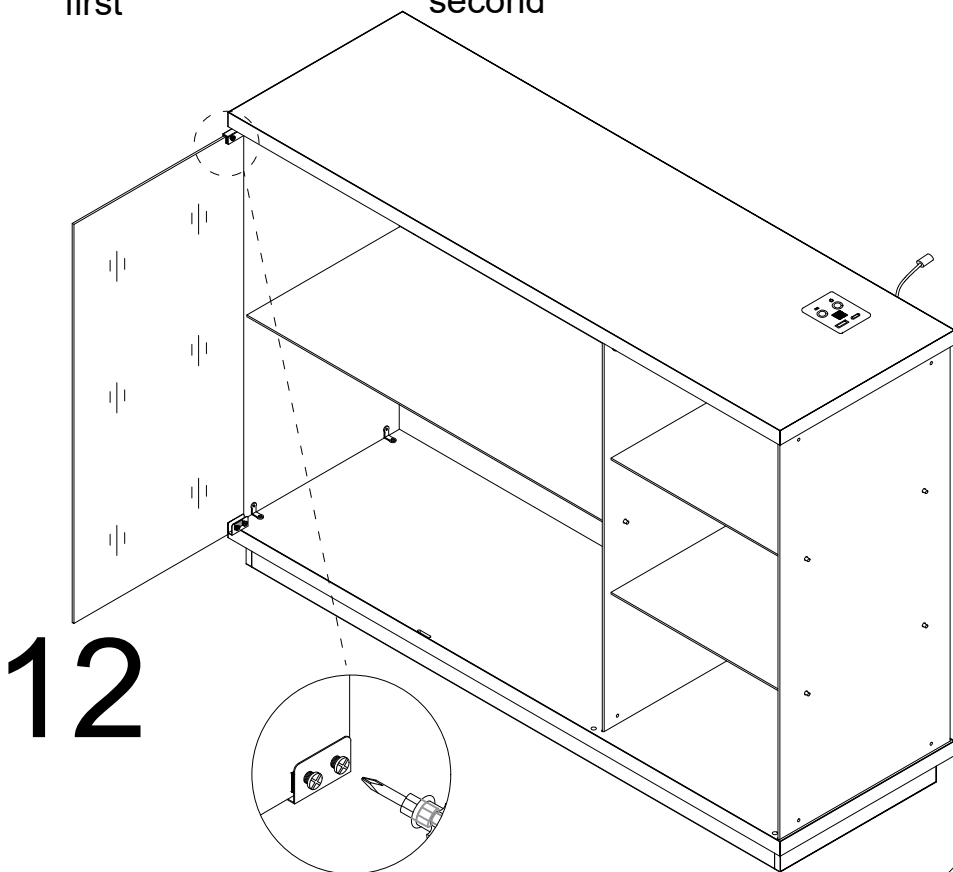


first

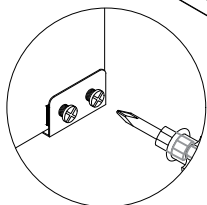


second

After installing the glass door, place the black gasket on the side where the screws are installed



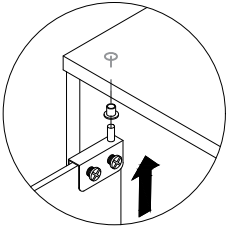
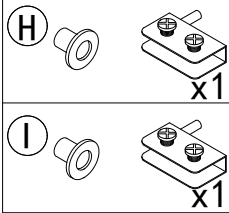
12



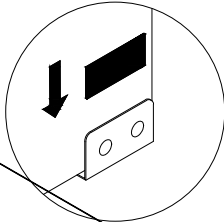
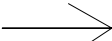
third

Locking screw

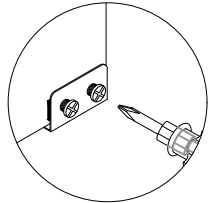
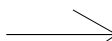
Step 26



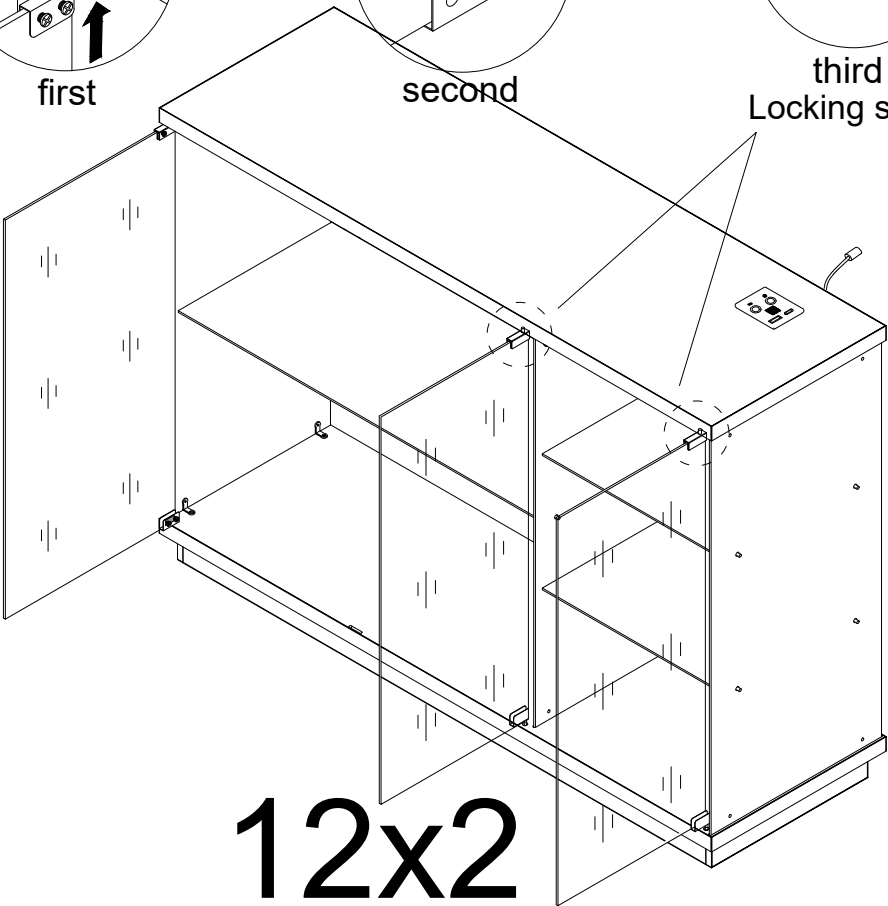
first



second

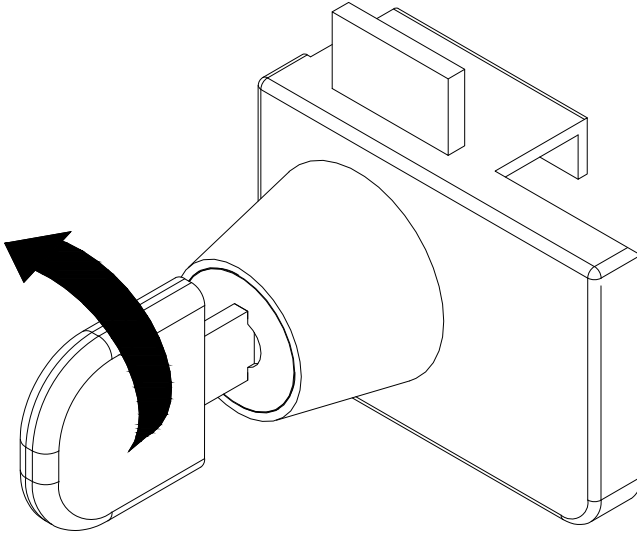


third
Locking screw

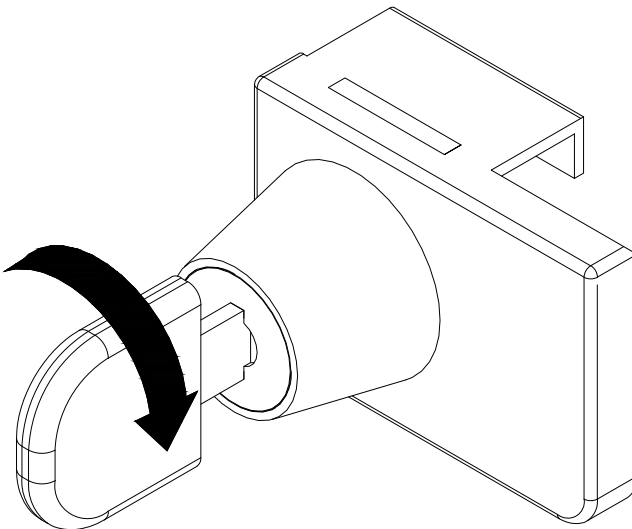


12x2

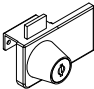


Tip: Turning the door lock to the right will close it

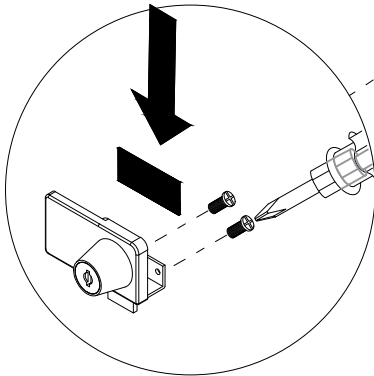
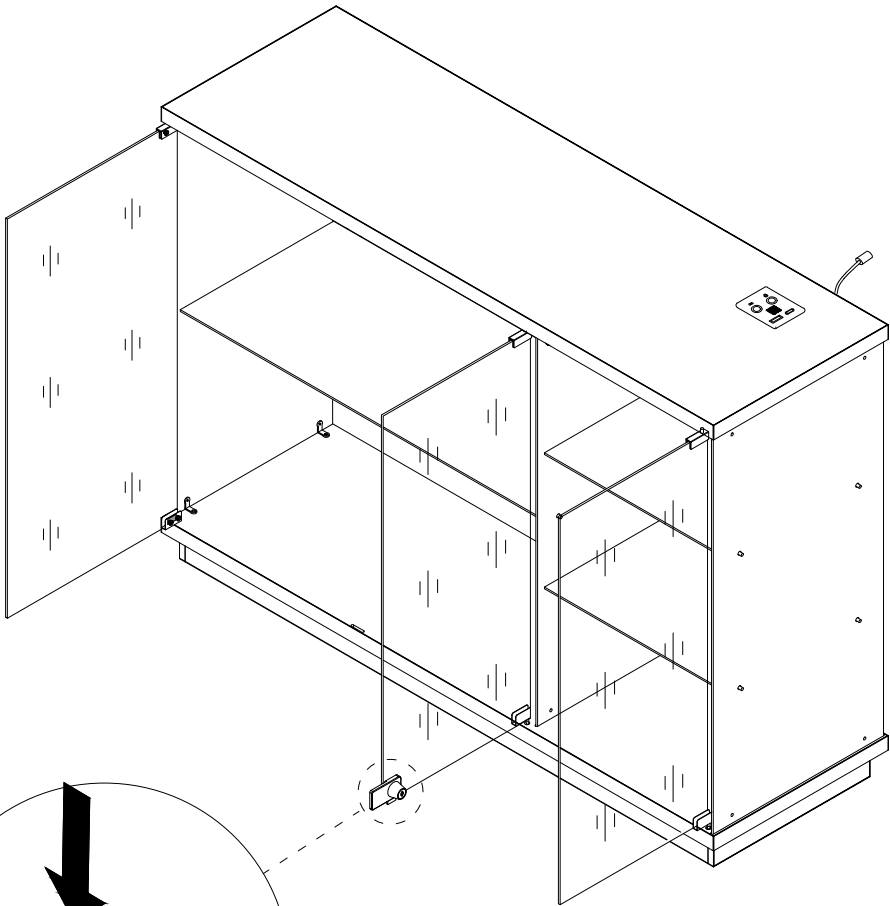


Tip: Turning the door lock to the left opens it

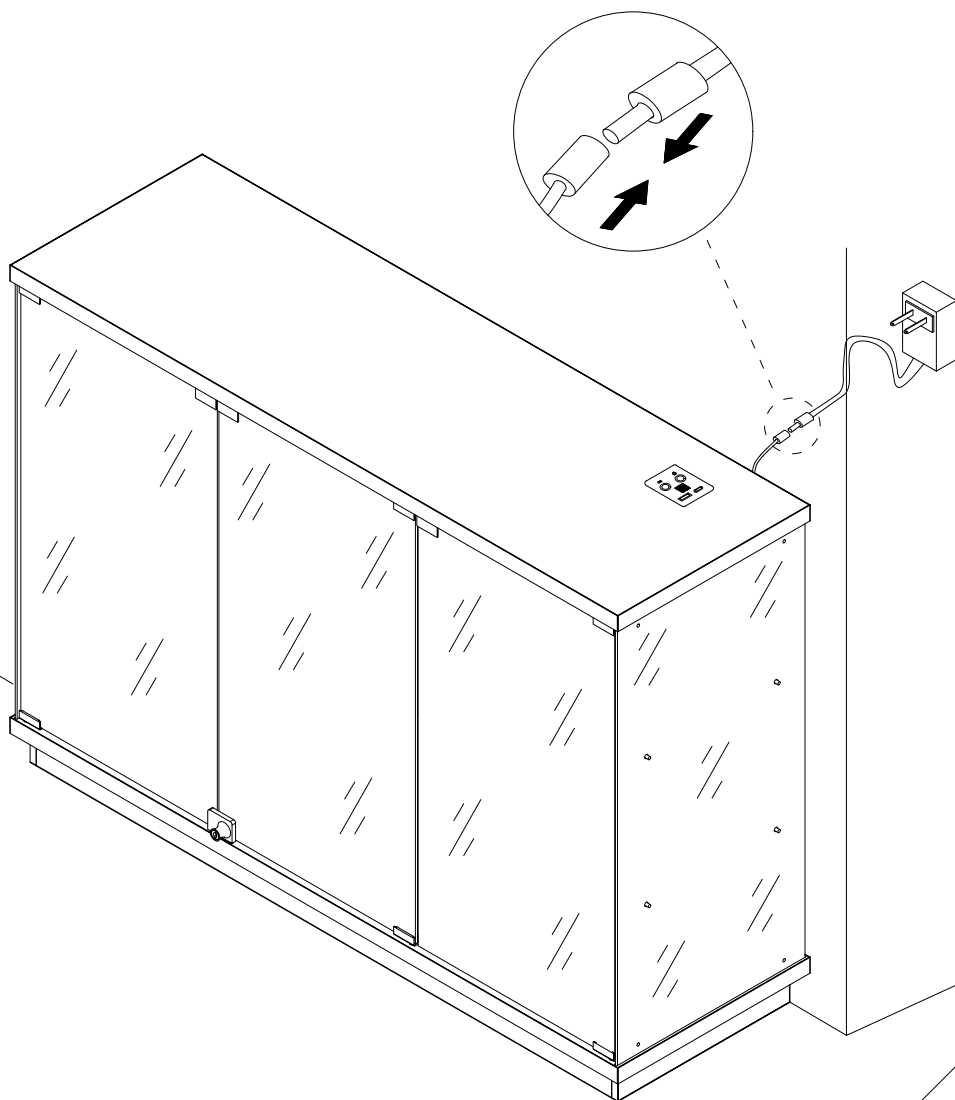


Step 27

- (J)  x1
-  x1
-  x2



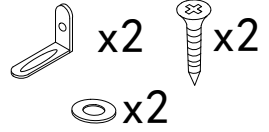
Step 28



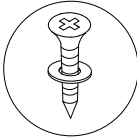
Step 29

Install as required

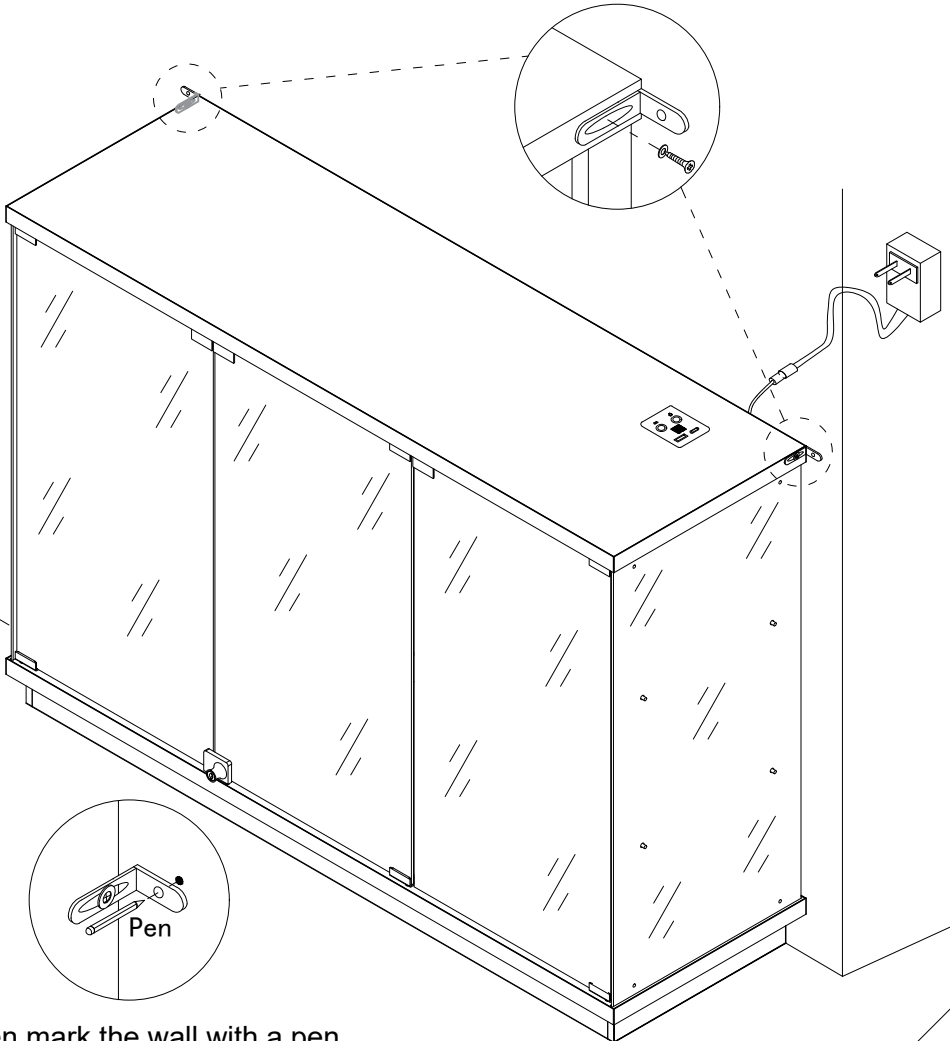
K



3.5x14mm



Install the anti fall hardware on the cabinet as shown in the picture first

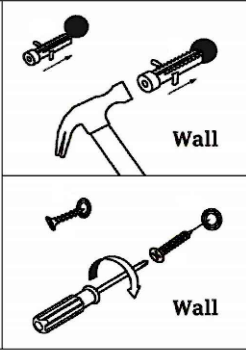
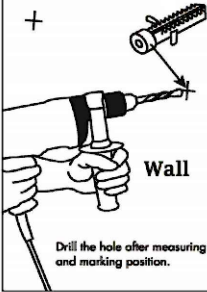


Then mark the wall with a pen through the holes in the anti-fall hardware

29

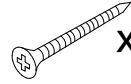

Step 30

Wall Mount



K

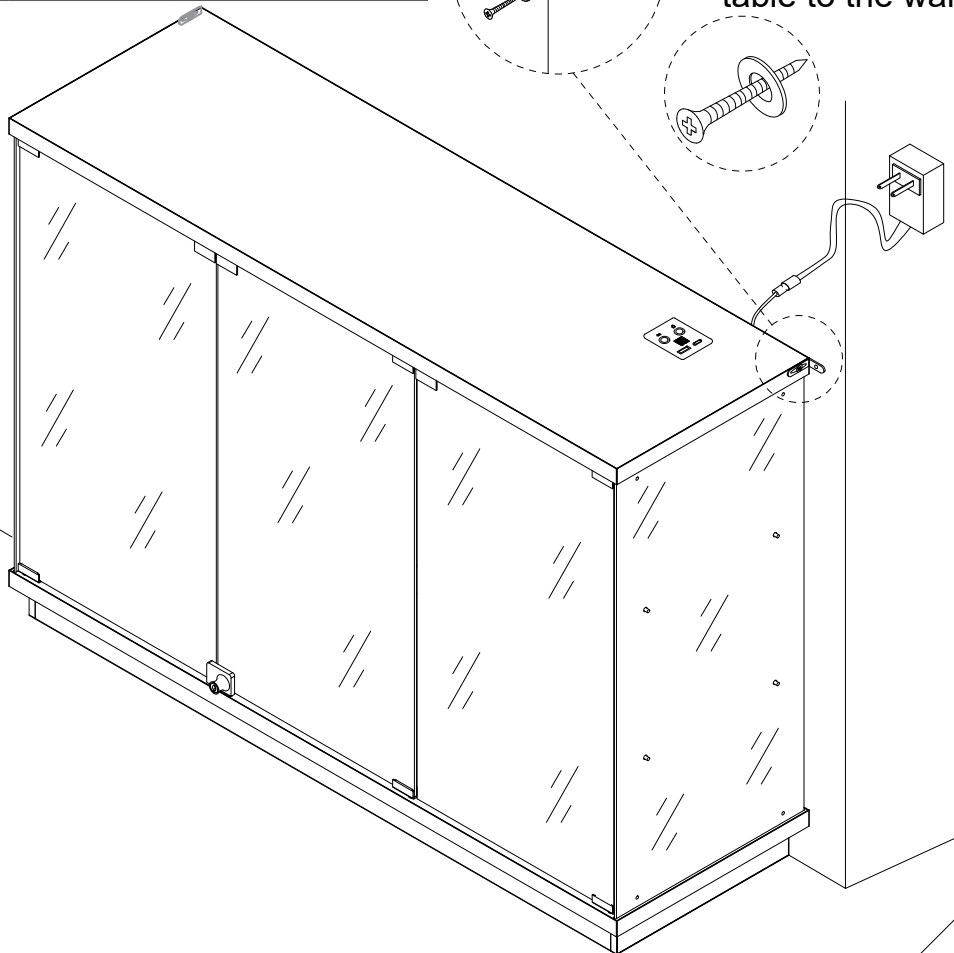
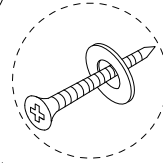
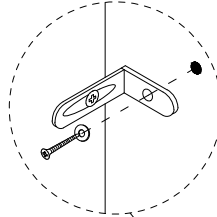
 x2

 x2  x2

Drill the hole with an electric drill and punch in the colloidal particles

4x45mm

Fix the dressing table to the wall





Scan code to download app

User's Guide

Thank you for purchasing this product.

To use this product, please connect it to a power source.

Please use if the product works normally after connecting to power.

If bubbles appear on the panel, remove the protective film.

Introduction

The box is an intelligent controller.

It has 1 USB output port 1 Type-c port, with 2 touch buttons ,

it can and turn ON/OFF the induction function,

turn ON/OFF the light,adjust the light luminance, and change light colors.

The lights can be controlled through both the touch buttons and a dedicated app.

Operation



This touch button is used to turn the light on/off, adjust brightness, and switch the color of the lights.

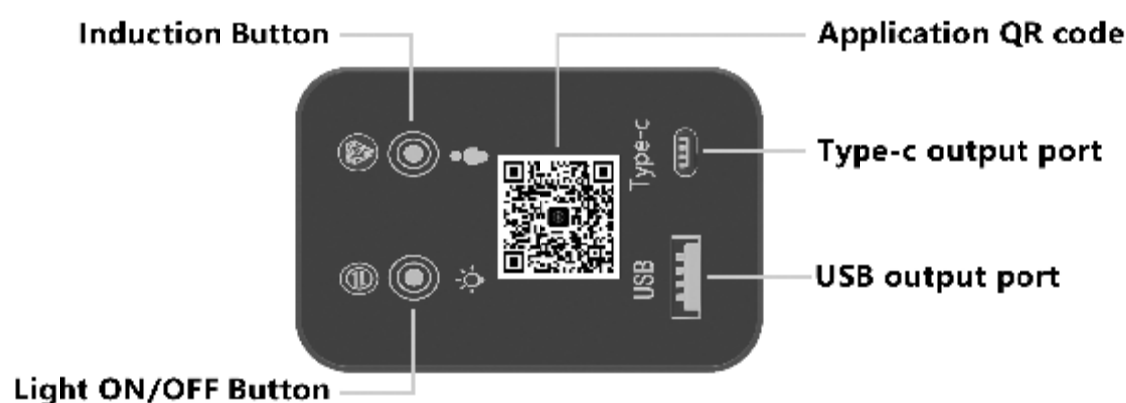
- i. Single Click: Turn the light on/off.
- ii. Quick Double-Click: Switch between 7 static RGB colors.
- iii. Long Press (2+ seconds): Adjust the light luminance.



This touch button is used to switch dynamic phantom colors and turn ON/OFF the induction function.

- i. Single Click: Switch to Phantom Mode, with 5 magical color transformations available.
- ii. Human Body Sensing Control: Long Press (3+ seconds): Turn on The key press indicator light is on.)
Long Press (3+ seconds): Turn off (The key press indicator light is off.)

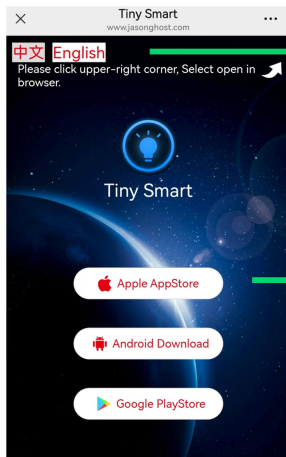
By default, the human body sensing is enabled upon initial power-on, and the indicator light is on.



⚠ ATTENTION PLEASE

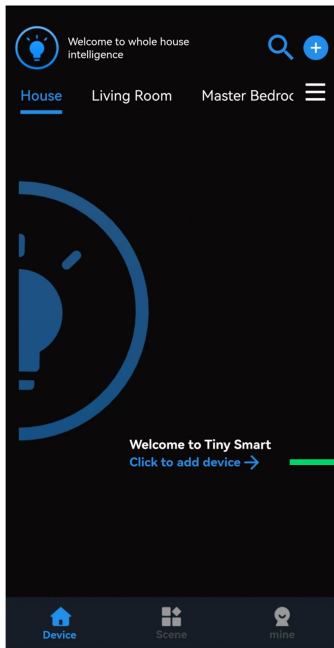
1. If there is no touch response suddenly, Re-plug the power to reset the touch static electricity.
2. If you have any questions when installing, please feel free to contact us. Thank you.

Smart Box Plug Power Off
Scan the QR code to download the app

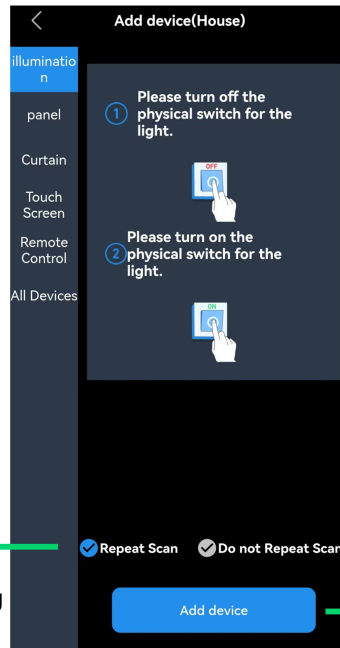


Select English Language

Select the corresponding device to download.
Note: If the download fails, please turn off the "Enhanced Protection" in the Pure Mode settings of the device.



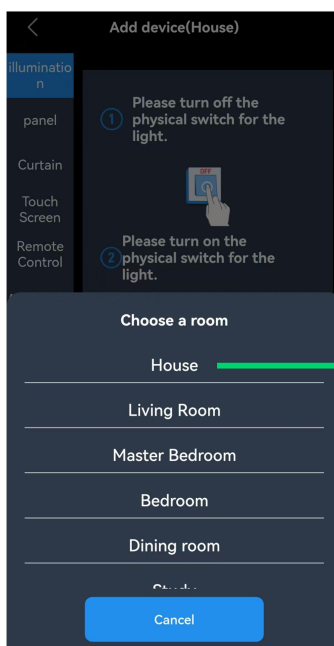
1



2

It turns blue after clicking

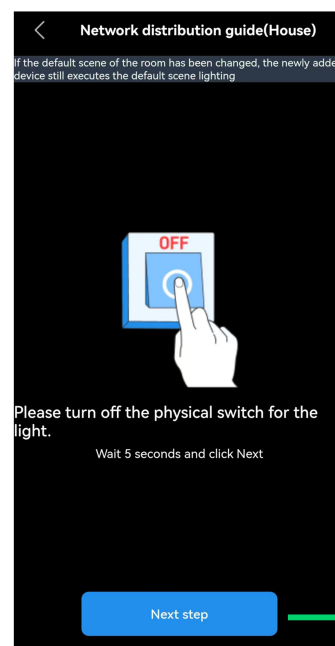
3



4



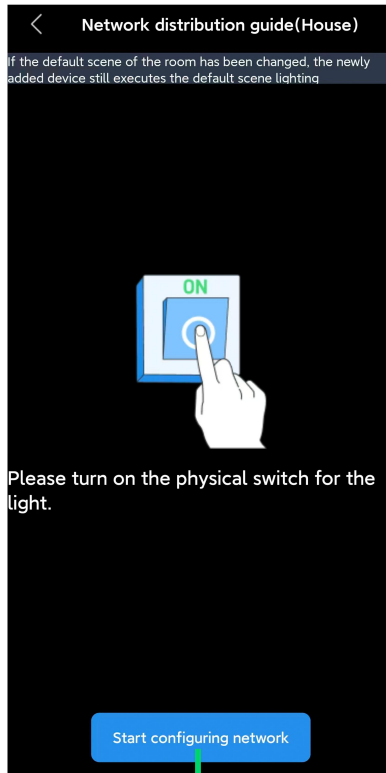
5 Unplug the smart box



6

7 Plug in the smart box power plug.

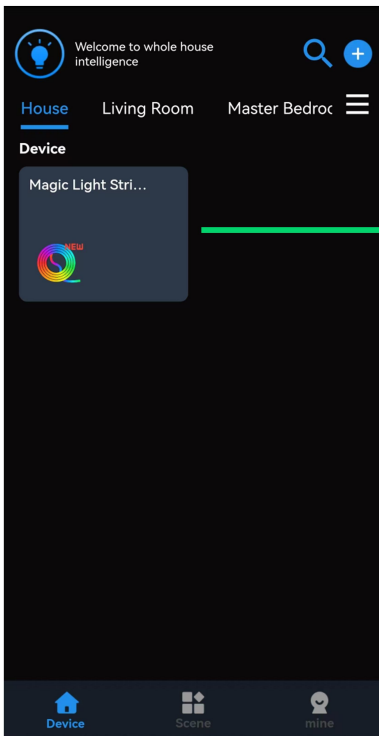
The appearance of this program icon indicates that the matching is complete



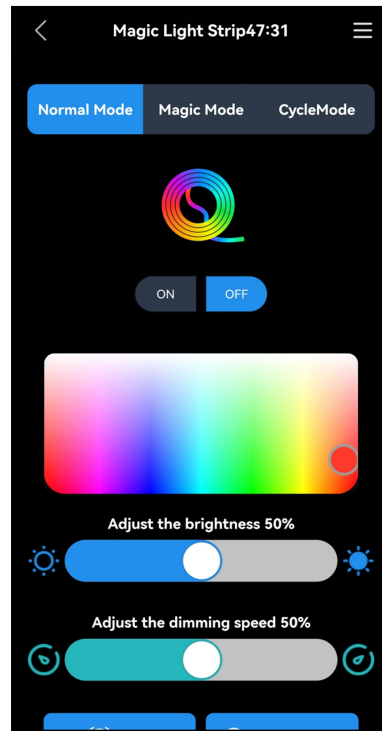
8



9



10



Now you can freely adjust the lighting according to your preferences