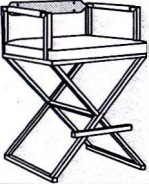



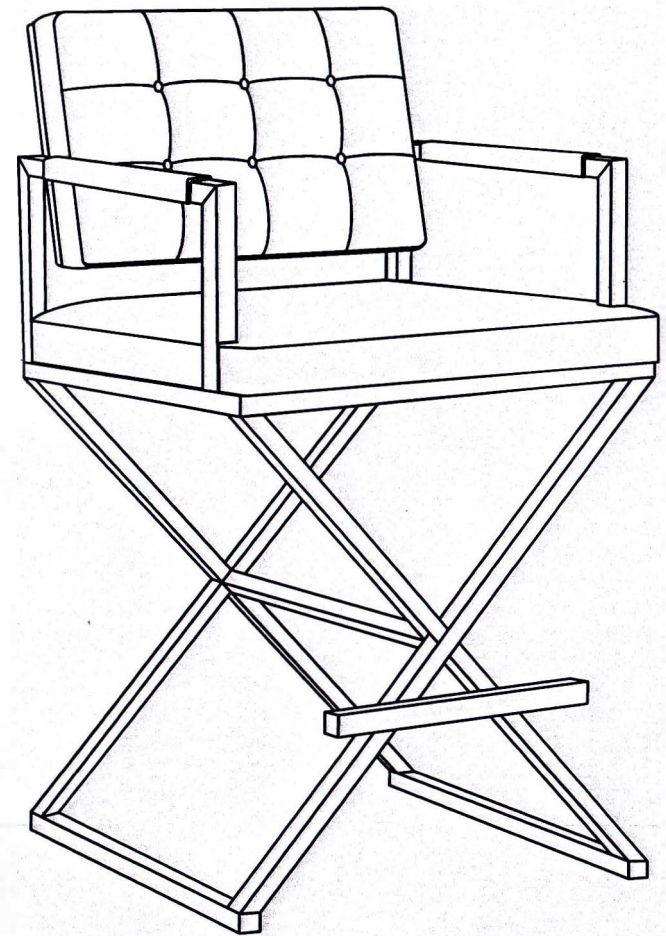
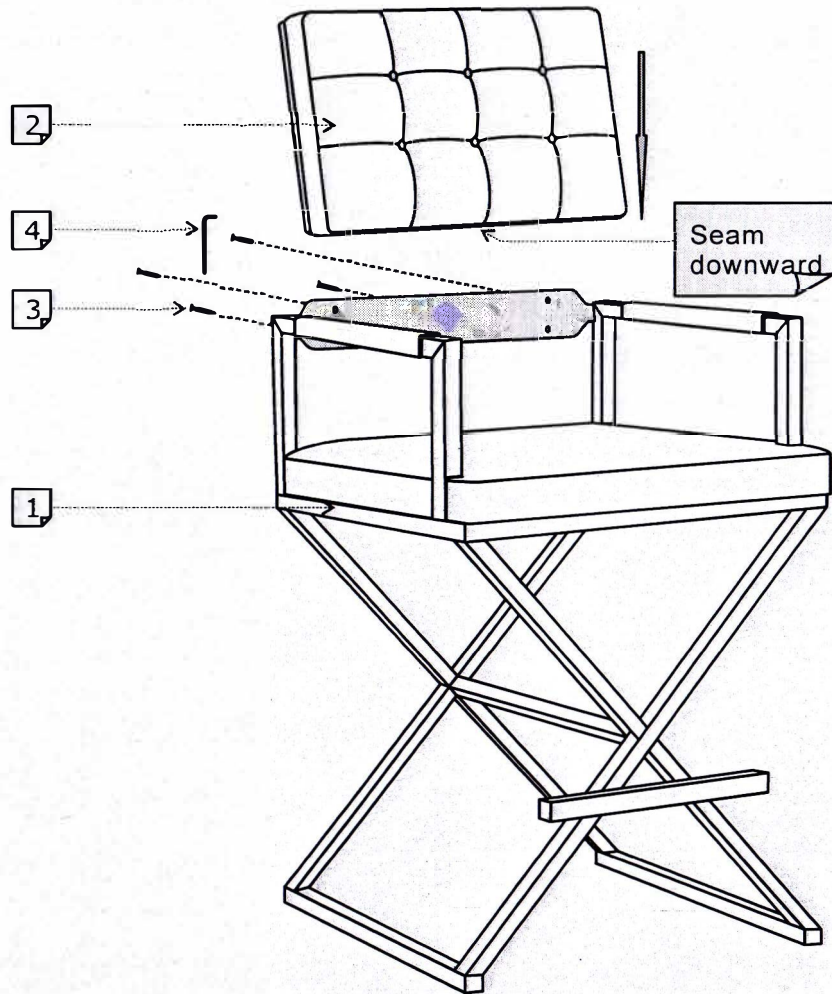


FRAME	2	SEAT BACK	3	SCREW 6*30(4Pcs)	4	SPANNER M4
						

## Assembly Instruction



**CLEANING OF PU\LEATHER COVER-WIPE CLEAN WITH A SOFT CLOTH MOISTENED WITH WATER AND NEUTRAL DETERGENT. DO NOT USE BLEACH, CHEMICAL OR BIOLOGICAL CLEANERS.**