

Assembly Instruction

Tools Required: Flathead screwdriver, Phillips screwdriver, pliers, wire cutters, wire strippers, electrical tape, safety glasses.

Light Source: (3) A19 Medium Base Bulbs 100W Maximum or
(3) Medium Base Vintage bulbs are recommended but not supplied.

Estimated Assembly Time: 30-45 minutes

Preparation: Identify and inspect all parts before beginning installation. Check package content list and diagrams below to be sure all parts are present. If any parts are missing or damaged, do not attempt to assemble, install, or operate the fixture. Contact customer service for replacement parts.

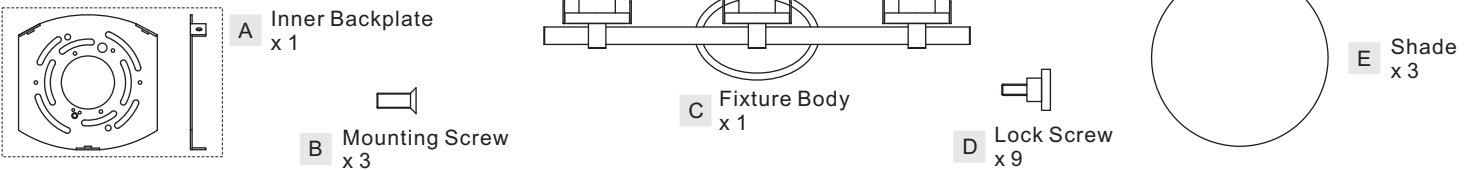
⚠ Warnings and Cautions

Turn off electricity at circuit breaker or main fuse box before installation. Consult a licensed electrician if in doubt.

These instructions are provided for your safety. It is very important you read them completely before installing the fixture. We strongly recommend that a licensed, professional electrician perform the installation.

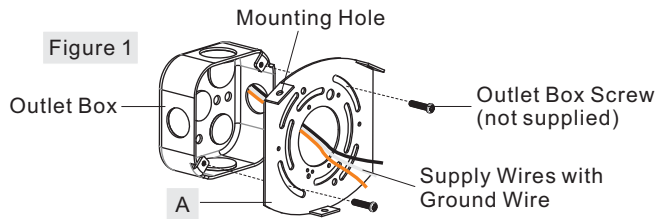
Disconnect fixture from power source before replacing bulbs. Make sure bulbs are given sufficient time to cool before removal.

Package Contents



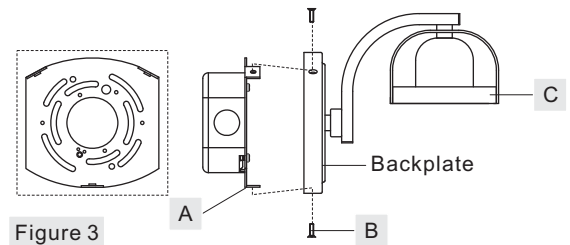
STEP 1 - Install Inner Backplate

- A. Pass the supply wires with ground wire through the Inner Backplate (A). Attach the Inner Backplate (A) to the Outlet Box with the (2) mounting holes on the top and (1) mounting hole on the bottom. Secure it with Outlet Box Screws (not included). Tighten until snug.



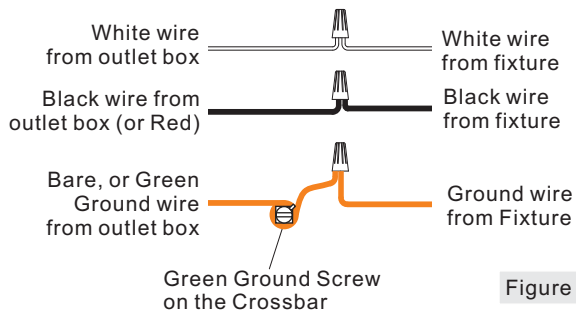
STEP 3 - Install Fixture Body

- A. Place the backplate and the Fixture Body (C) over the Inner Backplate (A) and secure with Mounting Screws (B). Hand tighten until snug with screwdrivers.



STEP 2 - Wire Connections

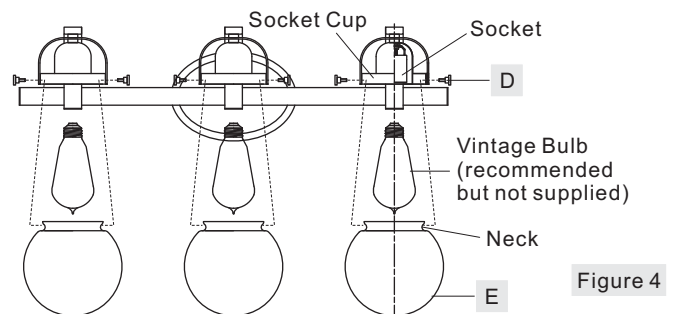
- A. Wrap bare or green ground wire around green ground screw on the crossbar, no less than 2 inches from the end of the wire. Tighten the green ground screw.
B. Use standard wire connectors (not included) to make all wire connections. Twist connectors until wires are tightly joined together. Wrap each connection with approved electrical tape and carefully stuff all the connected wires into the Outlet Box.



STEP 4 - Install Bulb and Shade

- A. Insert bulb onto socket and screw snugly into place.
B. Place the Shade (E) onto the socket cup and secure by threading Lock Screws (D) onto the socket cup until the neck of the Shade (E) is engaged by Lock Screws (D). Carefully released your hands until all Lock Screws (D) screw snugly in place.

Your fixture is now assembled and ready to use. Enjoy!



NOTE: ALL DIMENSIONS ARE ROUNDED UP TO THE NEAREST 1/4"

FINISH: EARTH BLACK

