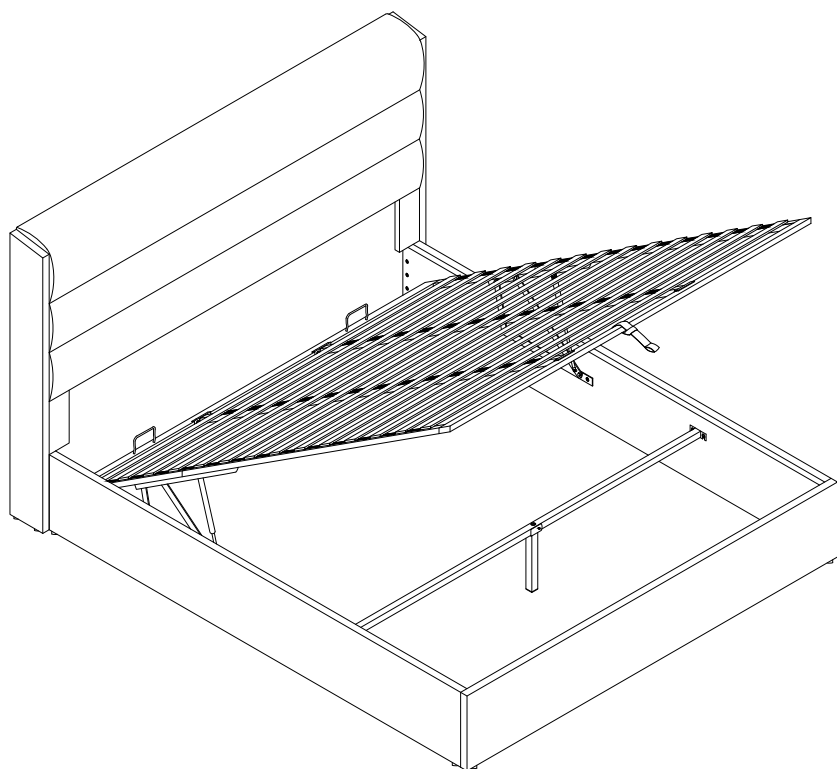


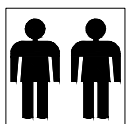
# ASSEMBLY INSTRUCTION



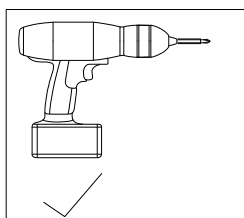
Please **TEAR OFF** this shrink film from side!  
**DO NOT USE CUTTER!**

## IMPORTANT NOTE

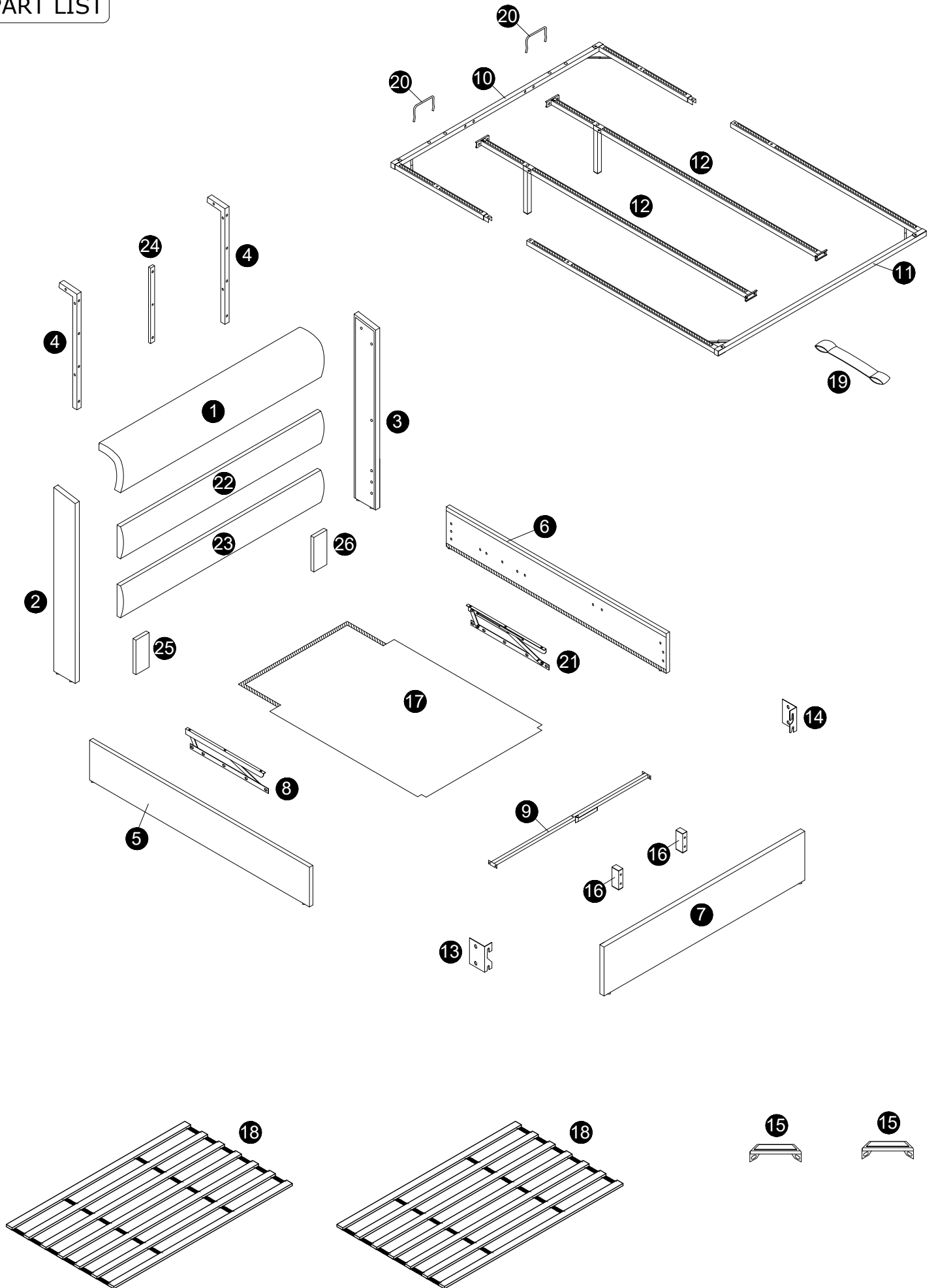
1. FOR THE PROTECTION OF YOUR FURNITURE, PLACE ALL PARTS ON A CLEAN AND SMOOTH SURFACE TO PREVENT ANY DAMAGE.
2. KEEP FITTINGS OUT OF CHILDREN'S REACH AND KEEP CHILDREN WELL AWAY FROM CONSTRUCTION AREA.
3. WHEN MOVING YOUR ASSEMBLED BED. IT IS BEST TO LIFT THE BED AND NEVER TO DRAG IT.
4. DO NOT USE THIS PRODUCT IF PARTS ARE MISSING, DAMAGED OR WORN.
5. THIS PRODUCT SHOULD ONLY BY USED ON FIRM, LEVEL GROUND.
6. PLEASE PERIODICALLY CHECK ALL FITTINGS AND RE-TIGHTEN AS NECESSARY.
7. DO NOT USE THE BED UNLESS ALL BOLTS AND SCREWS ARE FIRMLY SECURED.
8. NEED PARTS OR ASSISTANCE?



Minimum two  
person assembly

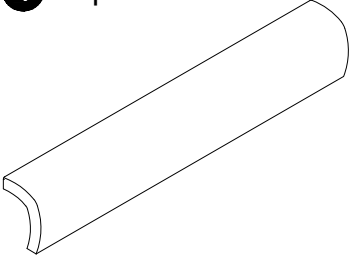


PART LIST



PART LIST

1 x 1pc



2 x 1pc



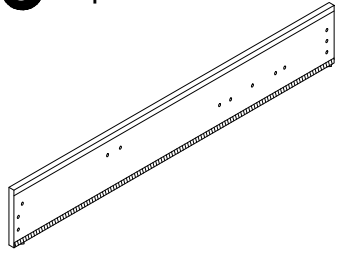
3 x 1pc



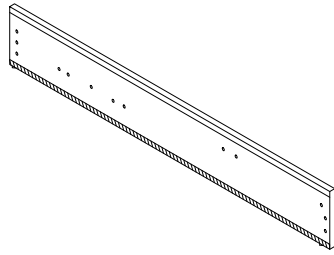
4 x 2pcs



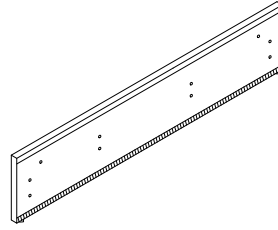
5 x 1pc



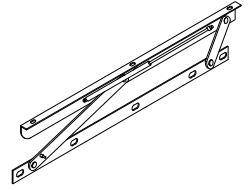
6 x 1pc



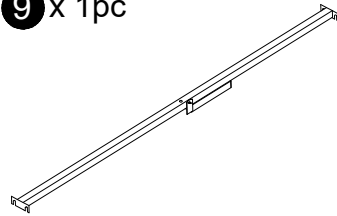
7 x 1pc



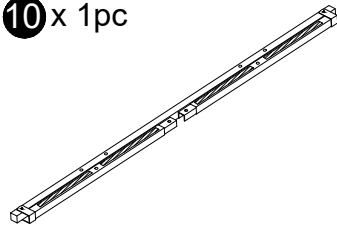
8 x 1pc



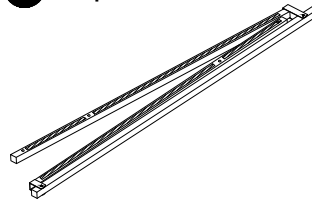
9 x 1pc



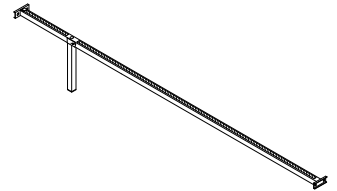
10 x 1pc



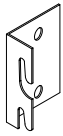
11 x 1pc



12 x 2pcs



13 x 1pc



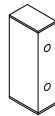
14 x 1pc



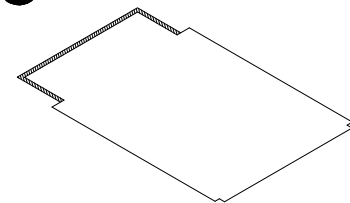
15 x 2pcs



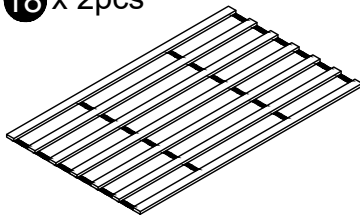
16 x 2pcs



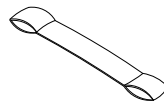
17 x 1pc



18 x 2pcs



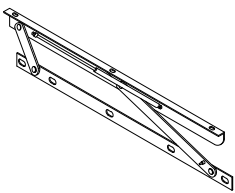
19 x 1pc



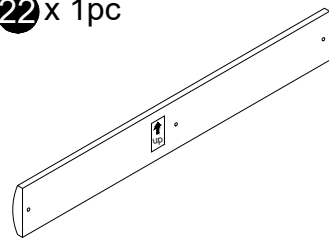
20 x 2pcs



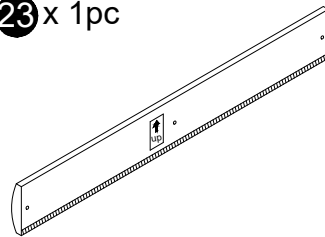
21 x 1pc



22 x 1pc



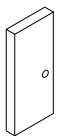
23 x 1pc



24 x 1pc



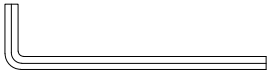
25 x 1pc



26 x 1pc



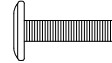
# HARDWARE LIST



**H1** M5 x 1pc



**H2** M8x25mm x 34pcs



**H3** M8x35mm x 3pcs



**H4** M8x60mm x 4pcs



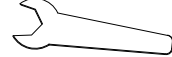
**H5** M8 x 24pcs



**H6** M8x22mm x 31pcs



**H7** M8 x 6pcs

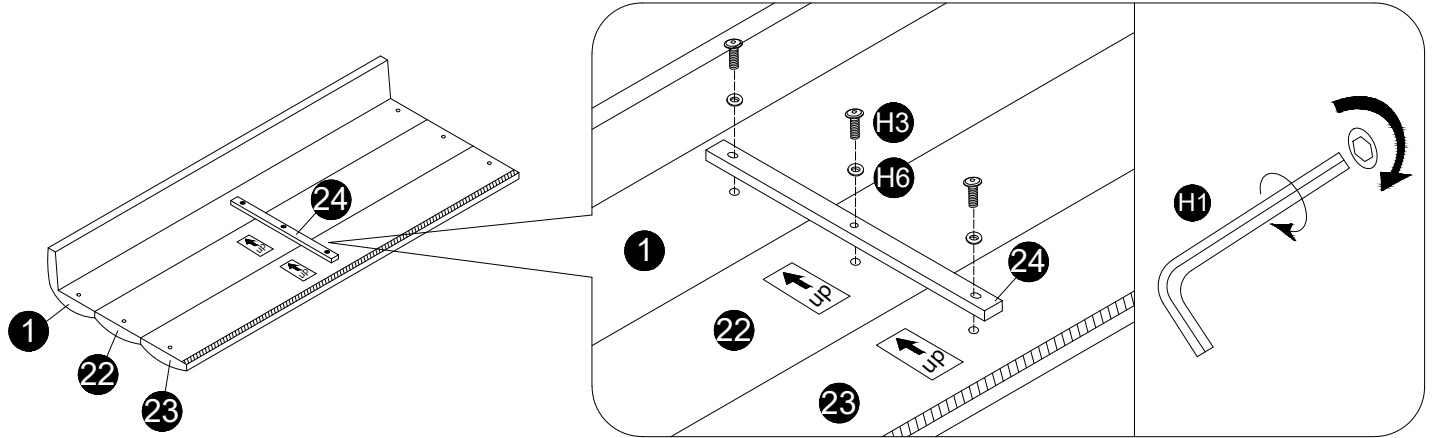


**H8** M14 x 1pc

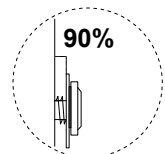
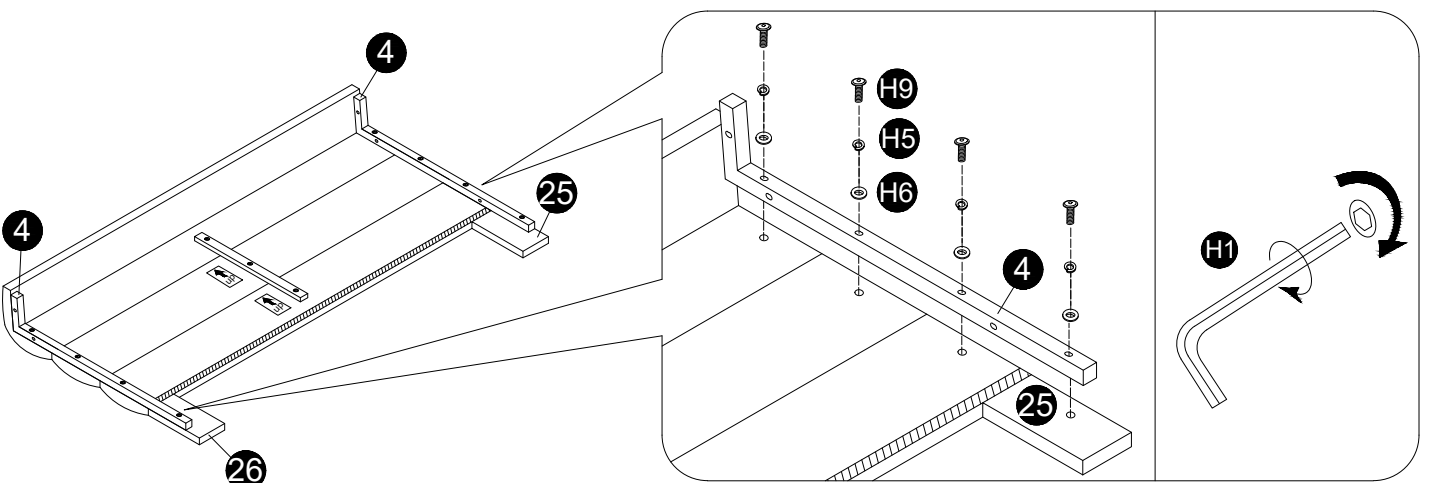


**H9** M8x50mm x 29pcs

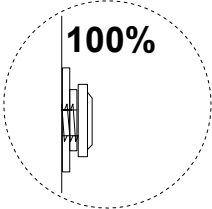
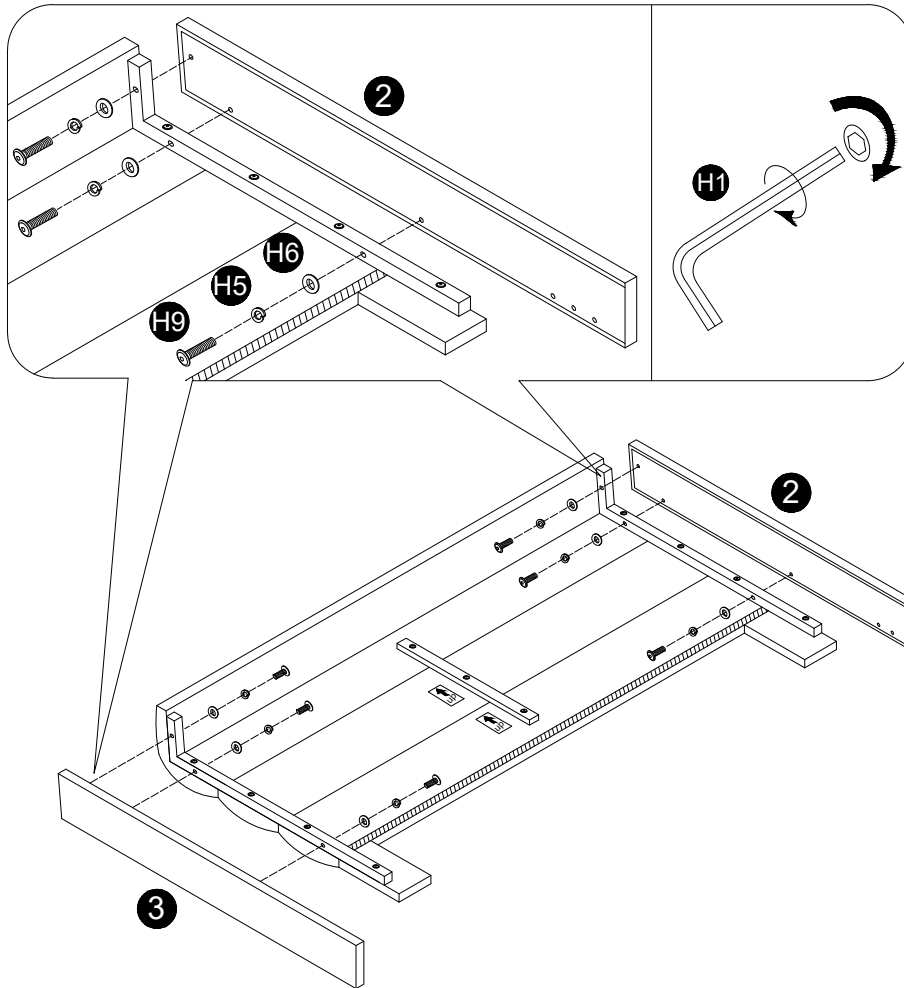
**1**



**2**

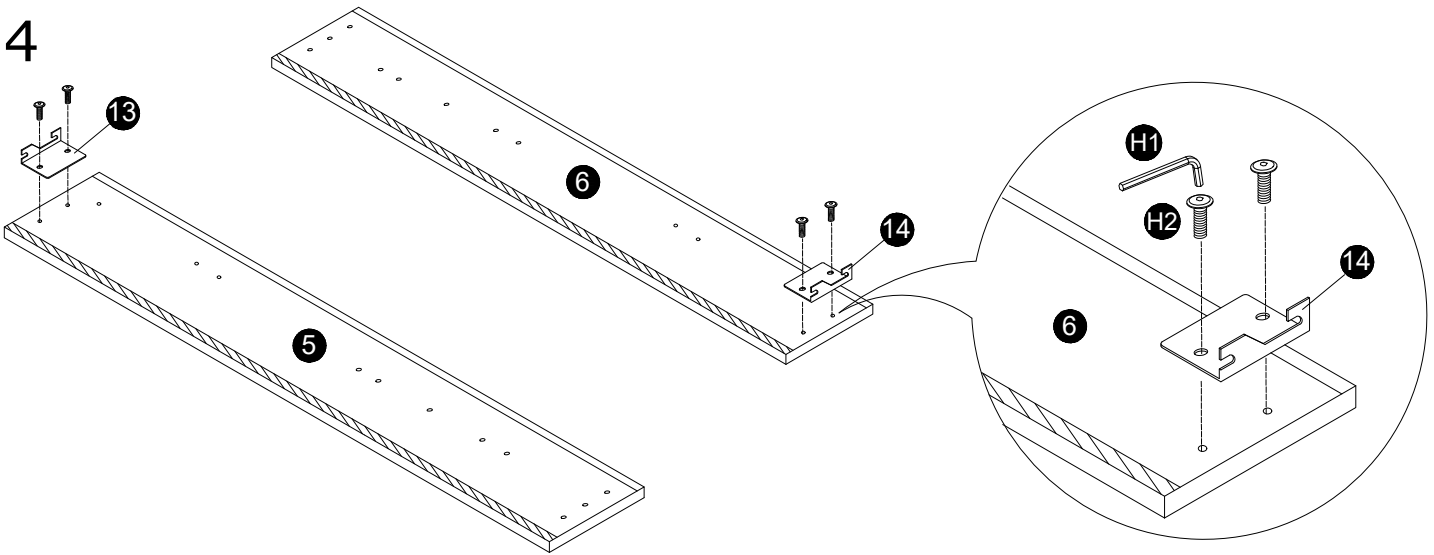


3

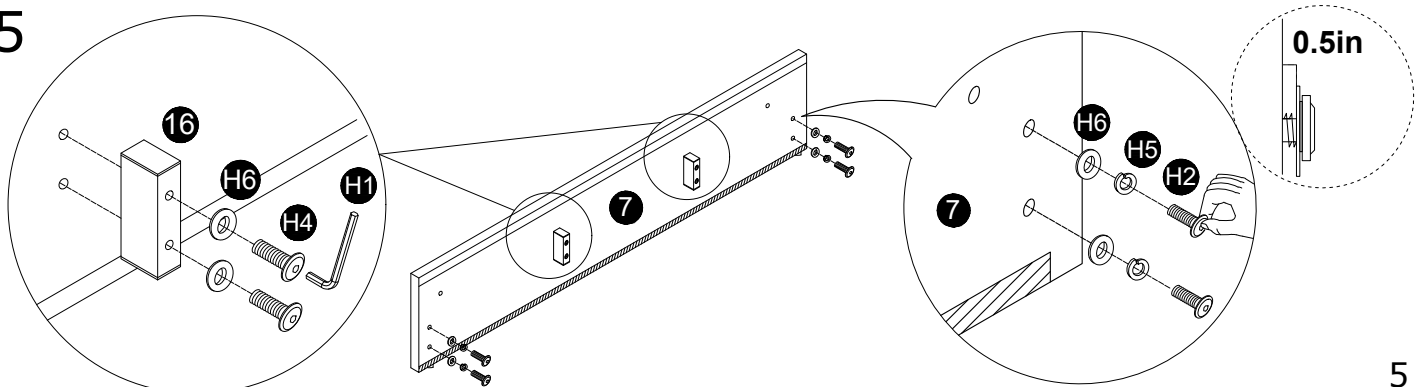


Please fully tighten step 2 all fixings before go to next step.

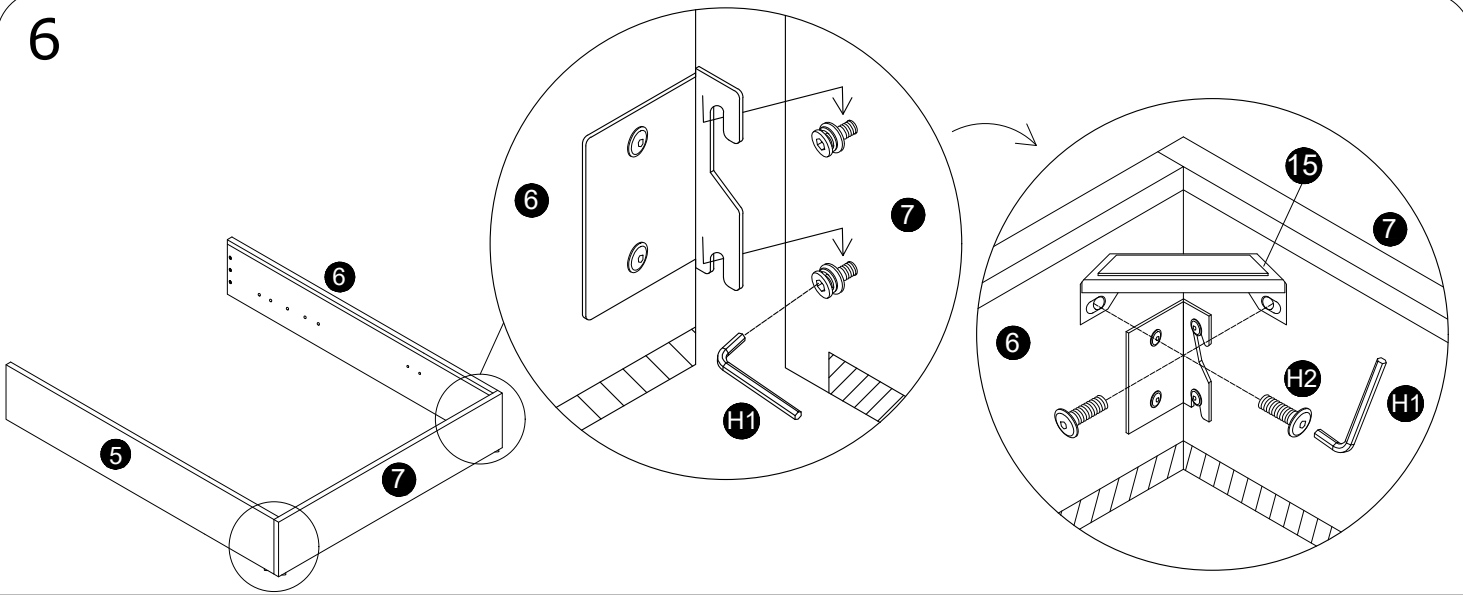
4



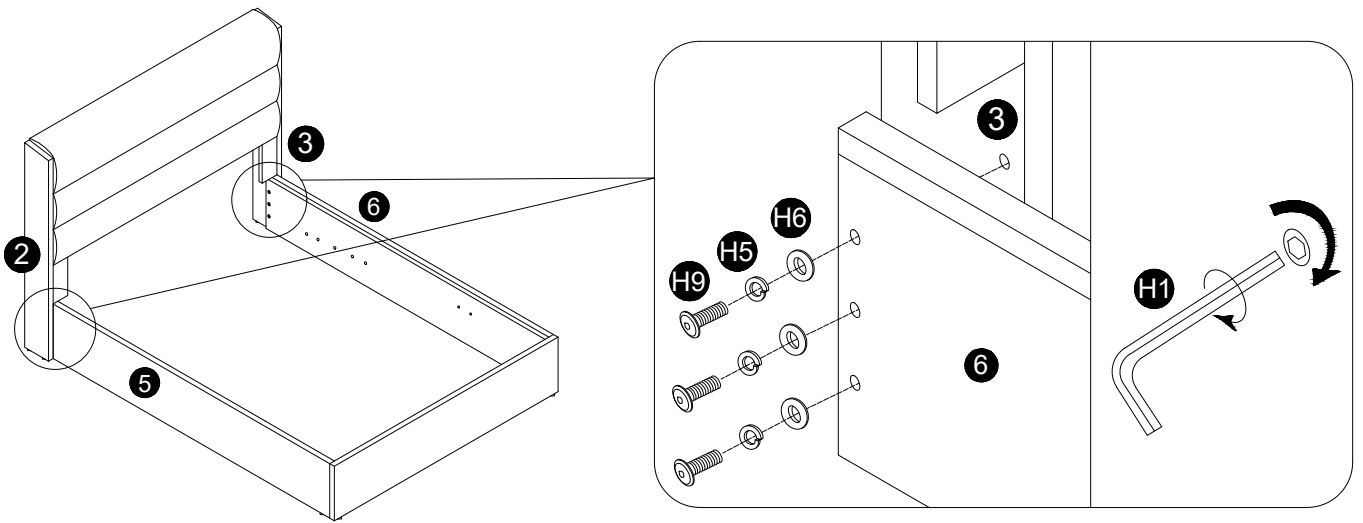
5



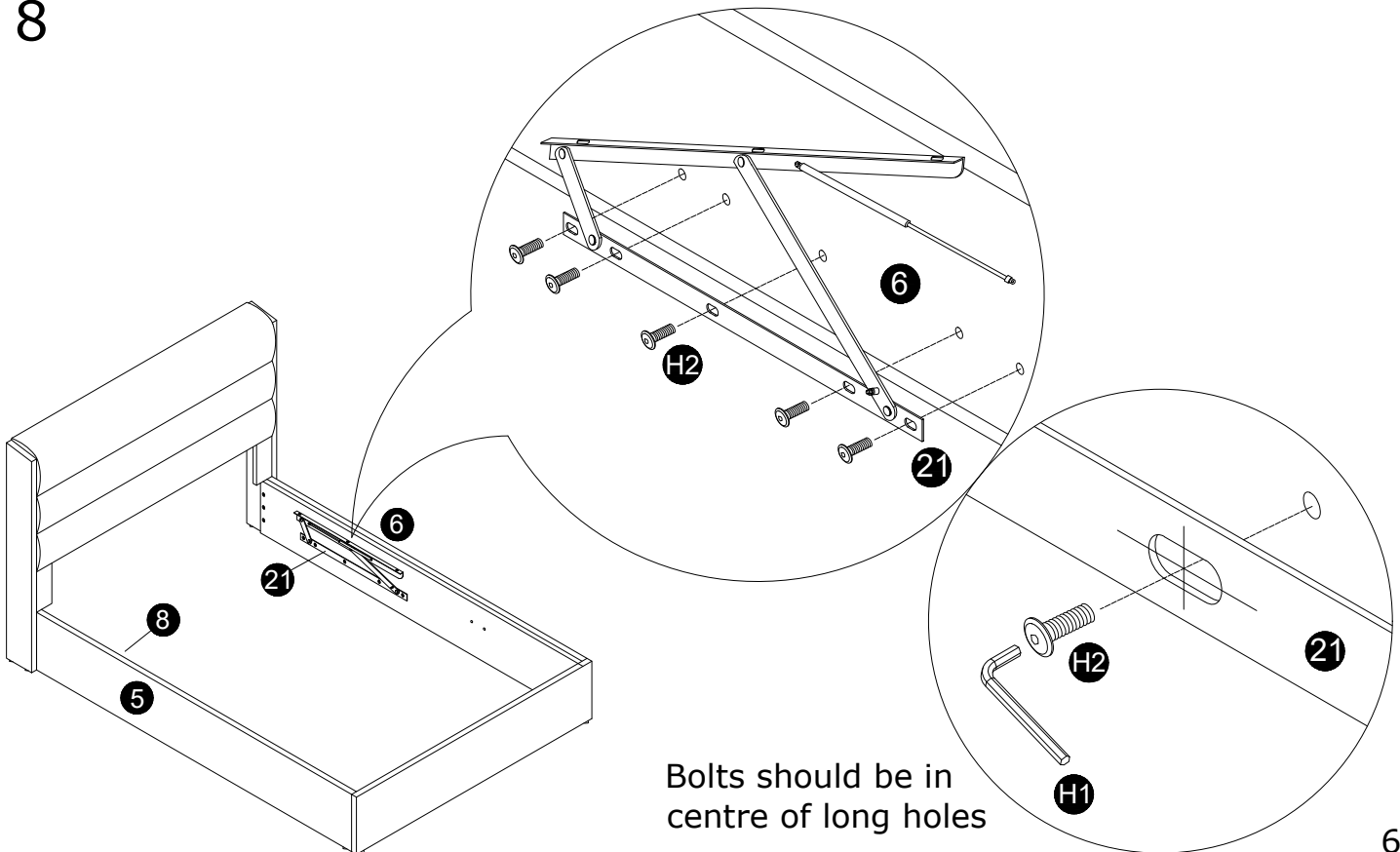
6



7



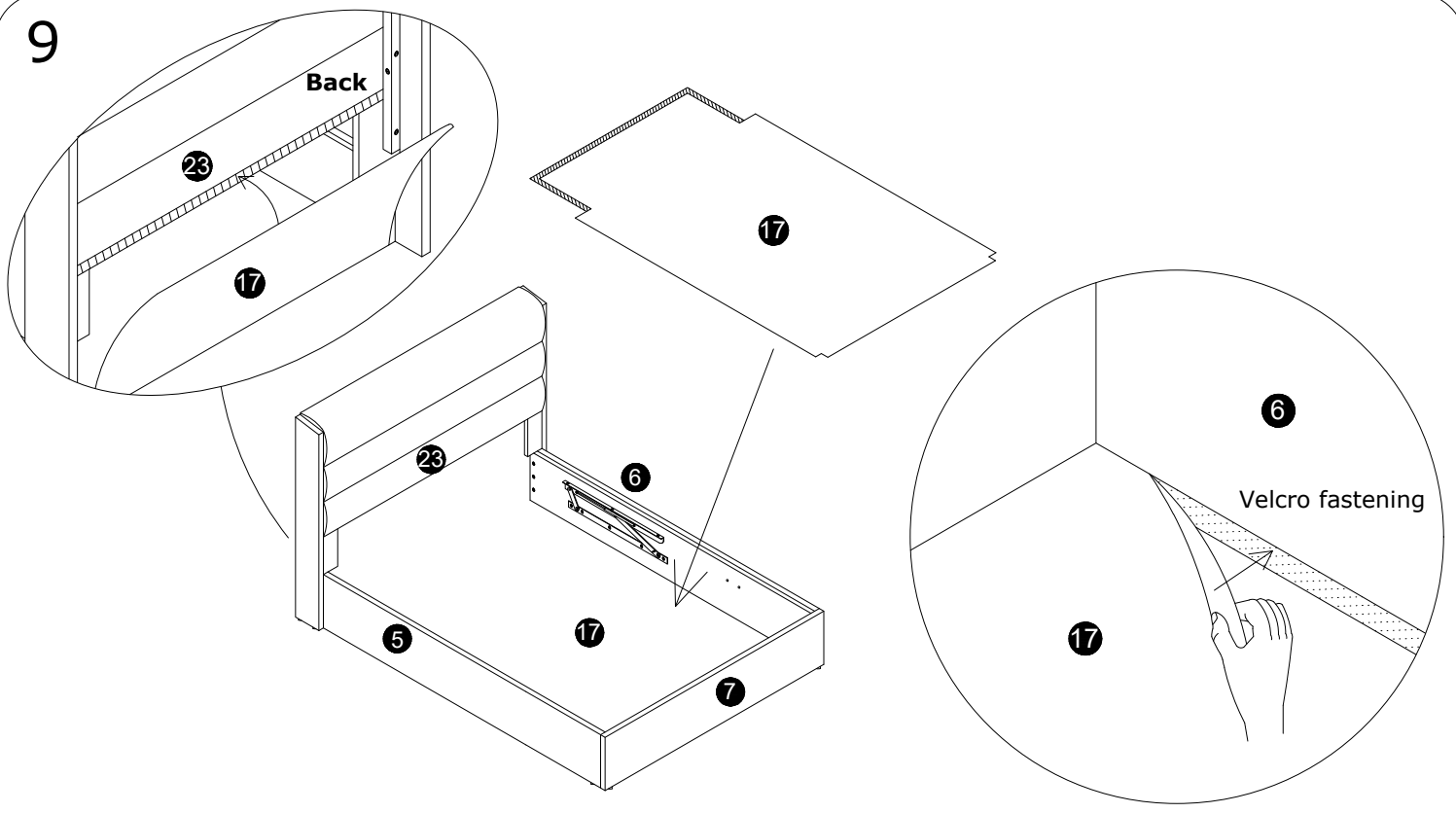
8



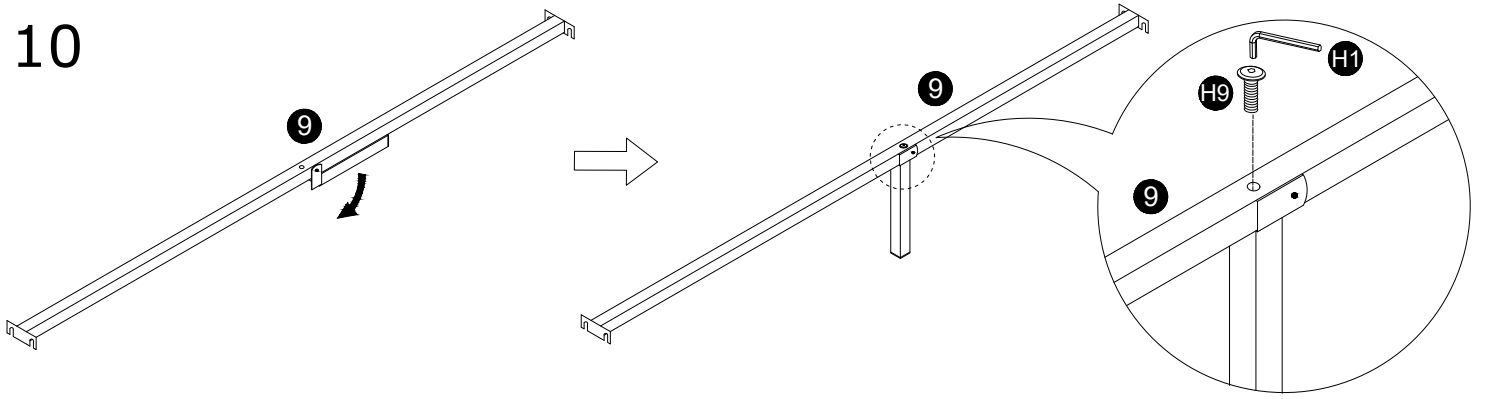
Bolts should be in centre of long holes

9

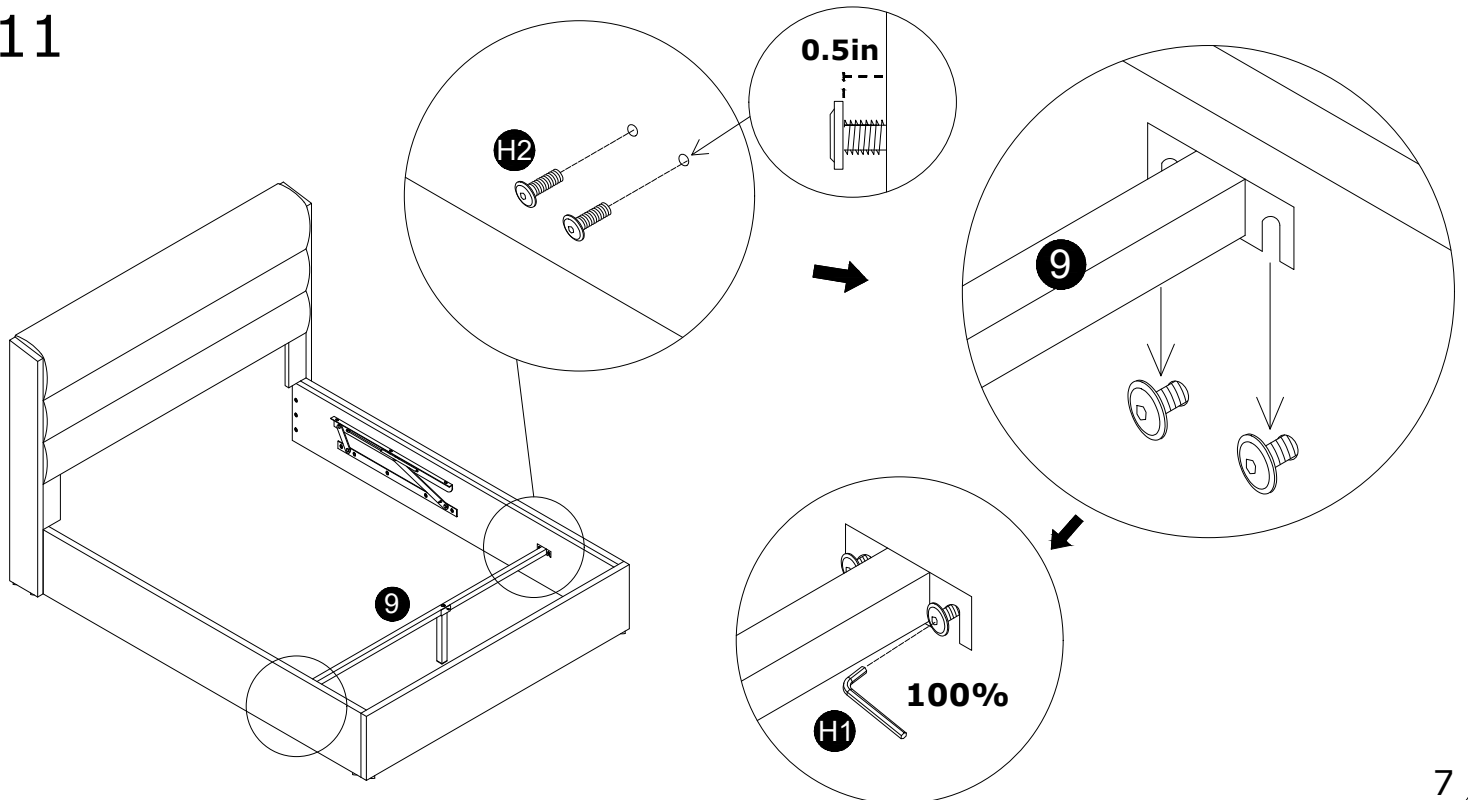
Back



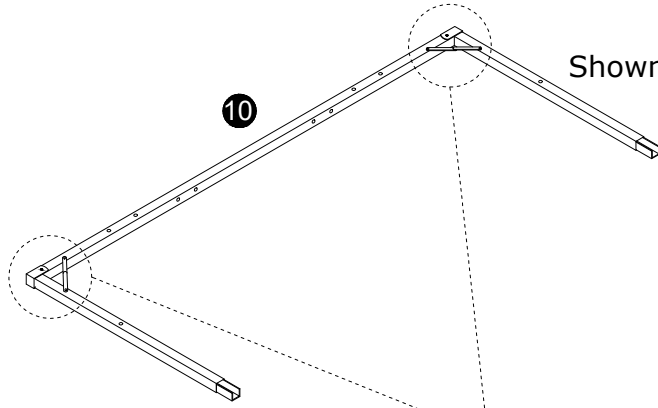
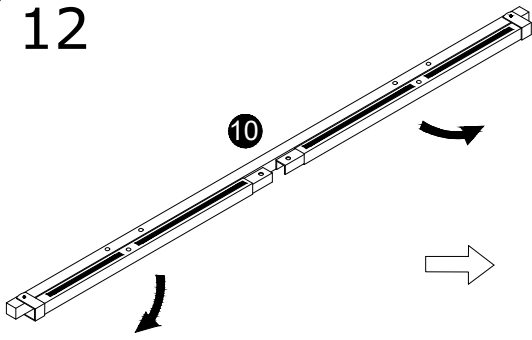
10



11

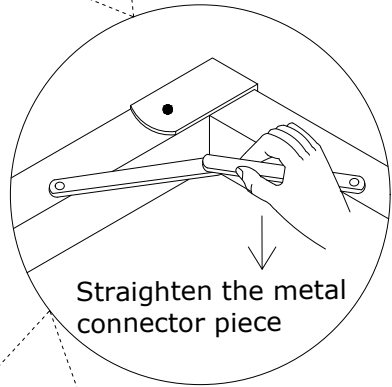


12

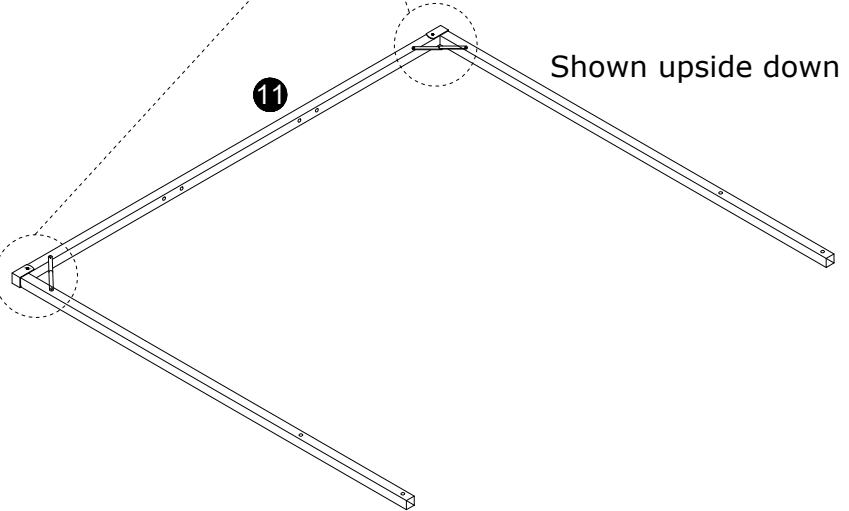
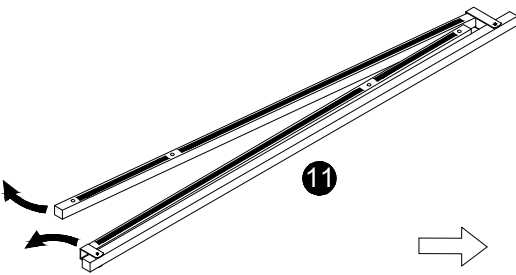


Shown upside down

BEWARE OF CLAMP HAND

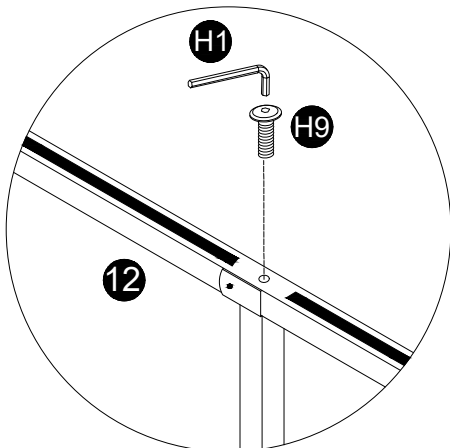
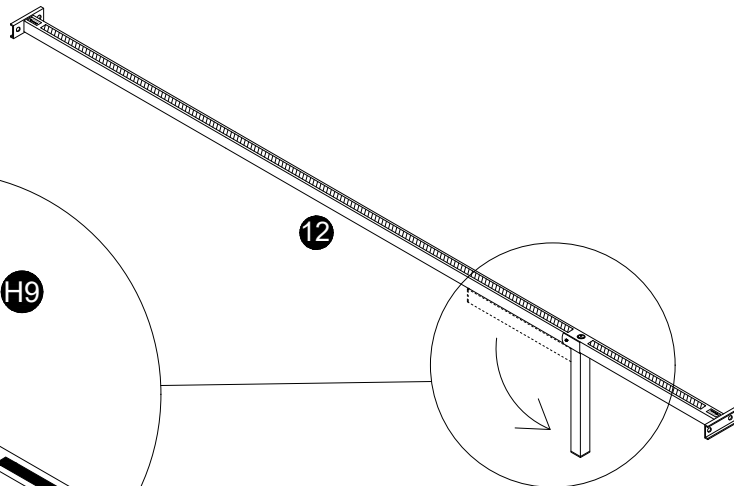


Straighten the metal connector piece

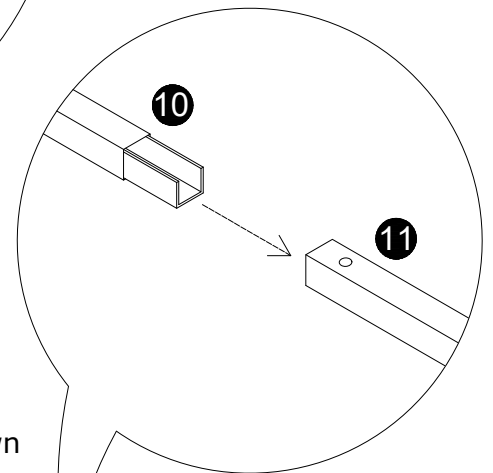
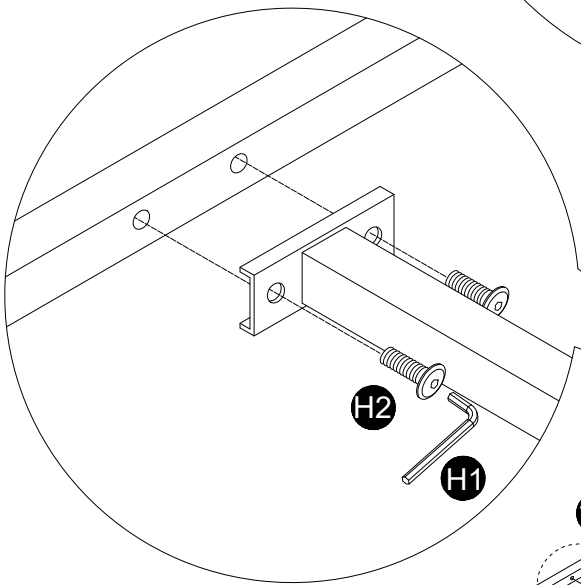
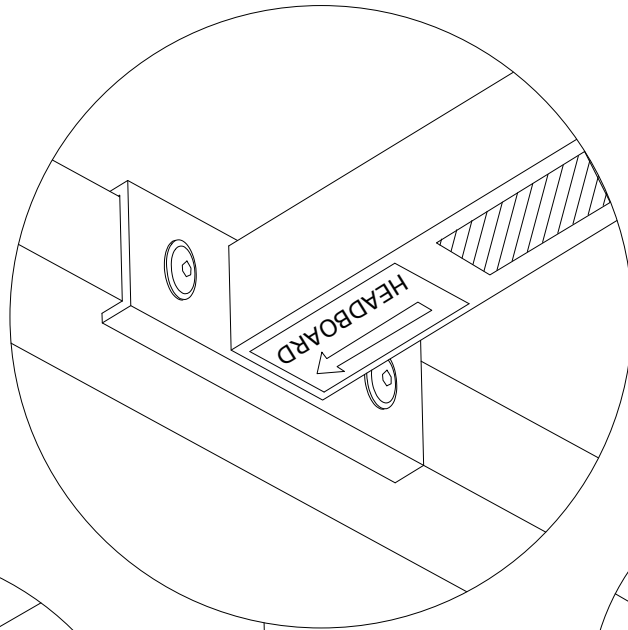


Shown upside down

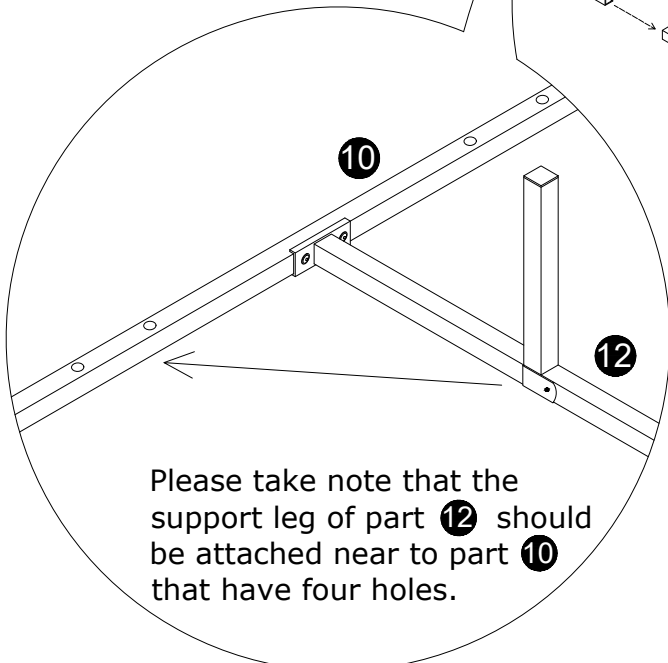
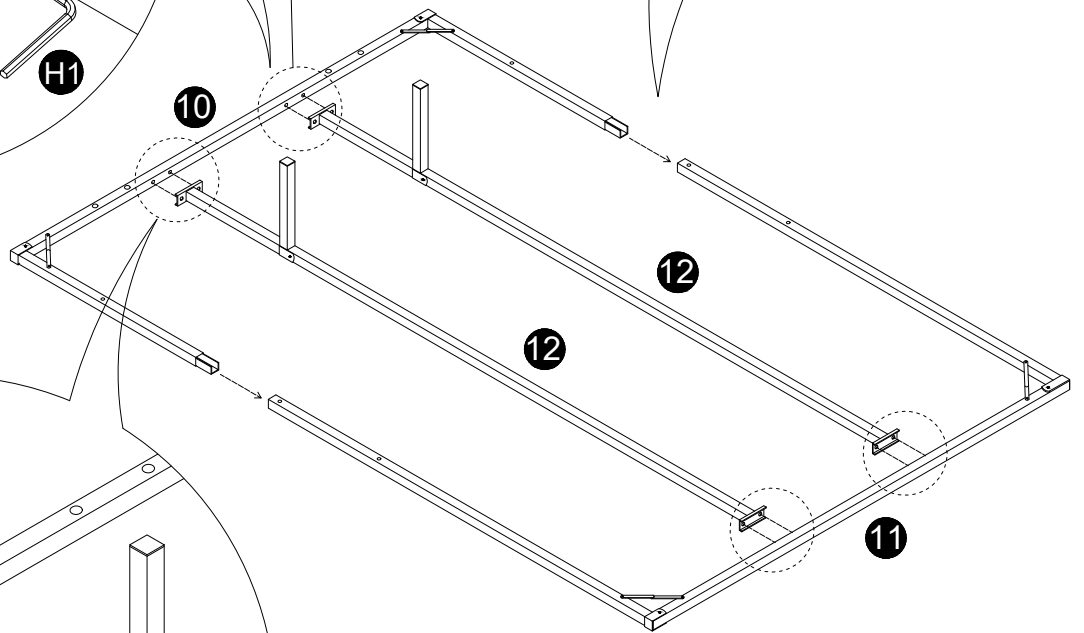
13



x2

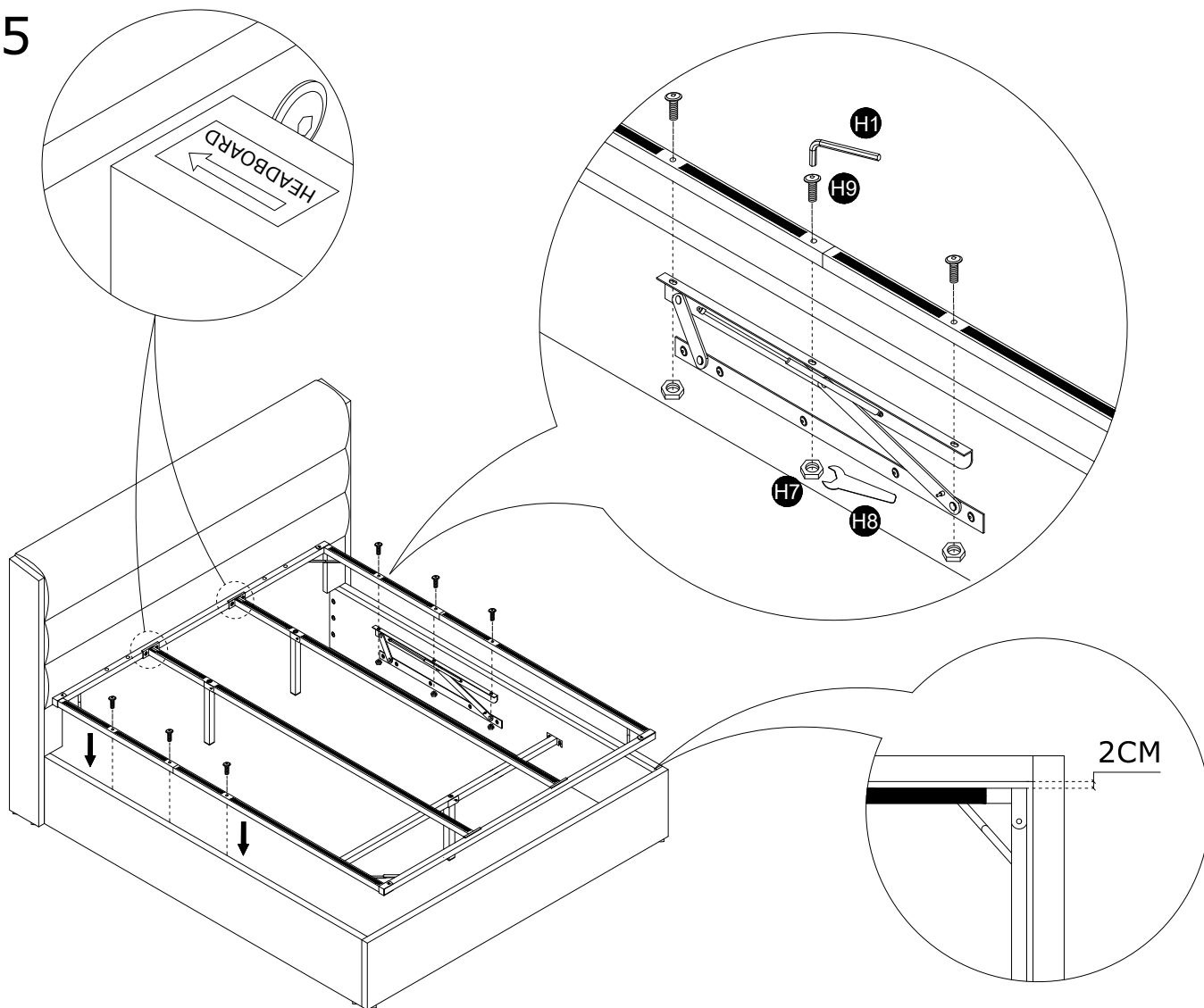


Shown upside down



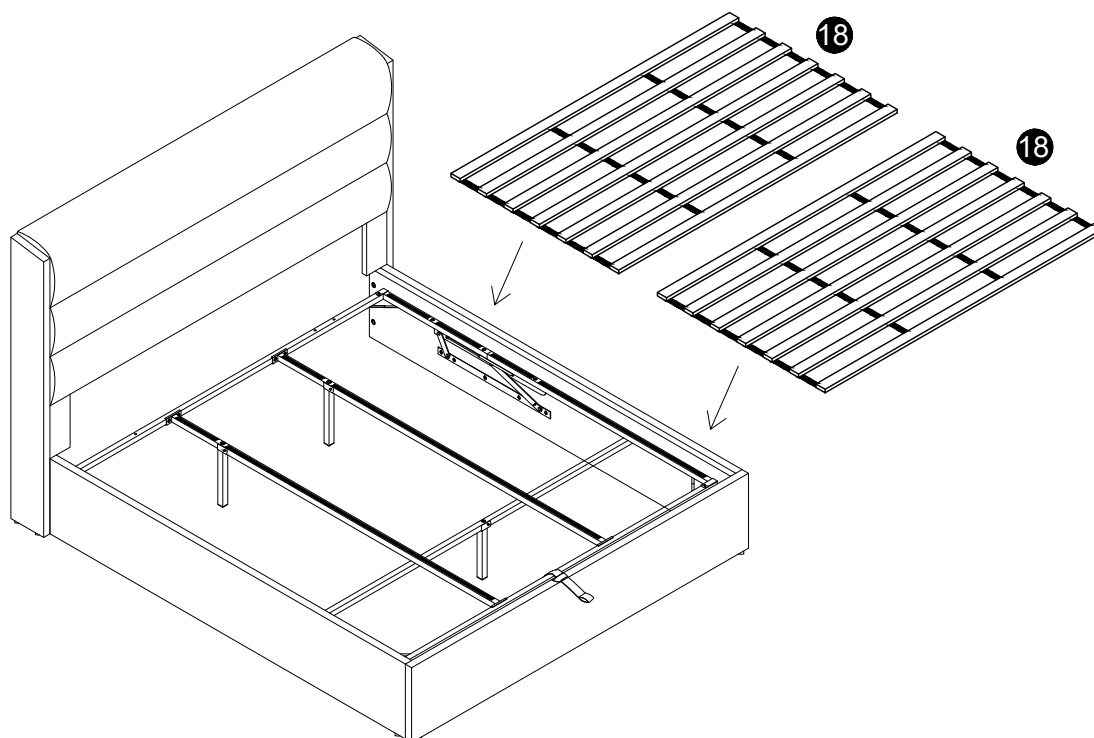
Please take note that the support leg of part 12 should be attached near to part 10 that have four holes.

15

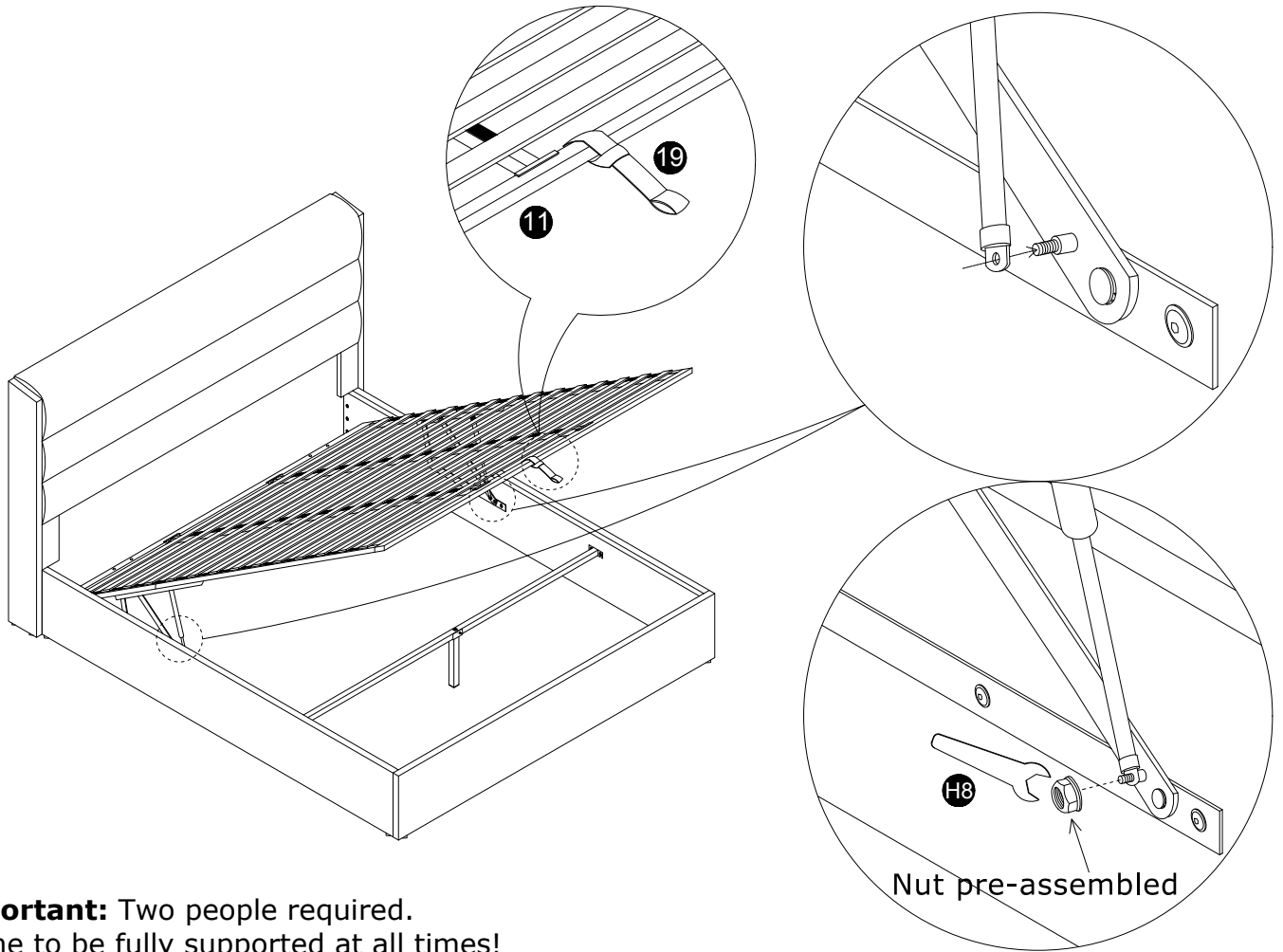


**Beware of risk of entrapment  
from folding hinges!**

16

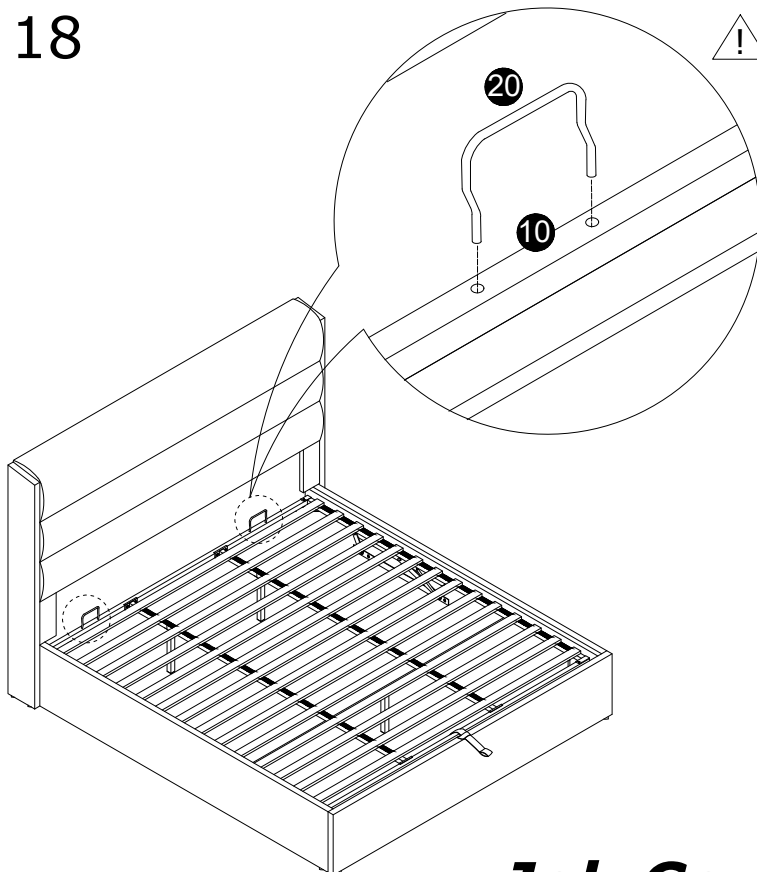


17

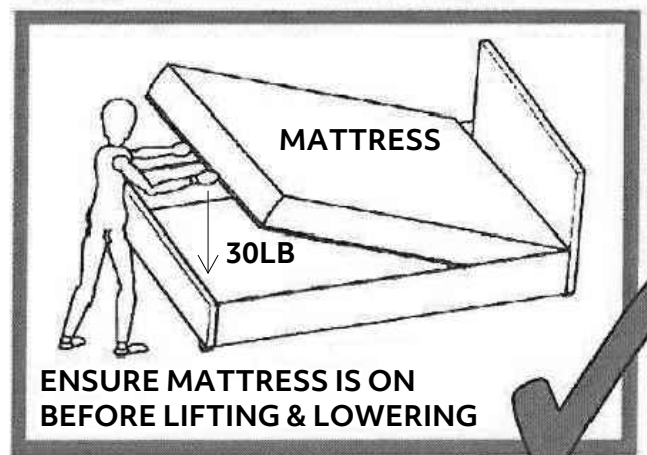


**Important:** Two people required.  
Frame to be fully supported at all times!

18



Only lift when the mattress is in place.  
Place mattress & Carefully lower frame down.  
Keep objects/body part & children away from  
moving parts.



**Job Complete !**

*In the interest of our environment please dispose of all packaging thoughtfully.*